



US00D699802S

(12) **United States Design Patent**
Kim et al.

(10) **Patent No.:** **US D699,802 S**
(45) **Date of Patent:** **** Feb. 18, 2014**

(54) **SKATEBOARD**

(75) Inventors: **Hyouon Chol Kim**, Seoul (KR); **Myeong Gon Kim**, Incheon (KR)

(73) Assignees: **Mediwide Co., Ltd.**, Bucheon-si (KR);
Myeong Gon Kim, Incheon (KR)

(**) Term: **14 Years**

(21) Appl. No.: **29/431,288**

(22) Filed: **Sep. 5, 2012**

(30) **Foreign Application Priority Data**

Mar. 8, 2012 (KR) 30-2012-0011175

(51) **LOC (10) Cl.** **21-02**

(52) **U.S. Cl.**

USPC **D21/765**

(58) **Field of Classification Search**

USPC D21/419, 421, 423, 426, 662, 760, 765,
D21/766, 769, 771, 776, 803; D12/1;
280/7.14, 11.115, 11.19, 11.27, 11.28,
280/14.21, 79.11, 79.2, 87.01, 87.021,
280/87.03, 87.041, 87.042, 607, 608, 609,
280/809; 180/180, 181; 434/247, 253, 258;
D34/23, 28

See application file for complete search history.

(56) **References Cited**

U.S. PATENT DOCUMENTS

D214,252	S	*	5/1969	Andersen	D21/765
D395,479	S	*	6/1998	Gamzo	D21/765
6,767,264	B2	*	7/2004	Mercer	441/65
D504,930	S	*	5/2005	Joung et al.	D21/765
D505,469	S	*	5/2005	Joung et al.	D21/765
D513,353	S	*	12/2005	Pederson	D34/28
D610,643	S	*	2/2010	Chen	D21/764
2002/0158437	A1	*	10/2002	Carbonero	280/87.041
2013/0001916	A1	*	1/2013	Orenstein et al.	280/200

* cited by examiner

Primary Examiner — Cynthia M Chin

(74) *Attorney, Agent, or Firm* — Osha Liang LLP

(57) **CLAIM**

The ornamental design for a skateboard, as shown and described.

DESCRIPTION

FIG. 1 shows a perspective view of a skateboard according to our invention.

FIG. 2 shows a front elevational view thereof.

FIG. 3 shows a rear elevational view thereof.

FIG. 4 shows a left side elevational view thereof.

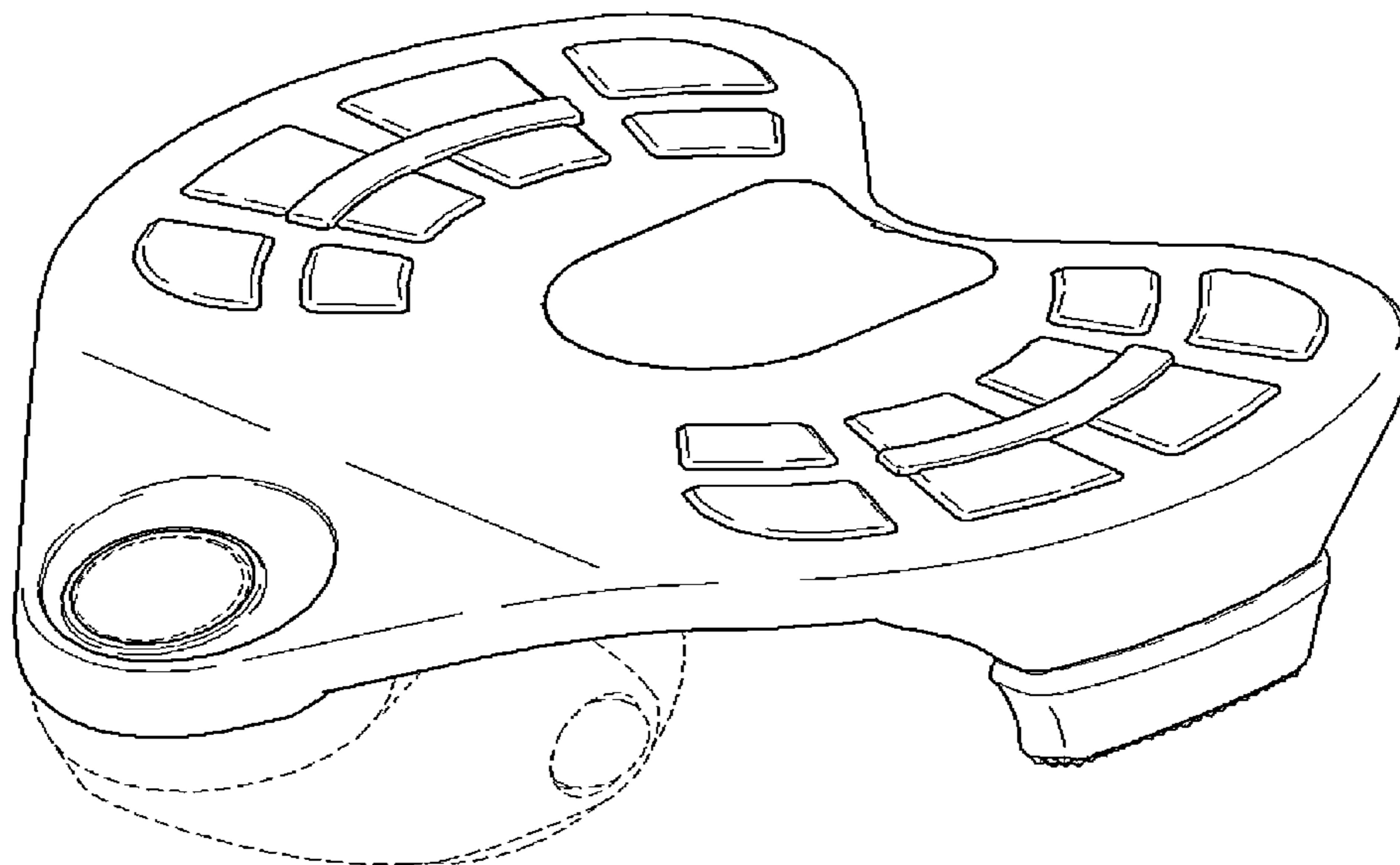
FIG. 5 shows a right side elevational view thereof.

FIG. 6 shows a top plan view thereof; and,

FIG. 7 shows a bottom plan view thereof.

The broken lines represent portions of the article that form no part of the claim.

1 Claim, 5 Drawing Sheets



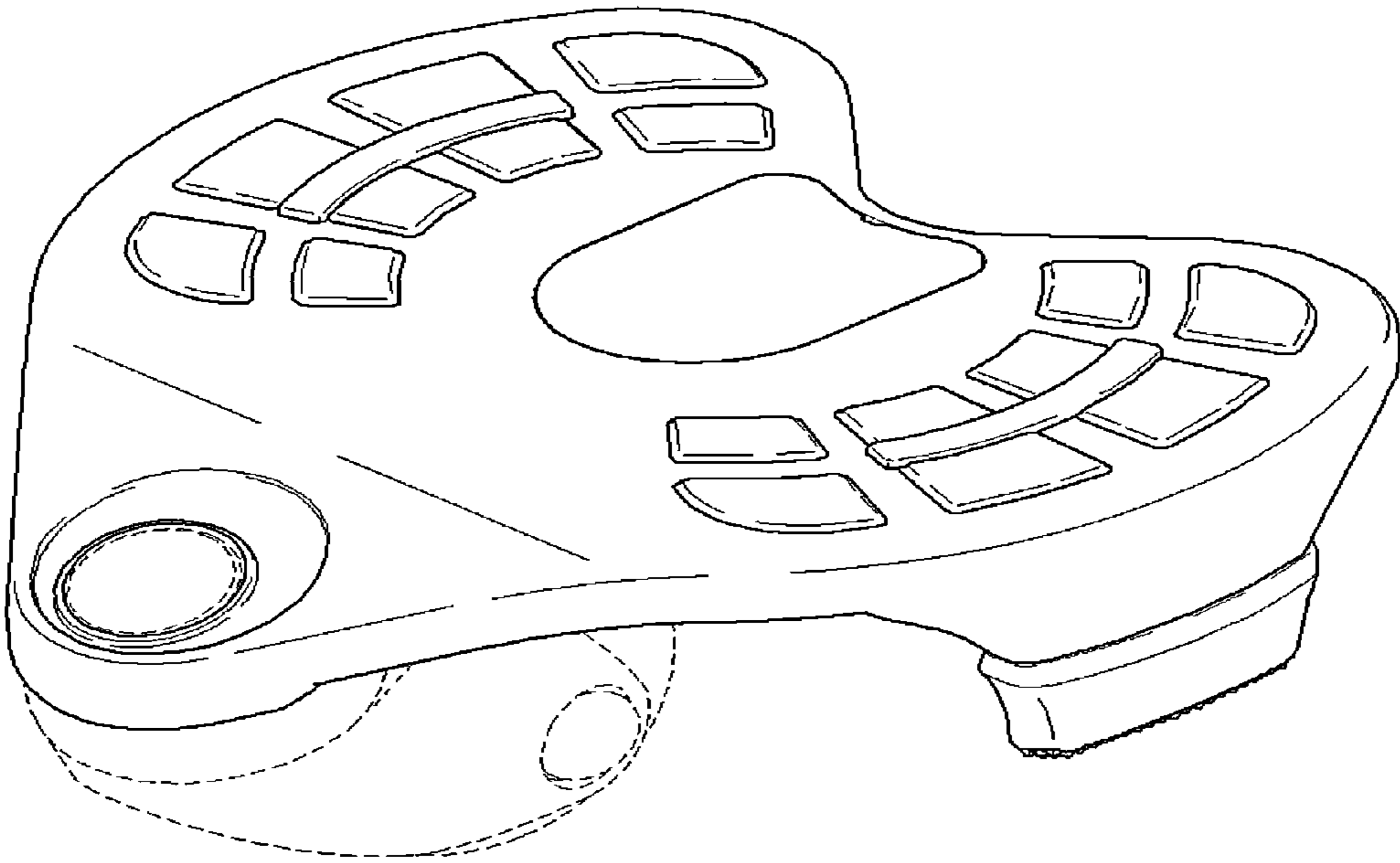


FIG. 1

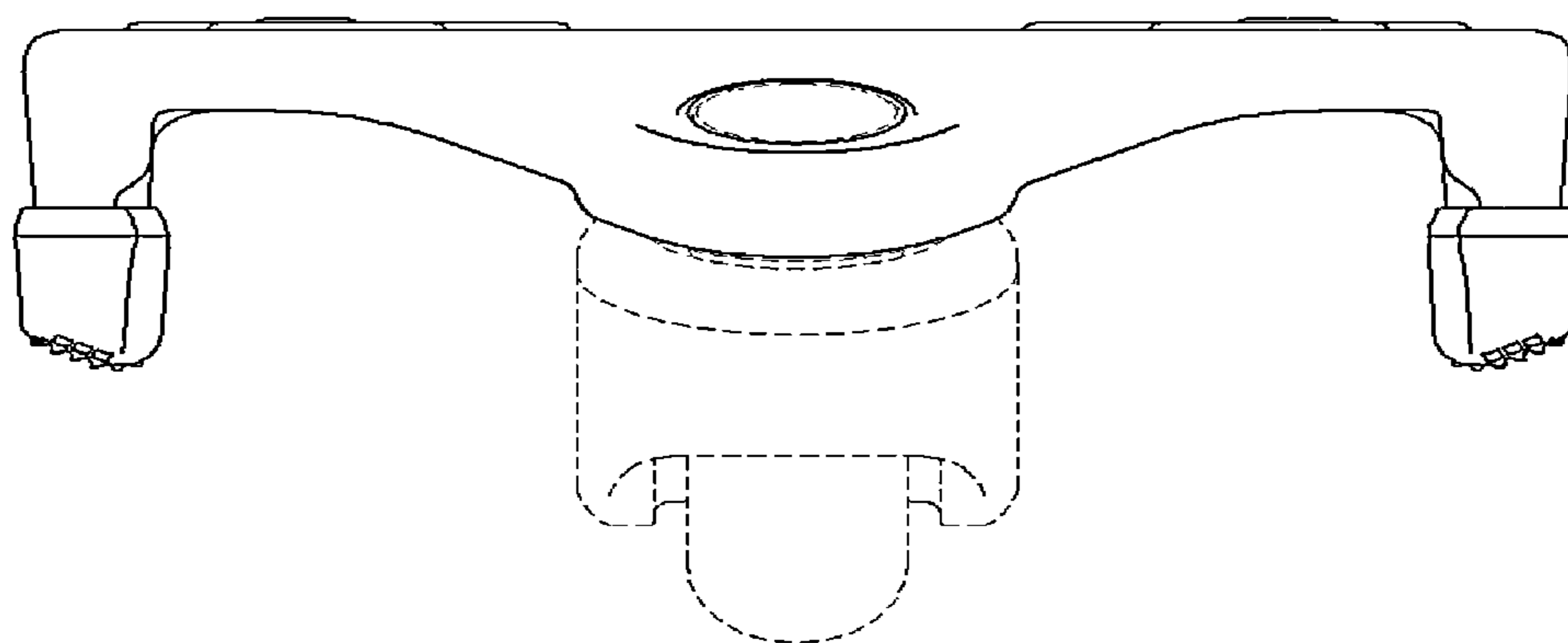


FIG. 2

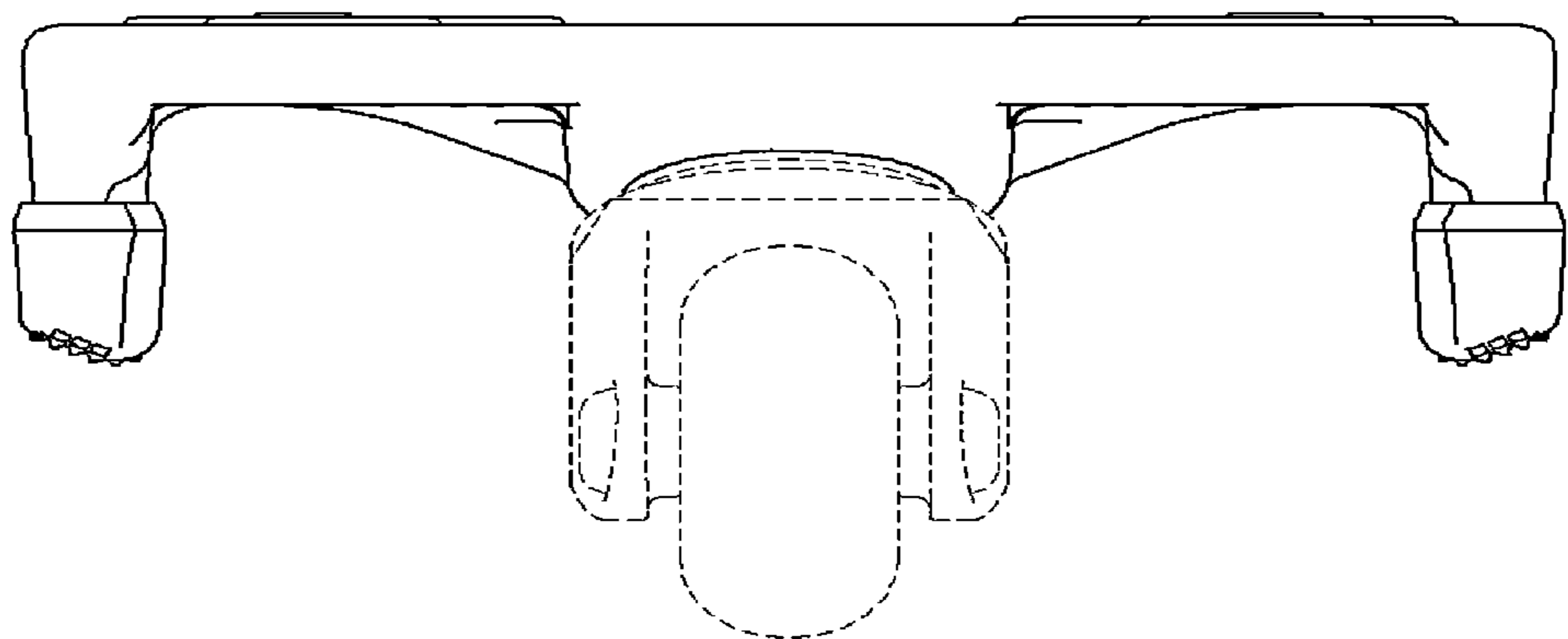


FIG. 3

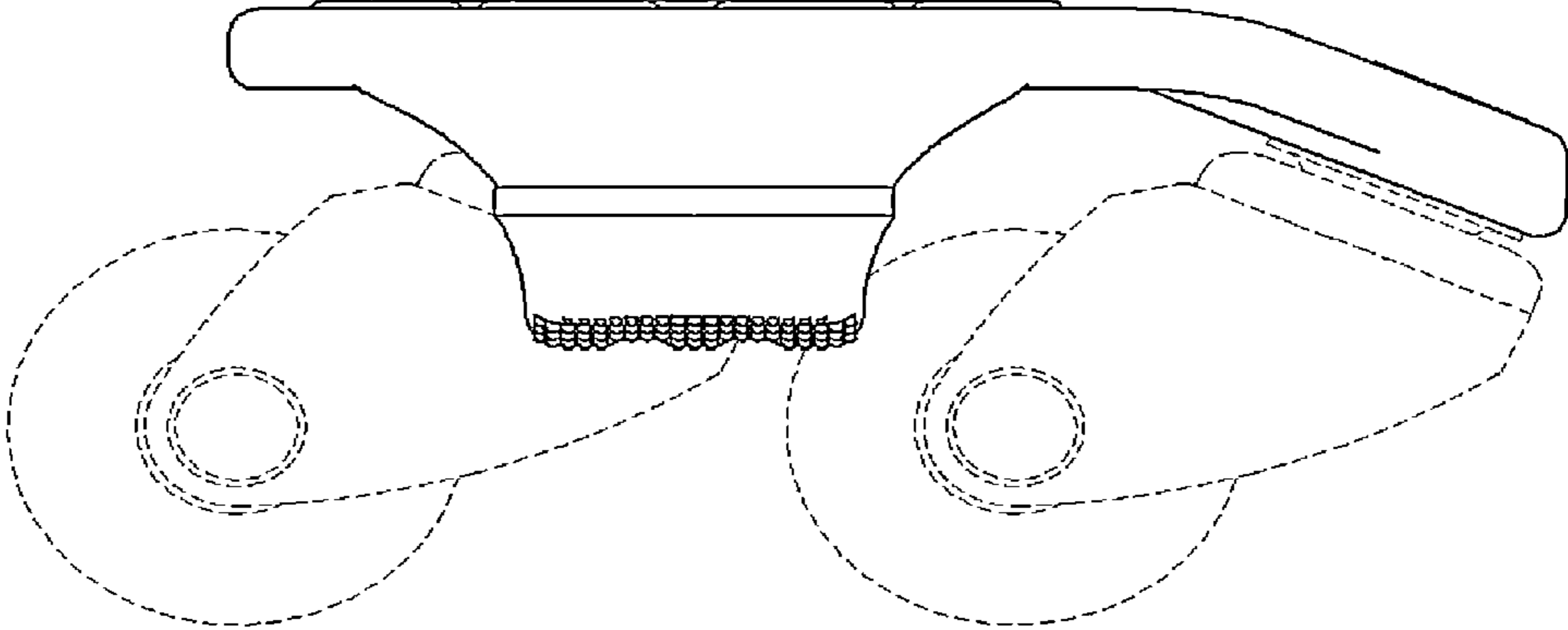


FIG. 4

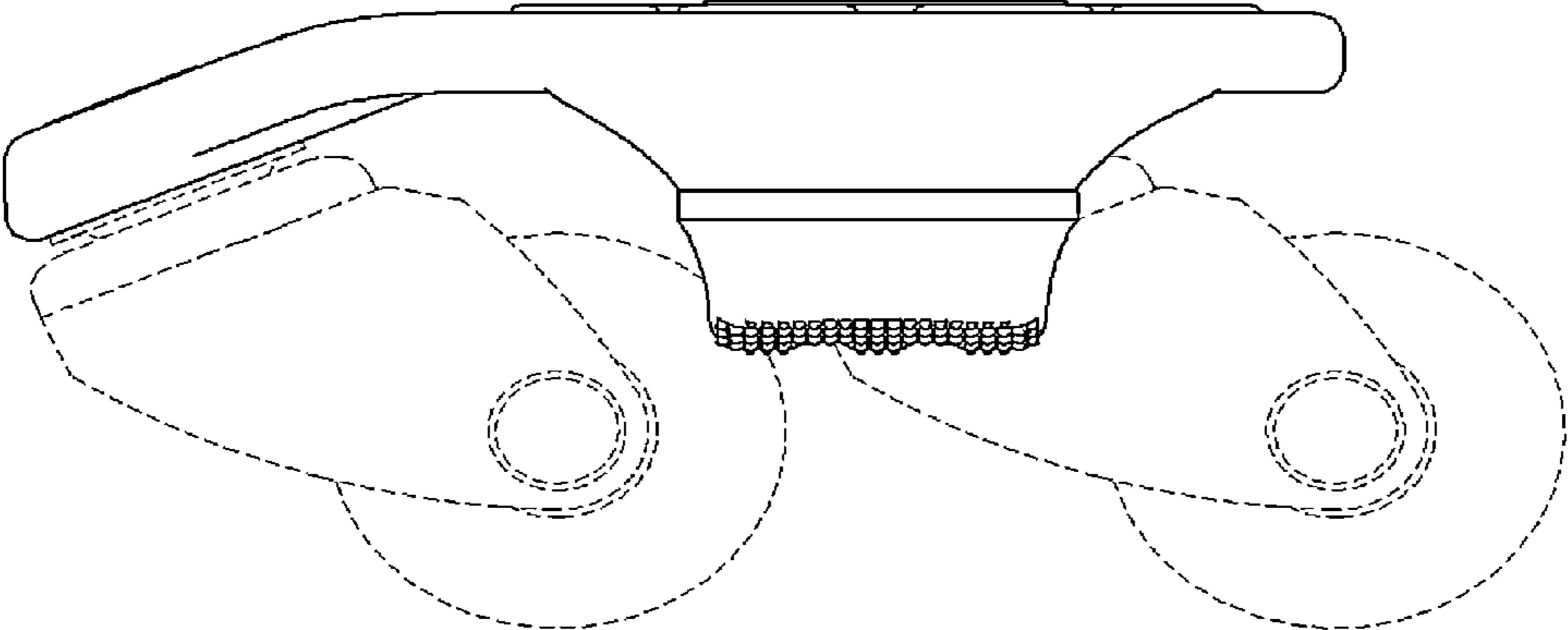


FIG. 5

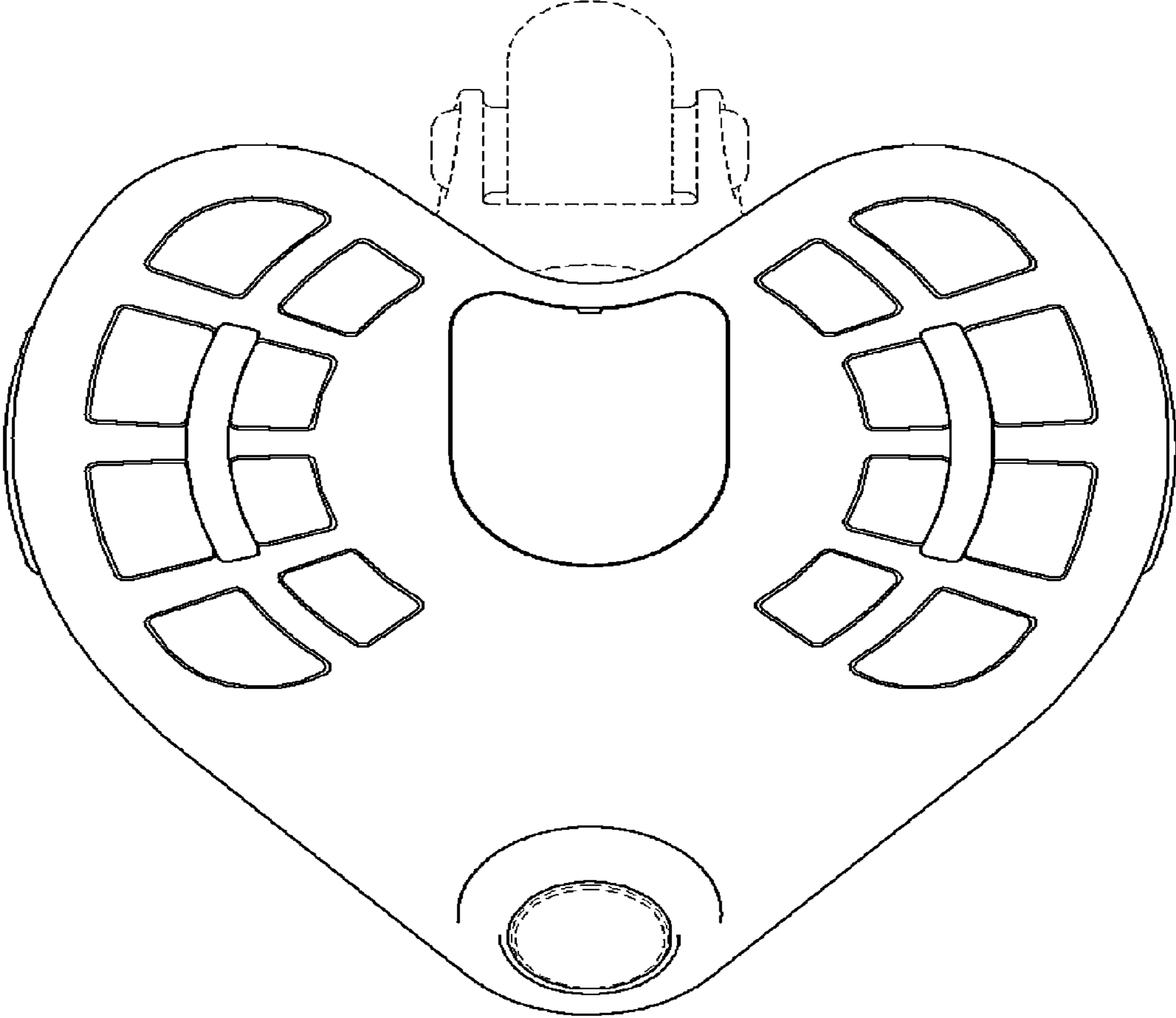


FIG. 6

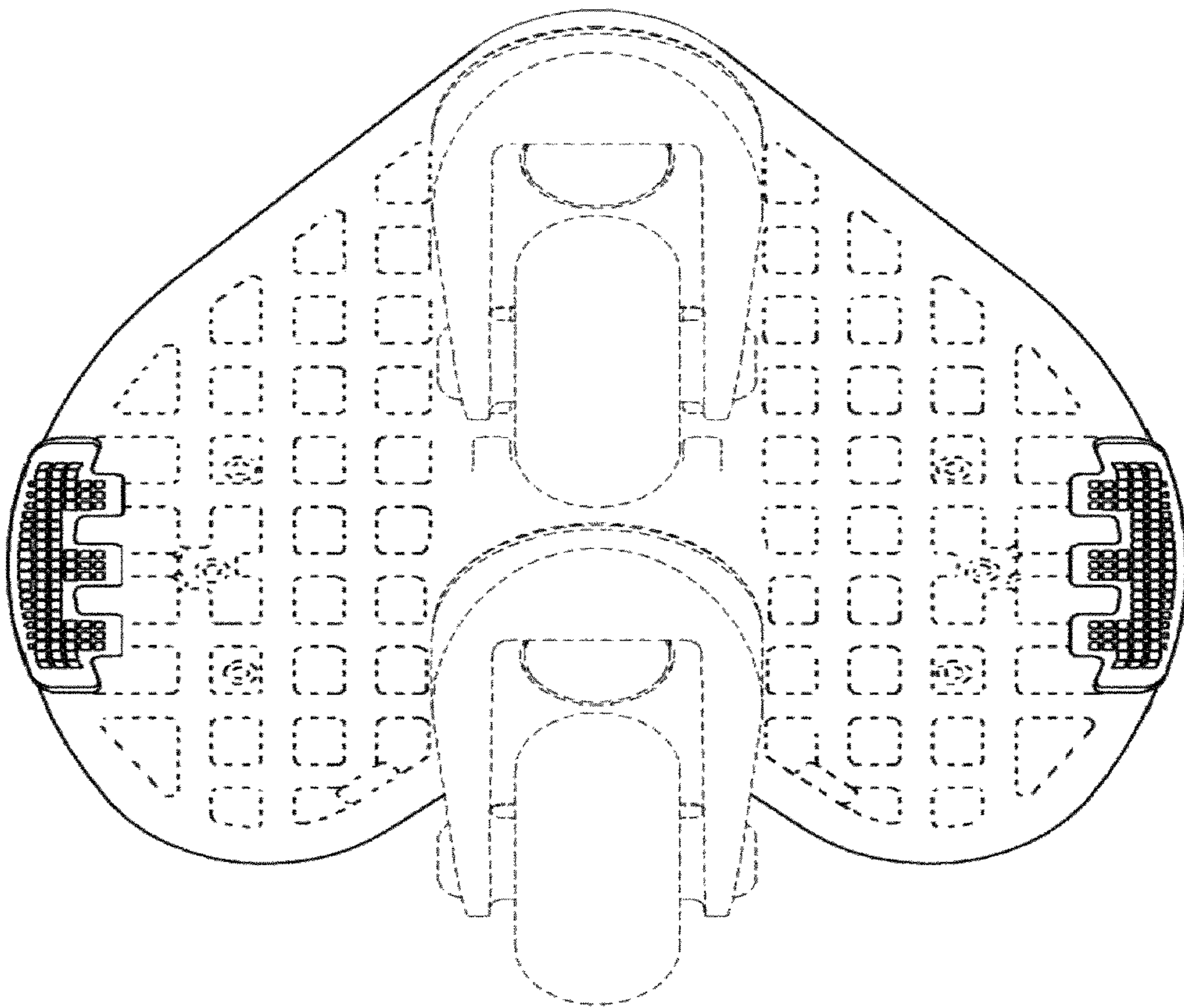


FIG. 7