



US00D699798S

(12) **United States Design Patent**
Paquette et al.

(10) **Patent No.:** **US D699,798 S**

(45) **Date of Patent:** **** Feb. 18, 2014**

(54) **LACROSSE HEAD**

(75) Inventors: **Adam D. Paquette**, Leominster, MA
(US); **Thomas H. Burns**, Royal Oak, MI
(US)

(73) Assignee: **Warrior Sports, Inc.**, Warren, MI (US)

(**) Term: **14 Years**

(21) Appl. No.: **29/430,347**

(22) Filed: **Aug. 24, 2012**

(51) **LOC (10) Cl.** **21-02**

(52) **U.S. Cl.**
USPC **D21/753**

(58) **Field of Classification Search**
USPC D21/724, 753; 473/505–515
See application file for complete search history.

(56) **References Cited**

U.S. PATENT DOCUMENTS

5,865,694	A *	2/1999	Duong-Van	473/520
7,282,000	B2 *	10/2007	Brine et al.	473/513
7,749,113	B2 *	7/2010	Morrow et al.	473/513
8,052,549	B2 *	11/2011	Sykora	473/513

OTHER PUBLICATIONS

Brine Clutch (Admitted Prior Art).
Warrior Revo (Admitted Prior Art).

* cited by examiner

Primary Examiner — Mitchell Siegel

(74) *Attorney, Agent, or Firm* — Warner Norcross & Judd
LLP

(57) **CLAIM**

The ornamental design for lacrosse head, as shown and described.

DESCRIPTION

FIG. 1 is a rear bottom perspective view of the lacrosse head embodying the new design;
 FIG. 2 is an enlarged view of the lacrosse head of FIG. 1;
 FIG. 3 is a bottom view of the lacrosse head;
 FIG. 4 is a top view thereof;
 FIG. 5 is a right side perspective view of the lacrosse head, the left side perspective view being a mirror image thereof;
 FIG. 6 is a front view thereof;
 FIG. 7 is an enlarged rear bottom perspective view thereof;
 FIG. 8 is a rear bottom perspective view of a first alternative embodiment of the lacrosse head; and,
 FIG. 9 is an enlarged rear bottom perspective view of the lacrosse head of FIG. 8.
 FIGS. 1-9 show features of a lacrosse head in phantom lines. These features are shown for environmental purposes and do not form any part of the claimed design. The claimed features of the lacrosse head in solid lines represent the outermost boundary of the lacrosse head in the solid line locations when the lacrosse head is viewed from the perspectives of FIGS. 1-9.

1 Claim, 6 Drawing Sheets

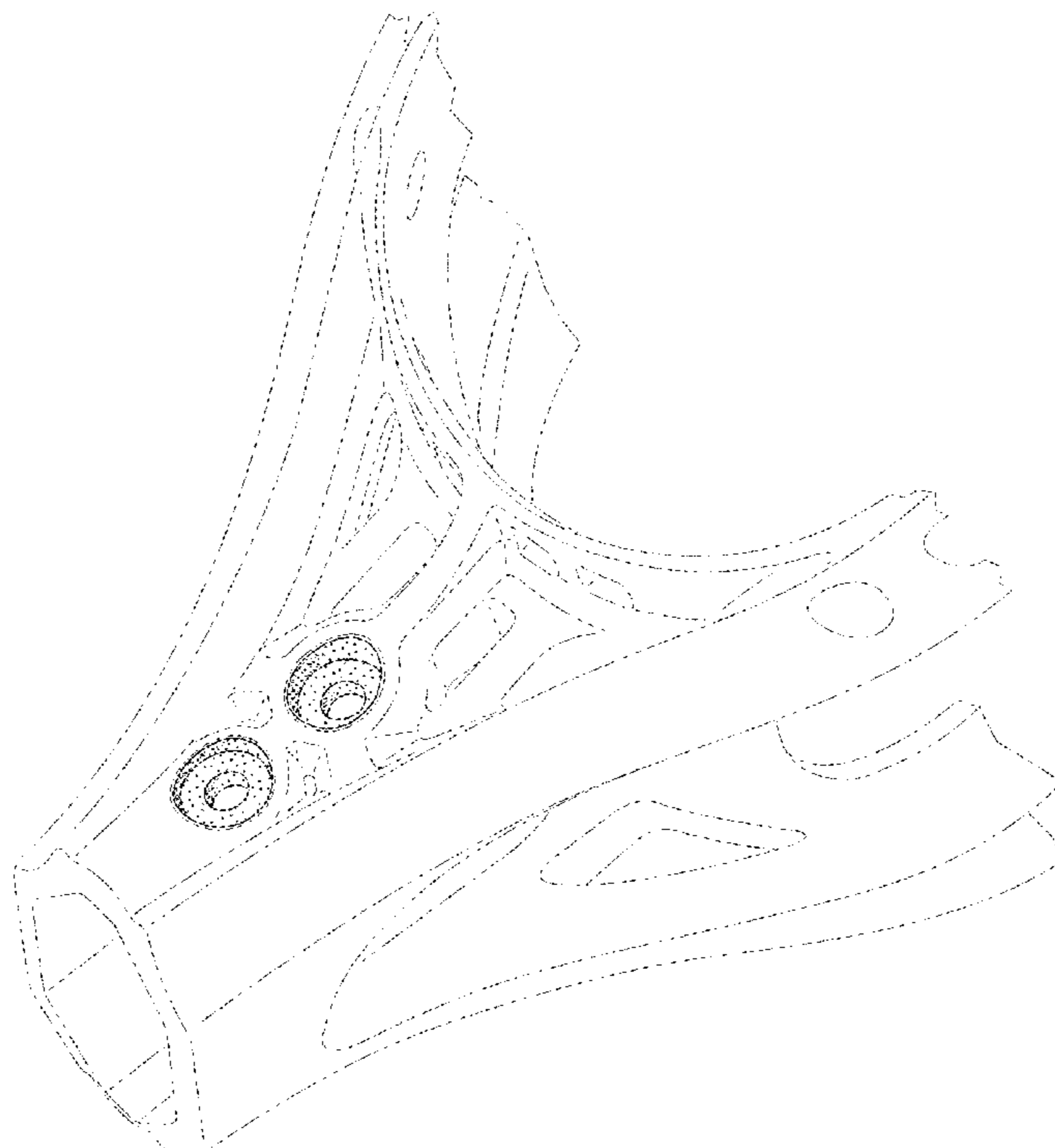




Fig. 1

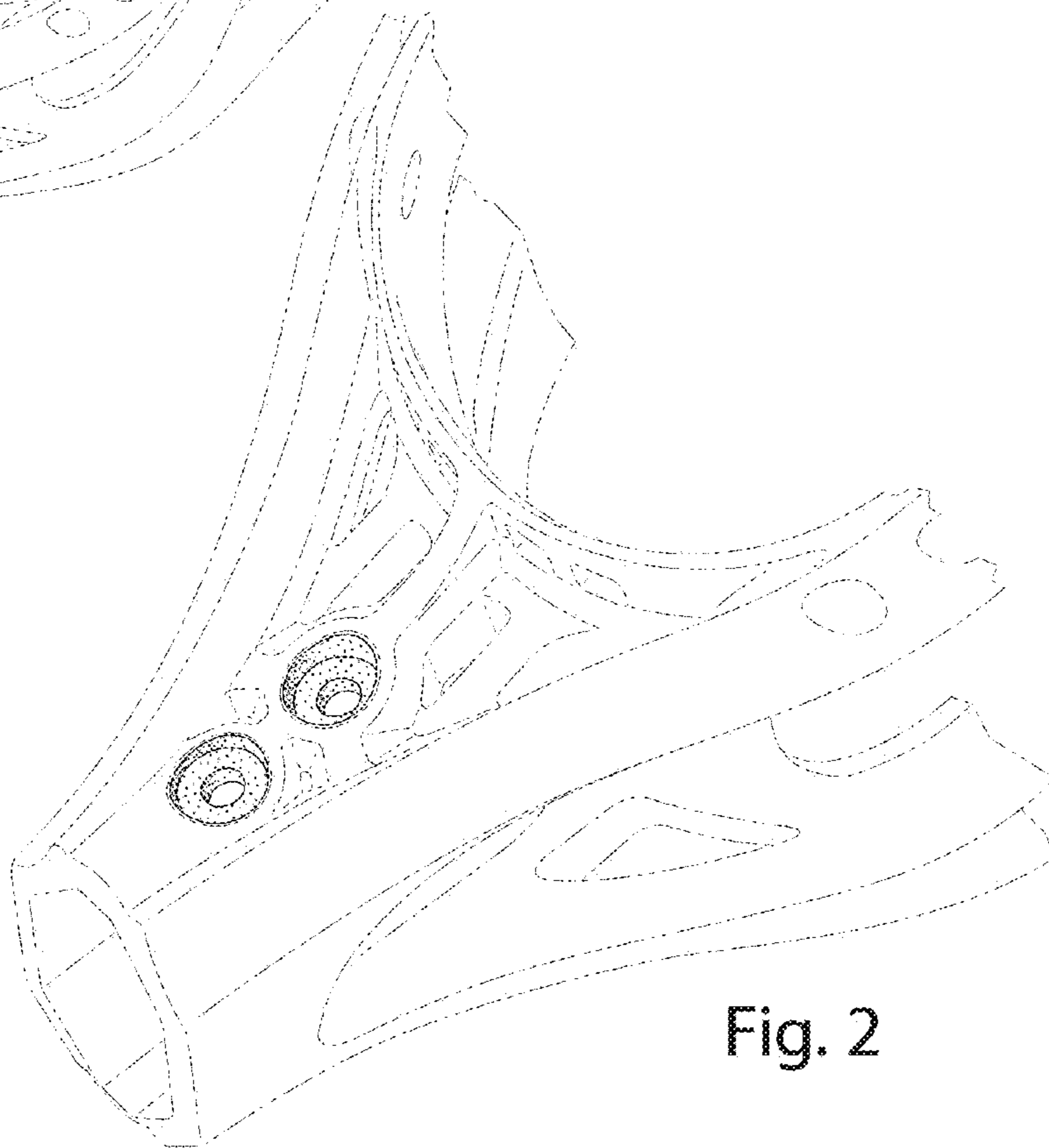


Fig. 2

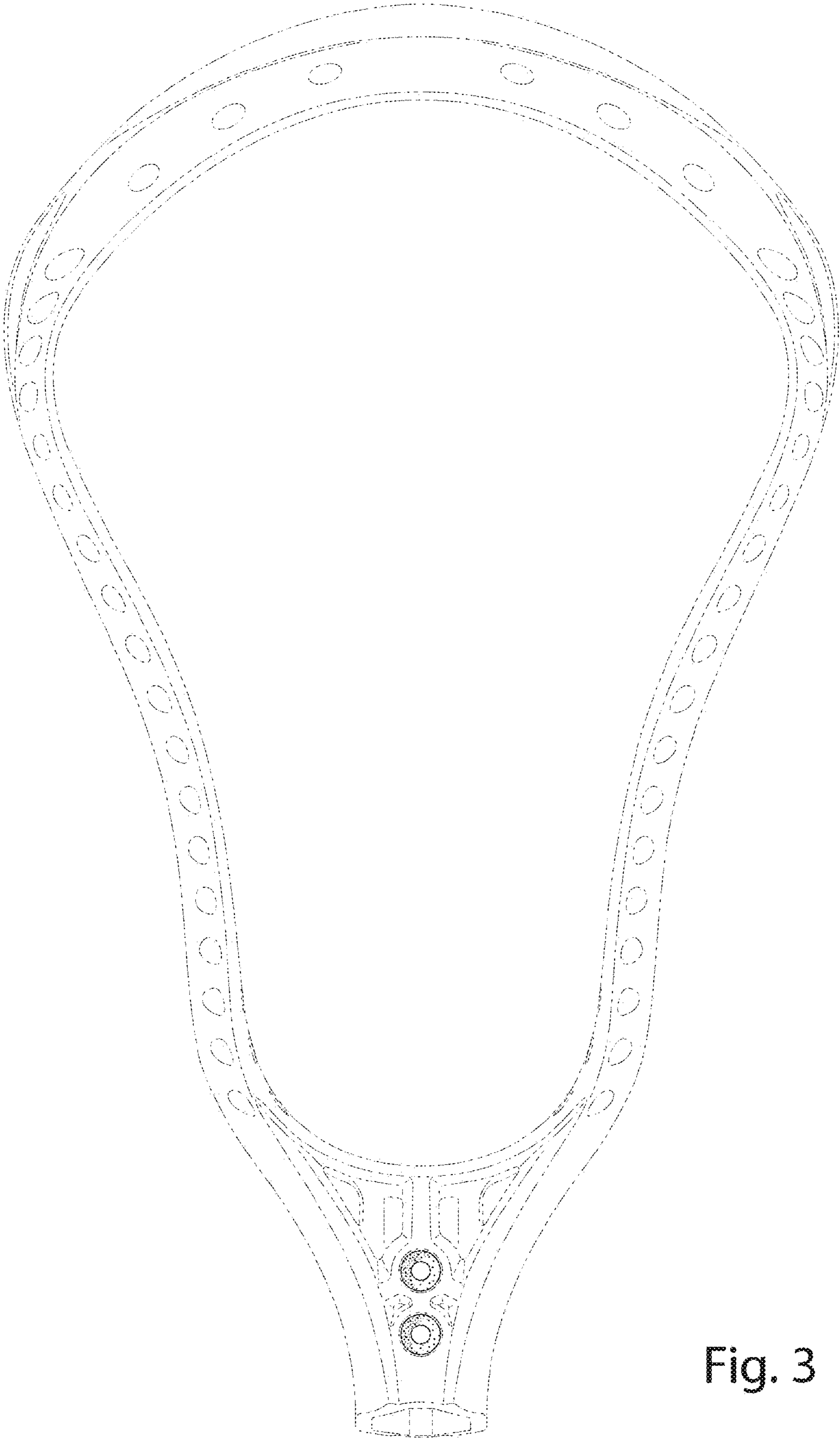


Fig. 3

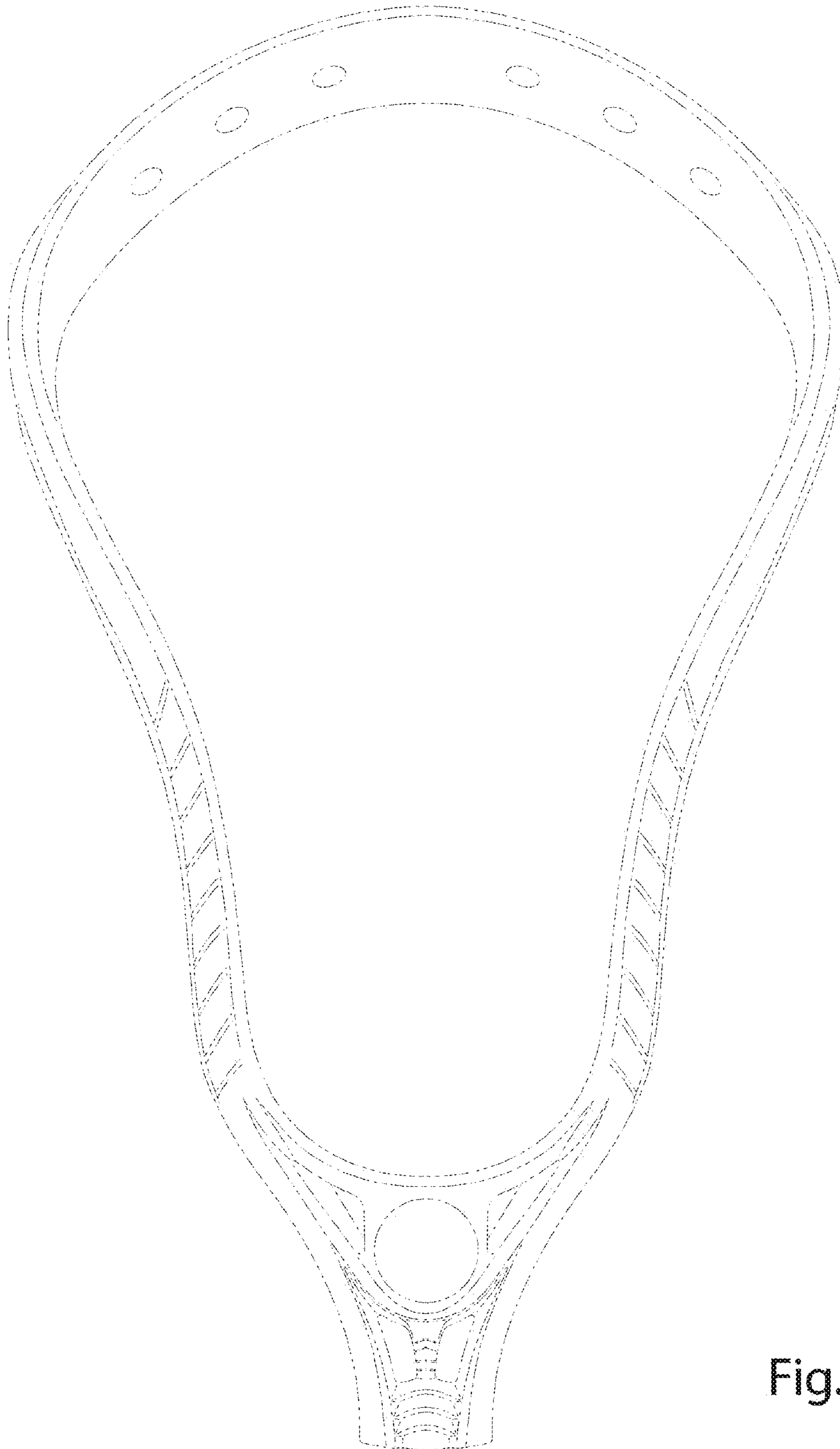


Fig. 4

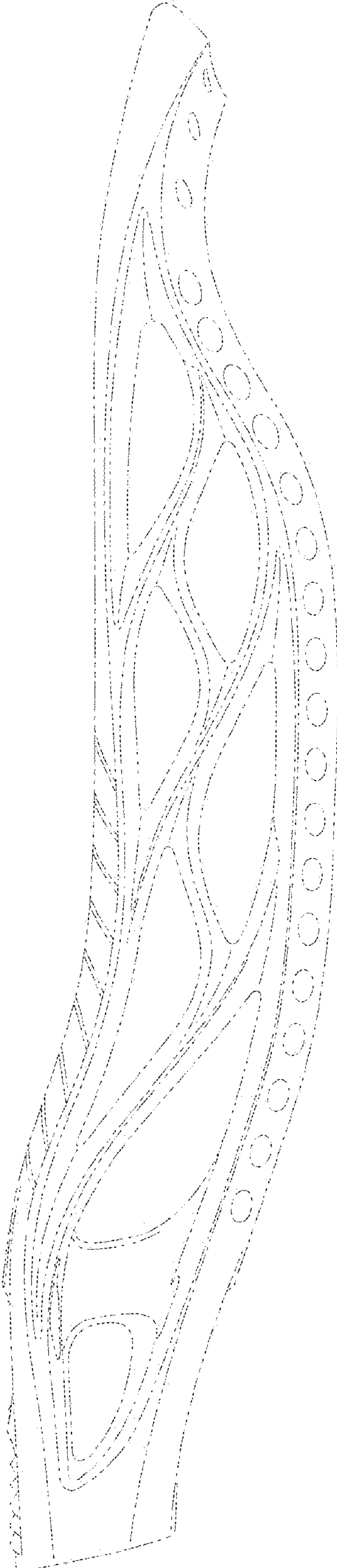


Fig. 5

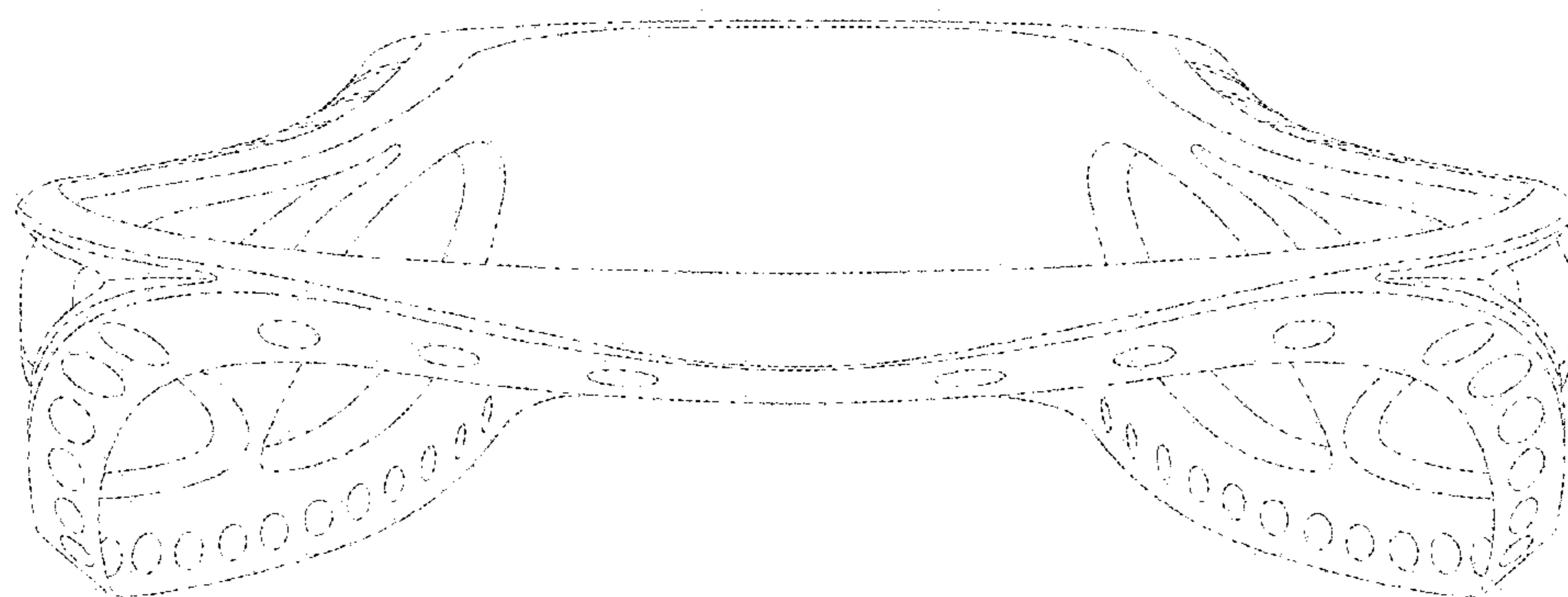


Fig. 6

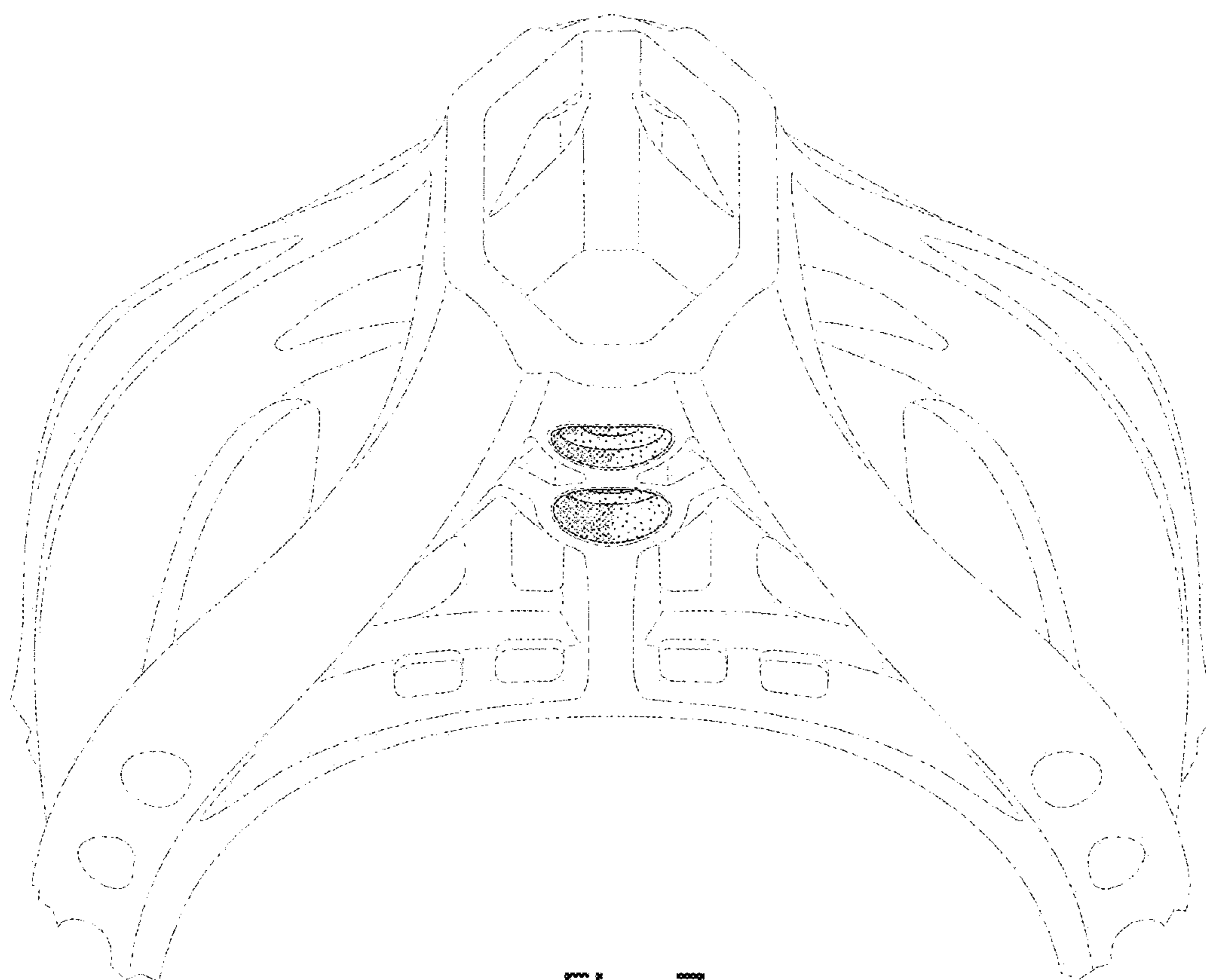


Fig. 7

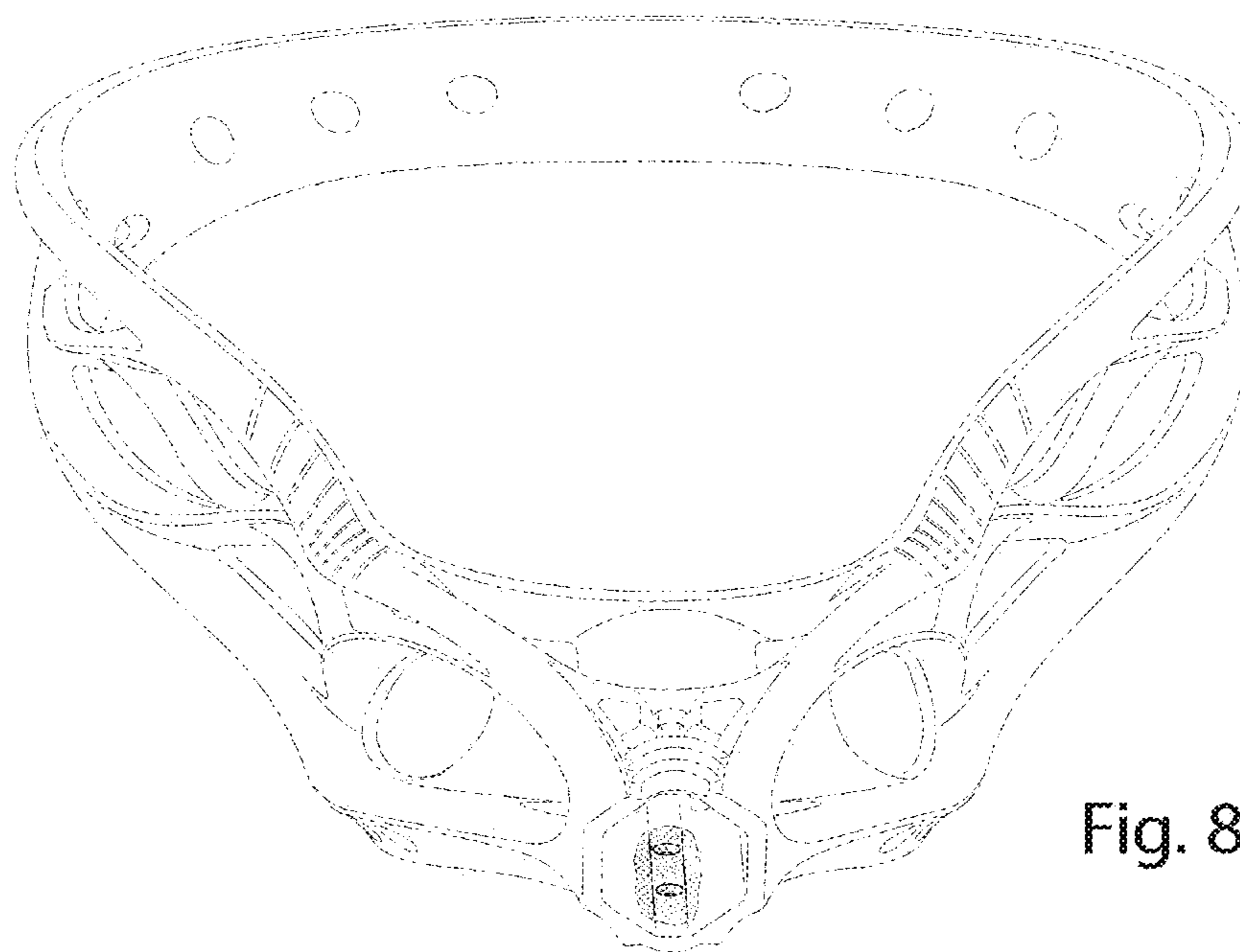


Fig. 8

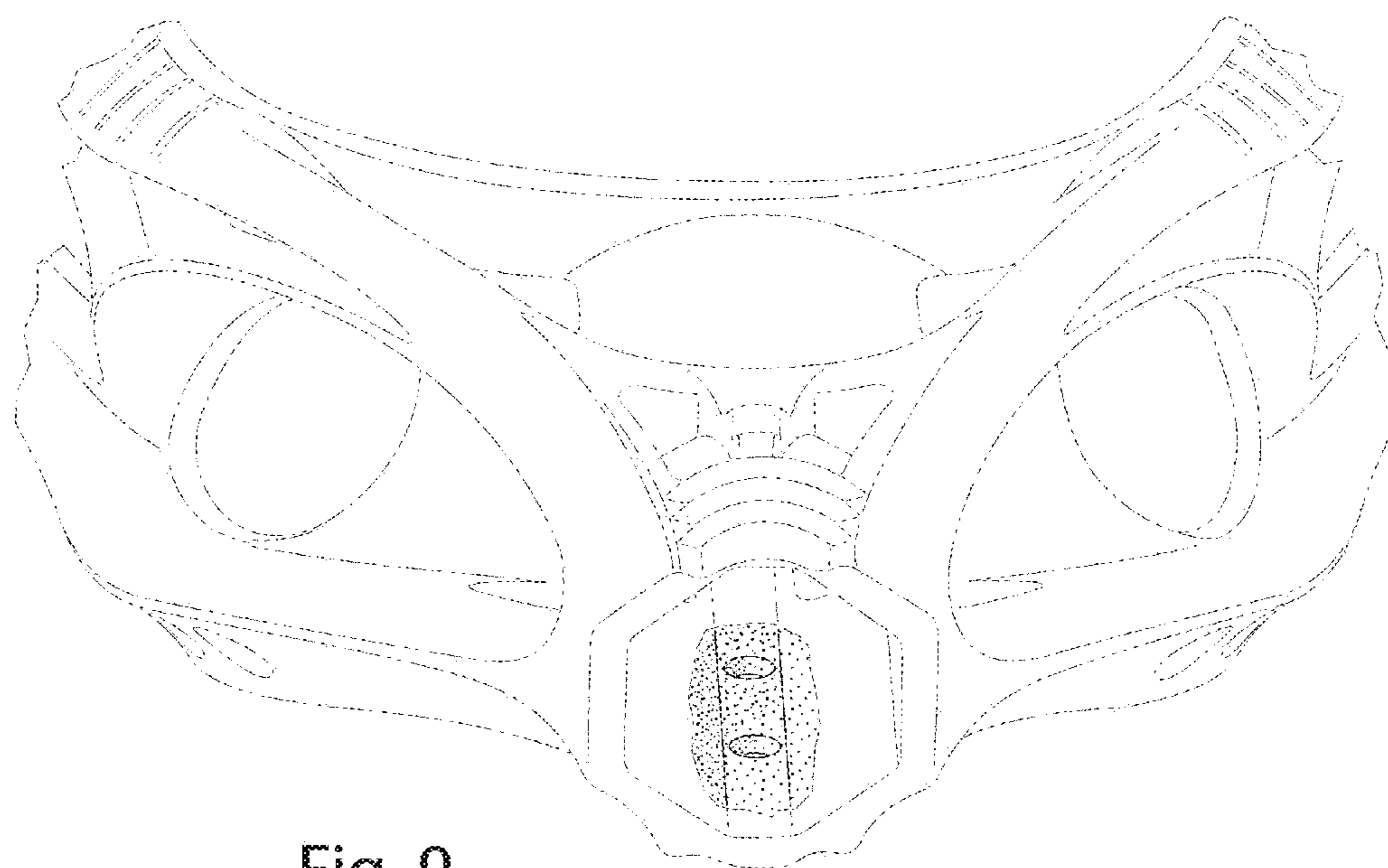


Fig. 9