



US00D699797S

(12) **United States Design Patent**
Berglund et al.

(10) **Patent No.:** **US D699,797 S**
(45) **Date of Patent:** **** Feb. 18, 2014**

(54) **GOLF PEG**

(71) Applicant: **JoBeLi HB**, Lidköping (SE)

(72) Inventors: **Björn R. Berglund**, Lidköping (SE);
Joakim G. Hallqvist, Vinninga (SE)

(73) Assignee: **JoBeLi HB**, Lidköping (SE)

(**) Term: **14 Years**

(21) Appl. No.: **29/459,363**

(22) Filed: **Jun. 28, 2013**

(51) **LOC (10) Cl.** **21-02**

(52) **U.S. Cl.**
USPC **D21/717**

(58) **Field of Classification Search**
USPC D21/717-721, 722-759, 789-796;
473/132, 387-408

See application file for complete search history.

(56) **References Cited**

U.S. PATENT DOCUMENTS

3,406,978	A *	10/1968	Johnson, Jr.	473/397
3,606,344	A *	9/1971	Ball	473/398
3,690,676	A *	9/1972	Costa	473/398
D266,860	S *	11/1982	Nelson	D21/717
D346,190	S *	4/1994	Folker	D21/718
6,186,907	B1 *	2/2001	Woodward	473/400
6,267,235	B1 *	7/2001	Matias et al.	206/315.1
D518,537	S *	4/2006	Lee et al.	D21/717
D538,874	S *	3/2007	Ceruti	D21/796
7,458,906	B2 *	12/2008	Choe	473/387

D638,079	S *	5/2011	Cheng	D21/717
D678,445	S *	3/2013	Corredor Monzon	D21/791
2012/0214616	A1 *	8/2012	Lipstock et al.	473/396

FOREIGN PATENT DOCUMENTS

DE	102004046843	A1 *	9/2005
EM	001811787-0001	*	2/2011
FR	20114526-001	*	11/2011
JP	2005305058	A *	11/2005
KR	2005099928	A *	10/2005
KR	300404306.0000	*	1/2006
KR	701333	B1 *	4/2007

* cited by examiner

Primary Examiner — Catherine Tuttle

(74) *Attorney, Agent, or Firm* — Nixon & Vanderhye, P.C.

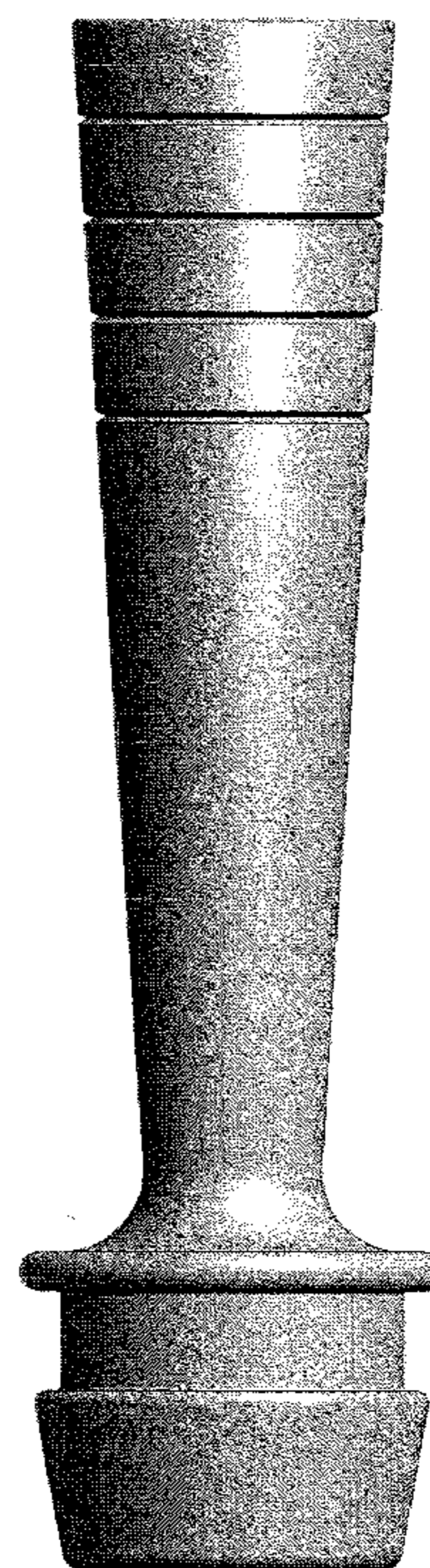
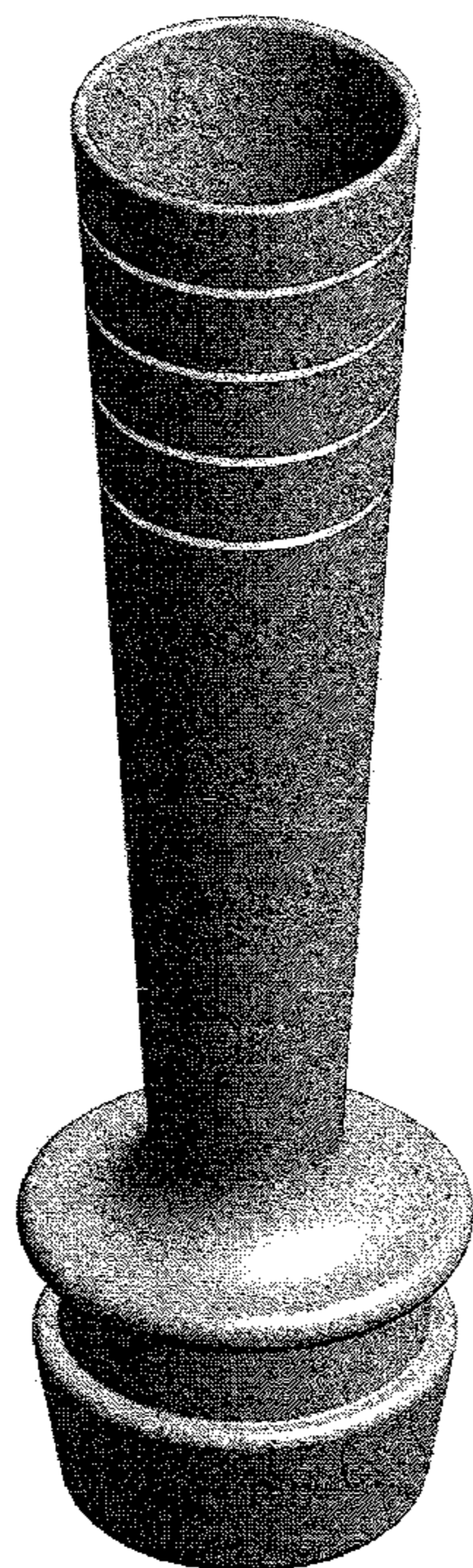
(57) **CLAIM**

The ornamental design for a “golf peg,” as shown and described.

DESCRIPTION

FIG. 1 is a top perspective view of a golf peg showing our new design;
FIG. 2 is a front elevation view thereof, side and rear elevation views being identical thereto;
FIG. 3 is a top plan view thereof;
FIG. 4 is a bottom plan view thereof;
FIG. 5 is a second top perspective view thereof;
FIG. 6 is a bottom perspective view thereof; and,
FIG. 7 is section view taken along the line 7-7 in FIG. 3.

1 Claim, 6 Drawing Sheets



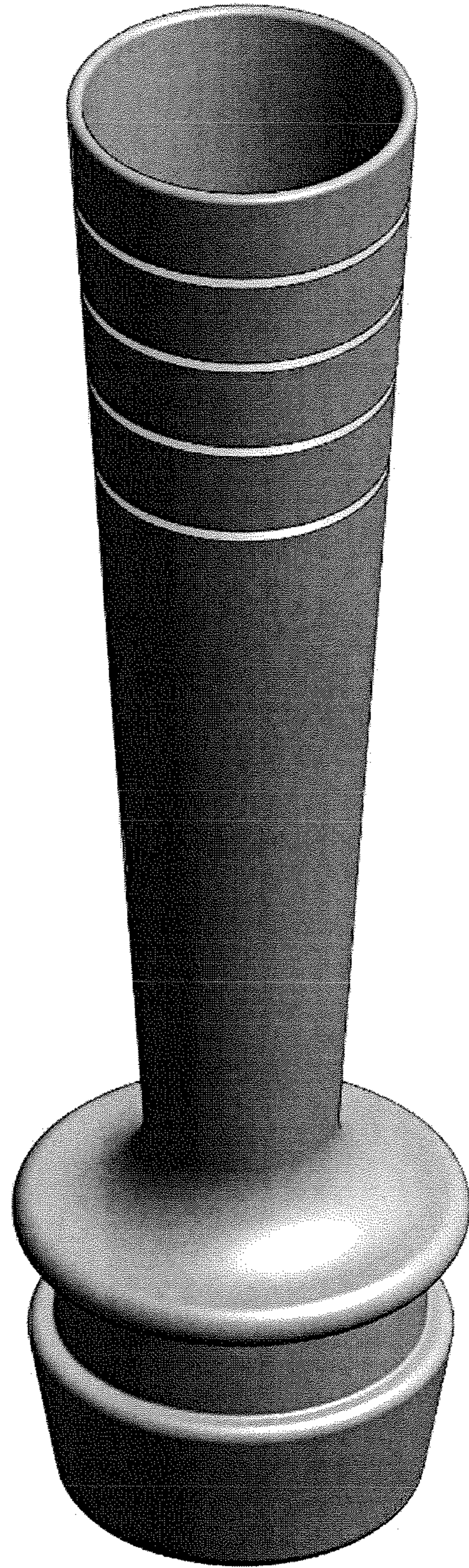


FIG. 1

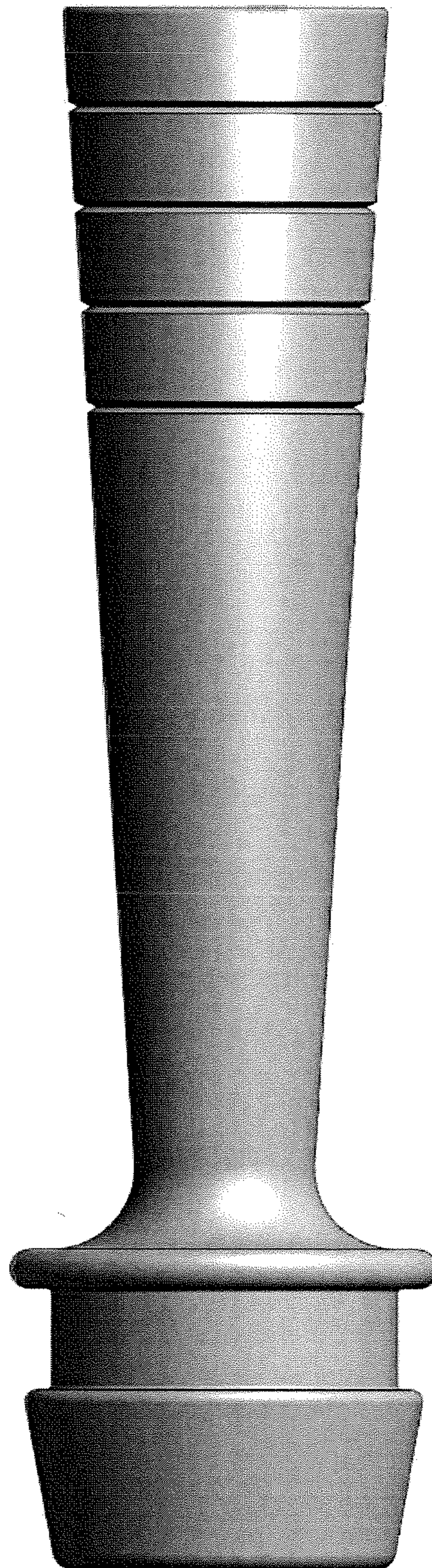


FIG. 2

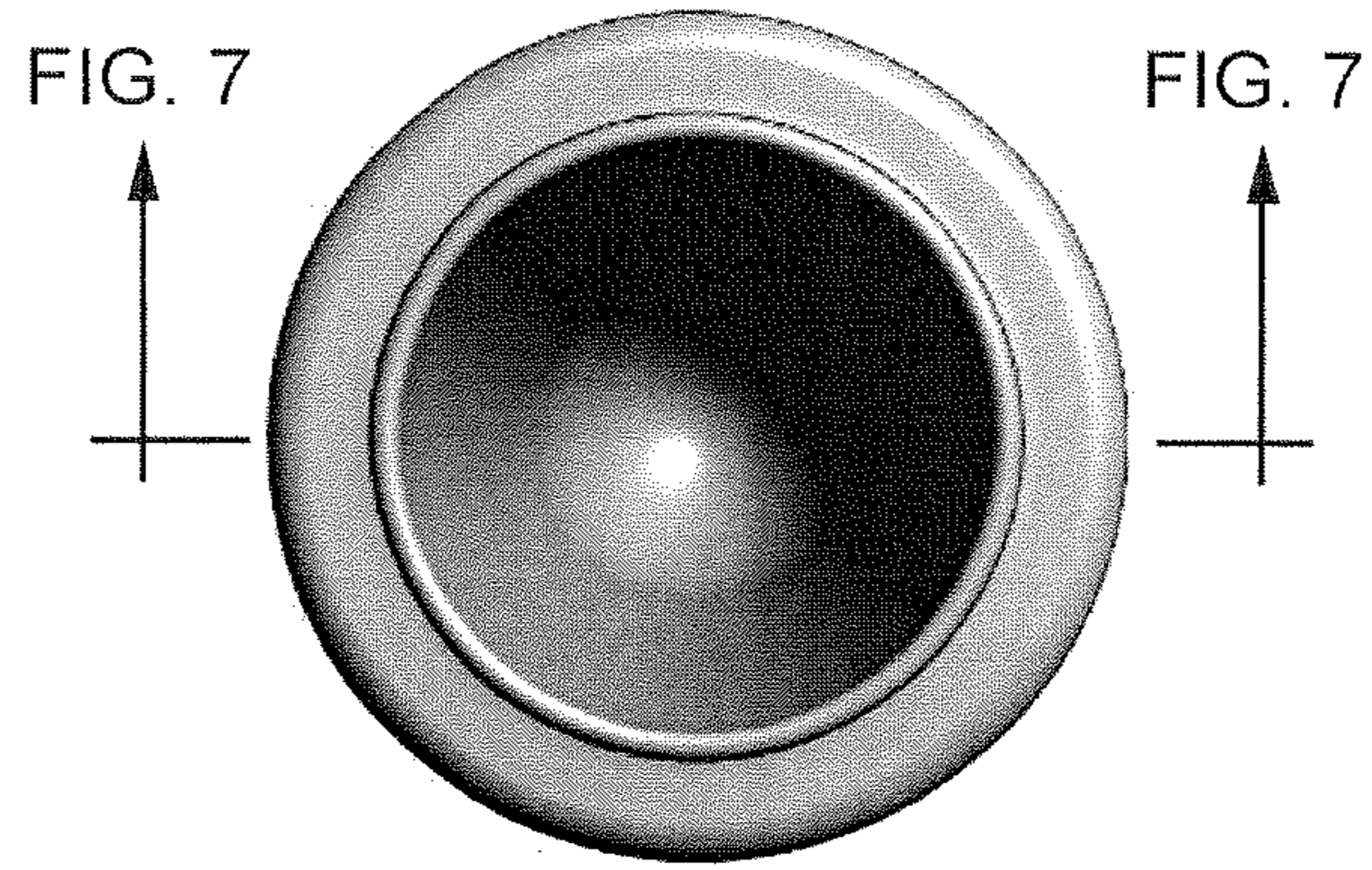


FIG. 3

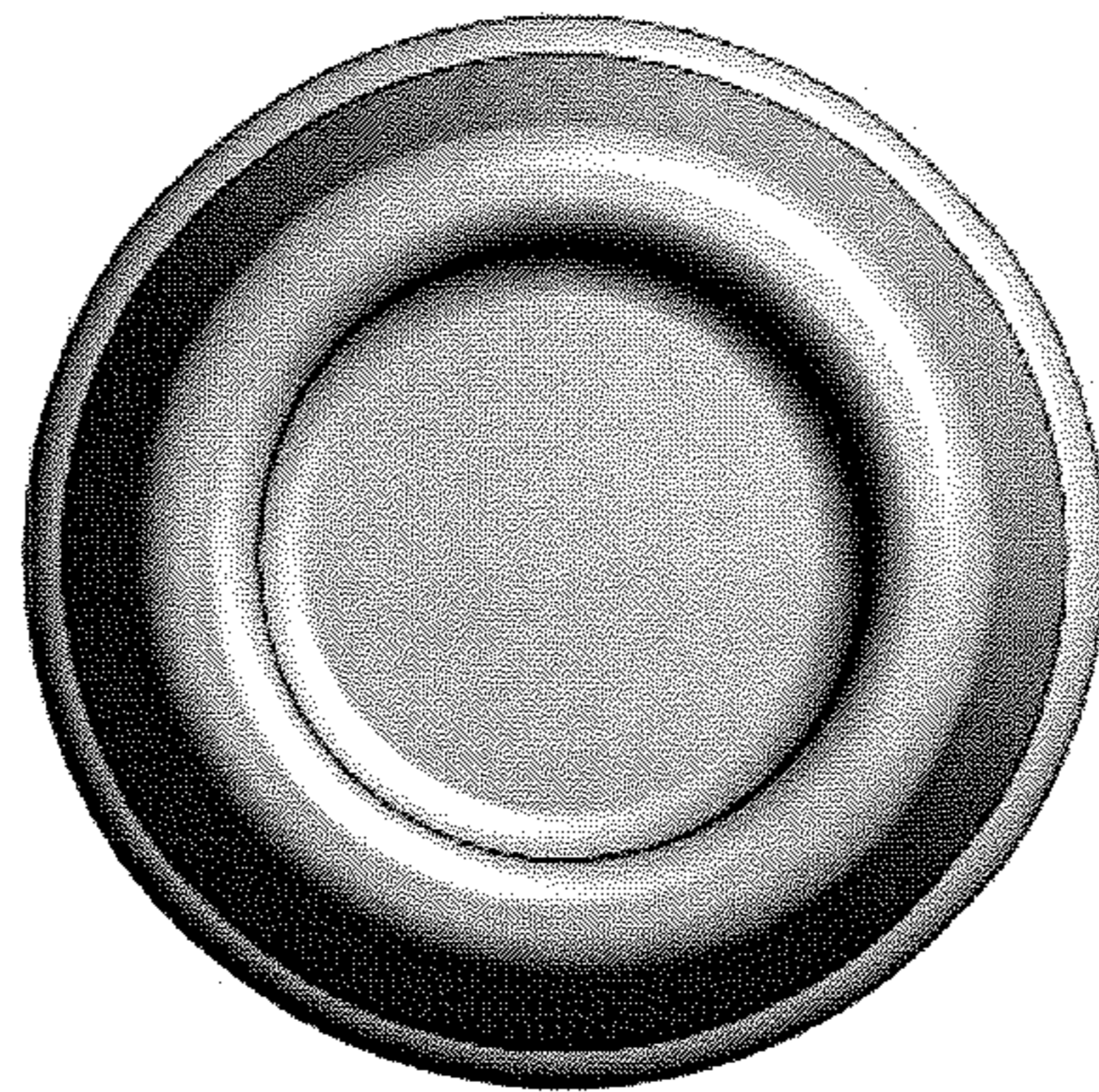


FIG. 4

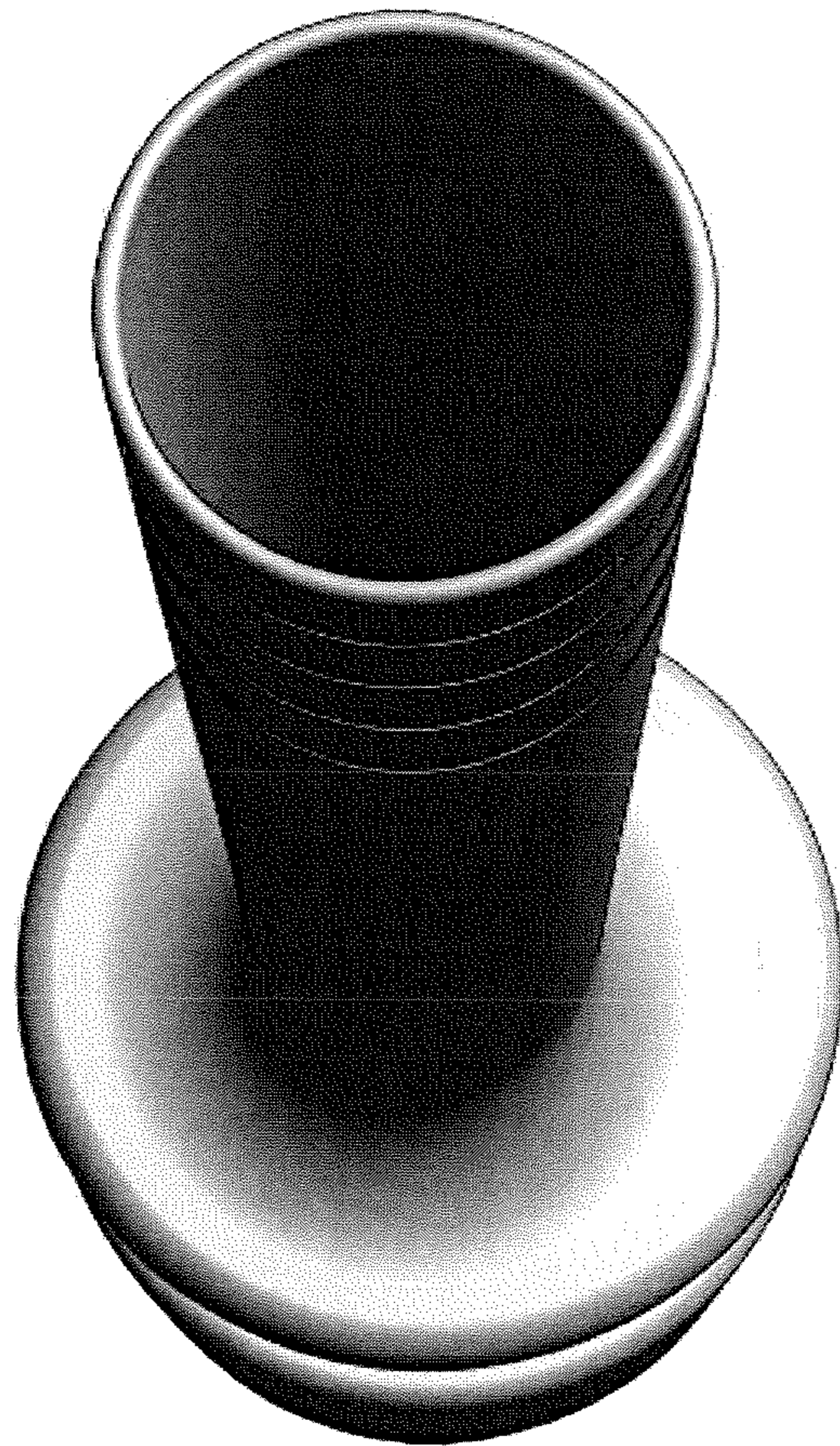


FIG. 5

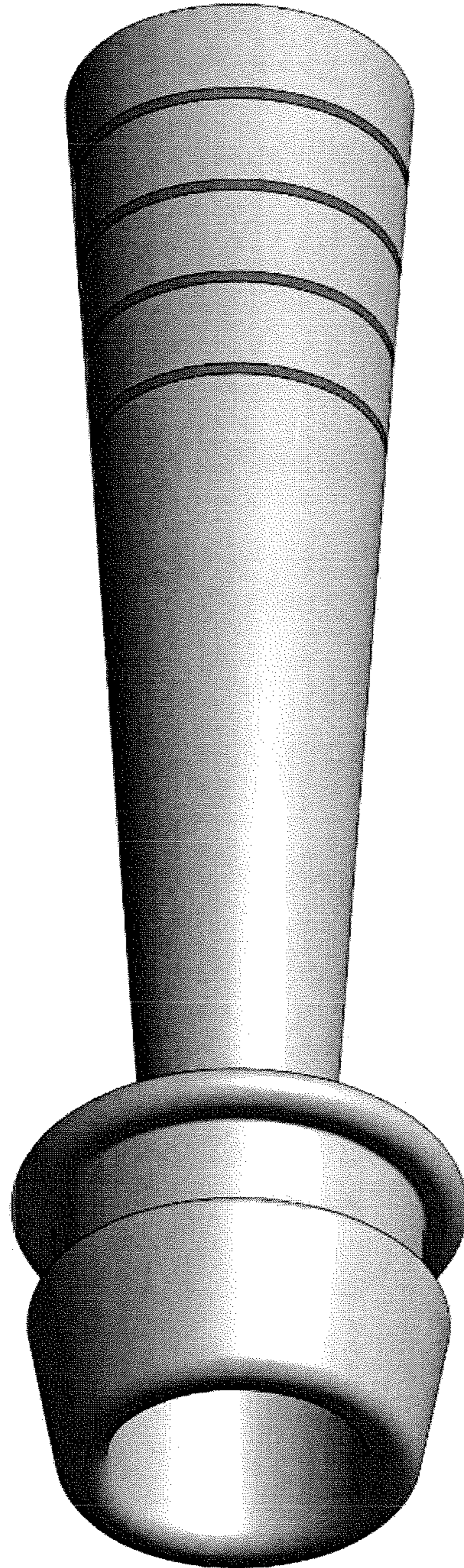


FIG. 6

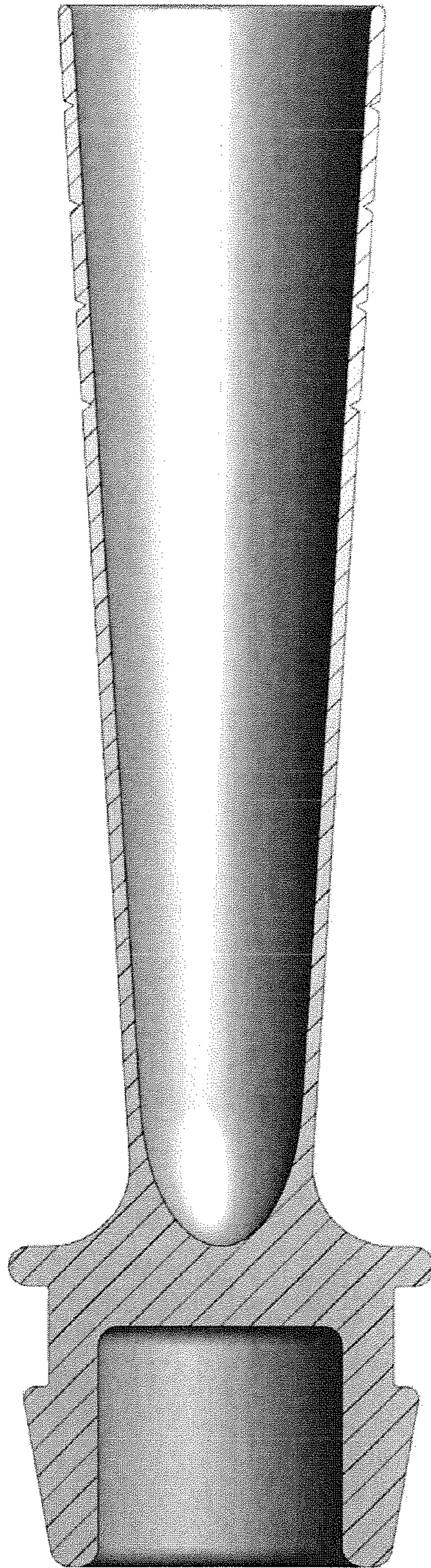


FIG. 7