



US00D699796S

(12) **United States Design Patent**
Flick et al.

(10) **Patent No.:** **US D699,796 S**

(45) **Date of Patent:** **** Feb. 18, 2014**

(54) **EXERCISE BIKE**
(71) Applicant: **Nautilus, Inc.**, Vancouver, WA (US)
(72) Inventors: **Edward L. Flick**, Brush Prairie, WA (US); **Rasmey Yim**, Vancouver, WA (US); **Matthew Rauwerdink**, Portland, OR (US)
(73) Assignee: **Nautilus, Inc.**, Vancouver, WA (US)

4,917,376 A 4/1990 Lo
D307,614 S * 5/1990 Bingham et al. D21/667
D307,615 S 5/1990 Bingham et al.
4,932,649 A * 6/1990 Chen 482/59
4,932,650 A 6/1990 Bingham et al.
4,961,569 A 10/1990 Roberge
4,961,570 A * 10/1990 Chang 482/53
4,971,316 A * 11/1990 Dalebout et al. 482/62
4,981,294 A 1/1991 Dalebout et al.
5,000,444 A 3/1991 Dalebout et al.

(Continued)

(**) Term: **14 Years**

OTHER PUBLICATIONS

(21) Appl. No.: **29/438,884**

U.S. Appl. No. 29/438,869, filed Dec. 4, 2012, Rauwerdink.

(22) Filed: **Dec. 4, 2012**

(Continued)

(51) **LOC (10) Cl.** **21-02**

Primary Examiner — Susan E Krakower

(52) **U.S. Cl.**

(74) *Attorney, Agent, or Firm* — Dorsey & Whitney LLP

USPC **D21/667**; D21/665

(58) **Field of Classification Search**

(57) **CLAIM**

USPC D21/663, 664, 665, 666, 667, 694, 697;
482/51, 52, 53, 54, 57, 58, 59, 62, 64

The ornamental design for an exercise bike, as shown and described.

See application file for complete search history.

DESCRIPTION

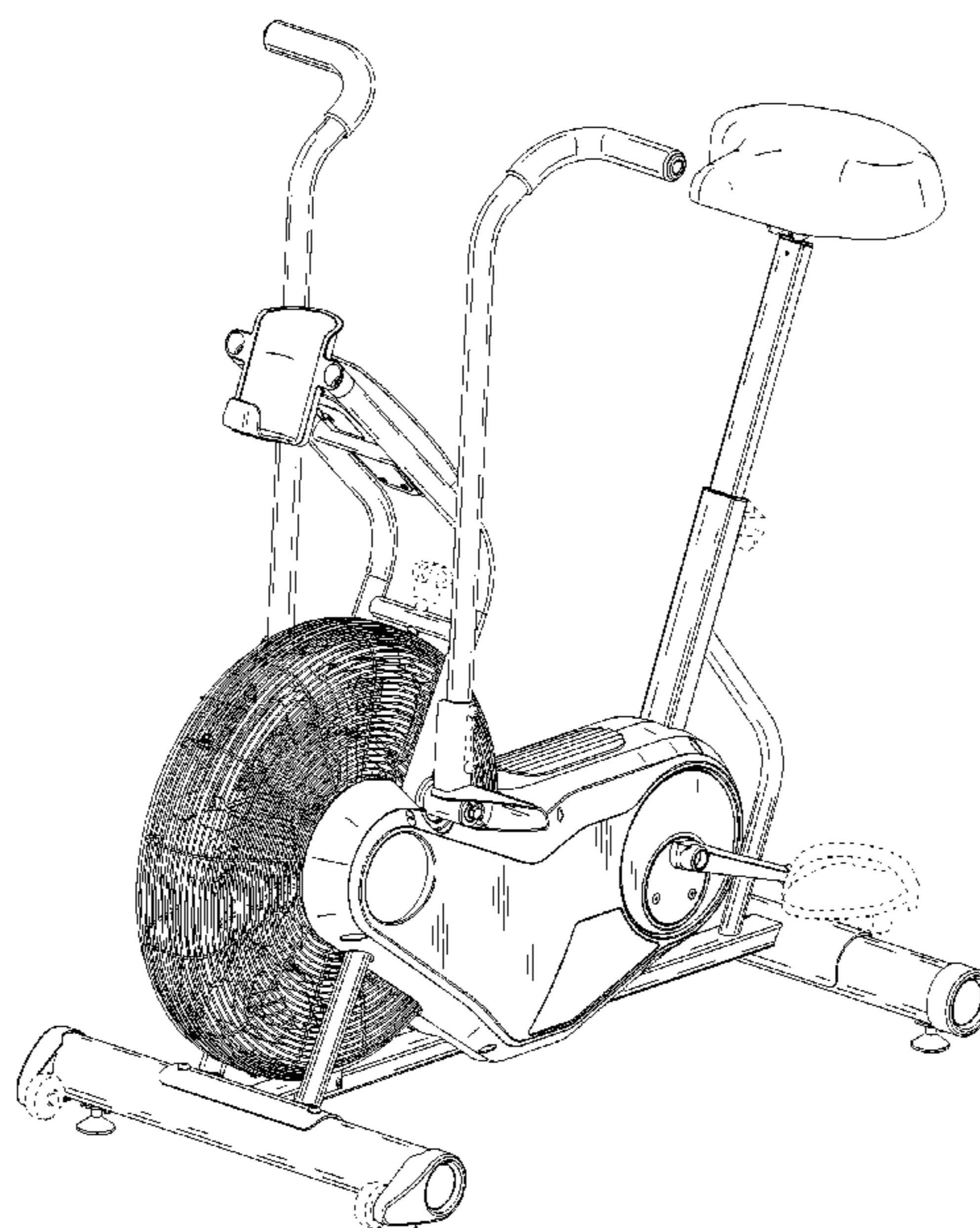
(56) **References Cited**

FIG. 1 shows a front perspective view of an exercise bike;
FIG. 2 shows a front elevation view of the exercise bike of FIG. 1;
FIG. 3 shows a rear elevation view of the exercise bike of FIG. 1;
FIG. 4 shows a left elevation view of the exercise bike of FIG. 1;
FIG. 5 shows a right elevation view of the exercise bike of FIG. 1;
FIG. 6 shows a top view of the exercise bike of FIG. 1; and,
FIG. 7 shows a bottom view of the exercise bike of FIG. 1.
The broken lines illustrate environmental structure and form no part of the claimed design.

U.S. PATENT DOCUMENTS

562,198 A 6/1896 Robinson
1,861,226 A 5/1932 O'Connor
4,188,030 A 2/1980 Hooper
D256,688 S 9/1980 Zielinski
4,712,789 A 12/1987 Brilando
4,712,790 A 12/1987 Szymiski
4,824,102 A 4/1989 Lo
4,838,544 A 6/1989 Sasakawa et al.
4,875,674 A 10/1989 Dreissigacker et al.
4,880,225 A 11/1989 Lucas et al.
D305,348 S 1/1990 Schuring et al.
D306,330 S 2/1990 Lucas et al.
4,902,001 A 2/1990 Balbo
D307,167 S 4/1990 Lucas et al.

1 Claim, 6 Drawing Sheets



(56)

References Cited

U.S. PATENT DOCUMENTS

D318,505 S 7/1991 Gustafsson et al.
D319,274 S 8/1991 Byrd et al.
D319,480 S 8/1991 Byrd et al.
D319,675 S 9/1991 Byrd et al.
5,149,312 A * 9/1992 Croft et al. 482/62
D330,236 S 10/1992 Jarriel et al.
RE34,478 E * 12/1993 Dalebout et al. 482/59
5,346,445 A * 9/1994 Chang 482/62
D353,638 S 12/1994 Camfield et al.
5,397,286 A 3/1995 Chang
5,443,434 A 8/1995 Buchanan
D378,506 S 3/1997 Stolz et al.

D382,530 S 8/1997 Raudman et al.
6,102,834 A 8/2000 Chen
6,220,991 B1 * 4/2001 Sellers 482/62
6,231,485 B1 5/2001 Dreissigacker et al.
D491,126 S 6/2004 Rivers, Jr. et al.
D519,900 S 5/2006 Francis
D521,087 S 5/2006 Francis
D571,873 S 6/2008 Goldberg
7,547,267 B1 6/2009 Wang
7,955,227 B2 6/2011 Chen

OTHER PUBLICATIONS

U.S. Appl. No. 29/438,881, filed Dec. 4, 2012, Rauwerdink.
U.S. Appl. No. 29/438,888, filed Dec. 4, 2012, Flick et al.

* cited by examiner

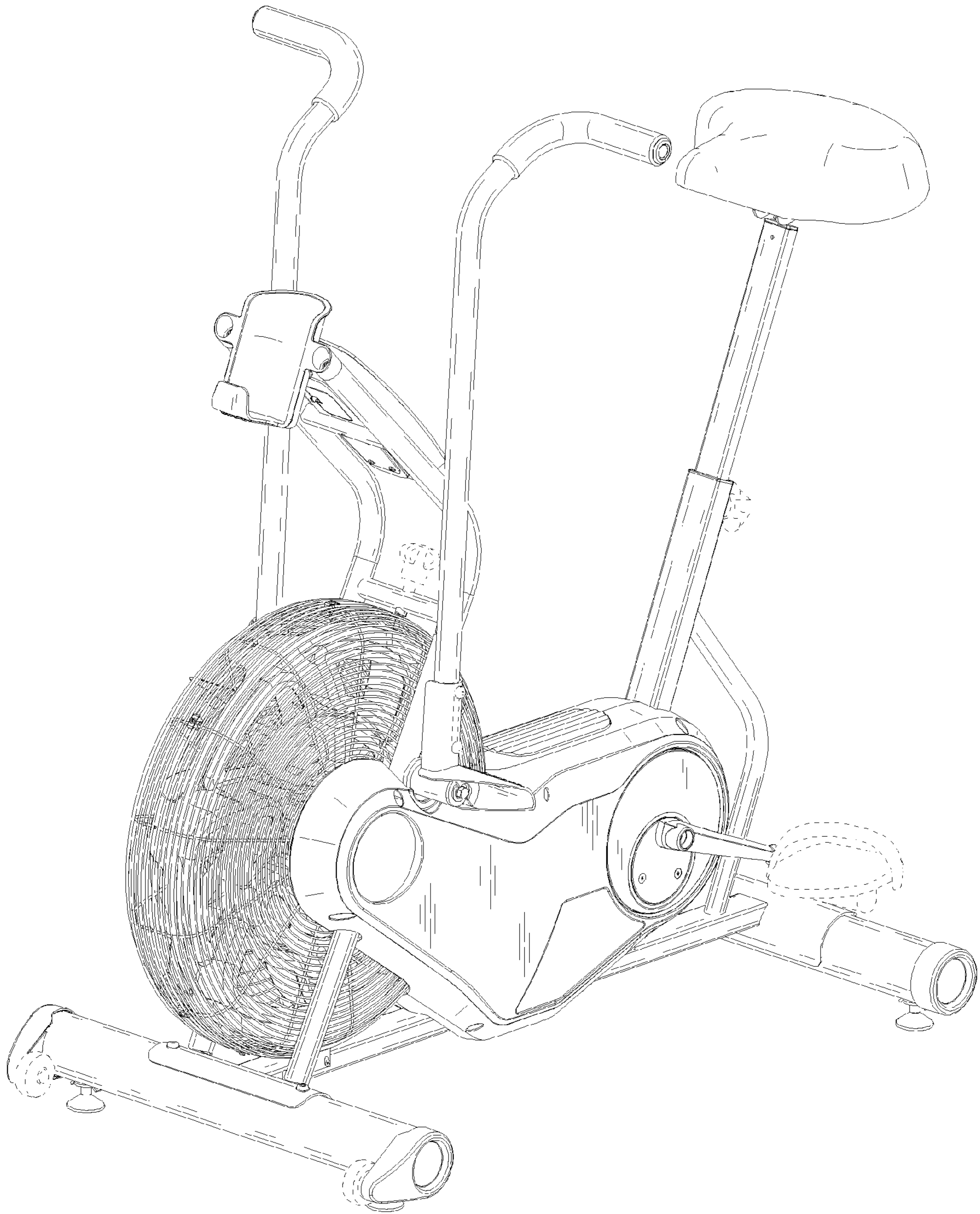


FIG. 1

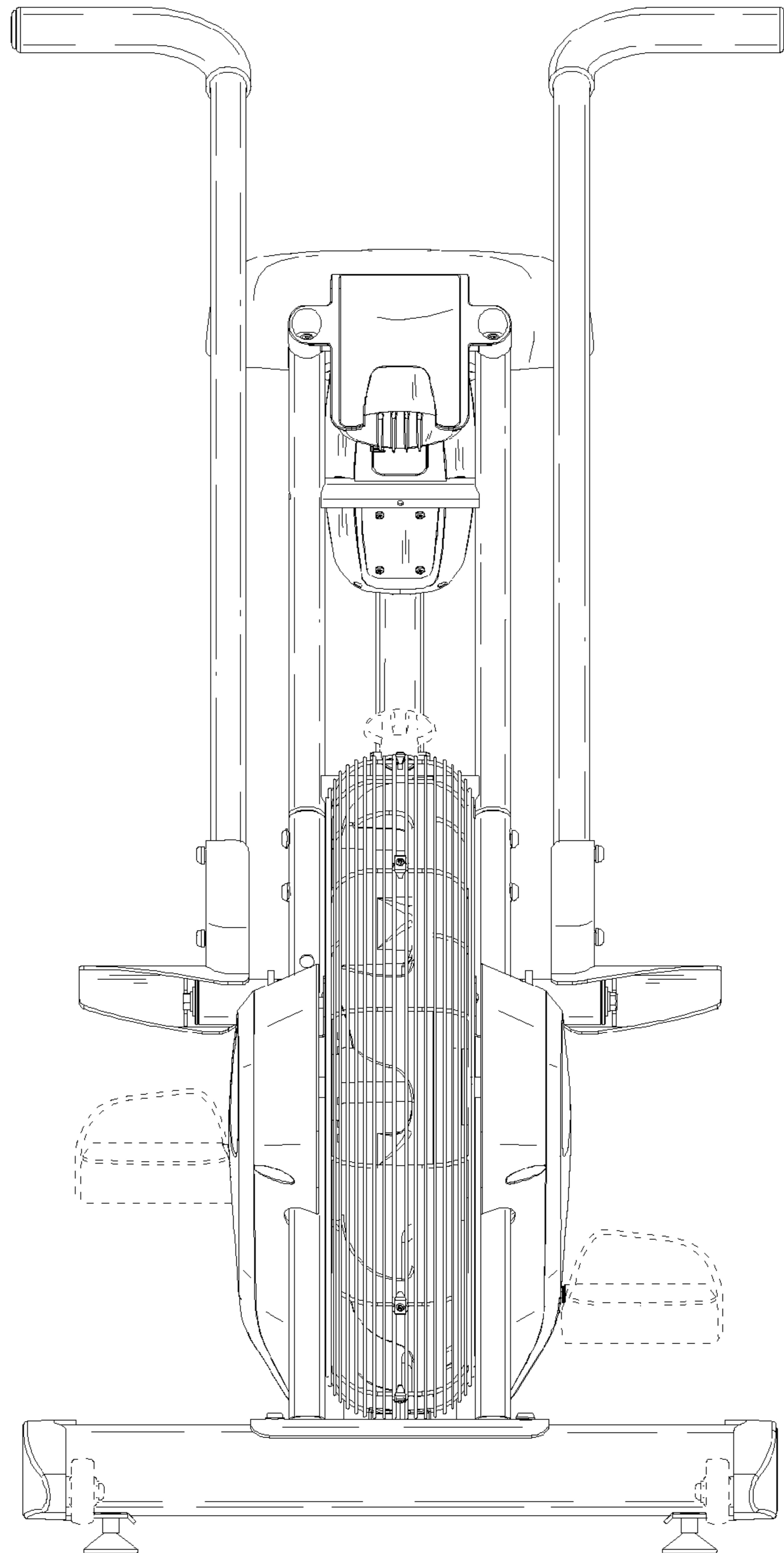


FIG. 2

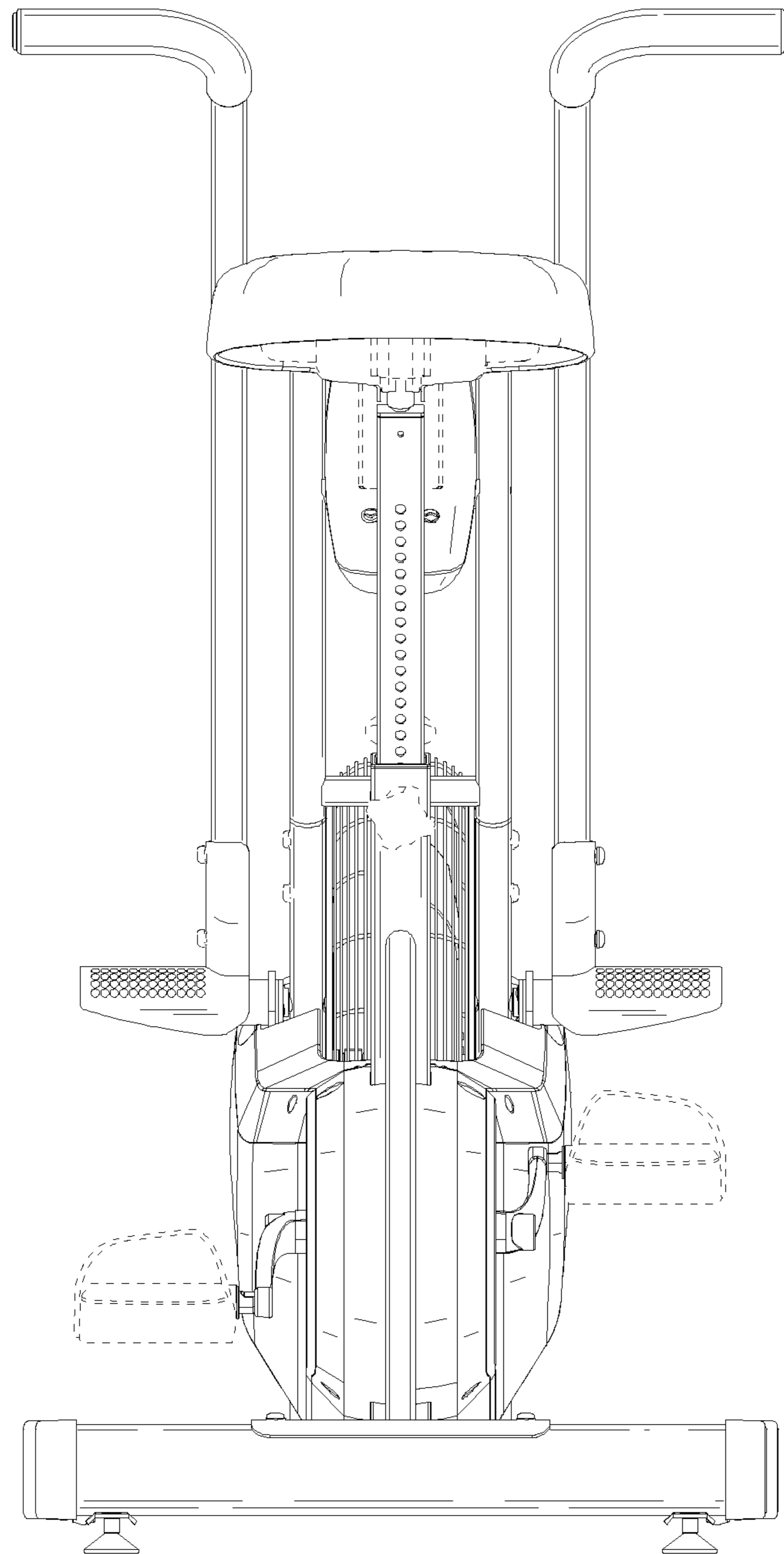


FIG. 3

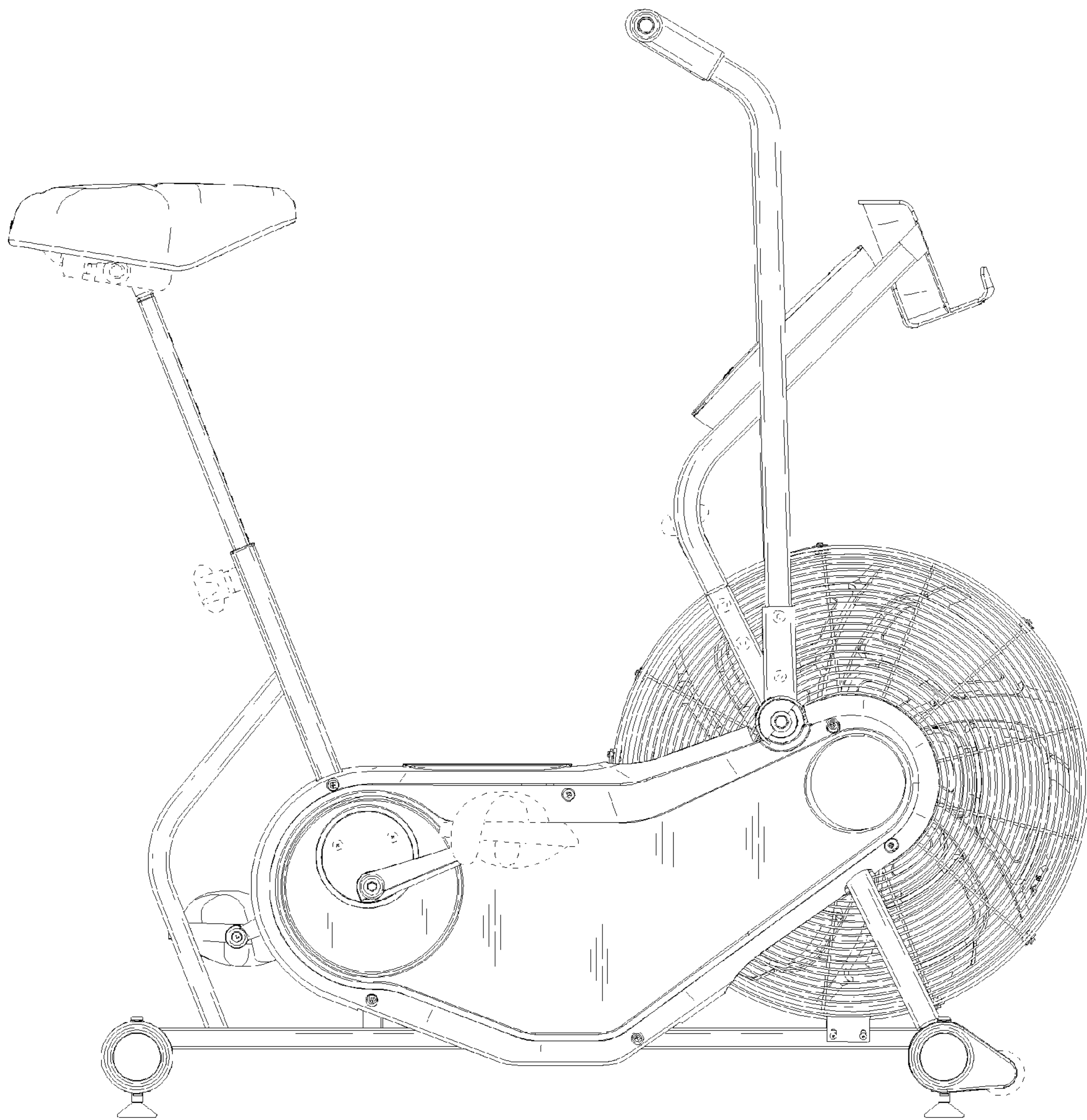


FIG. 4

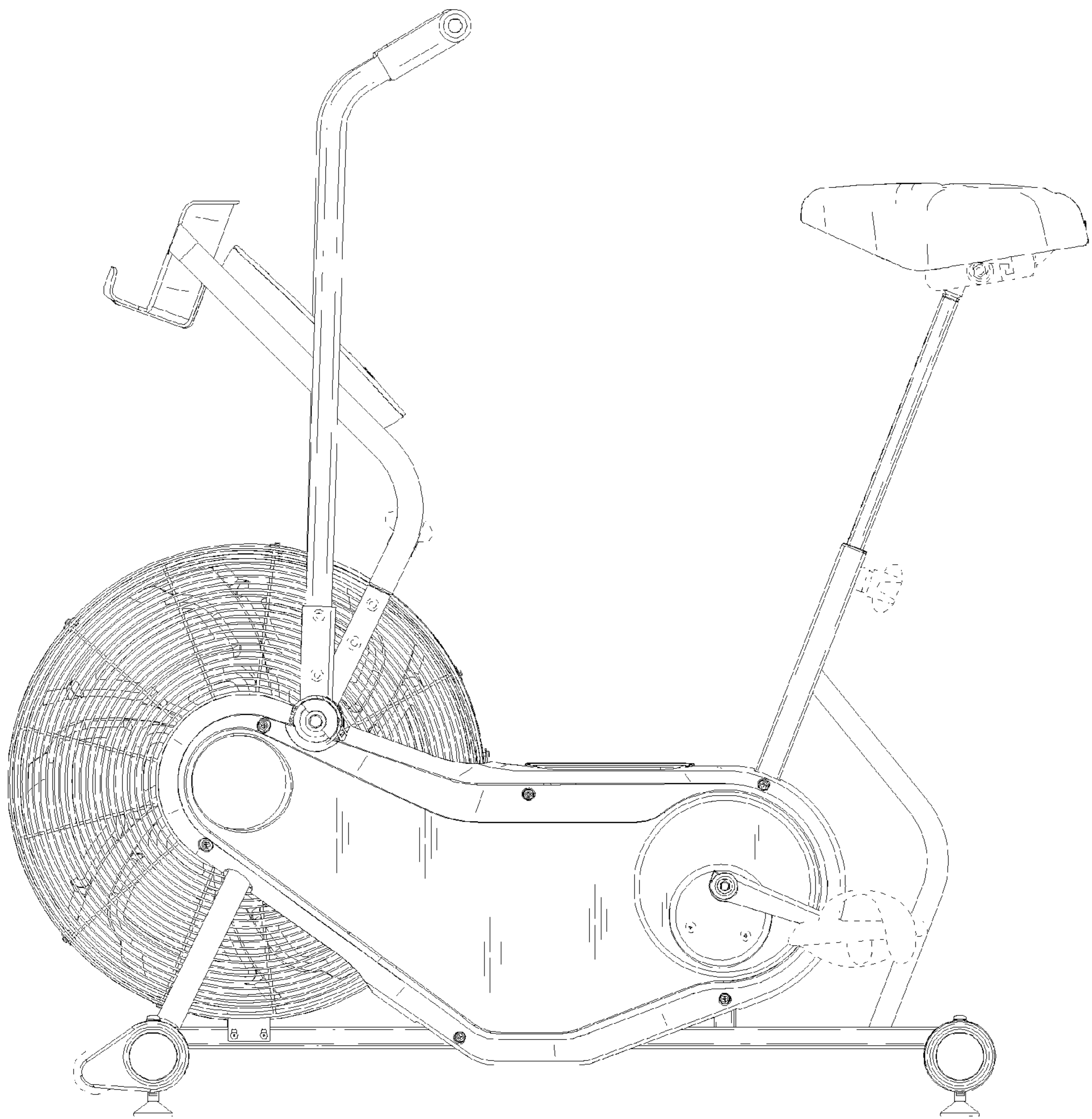


FIG. 5

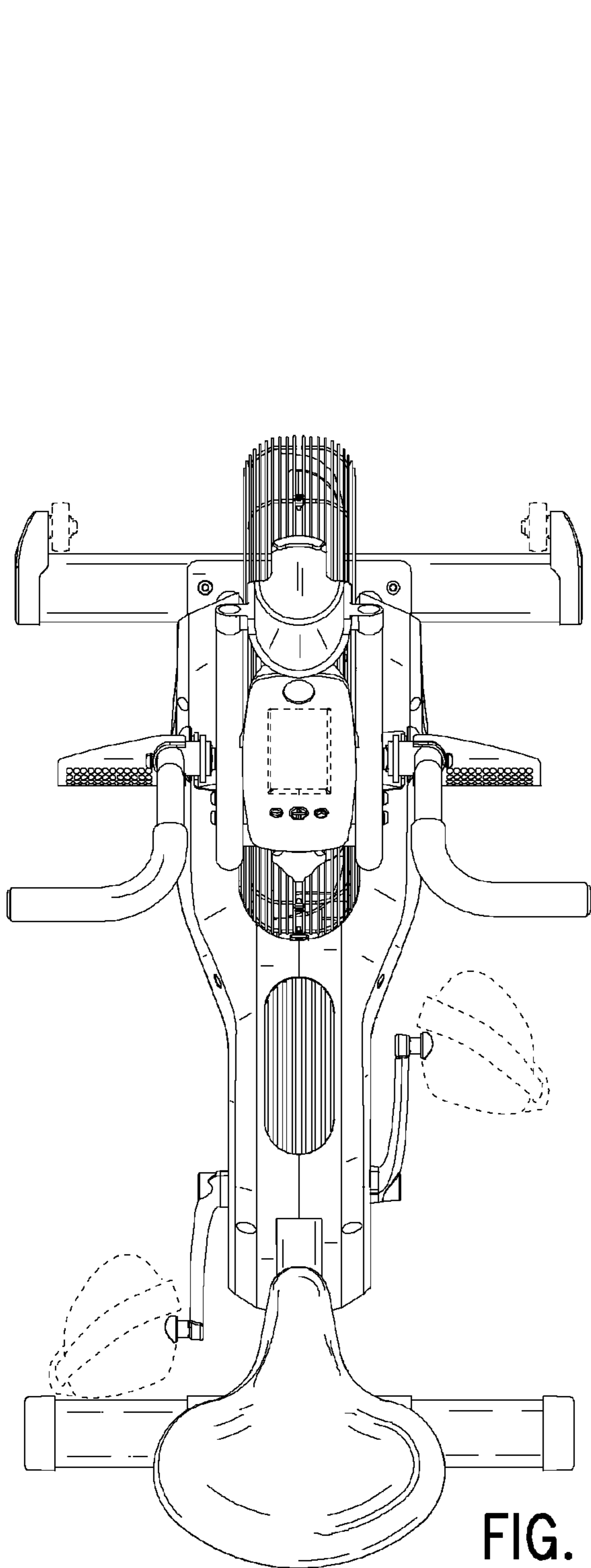


FIG. 6

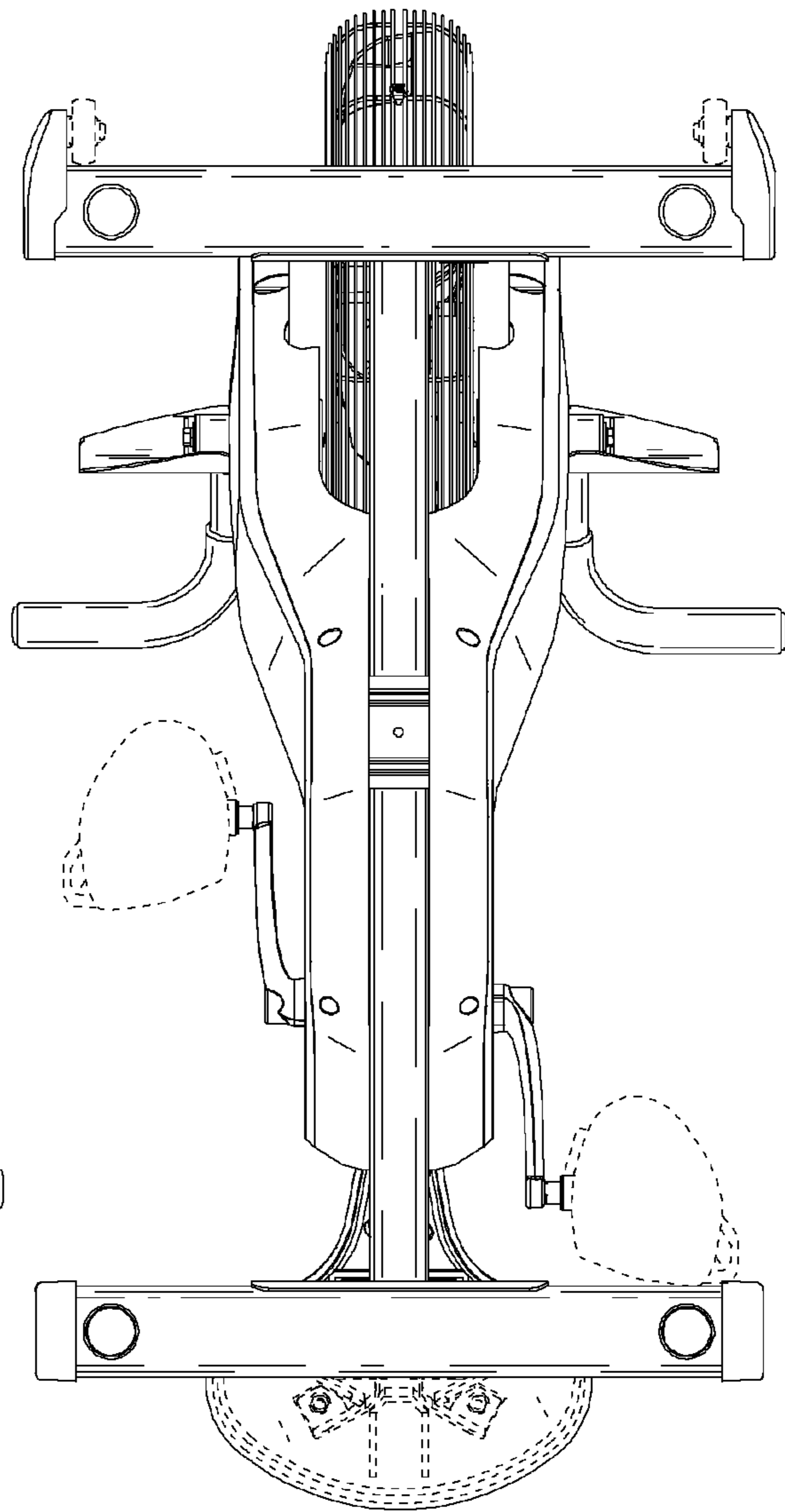


FIG. 7