



US00D699793S

(12) **United States Design Patent**
Gomez

(10) **Patent No.:** **US D699,793 S**
(45) **Date of Patent:** **** Feb. 18, 2014**

- (54) **CHILDREN'S PLAYHOUSE**
- (71) Applicant: **Holly Diann Gomez**, Jackson, MS (US)
- (72) Inventor: **Holly Diann Gomez**, Jackson, MS (US)
- (**) Term: **14 Years**
- (21) Appl. No.: **29/446,461**
- (22) Filed: **Feb. 23, 2013**
- (51) **LOC (10) Cl.** **21-01**
- (52) **U.S. Cl.**
USPC **D21/511**
- (58) **Field of Classification Search**
USPC D21/506, 509, 511; D25/1, 32; D9/636,
D9/637, 640, 433; 434/72, 79, 96, 260;
446/69, 75, 110, 476-478, 479;
D30/108, 112, 161; 119/498; 52/64, 66
See application file for complete search history.

(56) **References Cited**

U.S. PATENT DOCUMENTS

2,092,155	A	*	9/1937	Hackett	119/498
2,951,312	A	*	9/1960	Engl	446/110
D245,639	S	*	8/1977	Powell, Jr.	D21/511
D251,265	S	*	3/1979	Shorten	D21/511
D300,643	S	*	4/1989	Conti et al.	D21/511
D326,689	S	*	6/1992	Farinelli, Jr.	D21/511
D335,904	S	*	5/1993	Krebs	D21/511
D349,366	S	*	8/1994	Kuhn et al.	D30/108
D432,593	S	*	10/2000	Naughton	D21/511
D443,732	S	*	6/2001	Gelhar	D30/108

D455,238	S	*	4/2002	Small	D30/108
D479,370	S	*	9/2003	Neves	D30/161
7,104,221	B2	*	9/2006	Simon	119/498
D623,242	S	*	9/2010	Greer	D21/511
D677,342	S	*	3/2013	Hall	D21/511

* cited by examiner

Primary Examiner — Cynthia M Chin

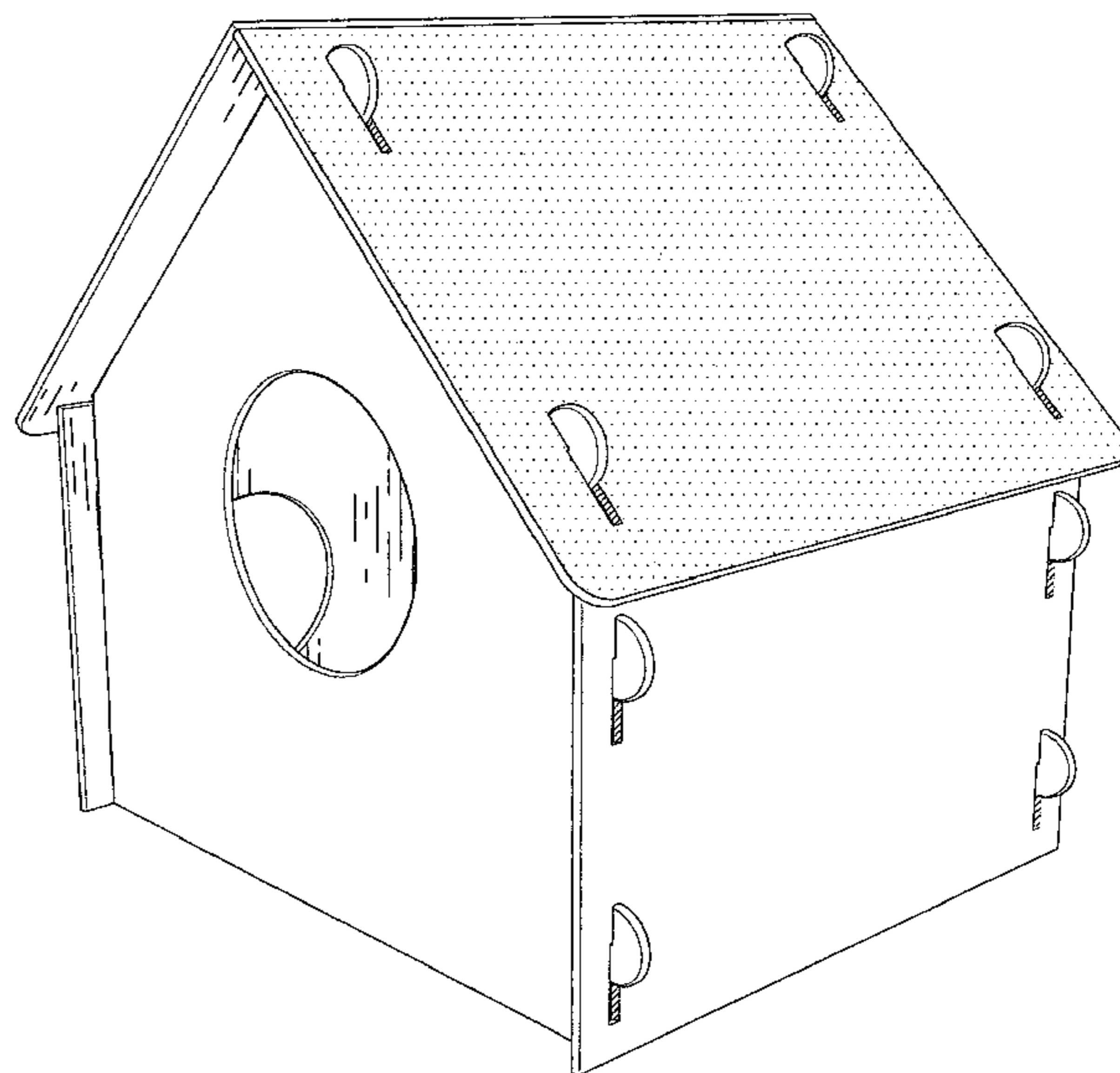
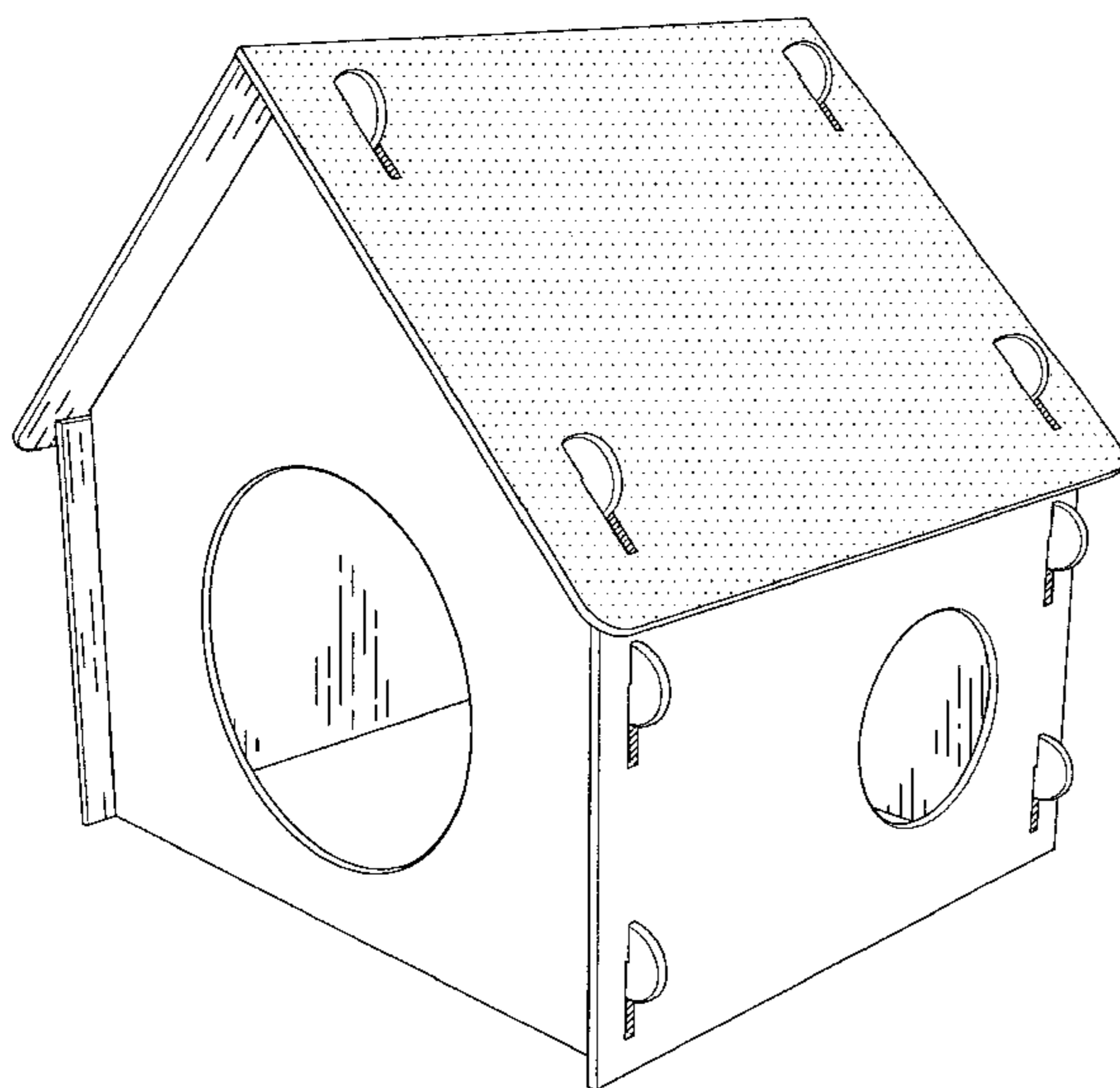
(57) **CLAIM**

The ornamental design for a children's playhouse, as shown and described.

DESCRIPTION

FIG. 1 is a perspective view of the top, front and right side showing my new design;
 FIG. 2 is a perspective view of the top, back and left side thereof;
 FIG. 3 is a perspective view of the back panel thereof;
 FIG. 4 is a perspective view of the back and left side panel thereof;
 FIG. 5 is a perspective view of the back, left side and front panel thereof;
 FIG. 6 is a perspective view of the back, left side, front and right side panel thereof; and,
 FIG. 7 is a perspective view of the back, left side, front, right side and left roof panel thereof.
 An erasable writing surface, shown on the drawings as a dotted hatch, is on the top of the roof panels.
 Elements of the playhouse in FIGS. 2-7 are shown separately for ease and clarity of illustration.

1 Claim, 7 Drawing Sheets



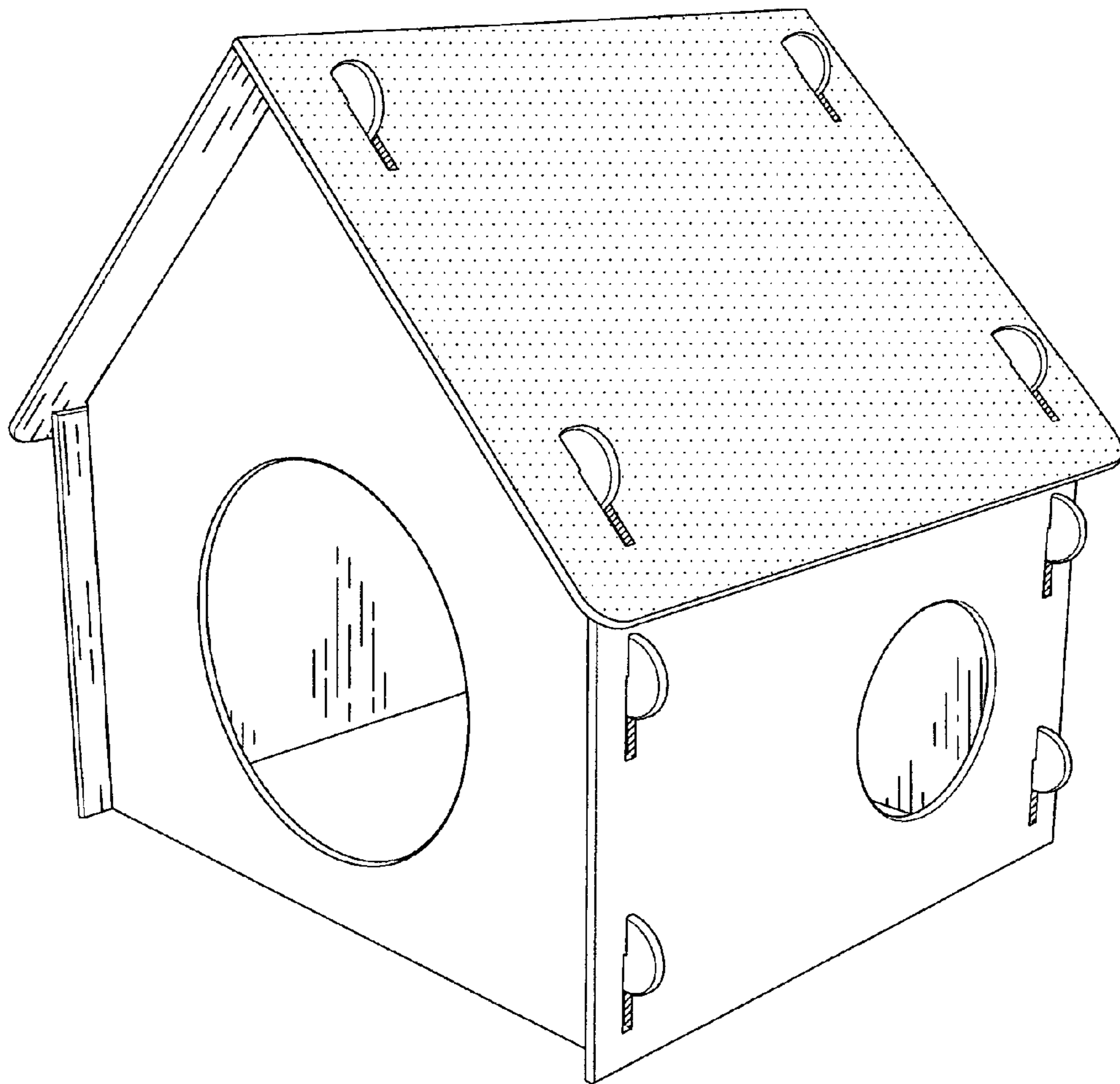


Fig. 1

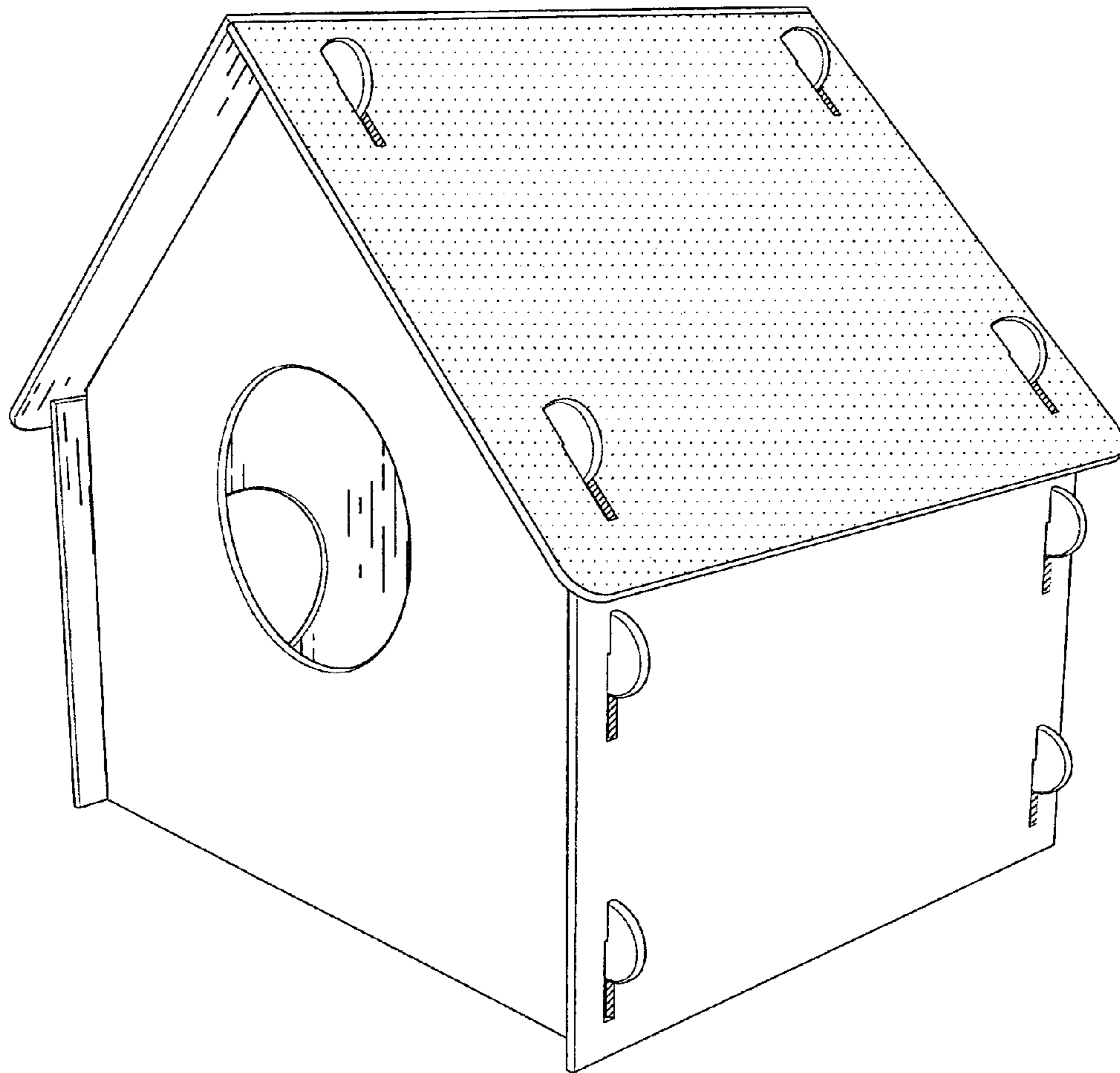


Fig. 2

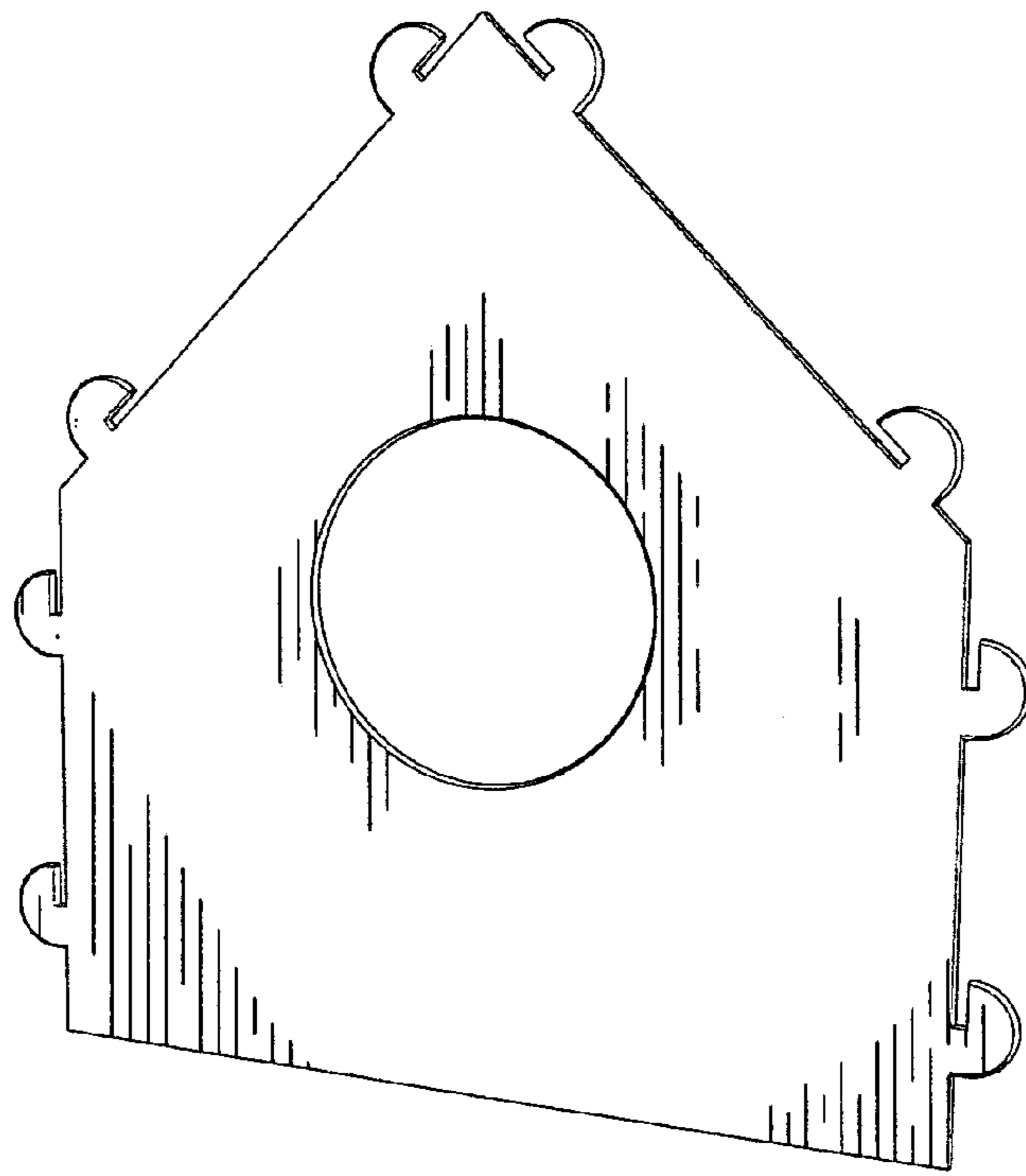


Fig. 3

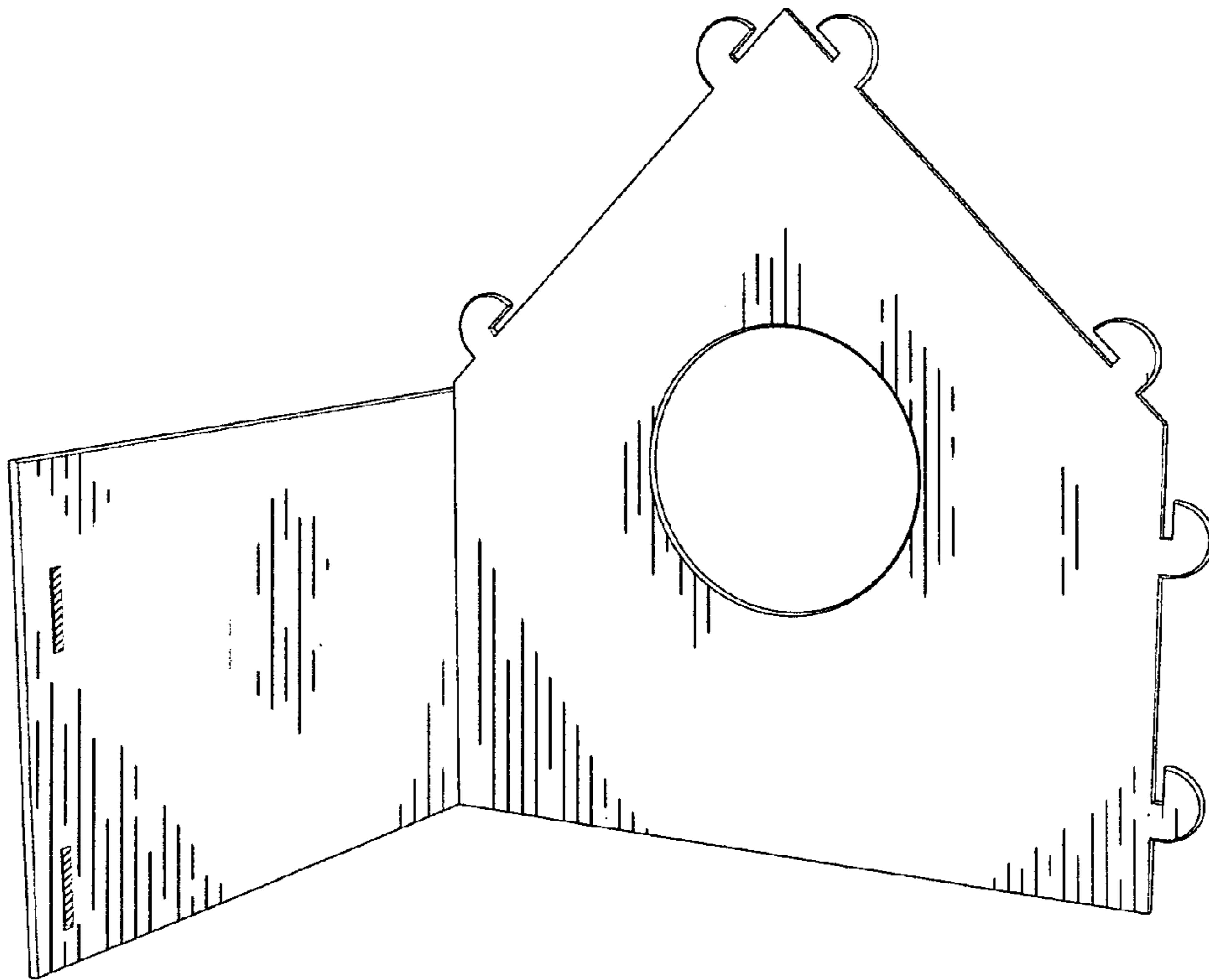


Fig. 4

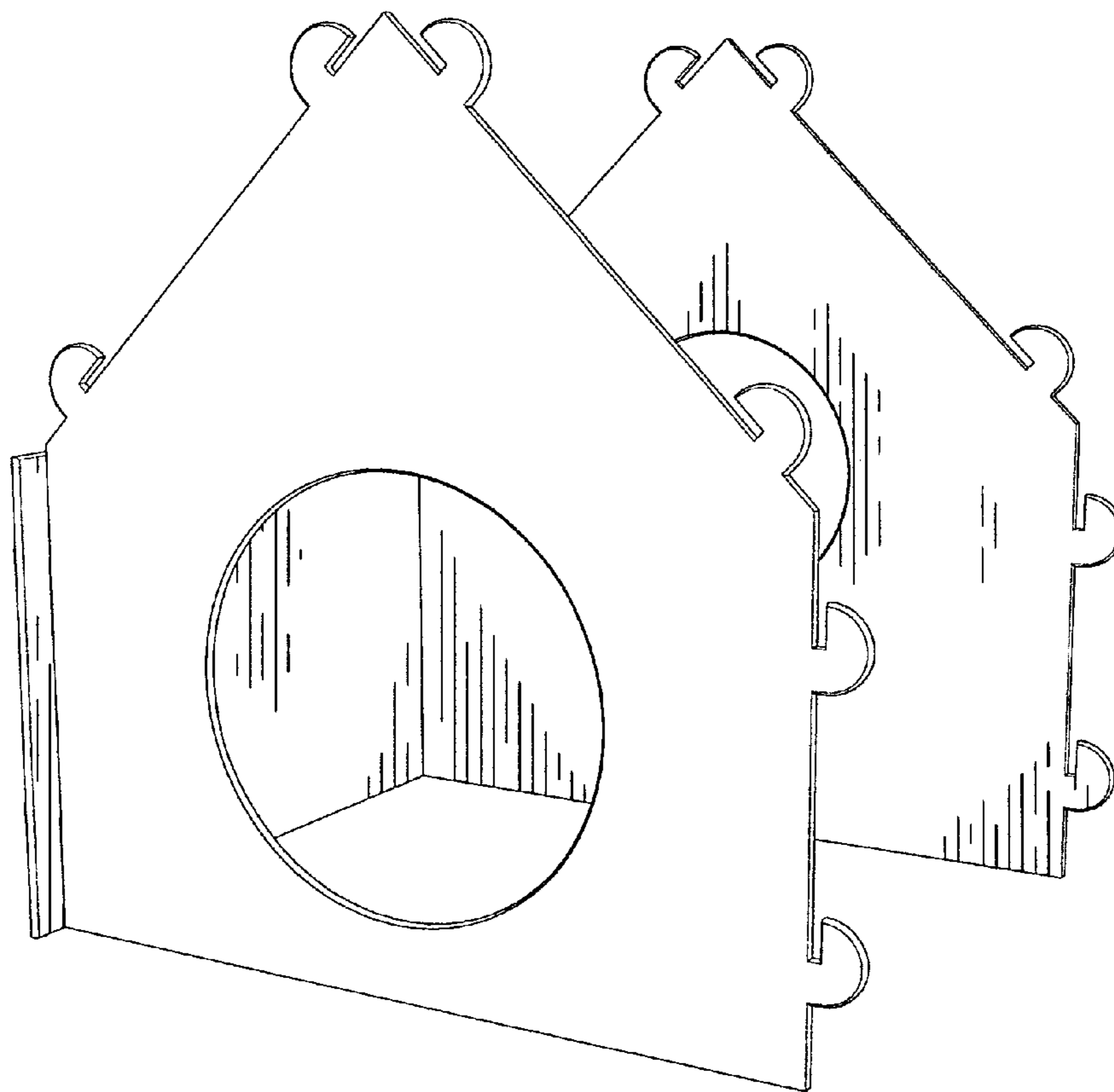


Fig. 5

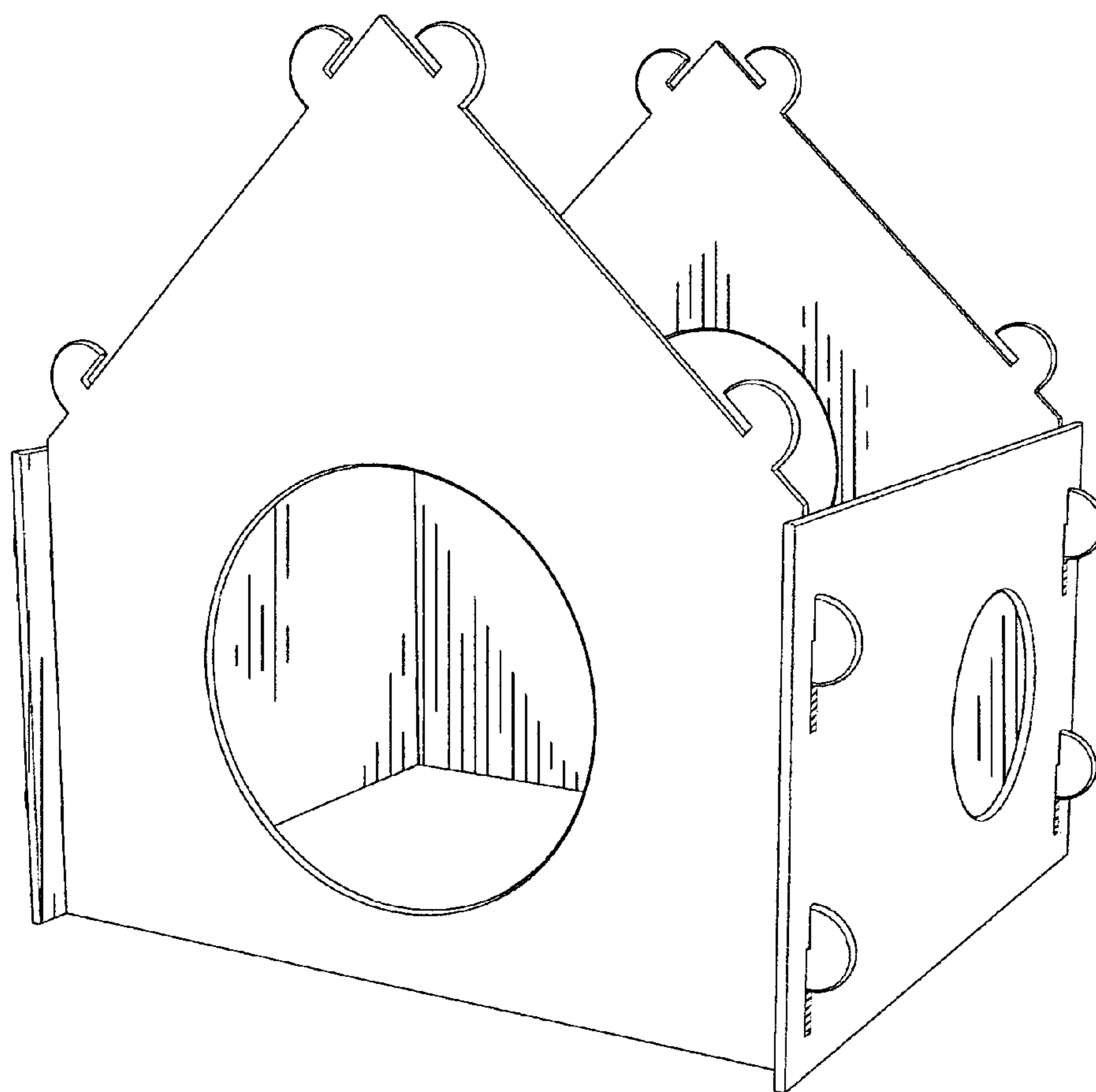


Fig. 6

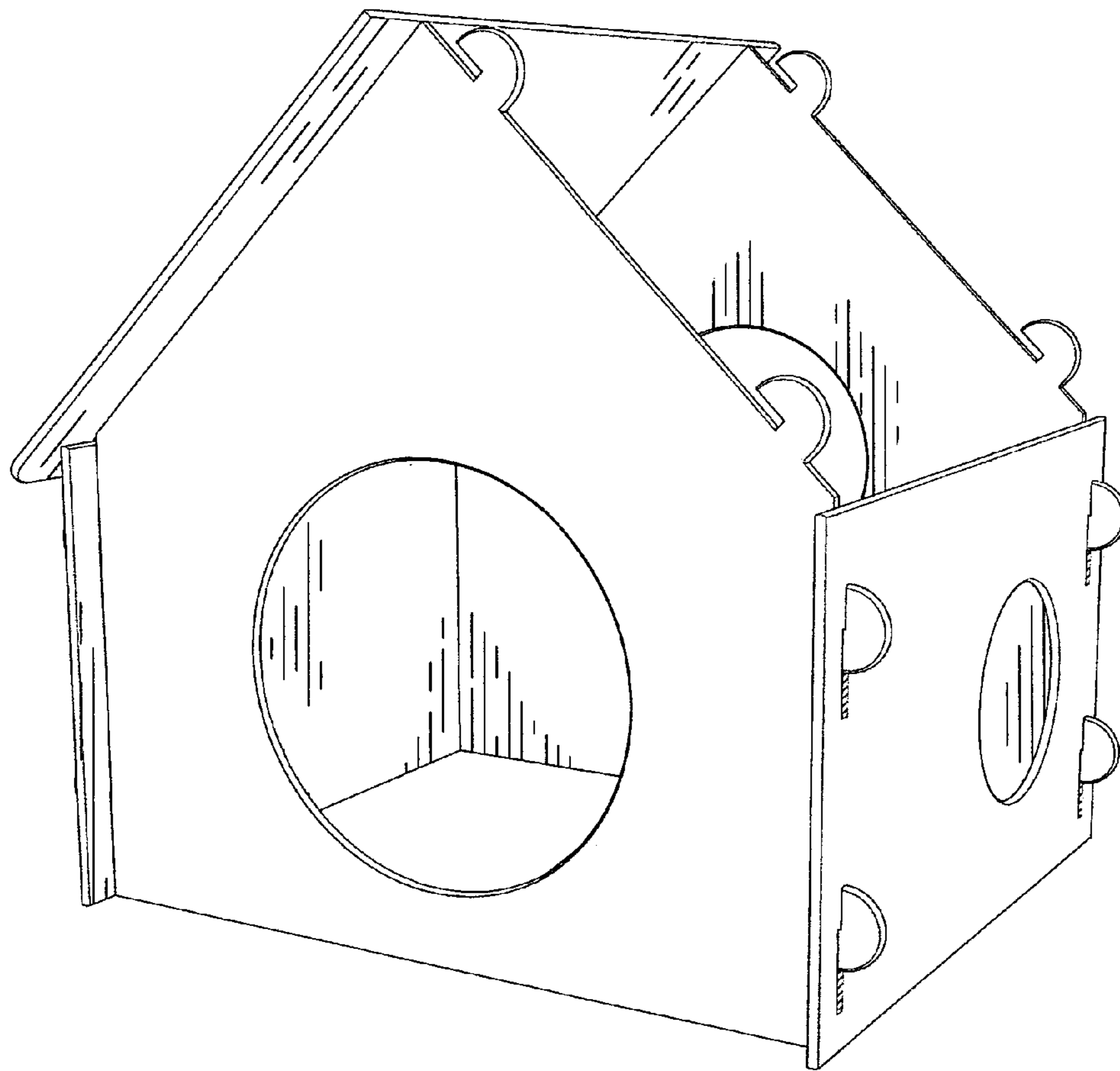


Fig. 7