

US00D699791S

(12) **United States Design Patent**
Sugino et al.

(10) **Patent No.:** **US D699,791 S**

(45) **Date of Patent:** **** Feb. 18, 2014**

(54) **EXPANSION CONTROLLER FOR PORTABLE ELECTRONIC COMPUTER**

(56) **References Cited**

(71) Applicant: **Nintendo Co., Ltd.**, Kyoto (JP)

(72) Inventors: **Kenichi Sugino**, Kyoto (JP); **Kochi Kawai**, Kyoto (JP); **Shinji Hirose**, Kyoto (JP)

(73) Assignee: **Nintendo Co., Ltd.**, Kyoto (JP)

(**) Term: **14 Years**

(21) Appl. No.: **29/445,213**

(22) Filed: **Feb. 8, 2013**

(30) **Foreign Application Priority Data**

Aug. 9, 2012 (JP) 2012-019145

(51) **LOC (10) Cl.** **21-01**

(52) **U.S. Cl.**
USPC **D21/333**

(58) **Field of Classification Search**
USPC D21/324-333, 369, 385; 273/148 B, 273/148 R, 461; D14/496, 338, 348, 356, D14/432, 433, 471, 474, 137, 160, 168, 188, D14/203.1-203.8, 219, 265, 257; 345/156-161, 1.1; 455/344-351; 369/6-12; 463/1, 29-35, 46, 47

See application file for complete search history.

U.S. PATENT DOCUMENTS

6,241,247	B1 *	6/2001	Sternberg et al.	273/148 B
6,530,570	B2 *	3/2003	Ku	273/148 B
6,587,333	B2 *	7/2003	Tseng et al.	361/679.05
D655,351	S *	3/2012	Zenri et al.	D21/333
D656,555	S *	3/2012	Zenri et al.	D21/333
D666,250	S *	8/2012	Fulghum et al.	D21/333
D682,947	S *	5/2013	Akama et al.	D21/333

OTHER PUBLICATIONS

U.S. Appl. No. 13/096,542, filed Apr. 28, 2011 (pending).
Design U.S. Appl. No. 29/405,245, filed Oct. 31, 2011(abandoned).
Design U.S. Appl. No. 29/413,073, filed Feb. 10, 2012 (pending).
Design U.S. Appl. No. 29/439,975, filed Dec. 18, 2012 (pending).

* cited by examiner

Primary Examiner — Prabhakar Deshmukh
(74) *Attorney, Agent, or Firm* — Nixon & Vanderhye, P.C.

(57) **CLAIM**
The ornamental design for an expansion controller for portable electronic computer, as shown and described.

DESCRIPTION

FIG. 1 is front, right and bottom perspective view of an expansion controller for portable electronic computer showing our new design;
FIG. 2 is rear, left and top perspective view thereof;
FIG. 3 is a front view thereof;
FIG. 4 is a rear view thereof;
FIG. 5 is a top plan view thereof;
FIG. 6 is a bottom plan view thereof;
FIG. 7 is a left side view thereof; and,
FIG. 8 is a right side view thereof.

1 Claim, 3 Drawing Sheets

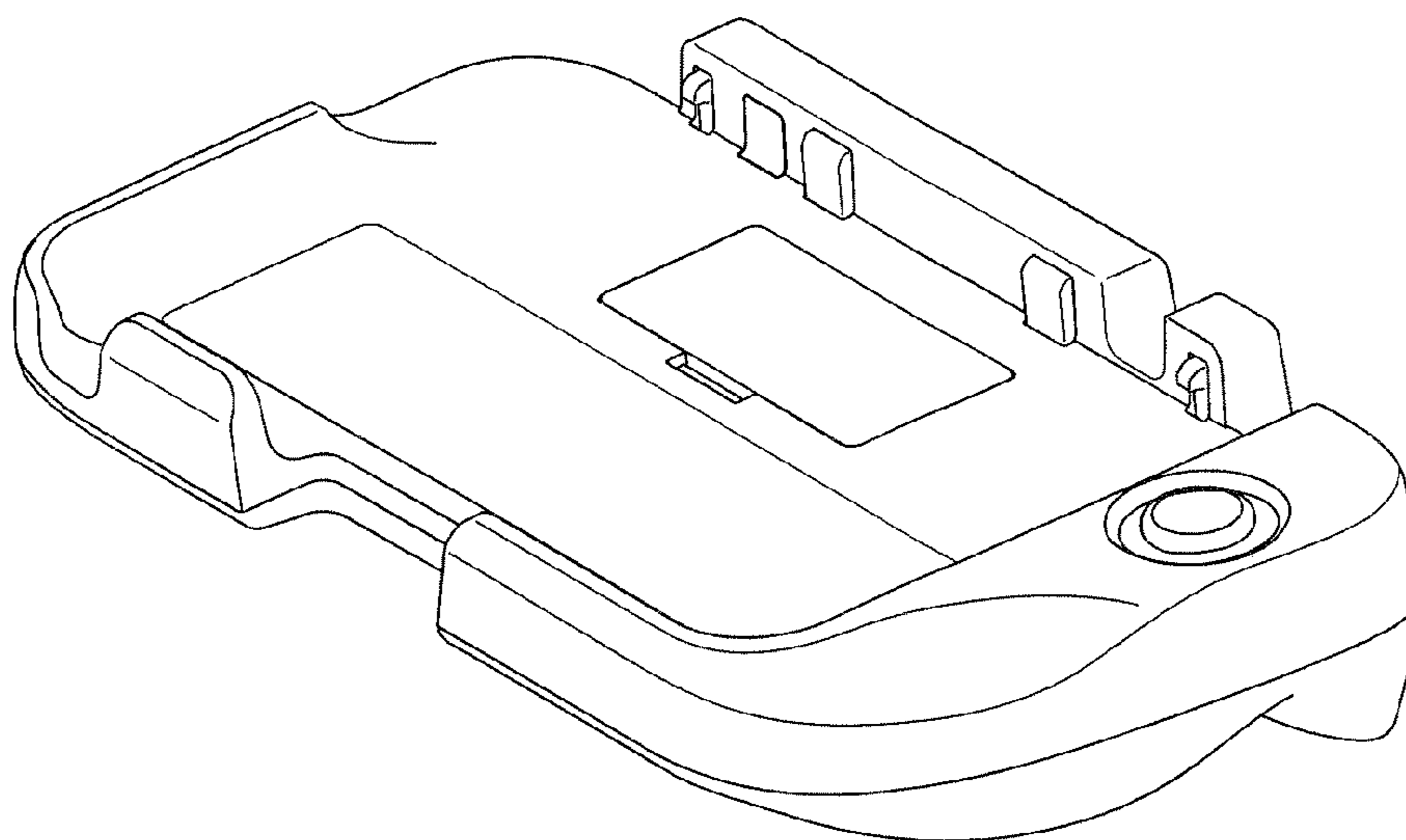


FIG. 1

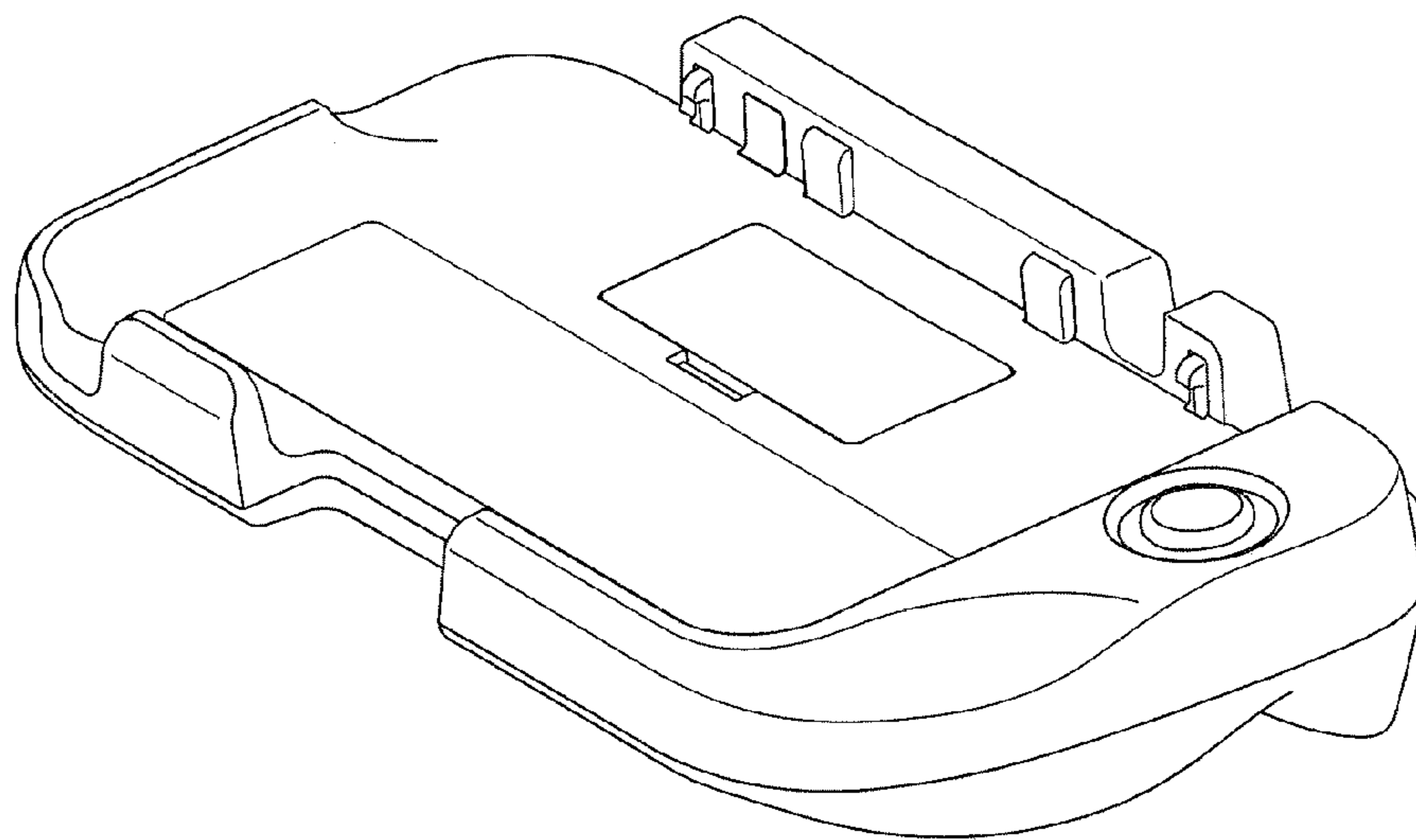


FIG. 2

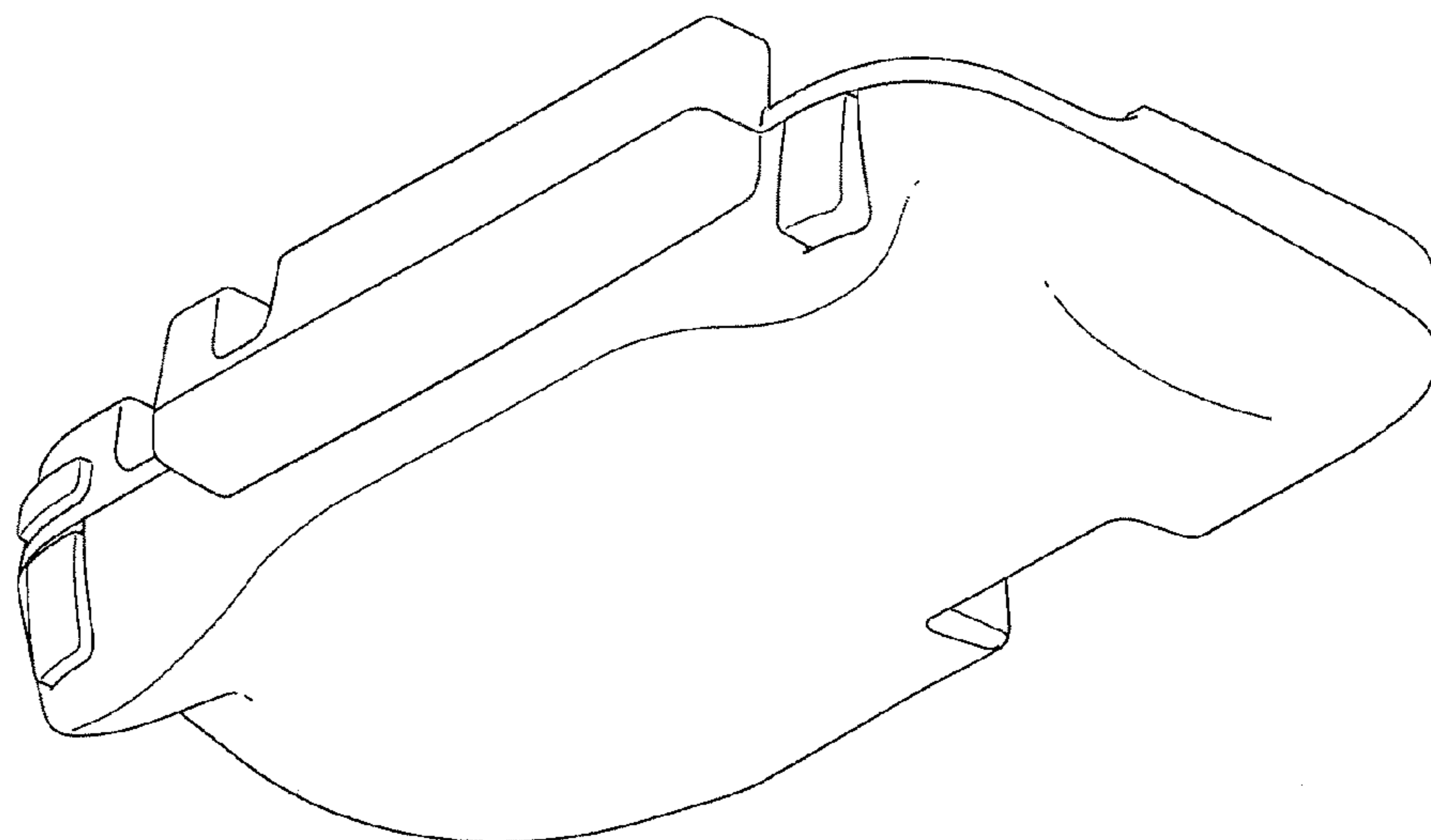


FIG. 3

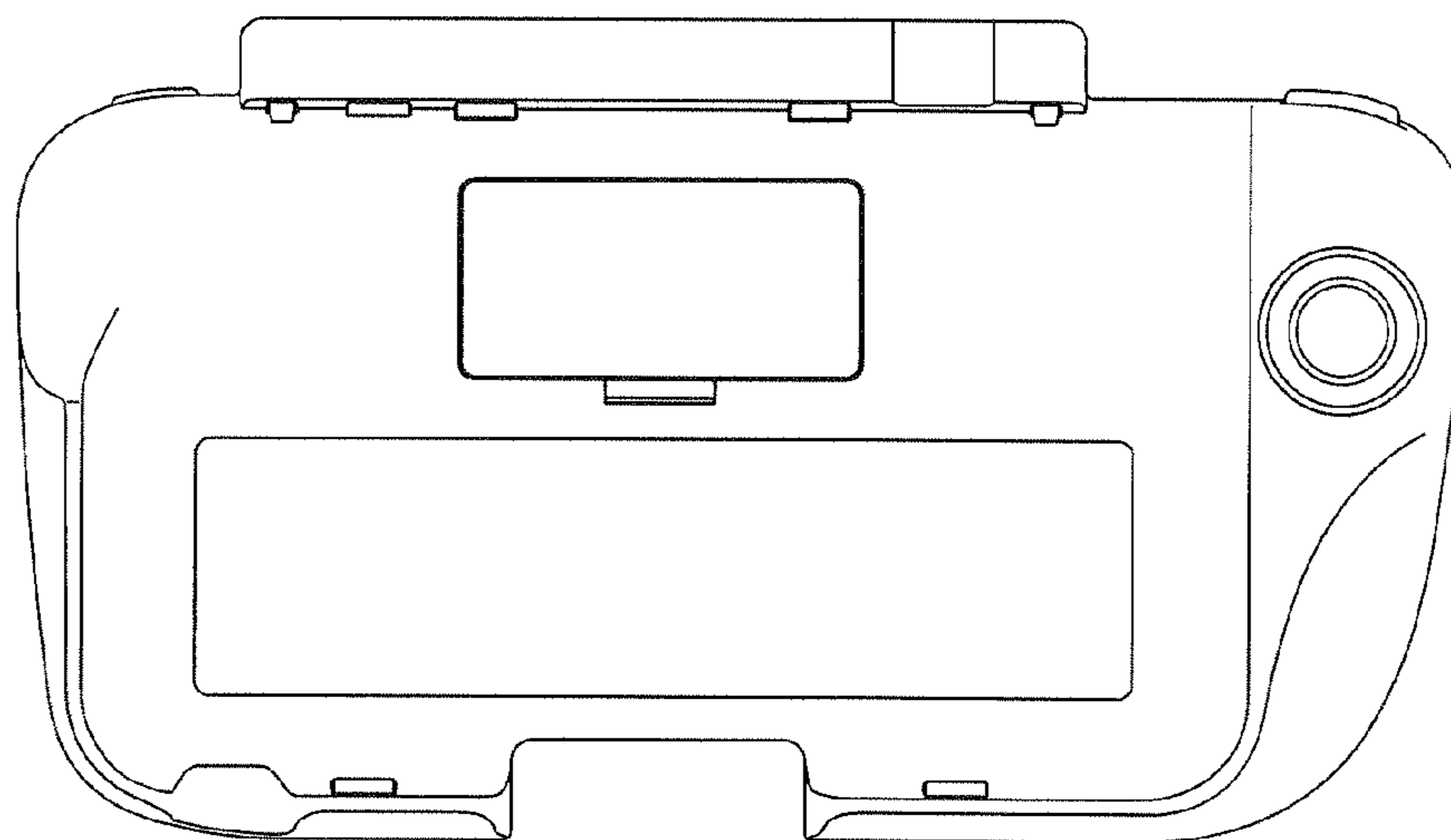


FIG. 4

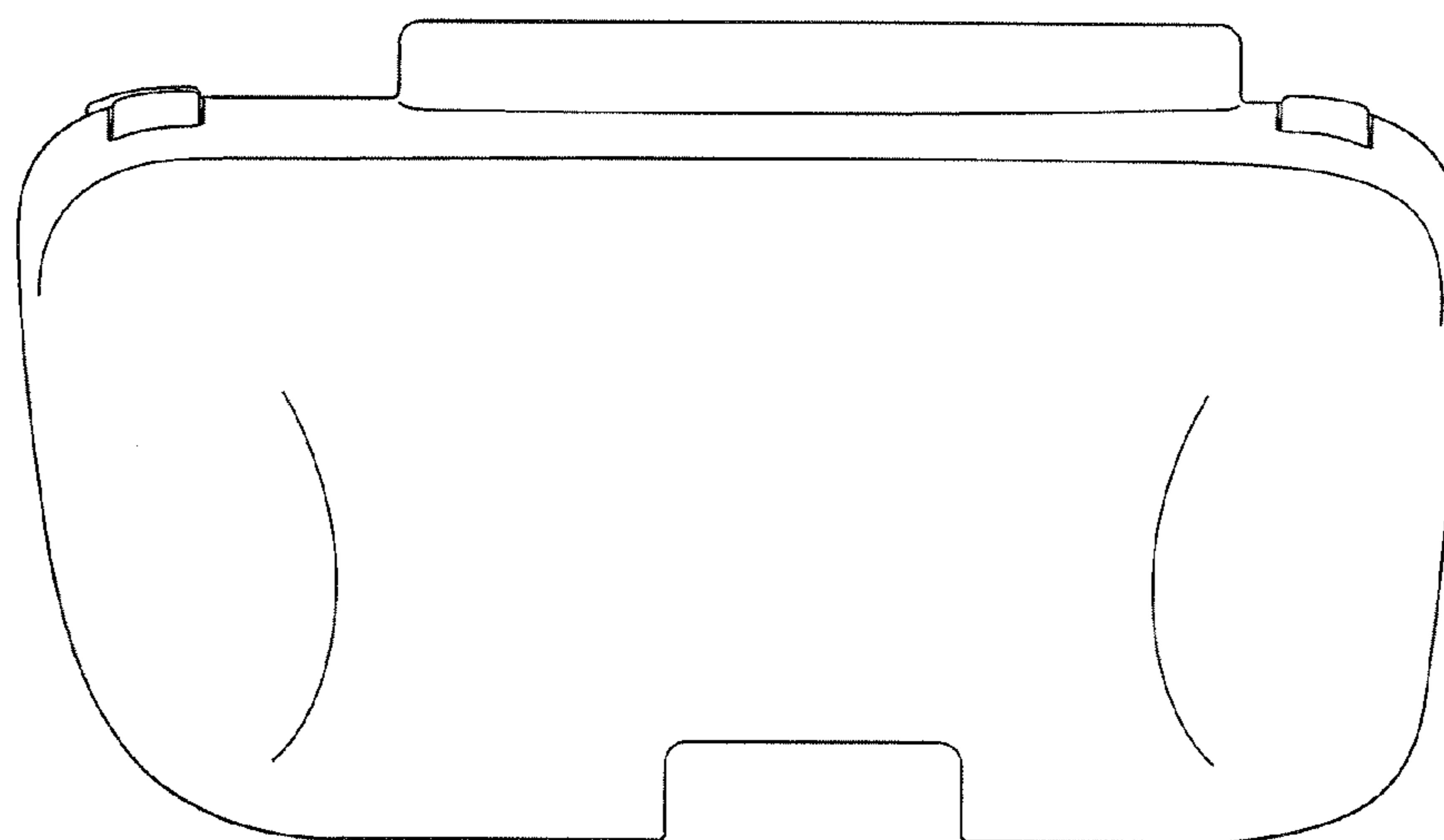


FIG. 5

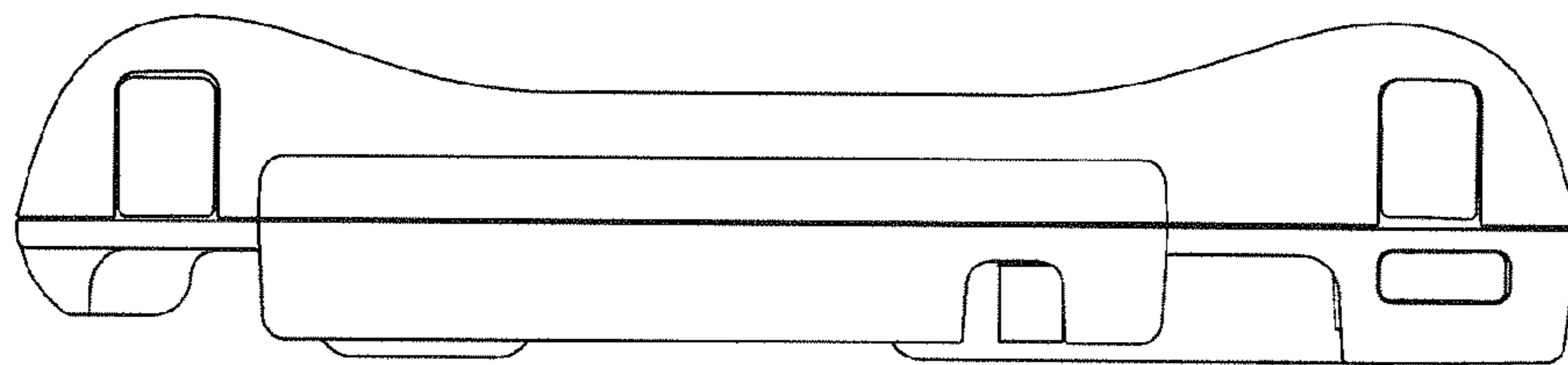


FIG. 6

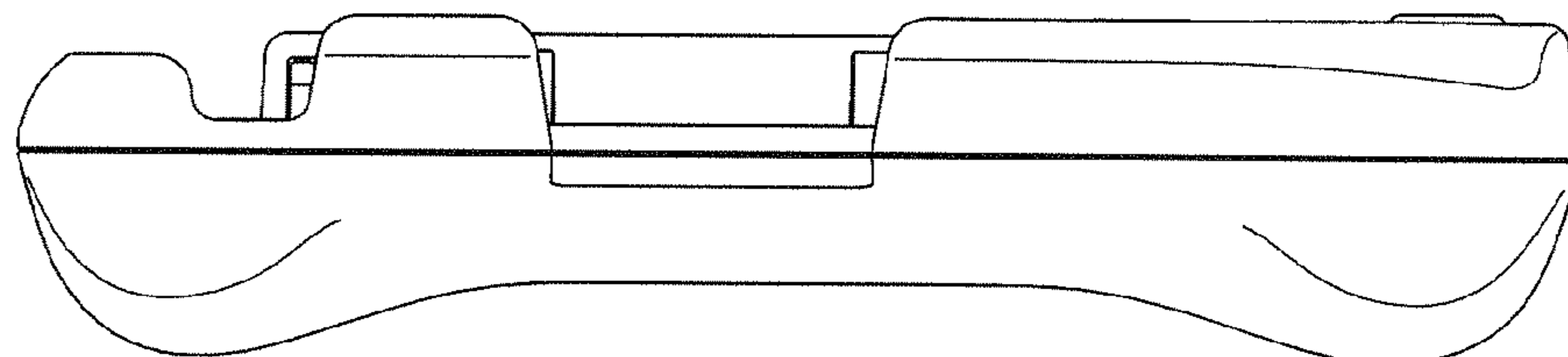


FIG. 7

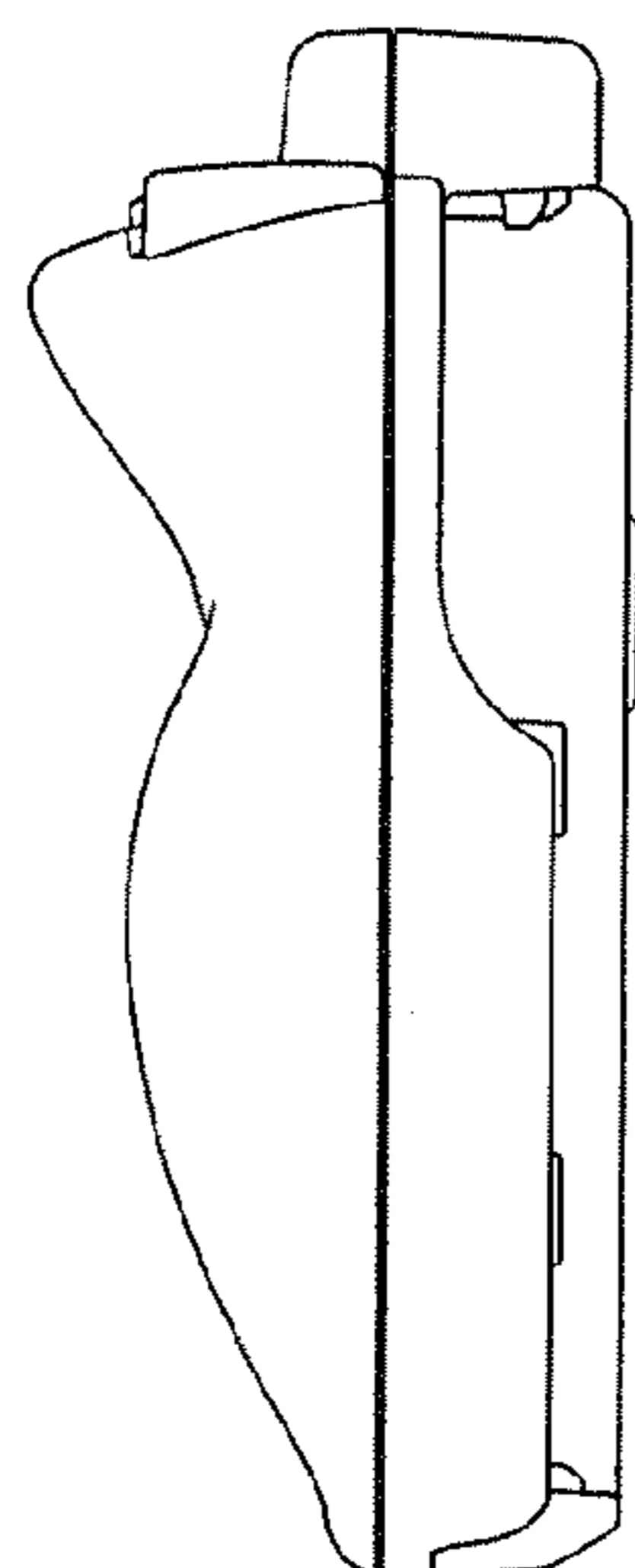


FIG. 8

