



US00D699789S

(12) **United States Design Patent**
Allen

(10) **Patent No.:** **US D699,789 S**
(45) **Date of Patent:** **** Feb. 18, 2014**

(54) **PAIR OF ADVERTISING PANELS AFFIXED TO THE ENTRY PORTION OF A SHOPPING CART CORRAL**

(71) Applicant: **Starlite Media, LLC**, New York, NY (US)

(72) Inventor: **Joseph Allen**, Murrieta, CA (US)

(73) Assignee: **Starlite Media, LLC**, New York, NY (US)

(**) Term: **14 Years**

(21) Appl. No.: **29/456,163**

(22) Filed: **May 29, 2013**

Related U.S. Application Data

(60) Continuation of application No. 29/432,660, filed on Sep. 18, 2012, which is a division of application No. 29/405,487, filed on Nov. 2, 2011, now Pat. No. Des. 667,504, which is a continuation of application No. 29/387,041, filed on Mar. 8, 2011, now Pat. No. Des. 653,709, which is a continuation of application No. 29/364,404, filed on Jun. 23, 2010, now abandoned, which is a continuation of application No. 29/314,253, filed on Mar. 17, 2009, now abandoned.

(51) **LOC (10) Cl.** **20-03**

(52) **U.S. Cl.**
USPC **D20/19**

(58) **Field of Classification Search**
USPC D20/10, 17-19, 39, 41-43, 99; 40/446, 40/538, 541, 584, 585, 617, 606.03; D25/22, 32, 38.1; 211/17; 256/25

See application file for complete search history.

(56) **References Cited**

U.S. PATENT DOCUMENTS

D31,832 S	11/1899	Marcus
1,927,997 A	9/1933	Turner et al.
2,165,724 A	7/1939	Le
2,985,316 A	5/1961	Ruhnke
3,323,655 A	6/1967	Foran et al.
D219,946 S	2/1971	Birnberg
3,722,702 A	3/1973	Marker, Jr.
4,236,697 A	12/1980	Savino
4,292,352 A	9/1981	Singer
4,364,192 A	12/1982	Lloyd
D269,978 S	8/1983	Dickson
4,609,183 A	9/1986	Ulmer
D286,074 S	10/1986	Corte
4,777,750 A	10/1988	Garfinkle
4,884,353 A	12/1989	Taylor

(Continued)

Primary Examiner — Mary Ann Calabrese

(74) *Attorney, Agent, or Firm* — Bryan Cave LLP

(57) **CLAIM**

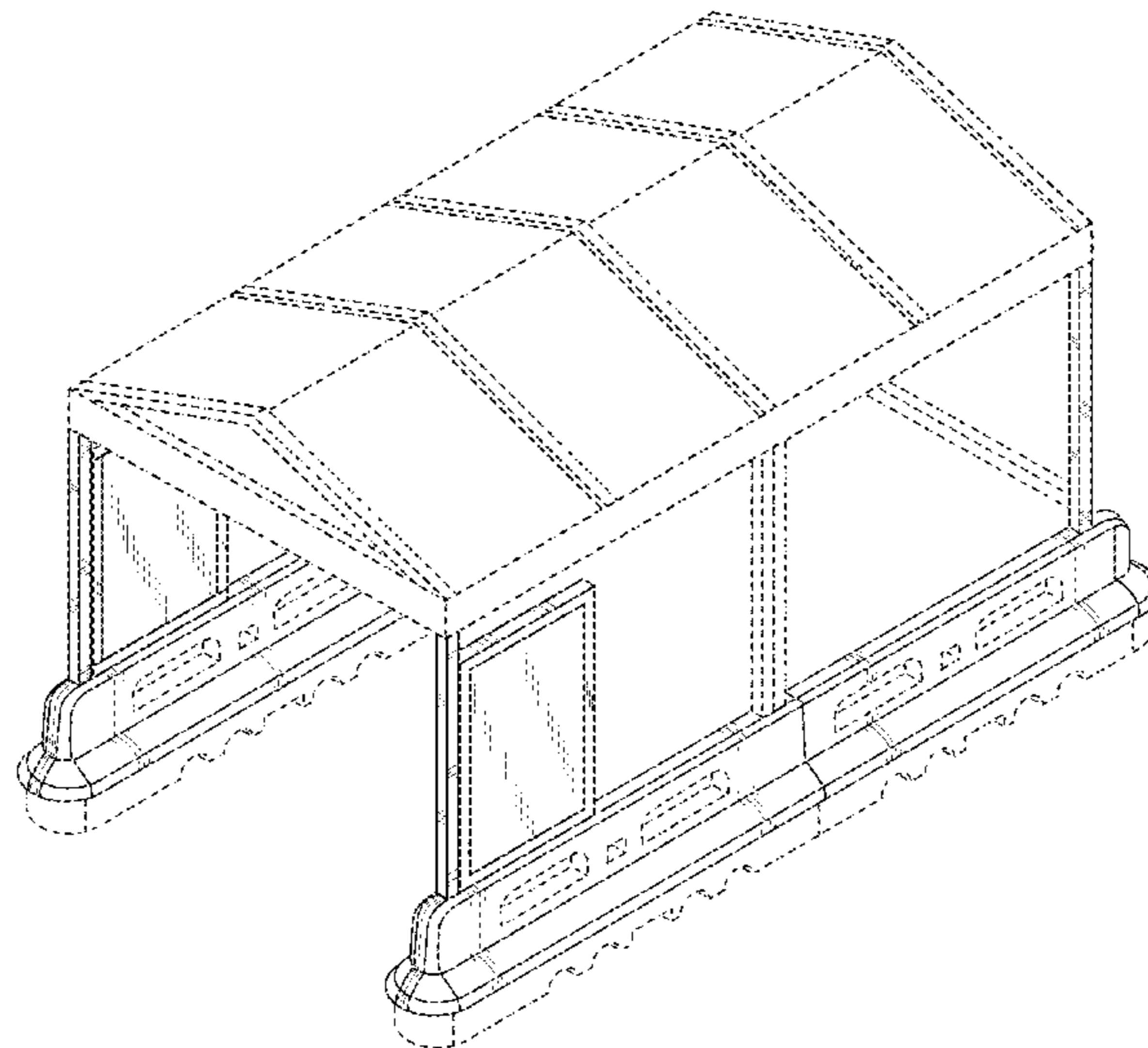
The ornamental design for a pair of advertising panels affixed to the entry portion of a shopping cart corral, as shown and described.

DESCRIPTION

FIG. 1 is a top isometric view of a pair of advertising panels affixed to the entry portion of a shopping cart corral; FIG. 2 is a side view thereof; FIG. 3 is a front view thereof; FIG. 4 is a top view thereof; FIG. 5 is a top isometric view of a pair of advertising panels affixed to the entry portion of a shopping cart corral; FIG. 6 is a side view thereof; FIG. 7 is a front view thereof; and, FIG. 8 is a top view thereof.

The broken line showings of the shopping cart corral in FIGS. 1-8 are for the purpose of illustrating an environment only and form no part of the claimed design.

1 Claim, 8 Drawing Sheets



(56)

References Cited

U.S. PATENT DOCUMENTS

4,918,878 A 4/1990 Paschke et al.
 D321,798 S 11/1991 Buckley
 D334,301 S 3/1993 Buckley
 5,201,426 A 4/1993 Cruwell
 5,220,740 A 6/1993 Brault
 5,279,085 A 1/1994 DiPaolo et al.
 D350,038 S 8/1994 Buckley
 D361,448 S 8/1995 Buckley
 5,551,578 A 9/1996 McCue et al.
 D376,854 S 12/1996 DiPaolo et al.
 5,626,926 A 5/1997 Roberts
 5,862,921 A 1/1999 Venegas
 5,875,578 A 3/1999 Grewe
 5,878,518 A 3/1999 Grewe
 6,298,997 B1 10/2001 Jarrett et al.
 6,449,888 B1 9/2002 Gibbs
 6,493,997 B2 12/2002 Cohen
 6,581,616 B1 6/2003 Venegas
 D488,904 S 4/2004 Unnerstall et al.
 D492,732 S 7/2004 Herbst
 D495,011 S 8/2004 Trubiano

D497,167 S * 10/2004 Ozolins et al. D14/375
 7,044,446 B2 5/2006 Hempen et al.
 7,140,581 B1 11/2006 White
 D537,952 S 3/2007 Anton
 D540,472 S 4/2007 Van Es
 7,210,270 B1 5/2007 King et al
 7,237,360 B2 7/2007 Moncho et al.
 D587,761 S 3/2009 Grimshaw
 D588,201 S 3/2009 Kohagen et al.
 D615,129 S 5/2010 Allen
 D620,531 S 7/2010 Allen
 7,895,782 B2 3/2011 Farrell
 8,015,737 B2 9/2011 Venegas, Jr.
 D653,709 S 2/2012 Allen
 RE43,233 E 3/2012 Venegas, Jr.
 8,205,757 B2 6/2012 Allen
 D663,779 S 7/2012 Lueken
 D667,504 S 9/2012 Allen
 8,424,690 B2 4/2013 Allen
 D682,944 S 5/2013 Lueken
 2004/0079934 A1 4/2004 Hempen et al.
 2008/0040962 A1 2/2008 Gurren
 2008/0120877 A1 * 5/2008 Farrell 40/564
 2010/0327245 A1 12/2010 Allen

* cited by examiner

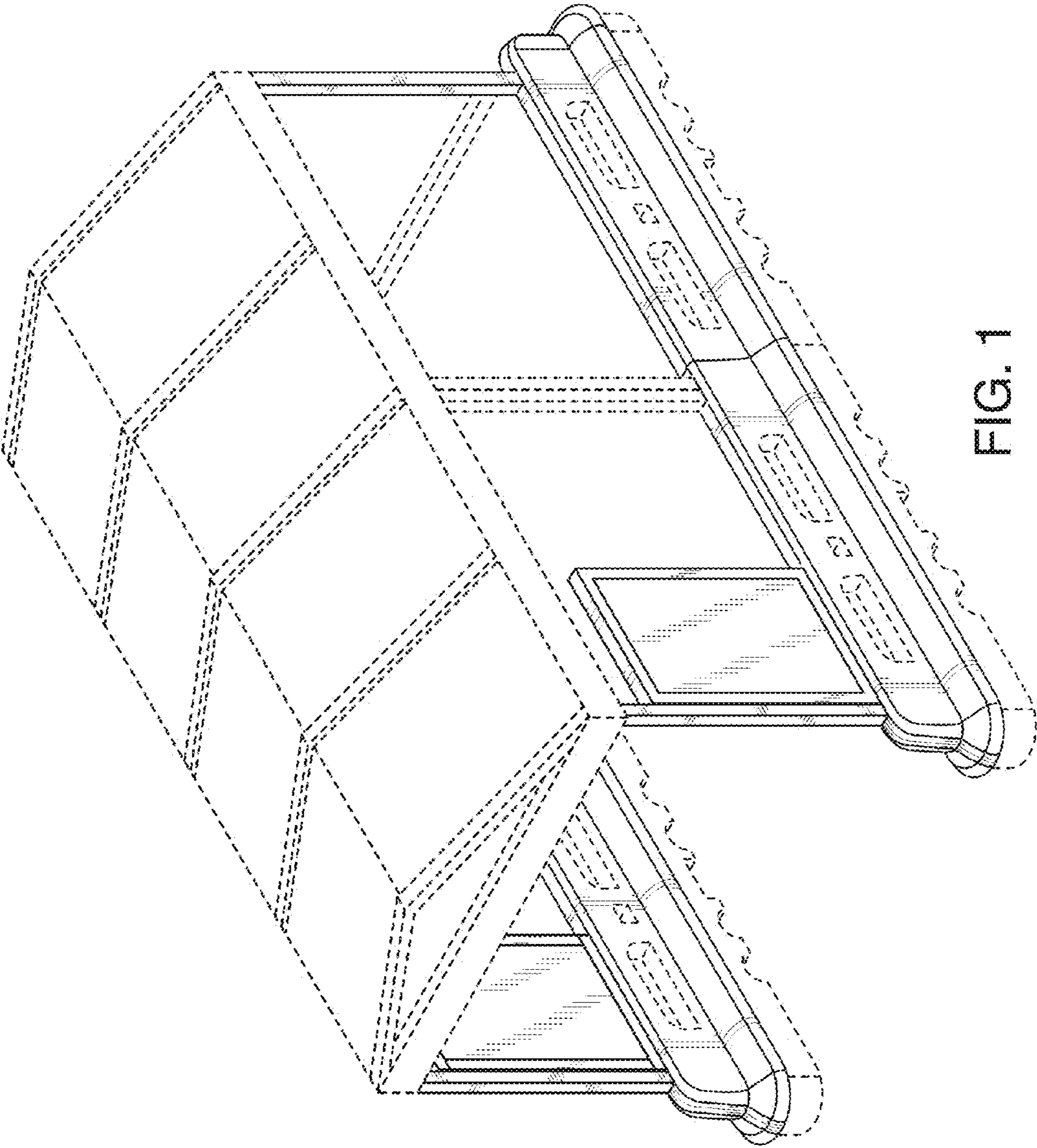


FIG. 1

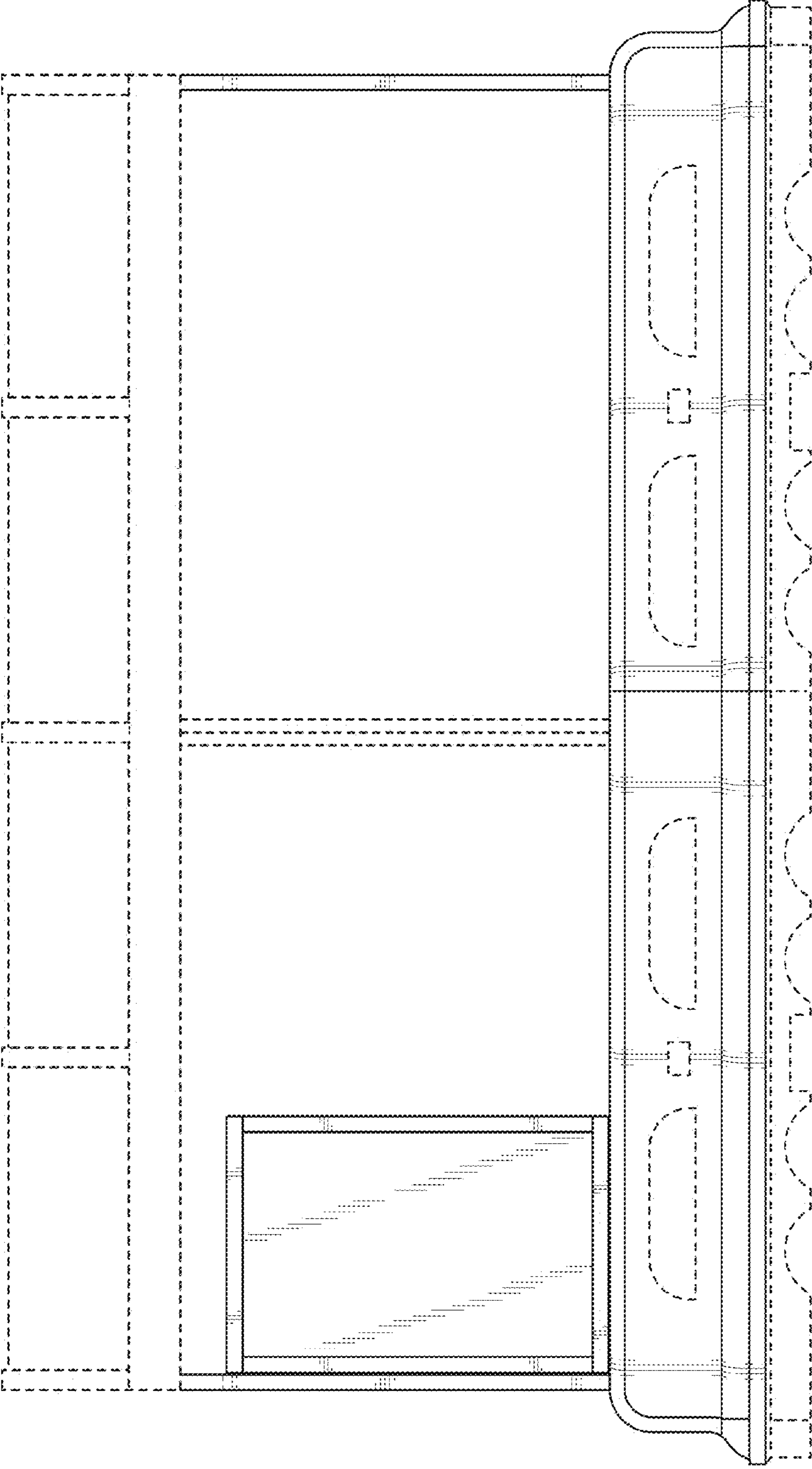


FIG. 2

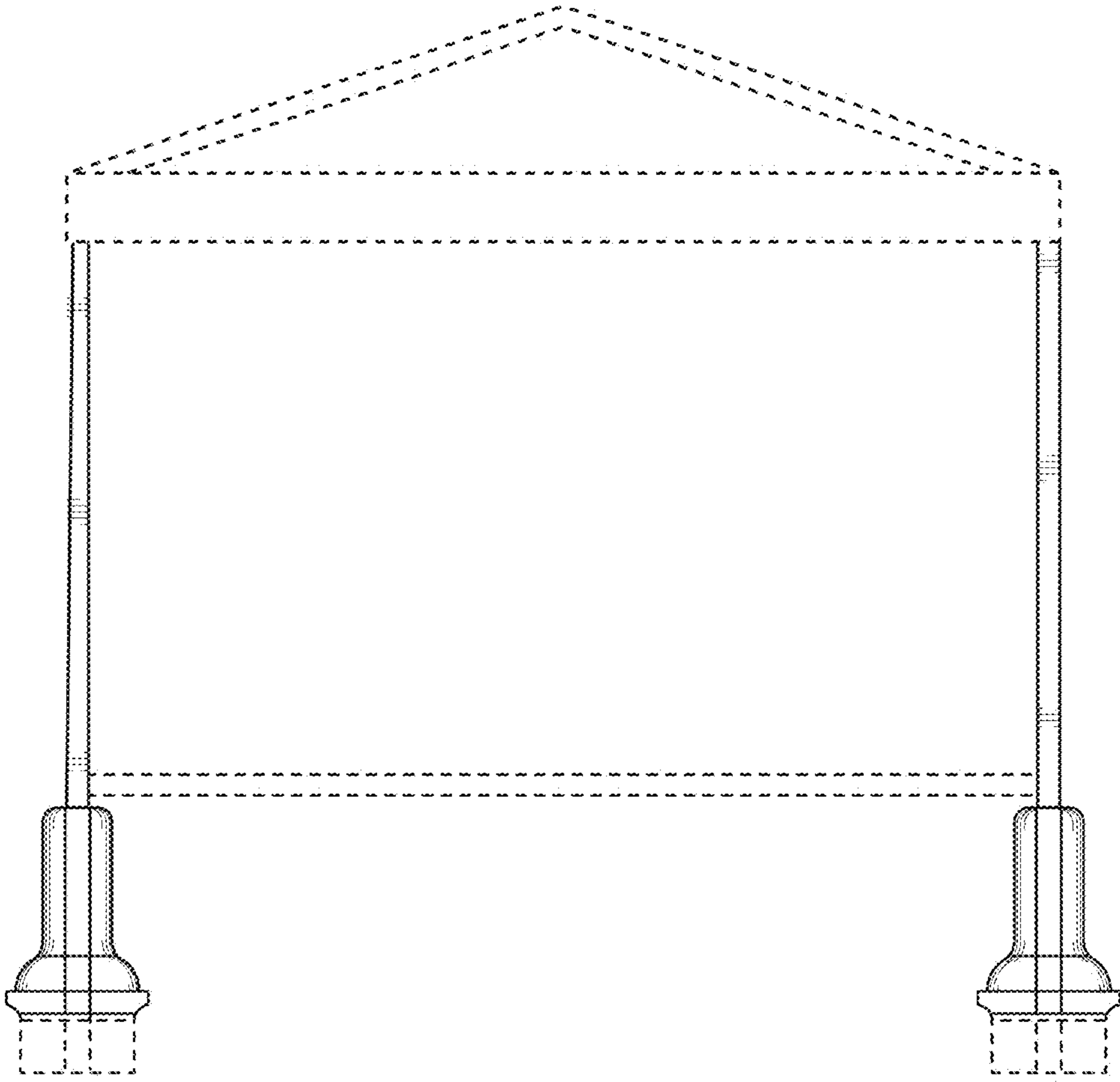


FIG. 3

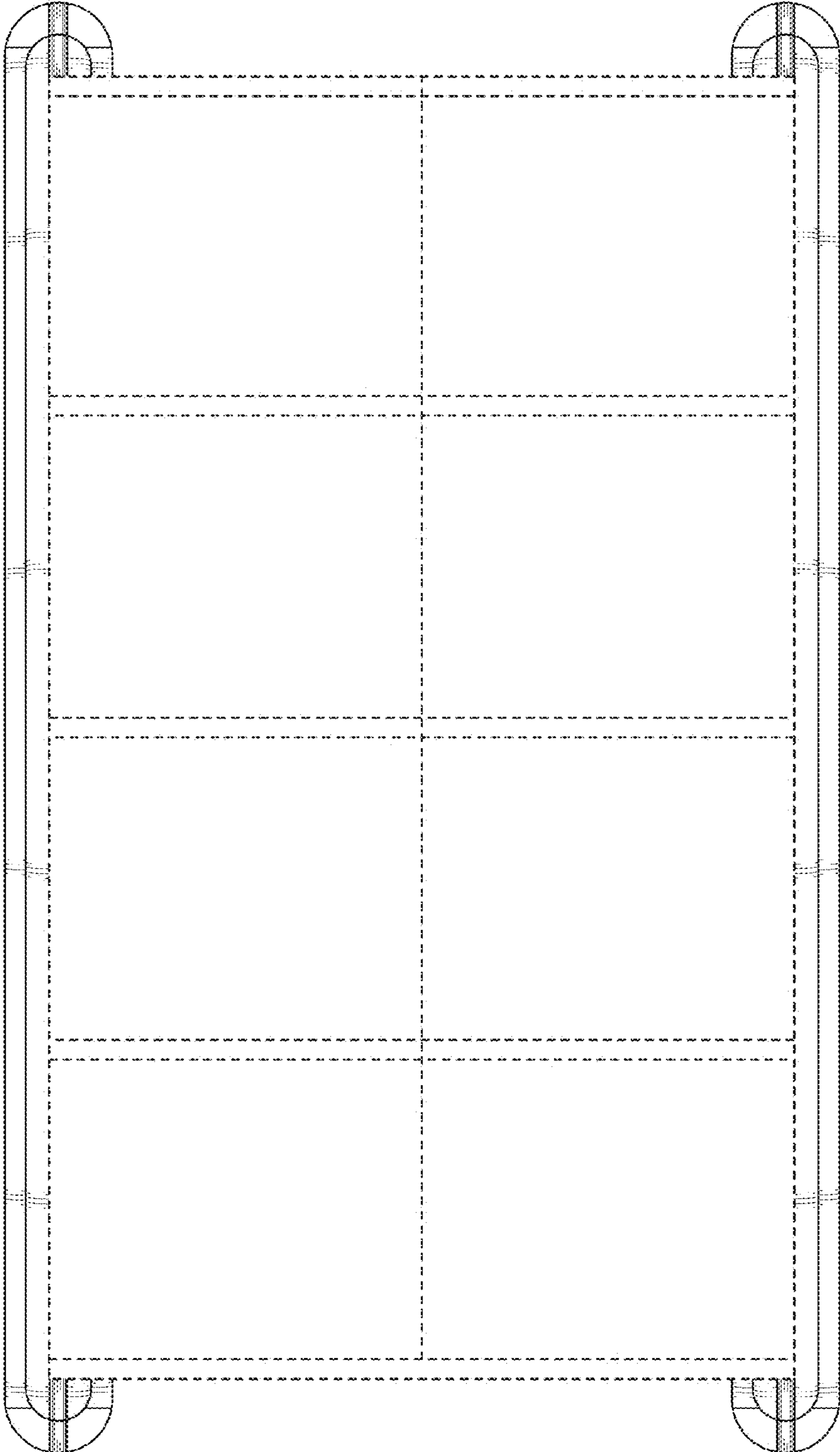


FIG. 4

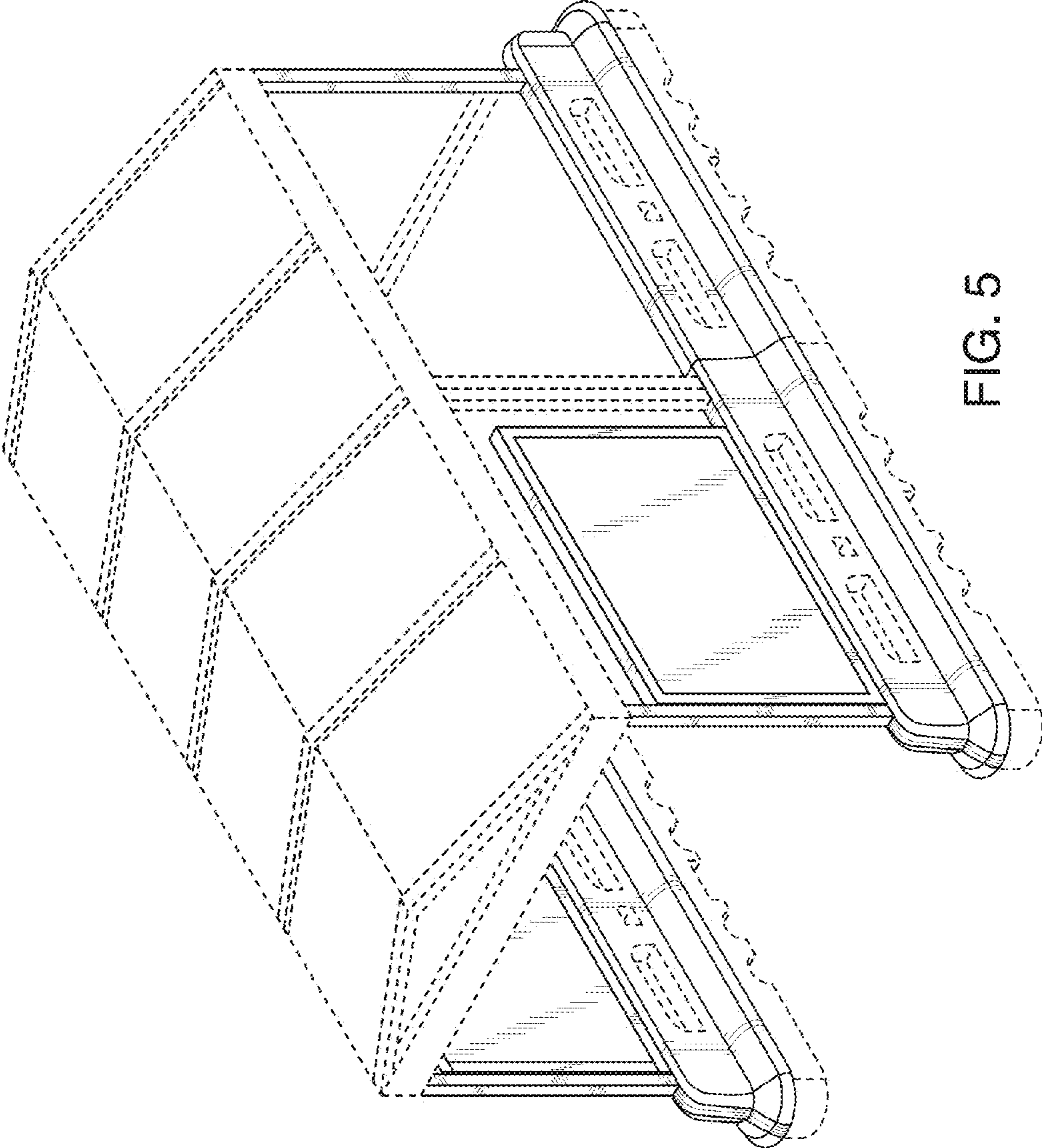


FIG. 5

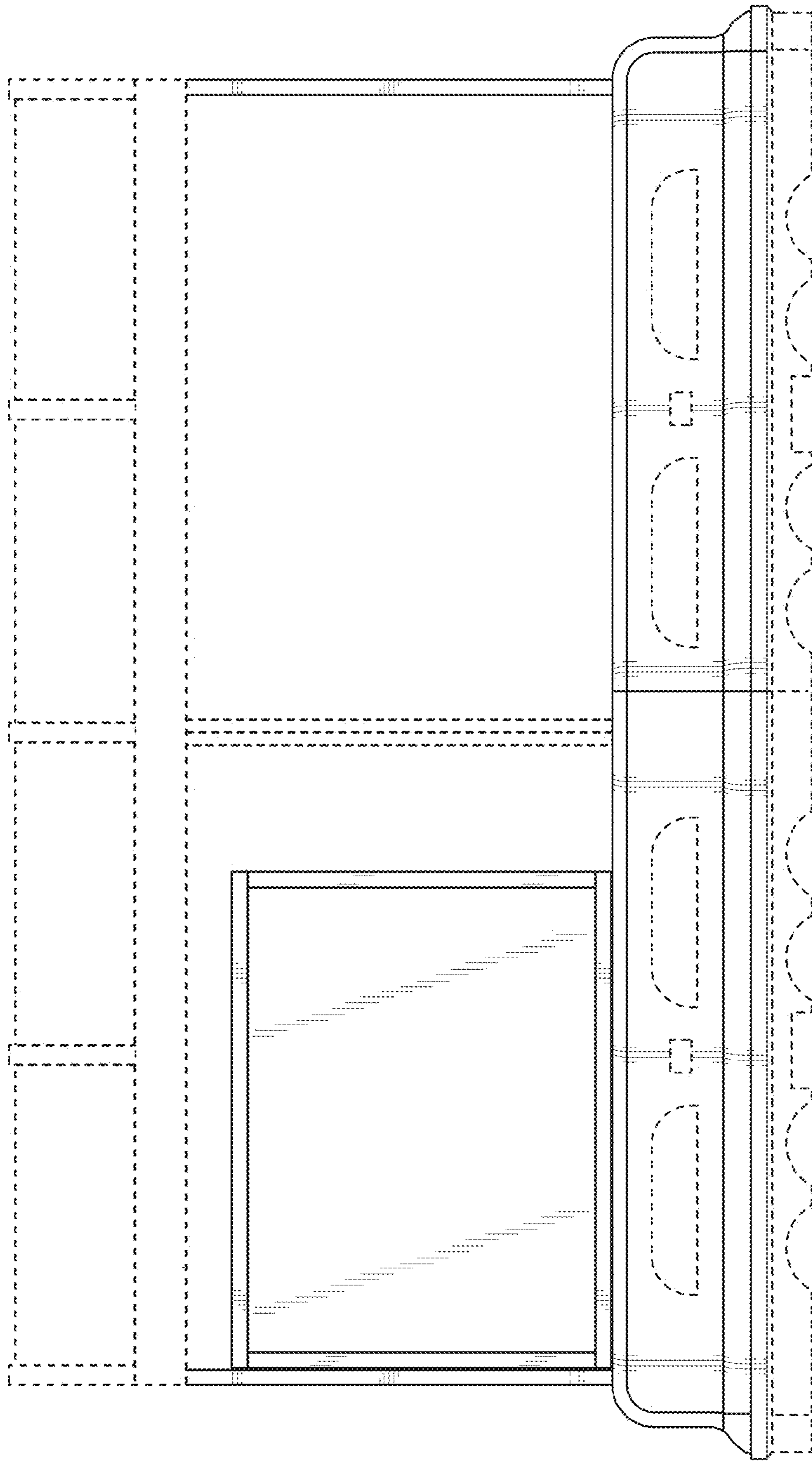


FIG. 6

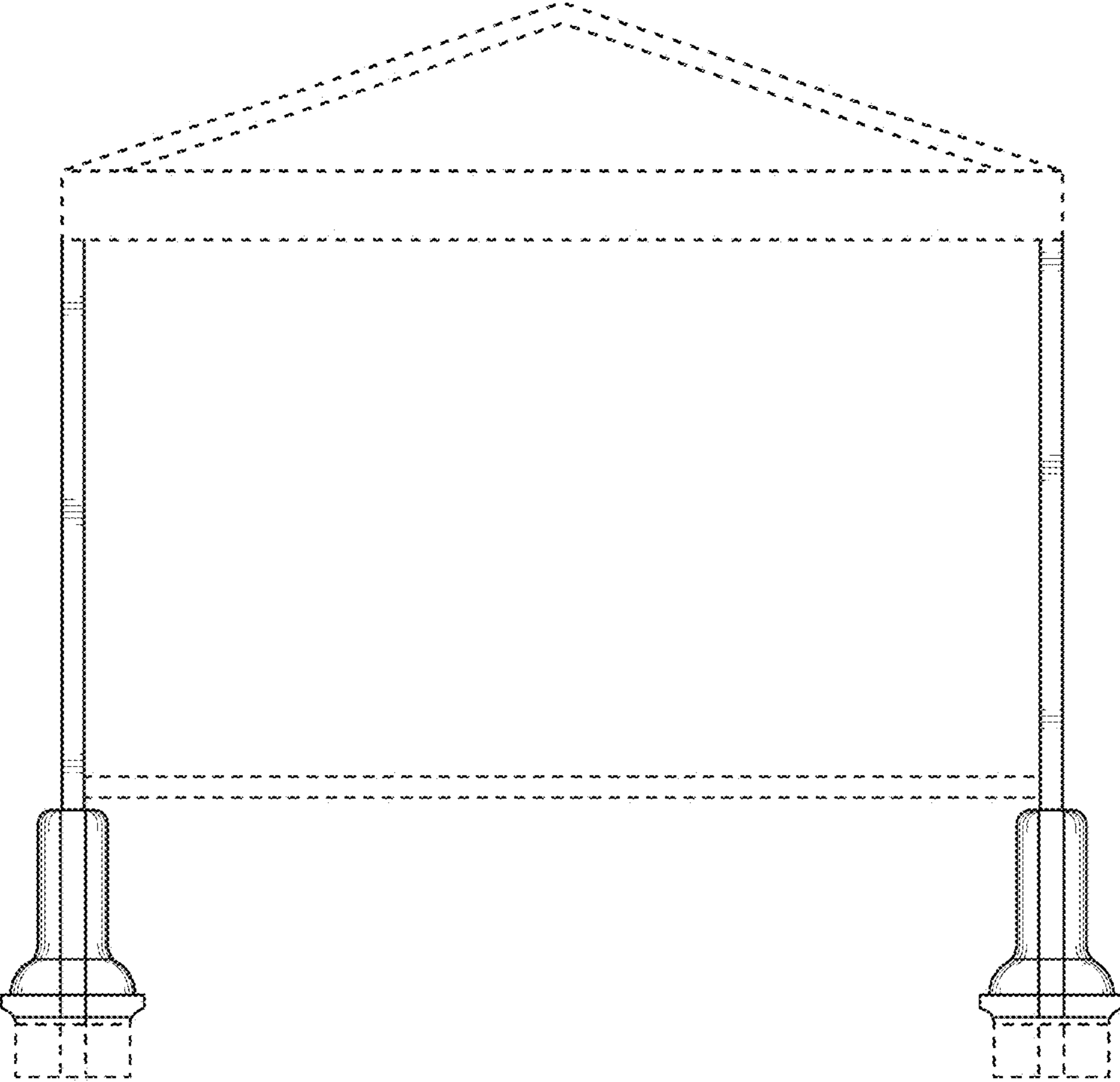


FIG. 7

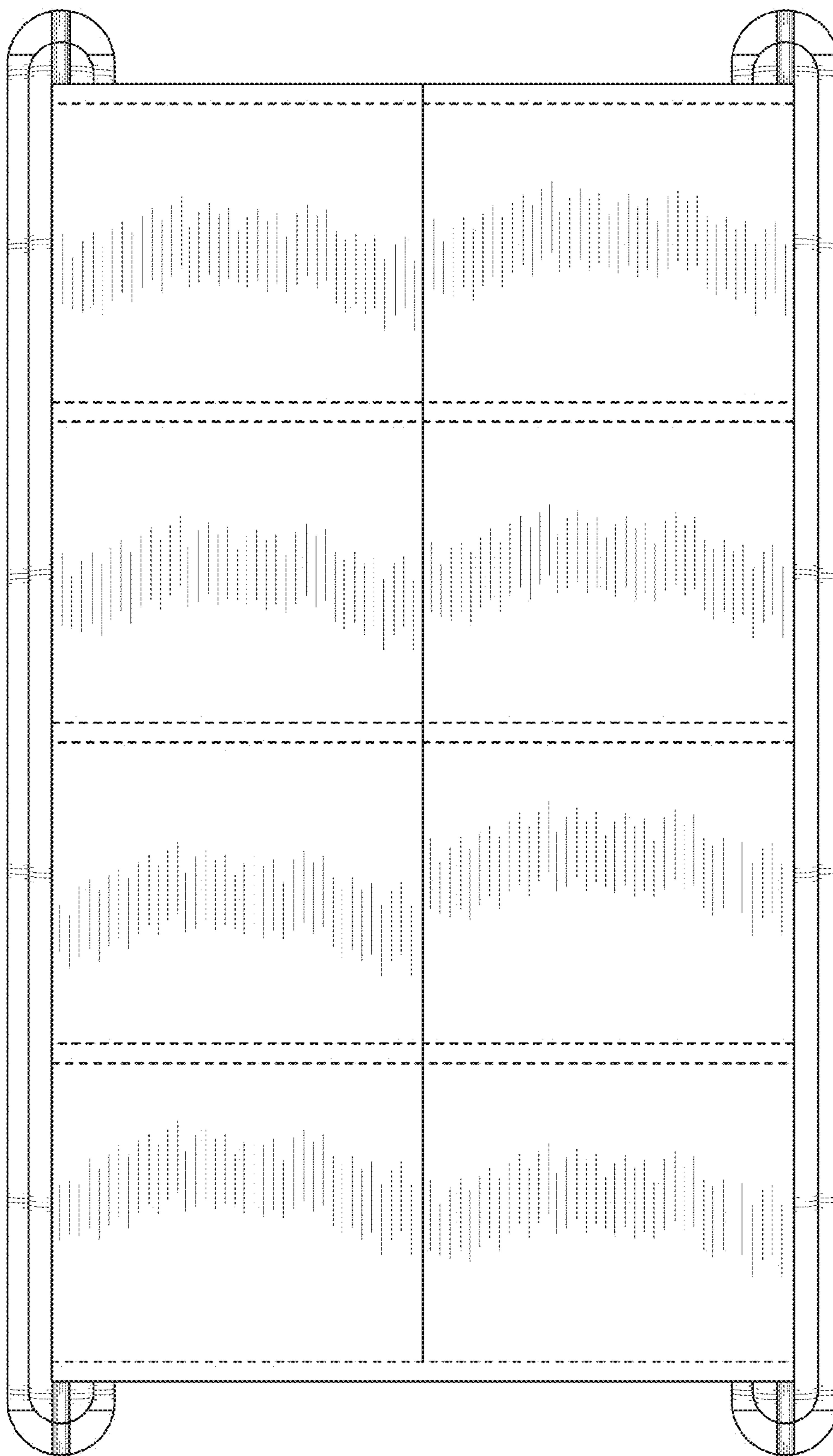


FIG. 8