



US00D699788S

(12) **United States Design Patent**
Nowicky et al.

(10) **Patent No.:** **US D699,788 S**

(45) **Date of Patent:** **** Feb. 18, 2014**

(54) **FILE CONTAINER**

(75) Inventors: **David A. Nowicky**, Fairport, NY (US);
Eric Green, Penfield, NY (US)

(73) Assignee: **John D. Brush & Co., Inc.**, Rochester,
NY (US)

(**) Term: **14 Years**

(21) Appl. No.: **29/426,745**

(22) Filed: **Jul. 10, 2012**

(51) **LOC (10) Cl.** **19-02**

(52) **U.S. Cl.**
USPC **D19/86**

(58) **Field of Classification Search**
USPC D3/273, 282, 302, 905; D7/605;
D9/424, 425, 432; D19/75, 86, 90, 92;
206/215, 425, 449, 555; 312/108, 184,
312/185

See application file for complete search history.

(56) **References Cited**

U.S. PATENT DOCUMENTS

3,614,185	A *	10/1971	Splan	312/184
D238,051	S *	12/1975	Fier, Jr.	D7/605
D246,982	S *	1/1978	Hamilton	D19/92
D249,393	S *	9/1978	Winther	D3/291
D301,979	S *	7/1989	Britz et al.	D9/418
D328,425	S *	8/1992	Brightbill	D3/282
D329,747	S *	9/1992	Embree	D3/294

D330,161	S *	10/1992	Schuh	D9/423
D338,238	S *	8/1993	Aaldenberg et al.	D19/75
D360,778	S *	8/1995	Apt et al.	D6/448
D363,669	S *	10/1995	Pennoyer, Jr.	D9/423
D364,426	S *	11/1995	Bucaccio	D19/75
D379,138	S *	5/1997	Carlson	D7/629
D381,512	S *	7/1997	Green	D3/294
6,352,157	B1 *	3/2002	Srinivasan	206/425
7,055,690	B1 *	6/2006	Valdez et al.	206/449
D588,810	S *	3/2009	Rowlett et al.	D3/291
D639,065	S *	6/2011	Duvigneau	D3/302

* cited by examiner

Primary Examiner — Elizabeth Albert

(74) *Attorney, Agent, or Firm* — Woods Oviatt Gilman LLP

(57) **CLAIM**

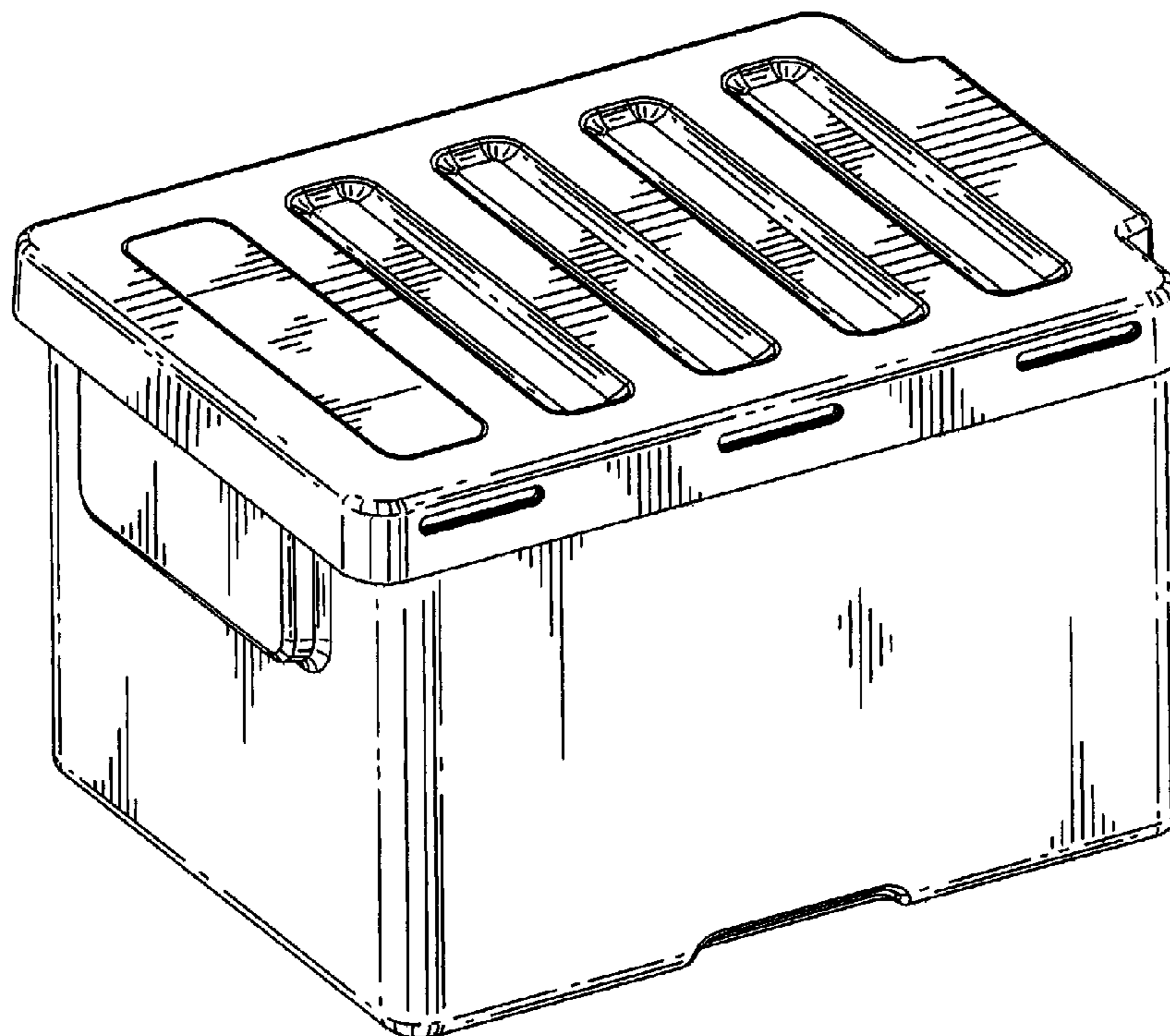
The ornamental design for a file container, as shown and described.

DESCRIPTION

FIG. 1 is a right front perspective view of a file container showing our design;
FIG. 2 is a back view thereof;
FIG. 3 is a top view thereof;
FIG. 4 is a front view thereof;
FIG. 5 is a left side view thereof;
FIG. 6 is a bottom view thereof; and,
FIG. 7 is a right side view thereof.

The broken lines in FIG. 6 showing features on the bottom are included for the purpose of showing portions that form no part of the claimed design.

1 Claim, 4 Drawing Sheets



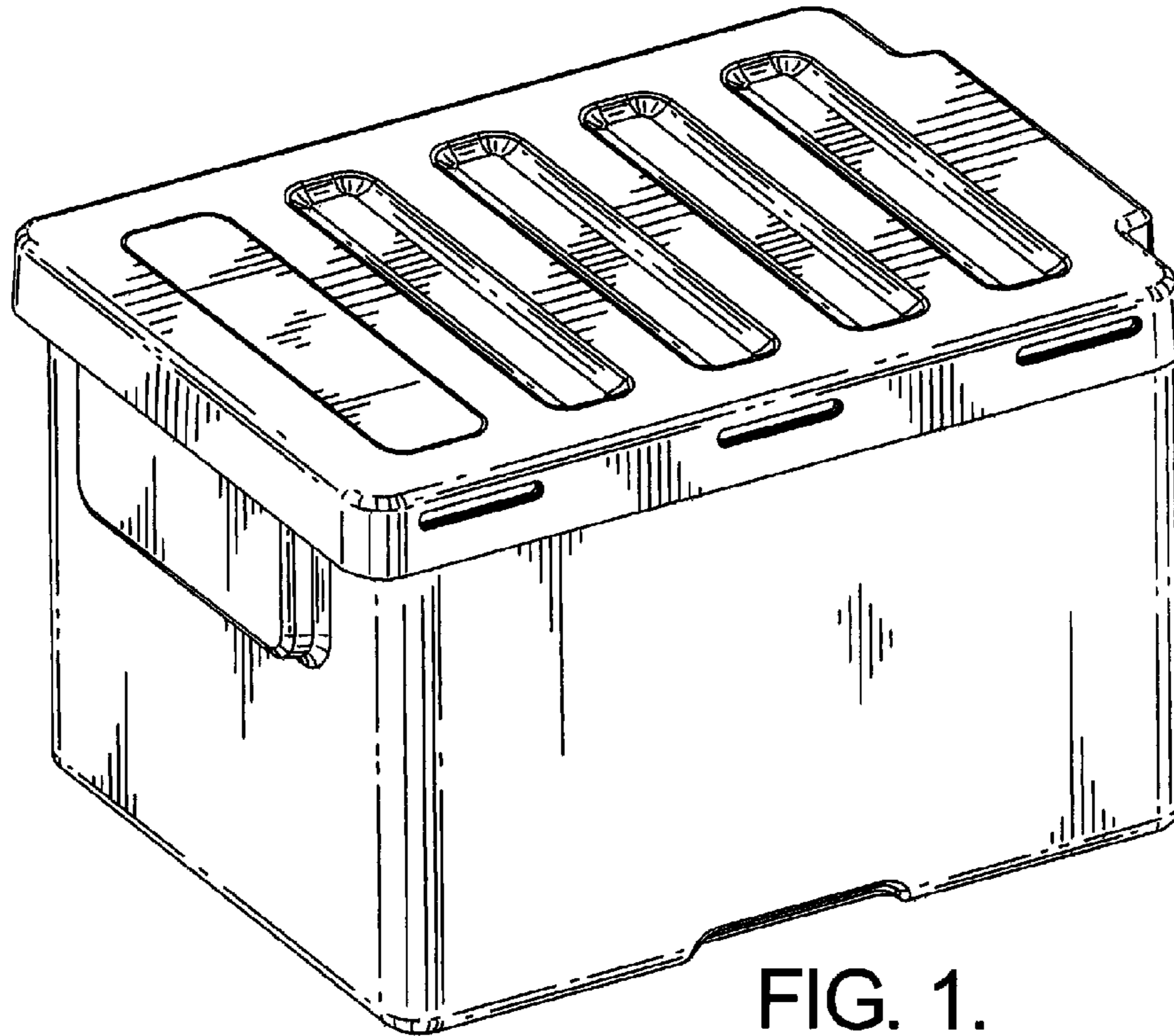


FIG. 1.

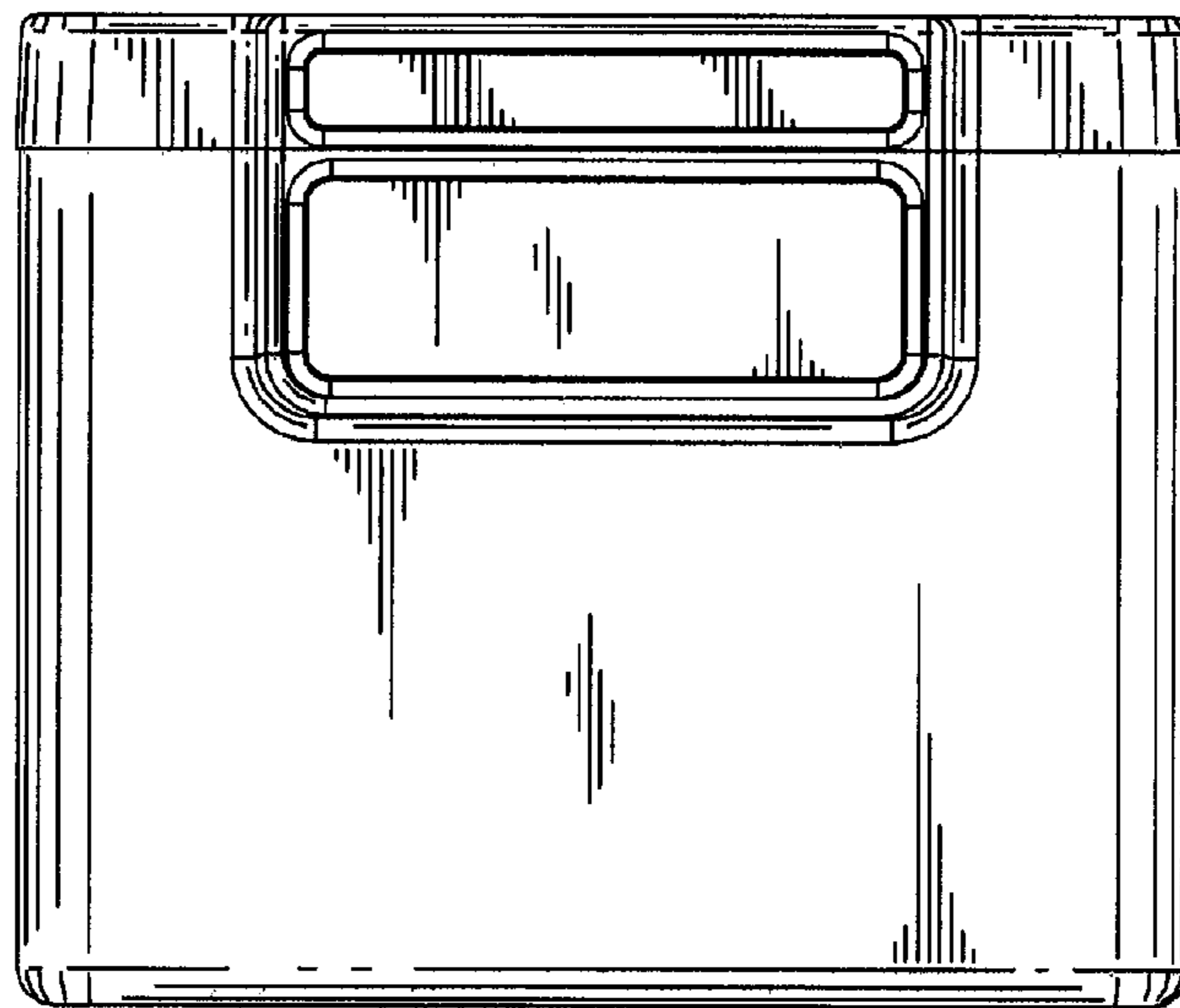


FIG. 2.

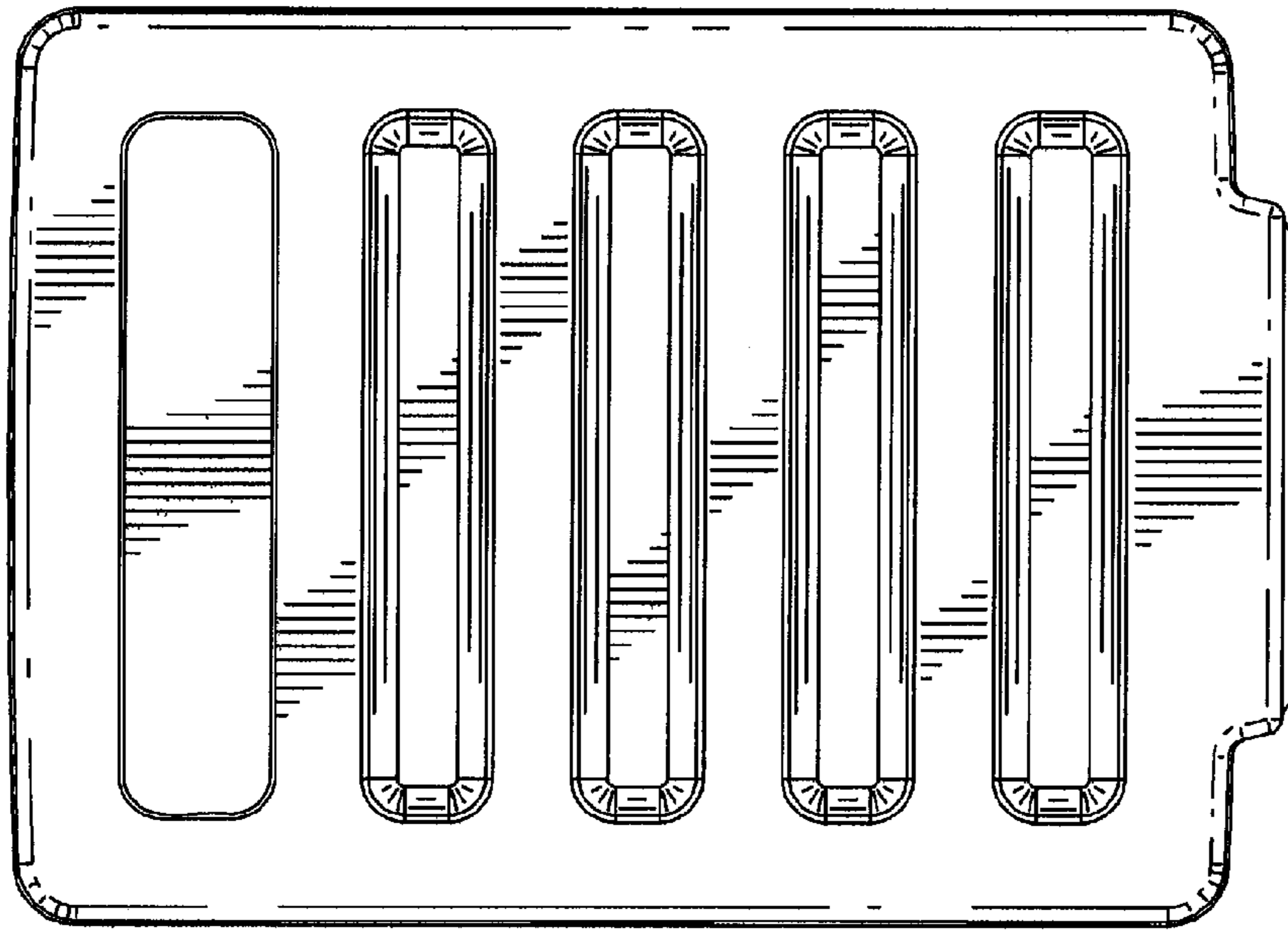


FIG. 3.

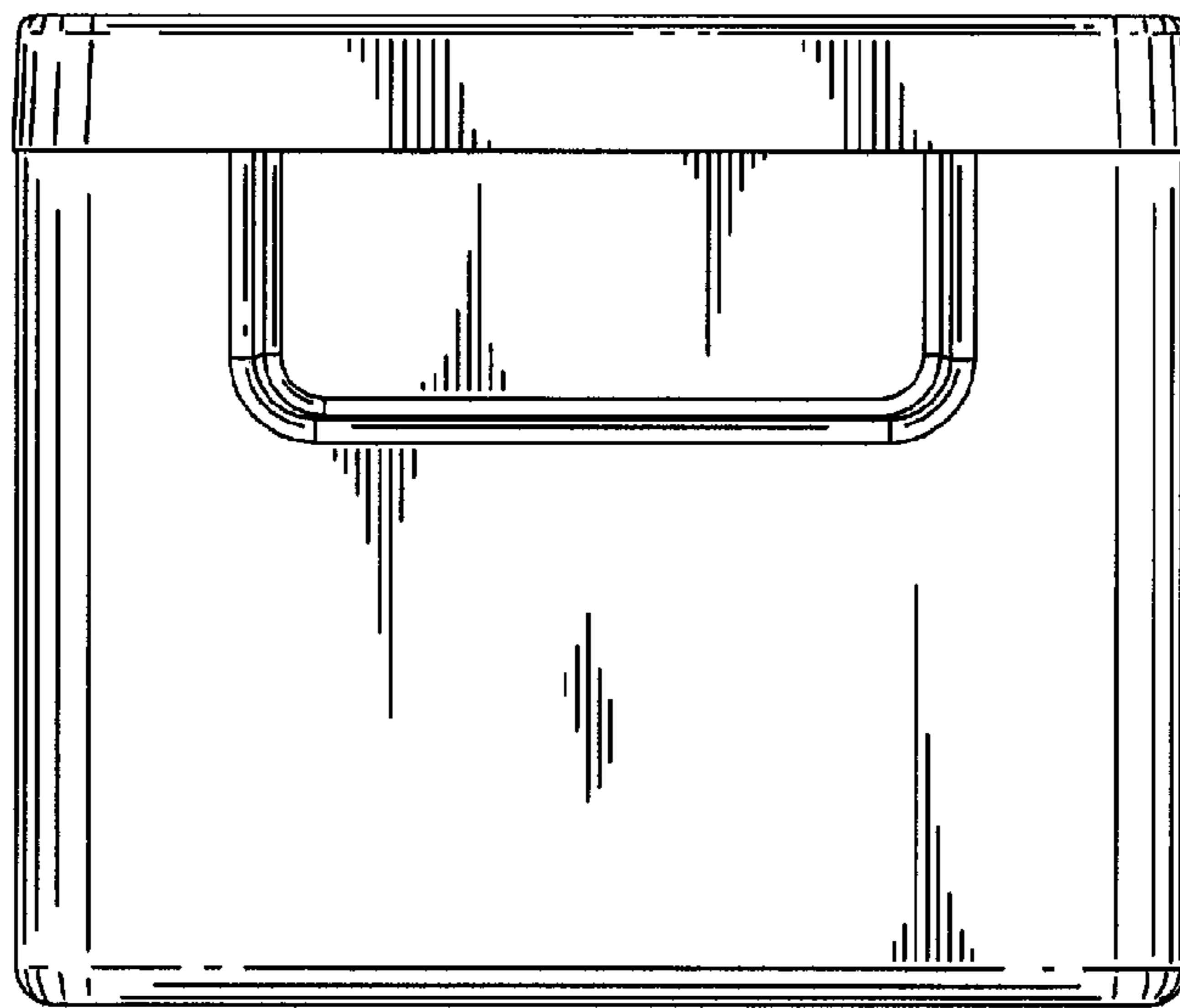


FIG. 4.

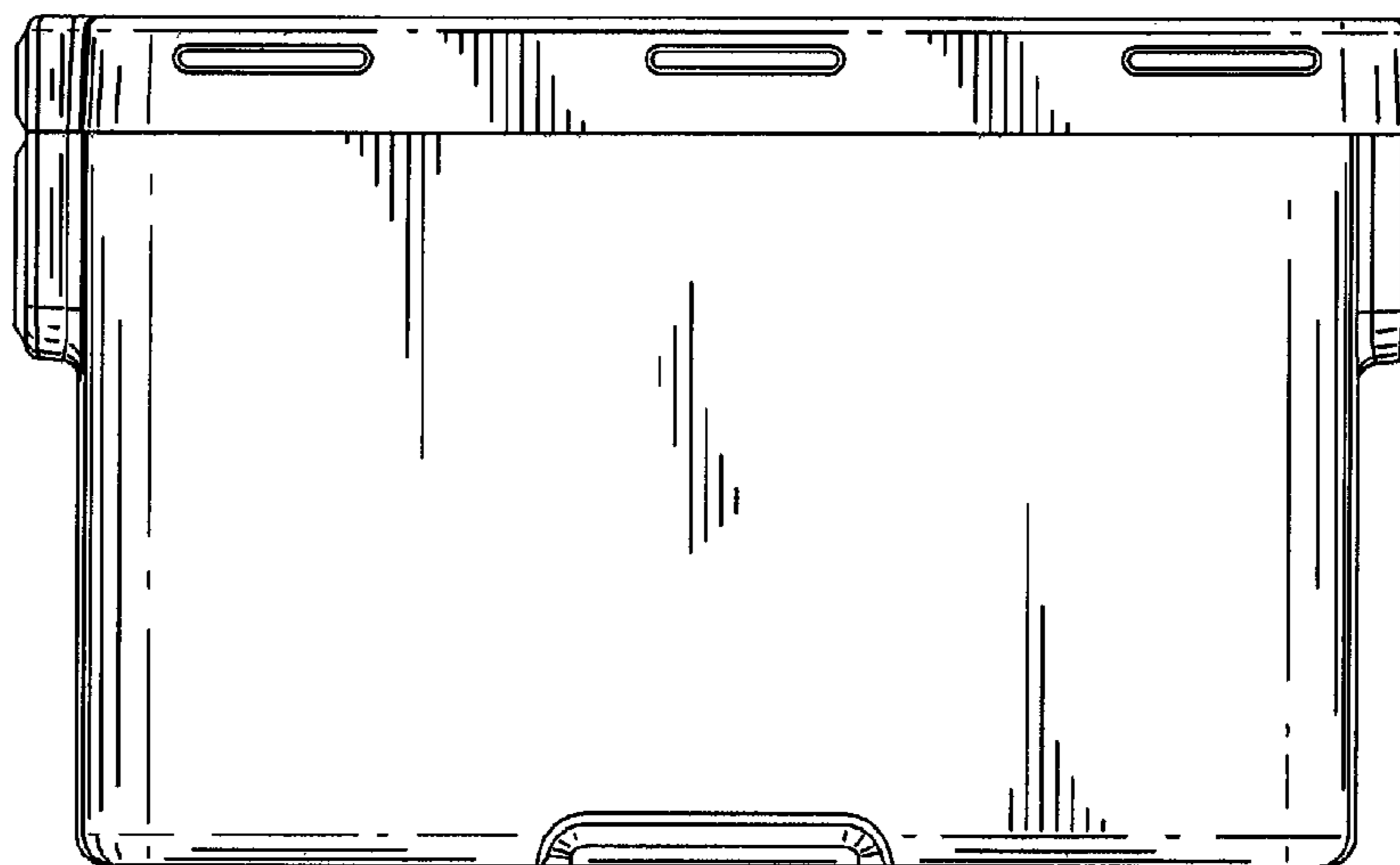


FIG. 5.

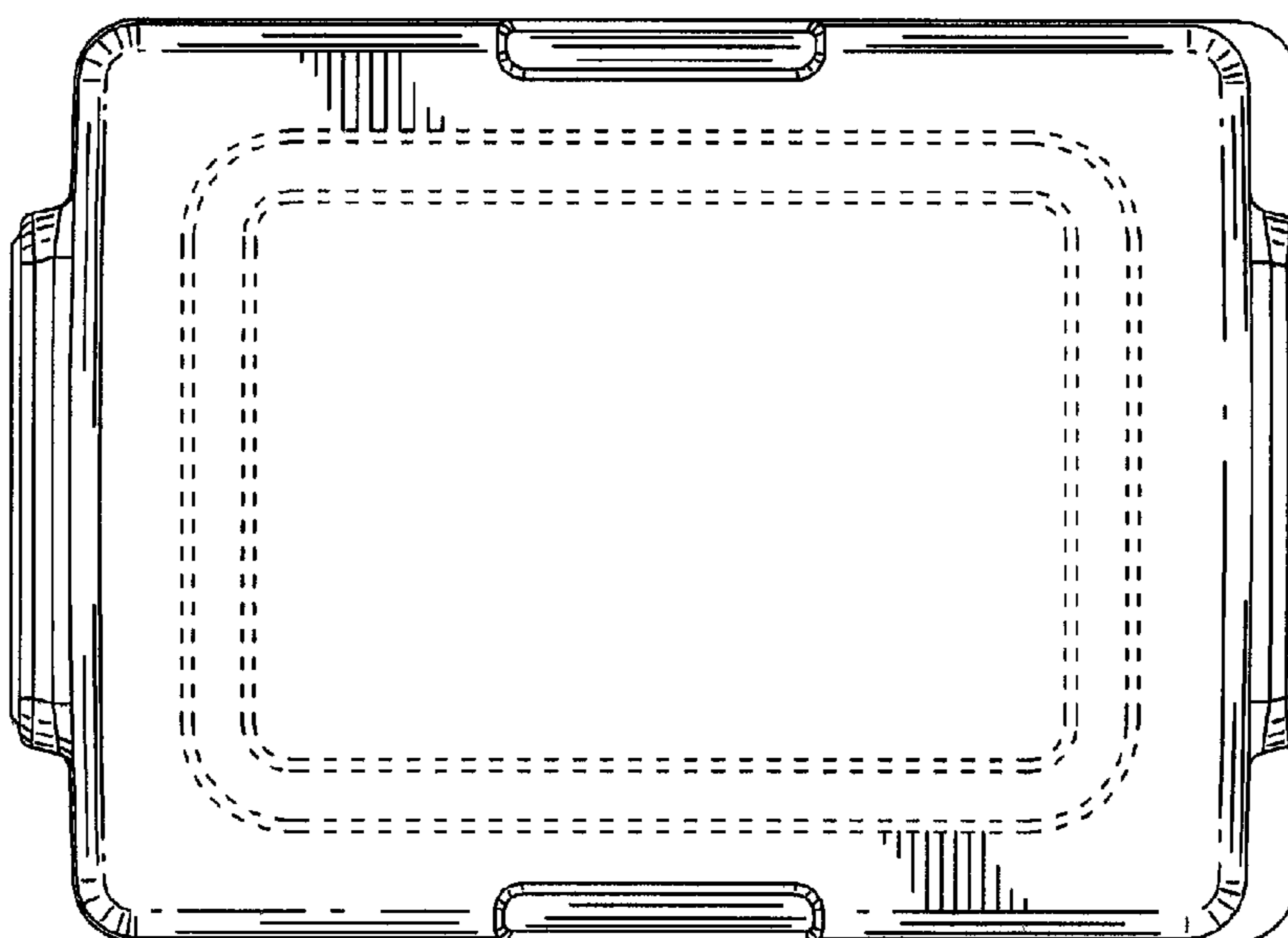


FIG. 6.

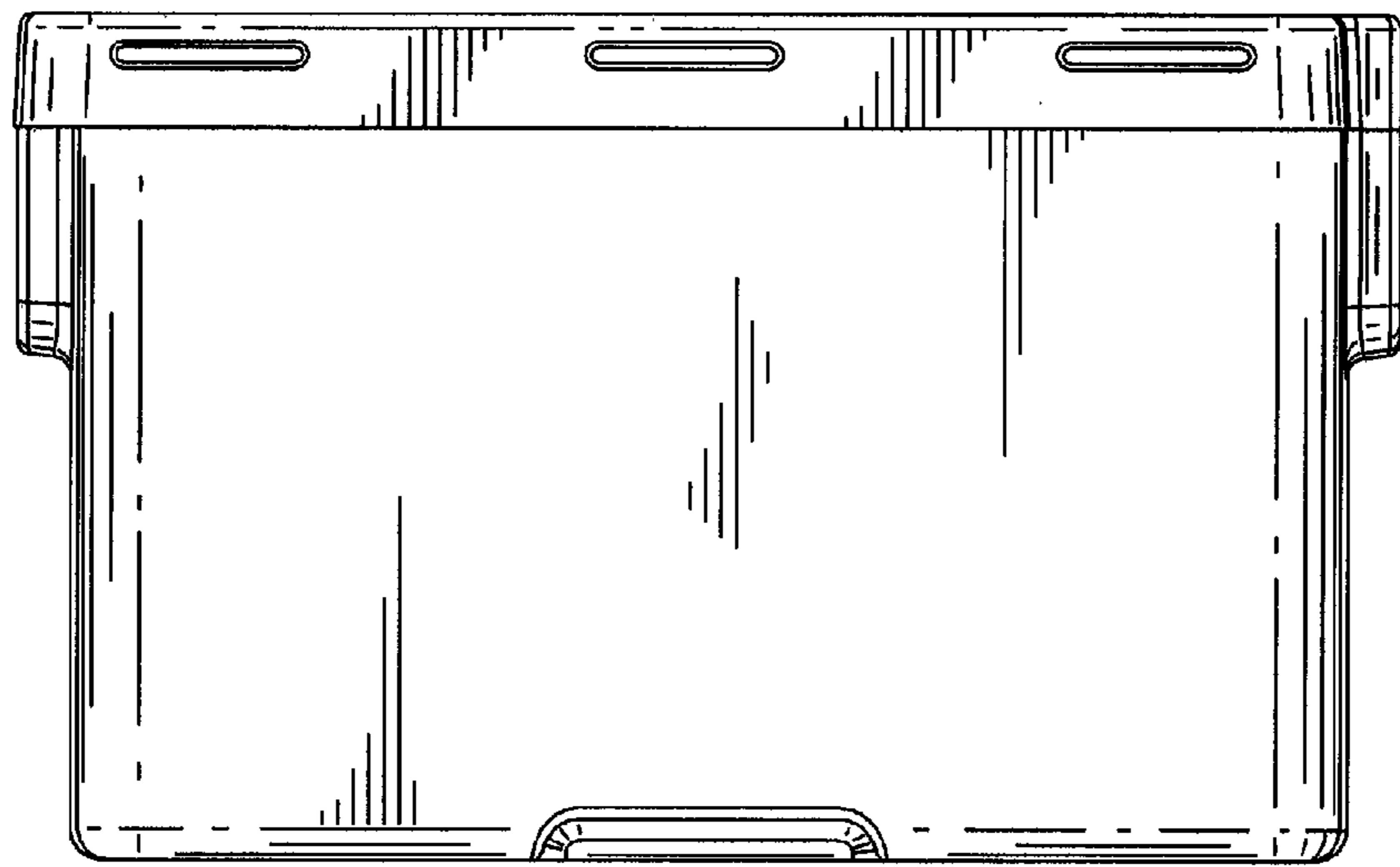


FIG. 7.