



US00D699778S

(12) **United States Design Patent**
Li et al.

(10) **Patent No.:** **US D699,778 S**

(45) **Date of Patent:** **** Feb. 18, 2014**

(54) **SOFTBOX**

(76) Inventors: **Shanshan Li**, Shenzhen (CN); **Bing Li**,
Shenzhen (CN)

(**) Term: **14 Years**

(21) Appl. No.: **29/409,468**

(22) Filed: **Dec. 23, 2011**

(30) **Foreign Application Priority Data**

Jun. 27, 2011 (CN) 2011 3 0197472

(51) **LOC (10) Cl.** **16-05**

(52) **U.S. Cl.**
USPC **D16/237**

(58) **Field of Classification Search**

USPC D16/200–204, 208, 214, 219, 235, 237,
D16/242–245, 250; D14/217, 511;
248/176.1, 177.1, 178.1, 179.1, 180.1,
248/183.1, 187.1, 683; 362/16, 17, 200,
362/322, 352, 450, 516, 847; 396/419–428;
D26/85–87, 113, 118, 122–124, 128

See application file for complete search history.

(56) **References Cited**

U.S. PATENT DOCUMENTS

D91,915 S	4/1934	Wise	
D204,302 S	4/1966	Pauli	
D209,081 S	10/1967	Netland	
D251,630 S *	4/1979	Larson	D26/128
4,616,293 A	10/1986	Baliozian	
4,757,425 A	7/1988	Waltz	
D312,471 S	11/1990	Couch	
5,023,756 A	6/1991	Regester	
D329,104 S	9/1992	Dieperink	
5,154,503 A	10/1992	Sternsher	
D332,318 S *	1/1993	Reding	D26/24
5,311,409 A	5/1994	King	
D373,132 S	8/1996	Baillie-Hamilton et al.	
D399,862 S	10/1998	Baliozian	
5,839,006 A	11/1998	Beckerman	
6,411,778 B1	6/2002	Peterson	
D463,061 S *	9/2002	Ludwig	D26/118
6,733,145 B2	5/2004	Shirilla	

D501,947 S	2/2005	Haugaard et al.	
D502,283 S *	2/2005	Haugaard et al.	D26/118
D522,680 S	6/2006	Stephant	
D527,134 S	8/2006	Bagen	
D551,385 S *	9/2007	Huang	D26/118
D565,229 S	3/2008	Haugaard et al.	
D570,516 S	6/2008	Orellana	
D577,146 S *	9/2008	Haugaard et al.	D26/118
D588,292 S	3/2009	Sabernig	
D619,297 S *	7/2010	Huang	D26/118
7,773,869 B2	8/2010	Zou	
7,810,941 B2	10/2010	Capozzi	
D632,831 S *	2/2011	Baker et al.	D26/118
D633,647 S *	3/2011	Baker et al.	D26/118
D637,754 S *	5/2011	Baker et al.	D26/118
D641,100 S	7/2011	Li	
D654,212 S *	2/2012	Blum et al.	D26/118
D671,587 S *	11/2012	Li	D16/237
D681,864 S *	5/2013	Guercio et al.	D26/85
2008/0181598 A1	7/2008	Kobre	
2008/0204883 A1	8/2008	Fong	

FOREIGN PATENT DOCUMENTS

CN	301404282 S	12/2010
CN	201696908 U	1/2011
CN	301493545 S	3/2011
CN	301600070 S	6/2011
CN	301600071 S	6/2011
CN	301695754 S	10/2011
WO	WO 2011/124004	10/2010

* cited by examiner

Primary Examiner — Susan Bennett Hattan

Assistant Examiner — Vy Koenig

(57) **CLAIM**

The ornamental design for a softbox, as shown and described.

DESCRIPTION

FIG. 1 is a view of the right side of the first embodiment of the softbox.

FIG. 2 is a view of the left side of the first embodiment of the softbox.

FIG. 3 is a view of the front side of the first embodiment of the softbox.

FIG. 4 is a view of the back side of the first embodiment of the softbox.

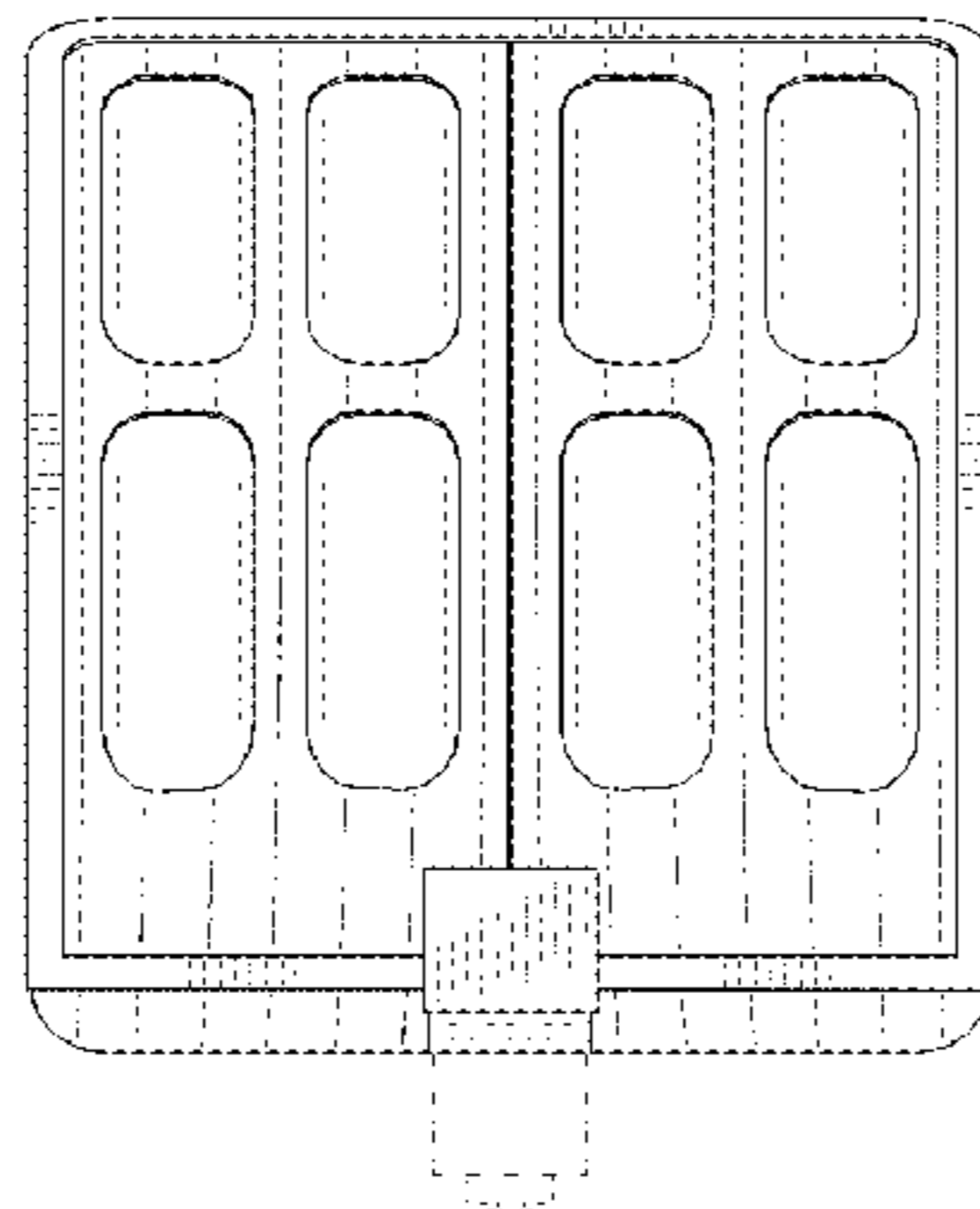


FIG. 5 is a view of the top side of the first embodiment of the softbox.

FIG. 6 is a view of the bottom side of the first embodiment of the softbox.

FIG. 7 is a perspective view at an angle of the top of the left side of the first embodiment of the softbox.

FIG. 8 is a perspective view at an angle of the front of the bottom side of the first embodiment of the softbox.

FIG. 9 is a view of the right side of the second embodiment of the softbox.

FIG. 10 is a view of the left side of the second embodiment of the softbox.

FIG. 11 is a view of the front side of the second embodiment of the softbox.

FIG. 12 is a view of the back side of the second embodiment of the softbox.

FIG. 13 is a view of the top side of the second embodiment of the softbox.

FIG. 14 is a view of the bottom side of the second embodiment of the softbox.

FIG. 15 is a perspective view at an angle of the top of the left side of the second embodiment of the softbox.

FIG. 16 is a perspective view at an angle of the front of the bottom side of the second embodiment of the softbox.

FIG. 17 is a view of the right side of the third embodiment of the softbox.

FIG. 18 is a view of the left side of the third embodiment of the softbox.

FIG. 19 is a view of the front side of the third embodiment of the softbox.

FIG. 20 is a view of the back side of the third embodiment of the softbox.

FIG. 21 is a view of the top side of the third embodiment of the softbox.

FIG. 22 is a view of the bottom side of the third embodiment of the softbox.

FIG. 23 is a perspective view at an angle of the top of the left side of the third embodiment of the softbox.

FIG. 24 is a perspective view at an angle of the front of the bottom side of the third embodiment of the softbox.

FIG. 25 is a view of the right side of the fourth embodiment of the softbox.

FIG. 26 is a view of the left side of the fourth embodiment of the softbox.

FIG. 27 is a view of the front side of the fourth embodiment of the softbox.

FIG. 28 is a view of the back side of the fourth embodiment of the softbox.

FIG. 29 is a view of the top side of the fourth embodiment of the softbox.

FIG. 30 is a view of the bottom side of the fourth embodiment of the softbox.

FIG. 31 is a perspective view at an angle of the top of the left side of the fourth embodiment of the softbox.

FIG. 32 is a perspective view at an angle of the front of the bottom side of the fourth embodiment of the softbox.

FIG. 33 is a view of the right side of the fifth embodiment of the softbox.

FIG. 34 is a view of the left side of the fifth embodiment of the softbox.

FIG. 35 is a view of the front side of the fifth embodiment of the softbox.

FIG. 36 is a view of the back side of the fifth embodiment of the softbox.

FIG. 37 is a view of the top side of the fifth embodiment of the softbox.

FIG. 38 is a view of the bottom side of the fifth embodiment of the softbox.

FIG. 39 is a perspective view at an angle of the top of the left side of the fifth embodiment of the softbox.

FIG. 40 is a perspective view at an angle of the front of the bottom side of the fifth embodiment of the softbox.

FIG. 41 is a view of the right side of the sixth embodiment of the softbox.

FIG. 42 is a view of the left side of the sixth embodiment of the softbox.

FIG. 43 is a view of the front side of the sixth embodiment of the softbox.

FIG. 44 is a view of the back side of the sixth embodiment of the softbox.

FIG. 45 is a view of the top side of the sixth embodiment of the softbox.

FIG. 46 is a view of the bottom side of the sixth embodiment of the softbox.

FIG. 47 is a perspective view at an angle of the top of the left side of the sixth embodiment of the softbox; and,

FIG. 48 is a perspective view at an angle of the front of the bottom side of the sixth embodiment of the softbox.

The portions of the softbox drawn in phantom (using dashed lines) are not part of the design being claimed, and only indicate the environment of the claimed design of the softbox.

A softbox is a reflector that attaches to photography lighting via a connector to change soft lighting by changing the lighting diffuse effects of photography lighting (include the strobe flash or the LED light or the fluorescent lamp); it can also be used to change the lighting diffuse effects of camcorder lighting, illuminating lighting and stage lighting.

1 Claim, 12 Drawing Sheets

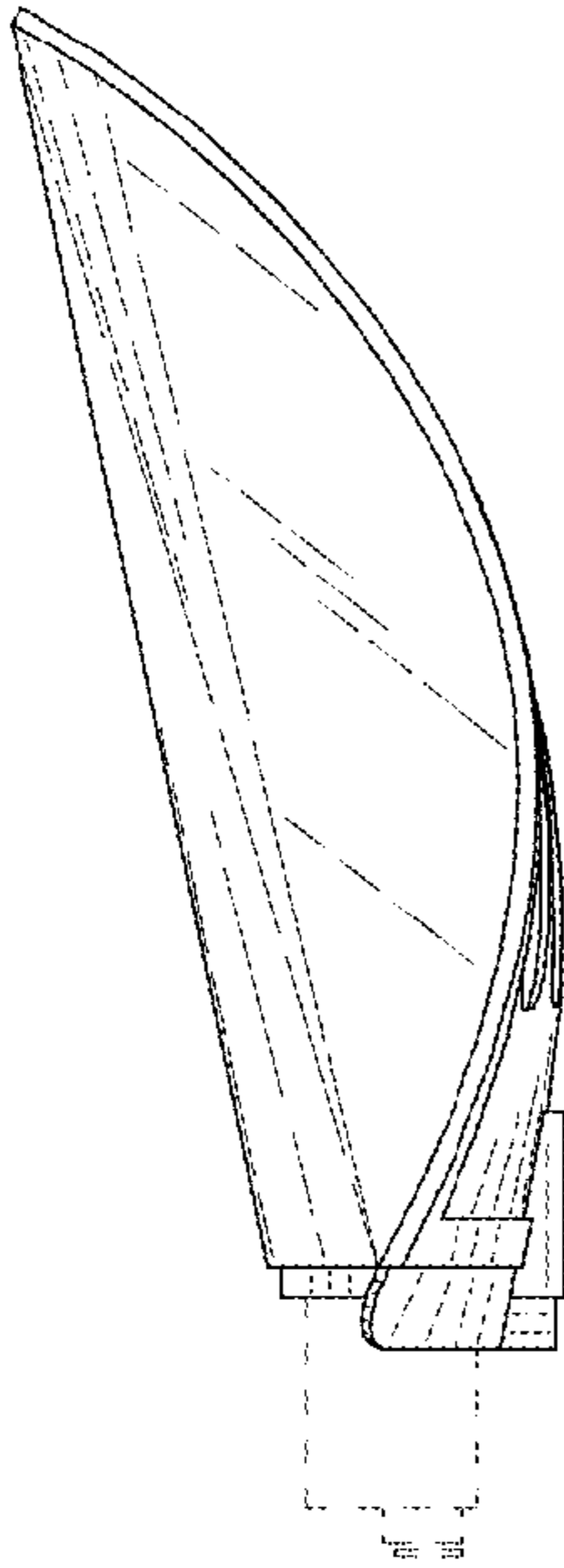


FIG. 1

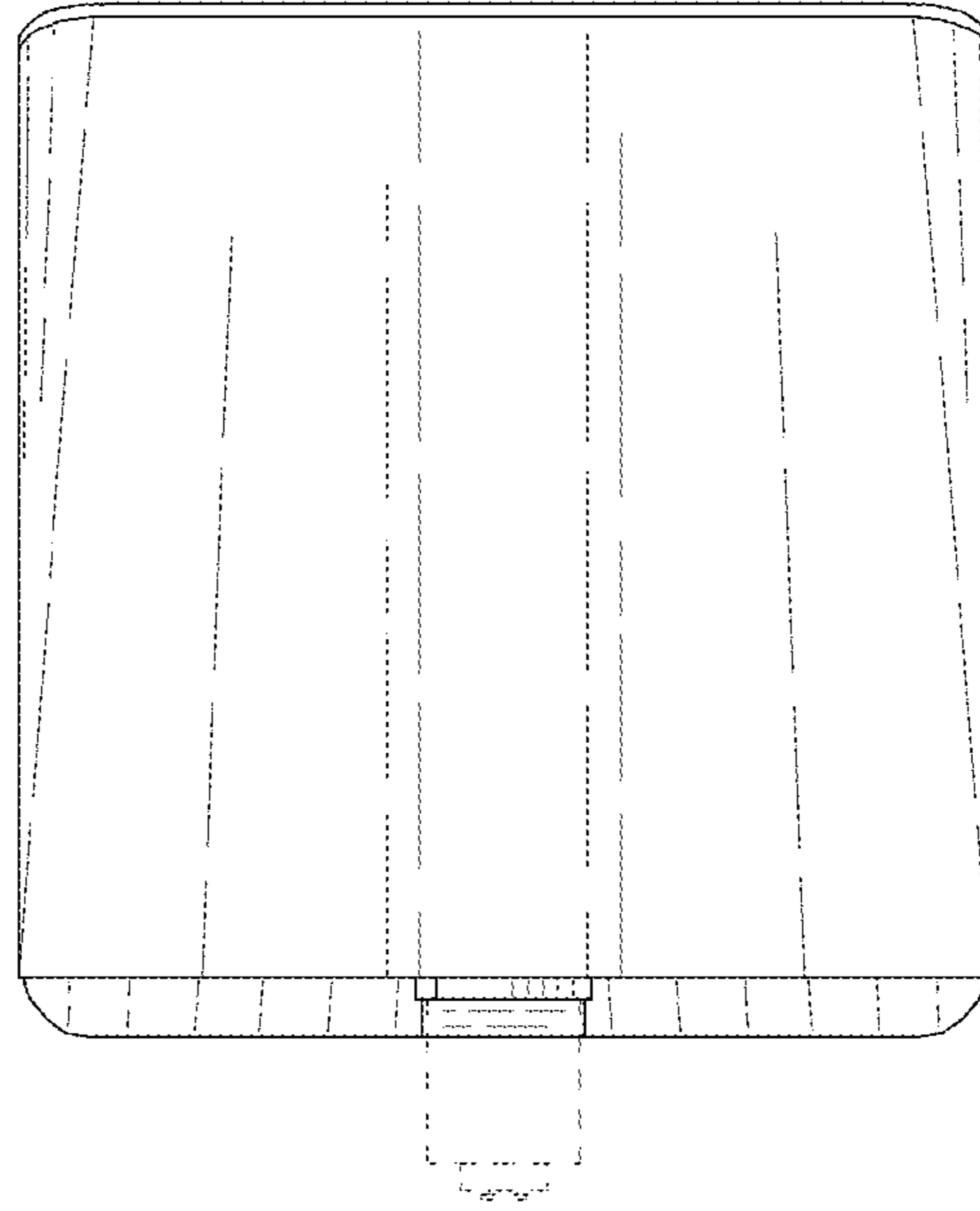


FIG. 3

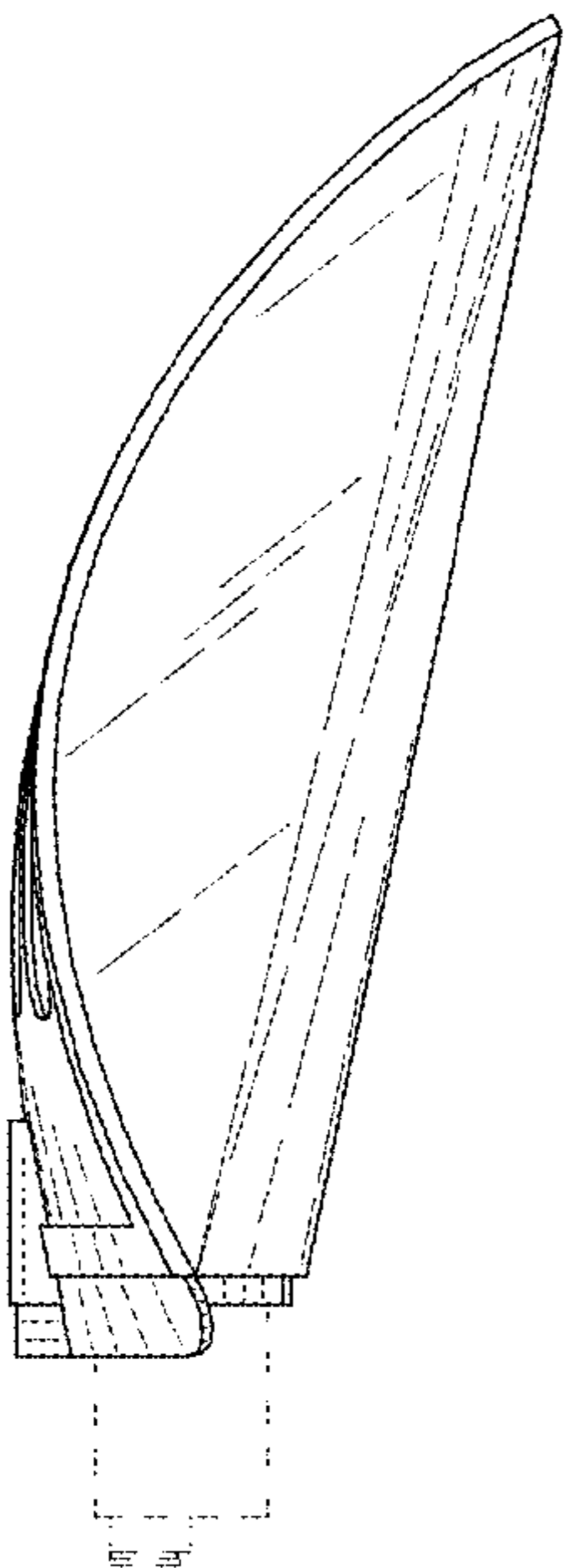


FIG. 2

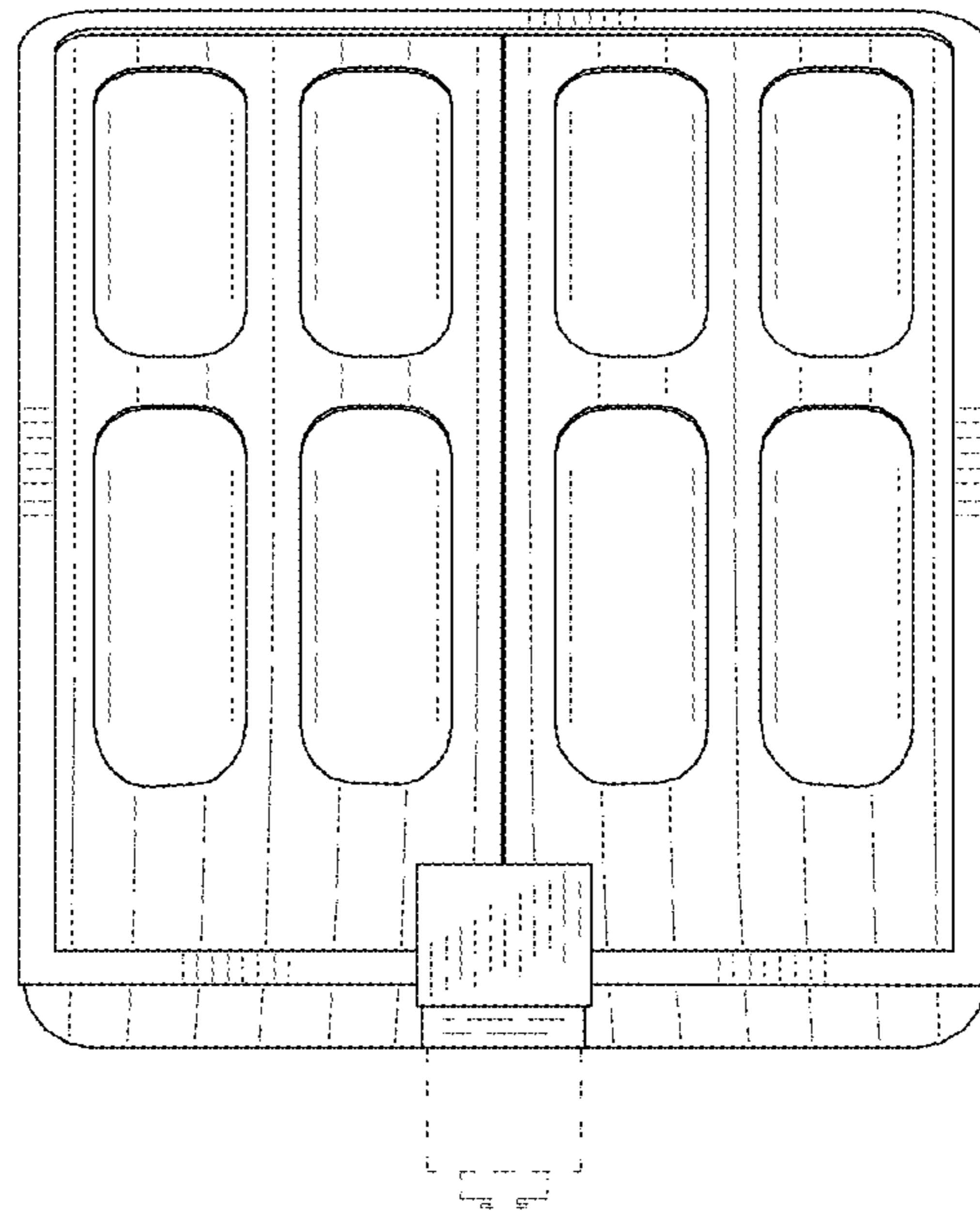


FIG. 4

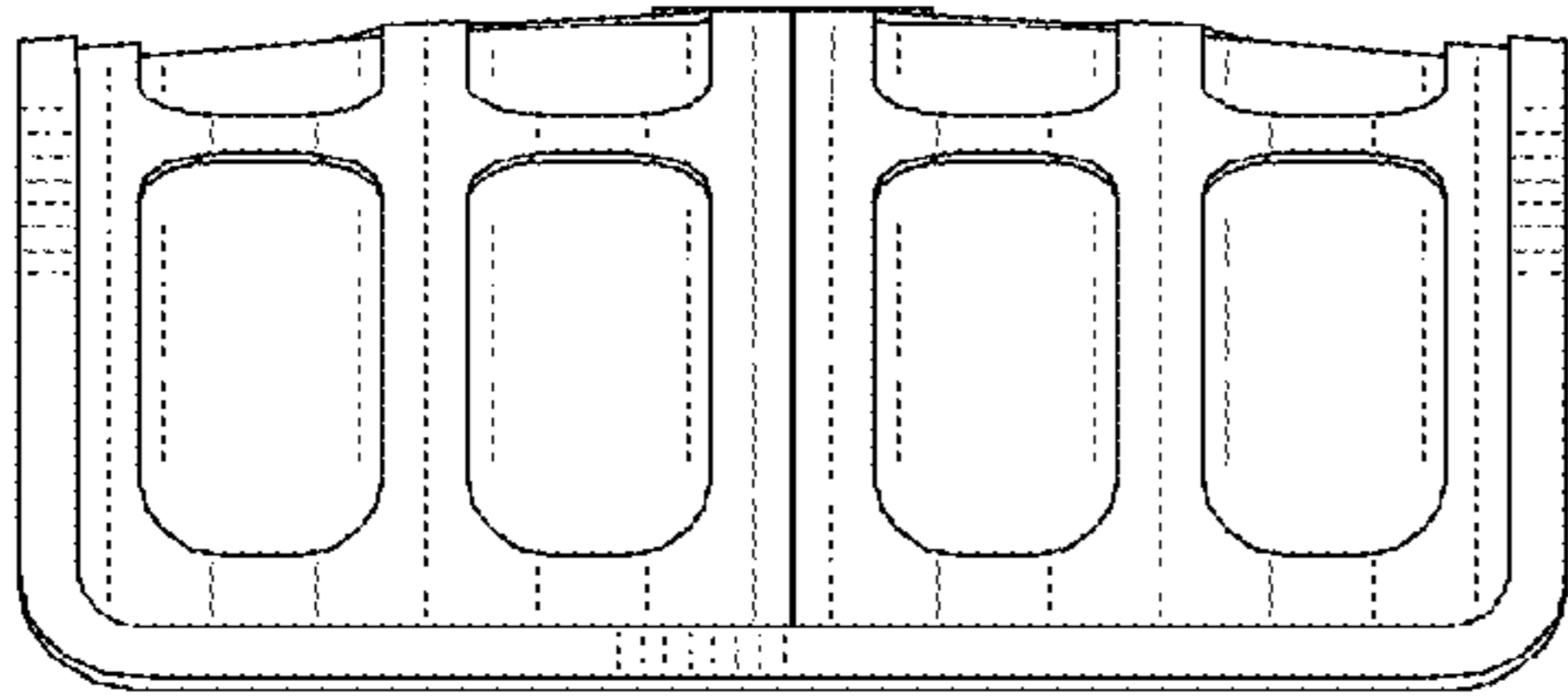


FIG. 5

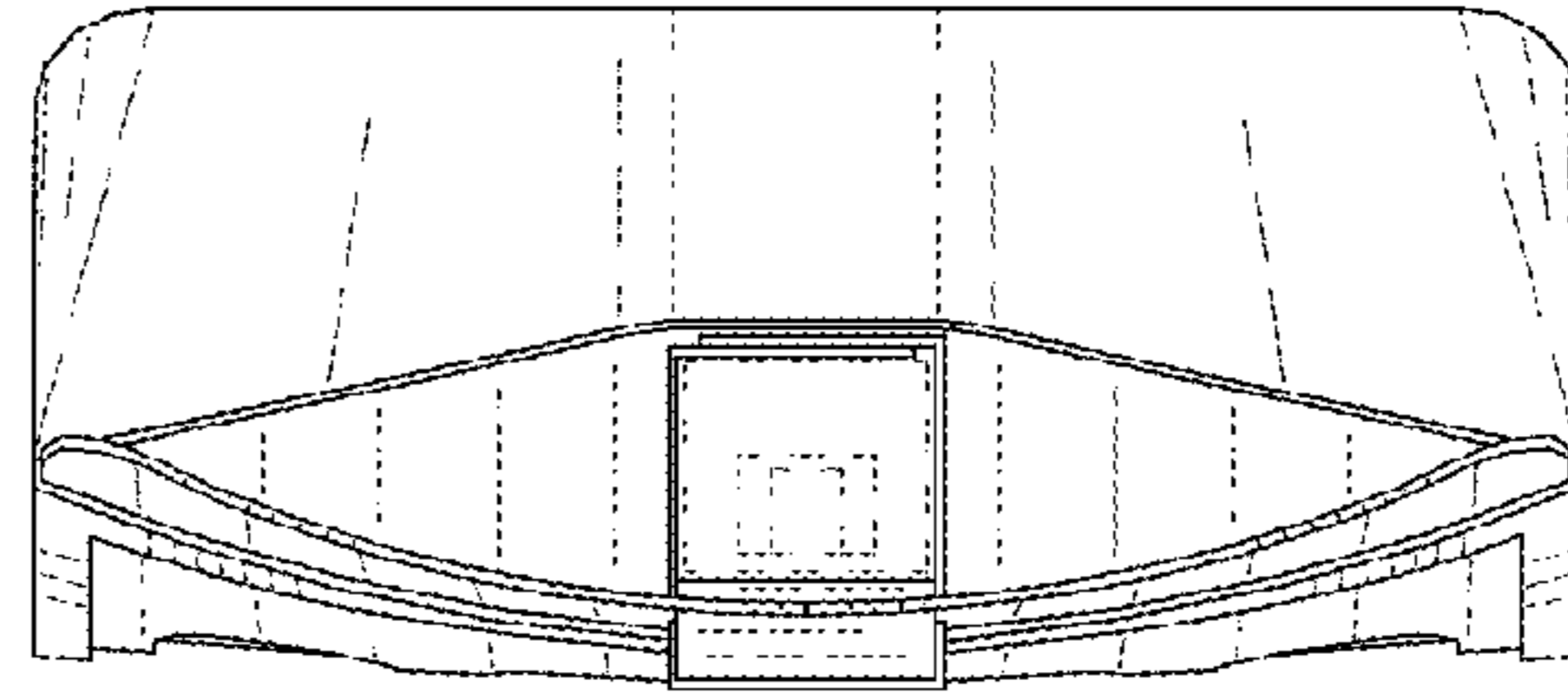


FIG. 6

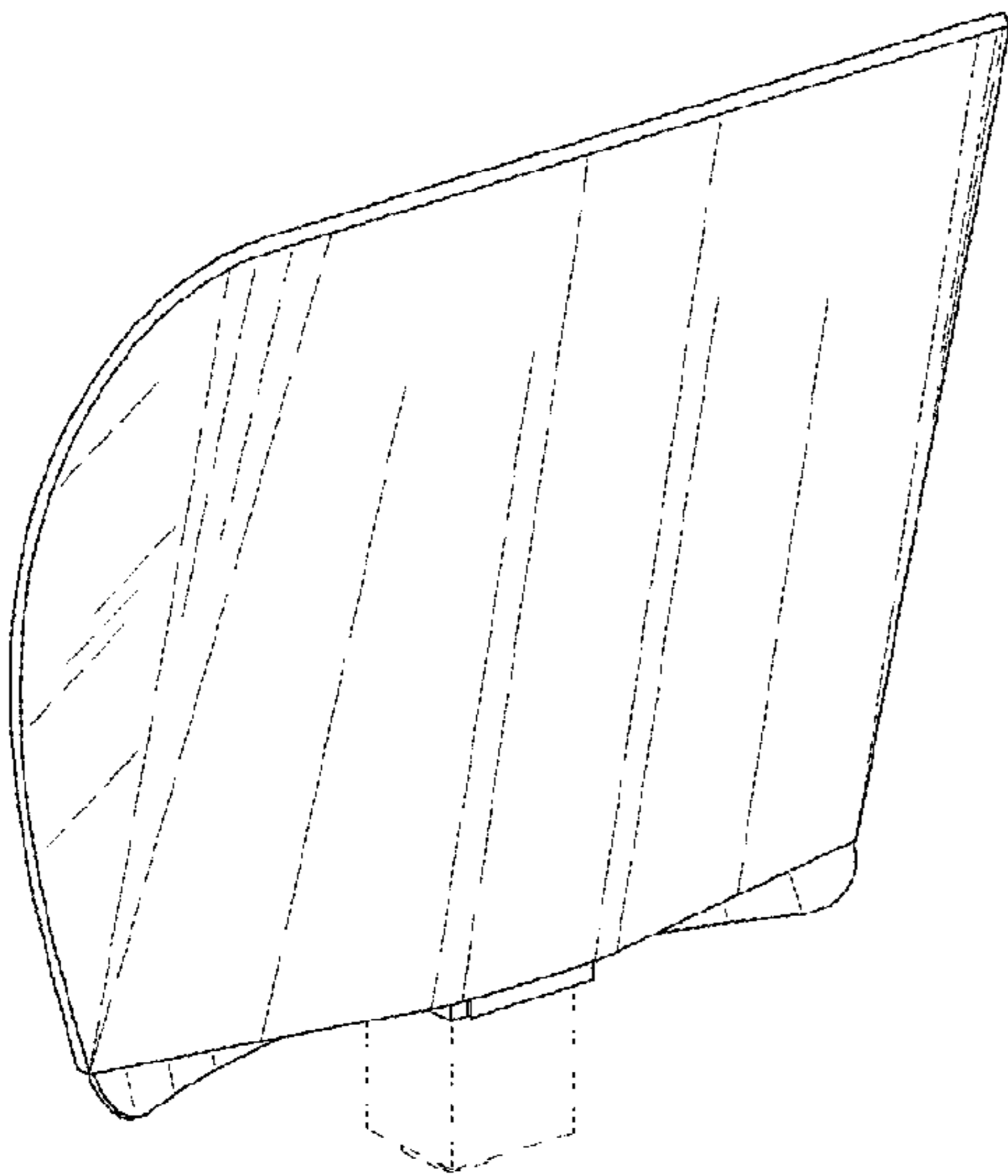


FIG. 7

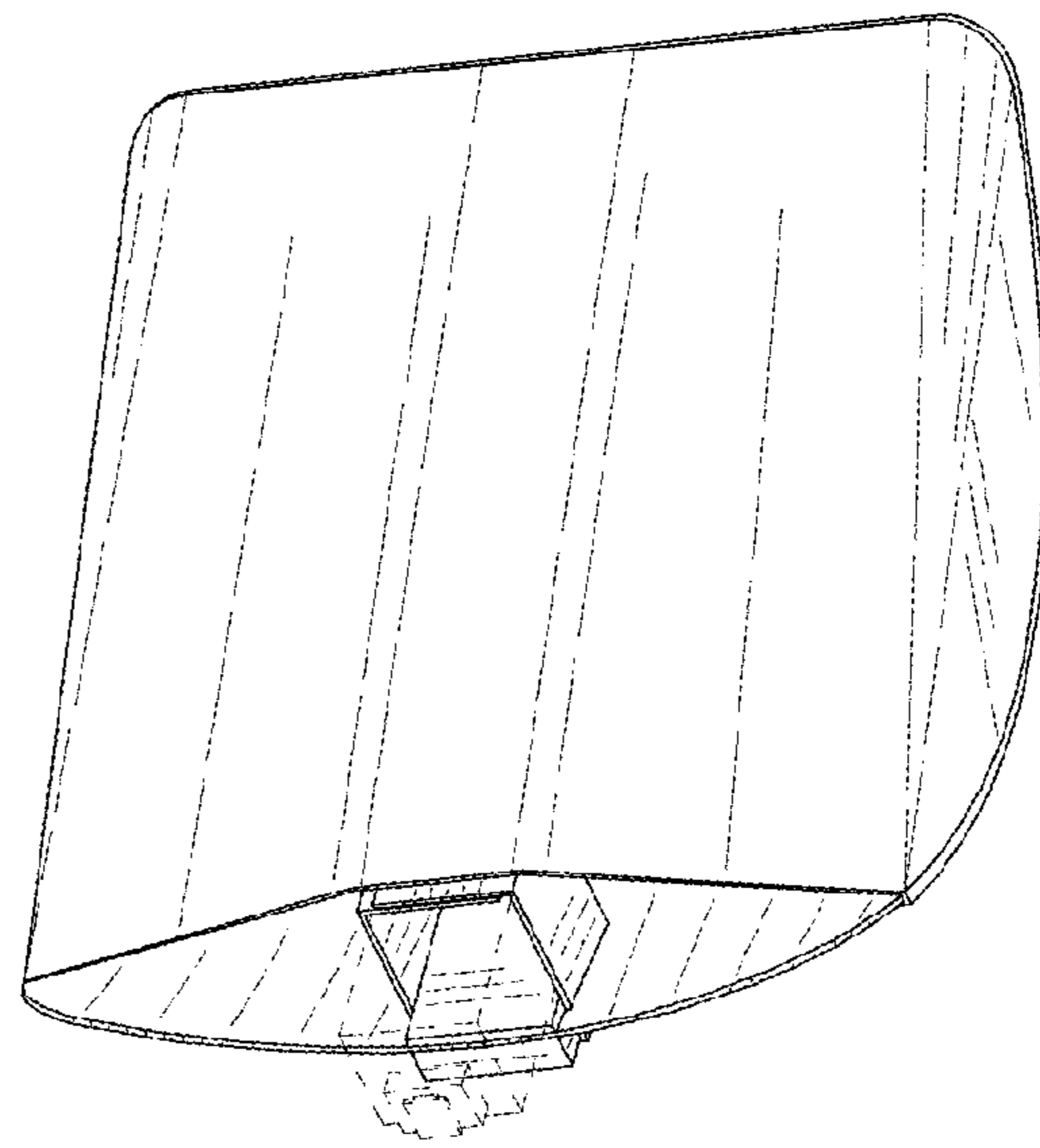


FIG. 8

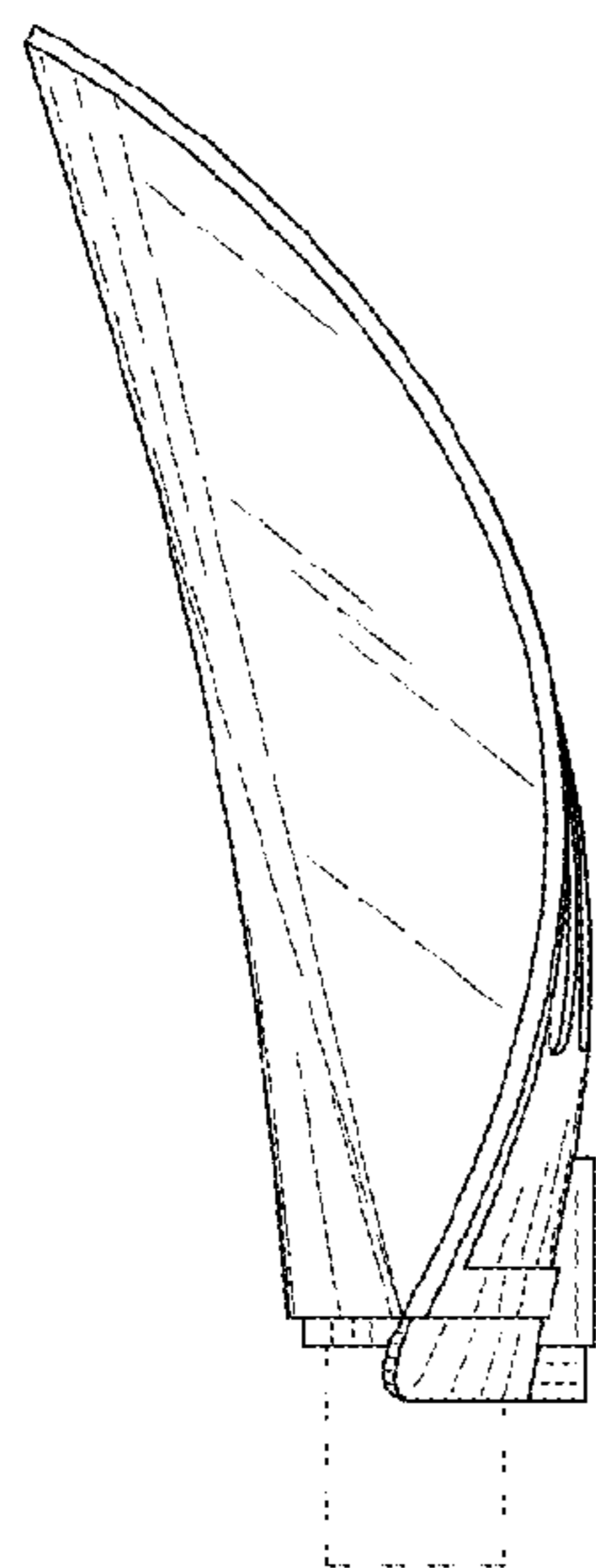


FIG. 9

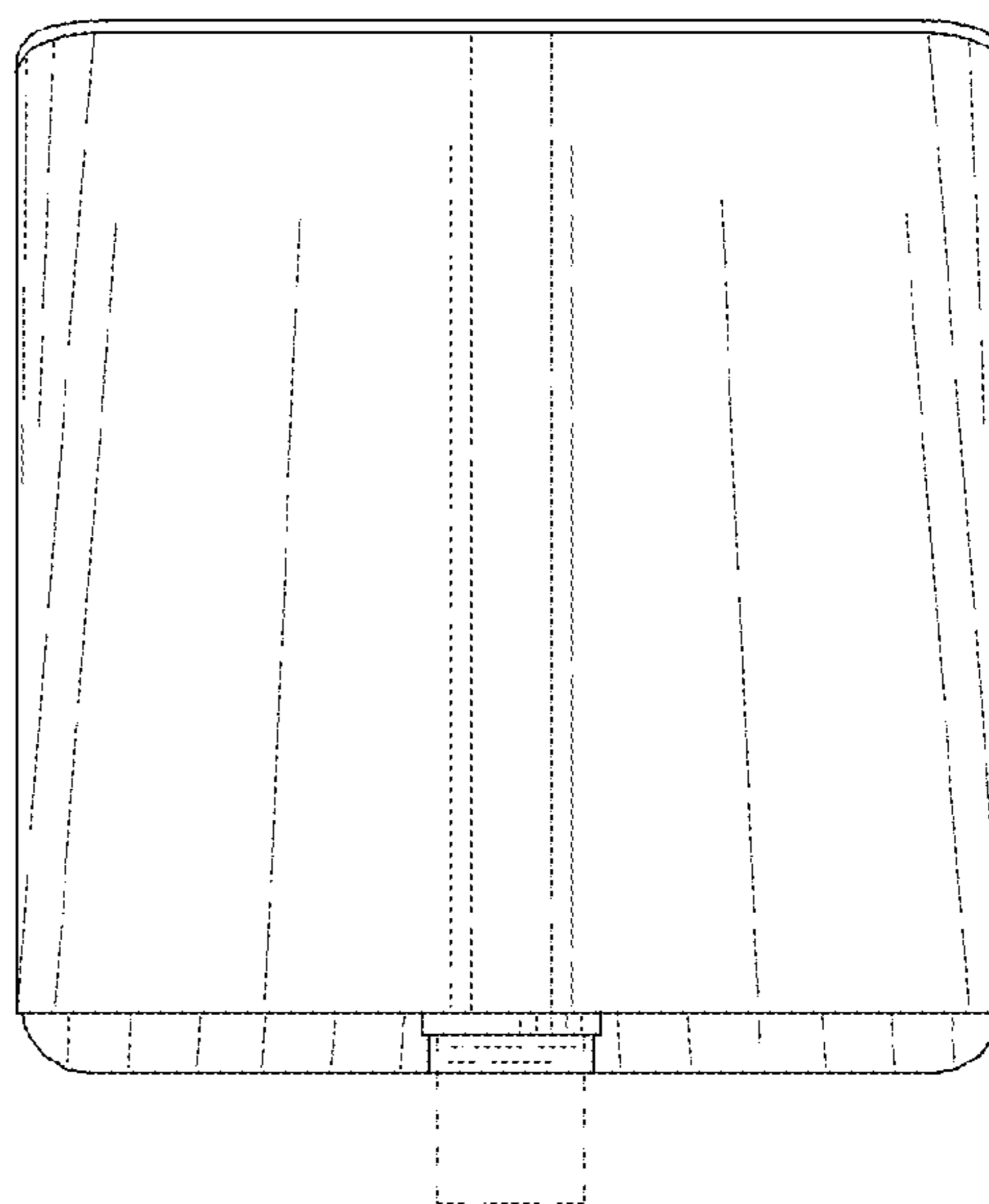


FIG. 11

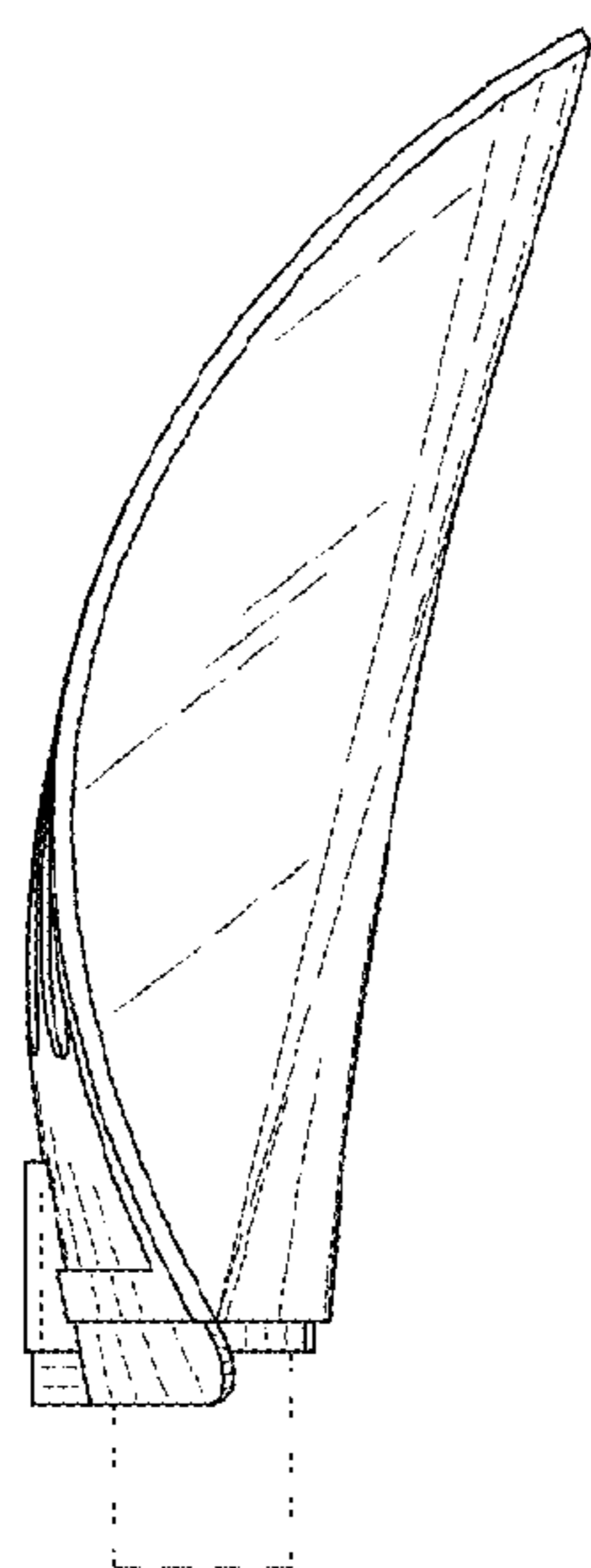


FIG. 10

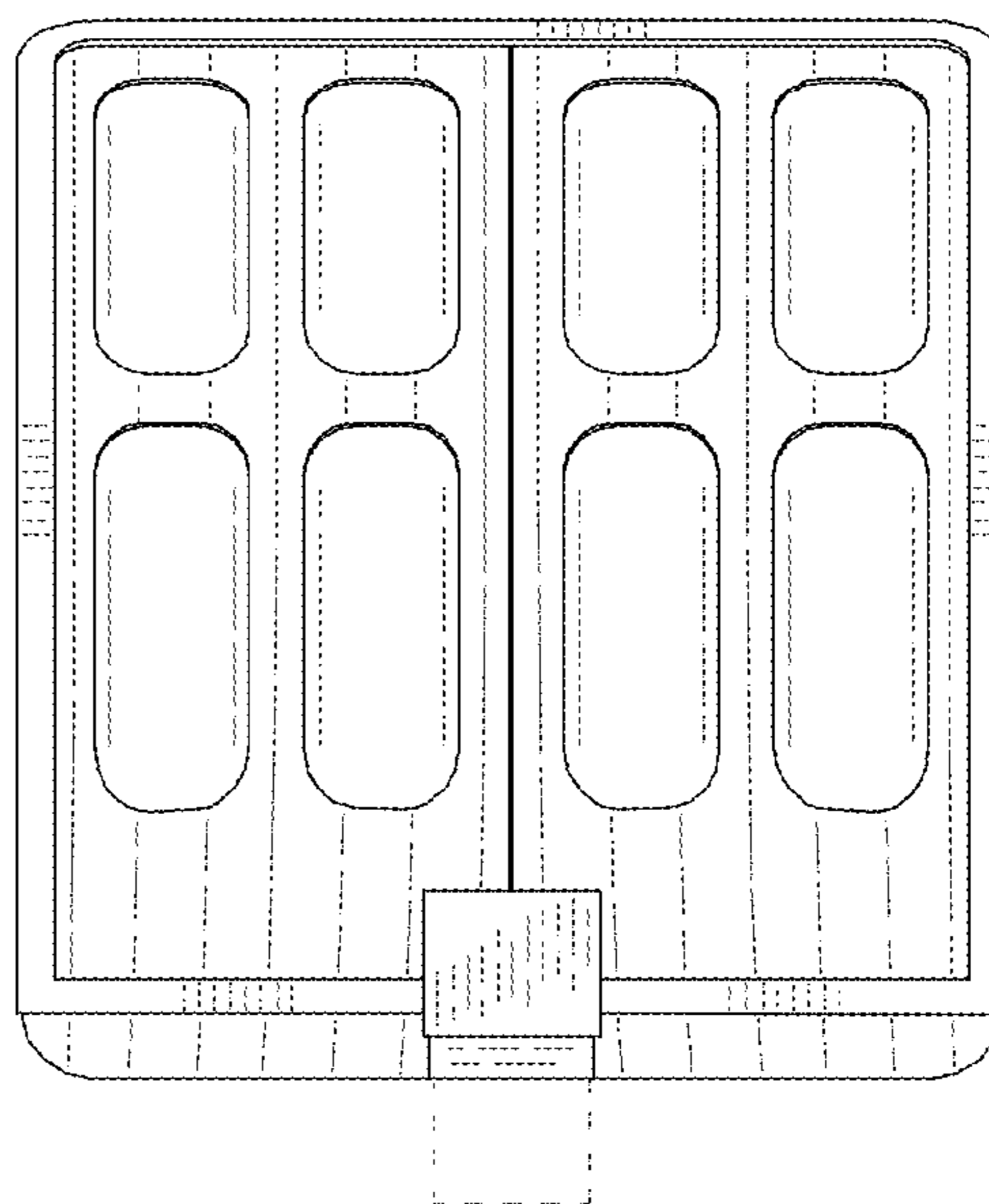


FIG. 12

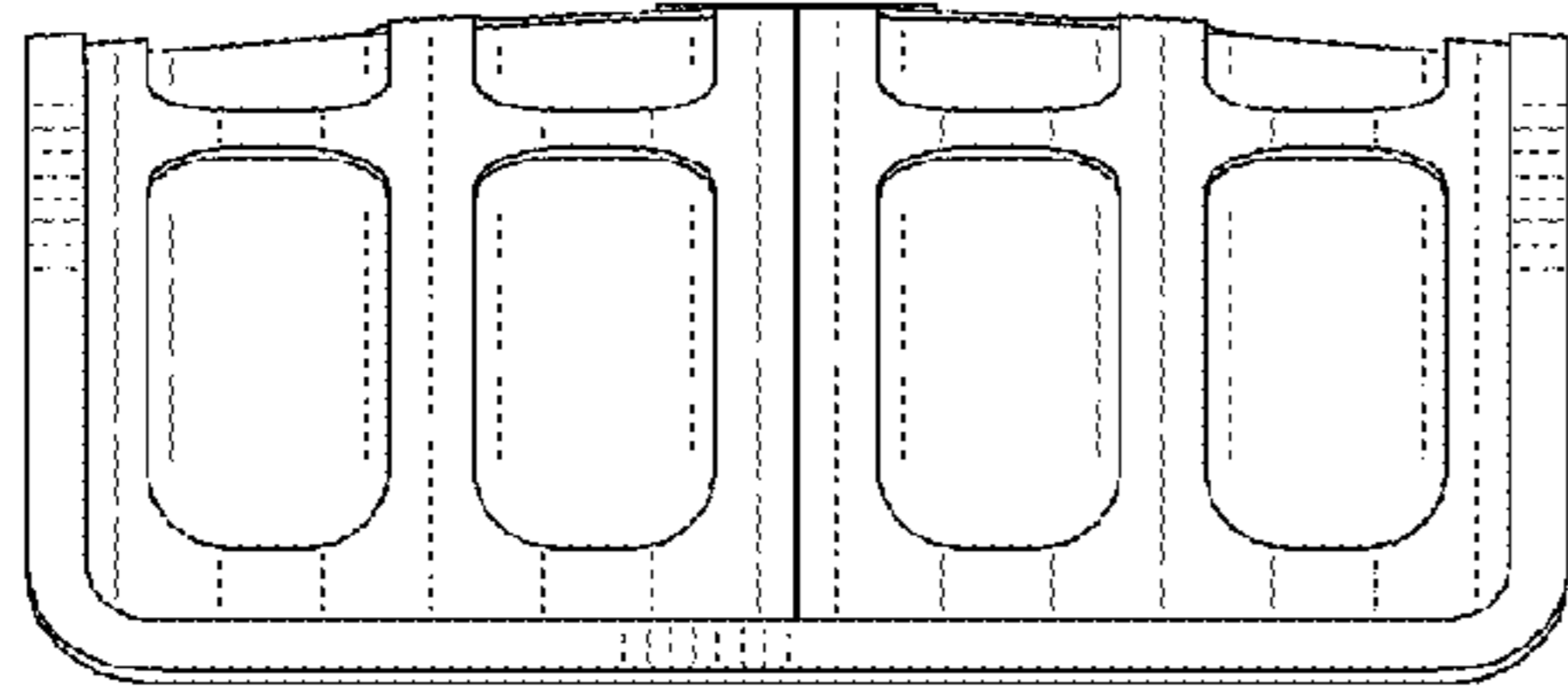


FIG. 13

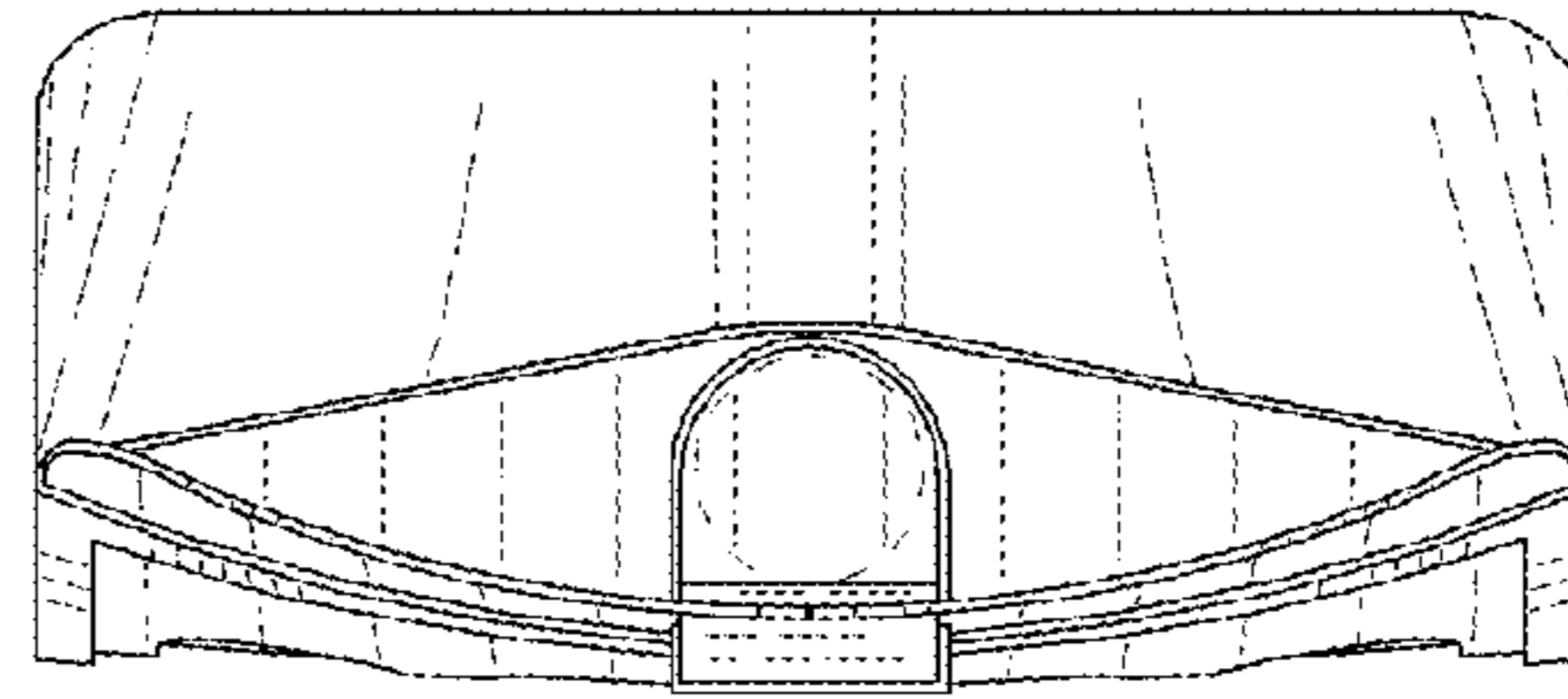


FIG. 14

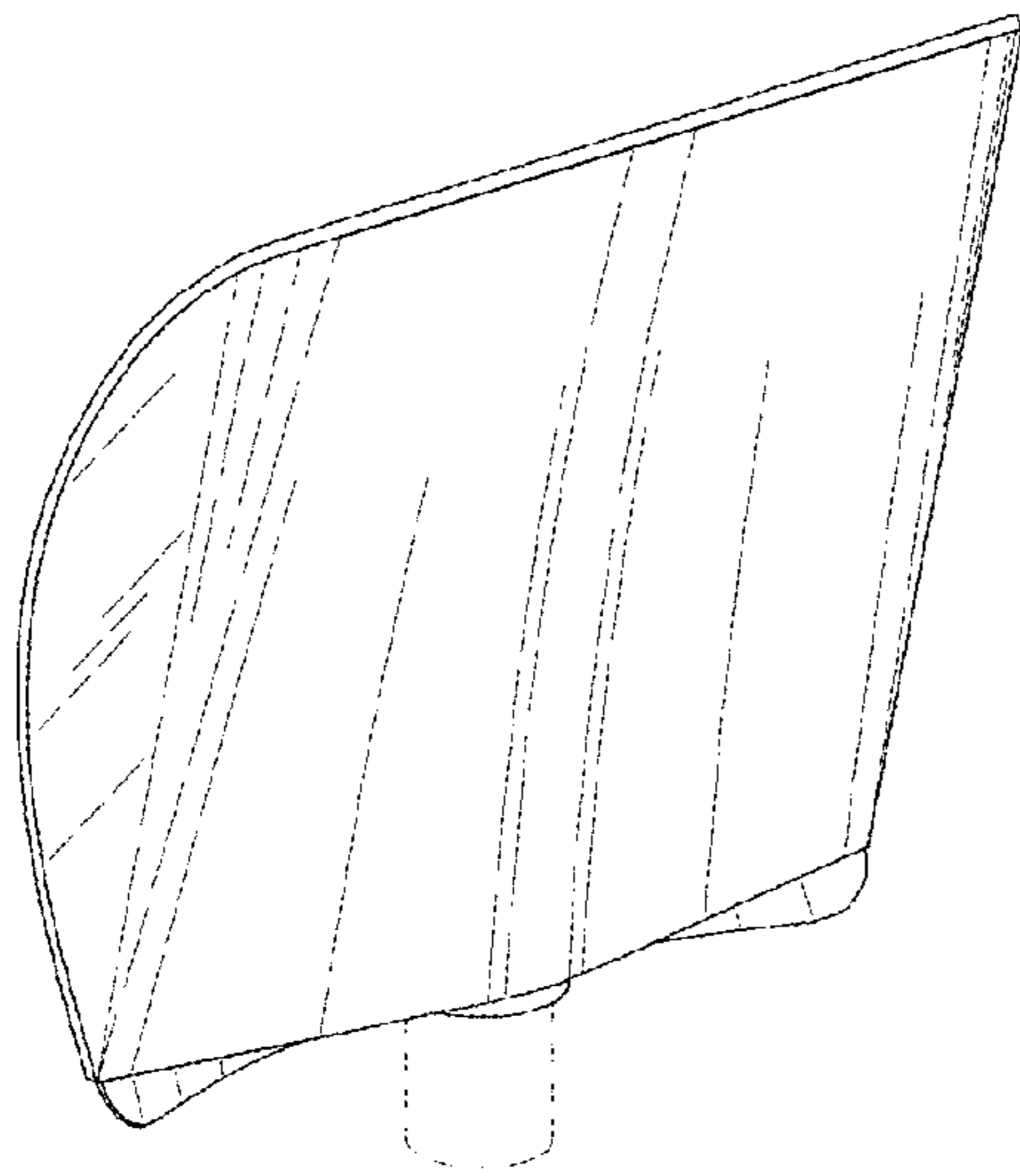


FIG. 15

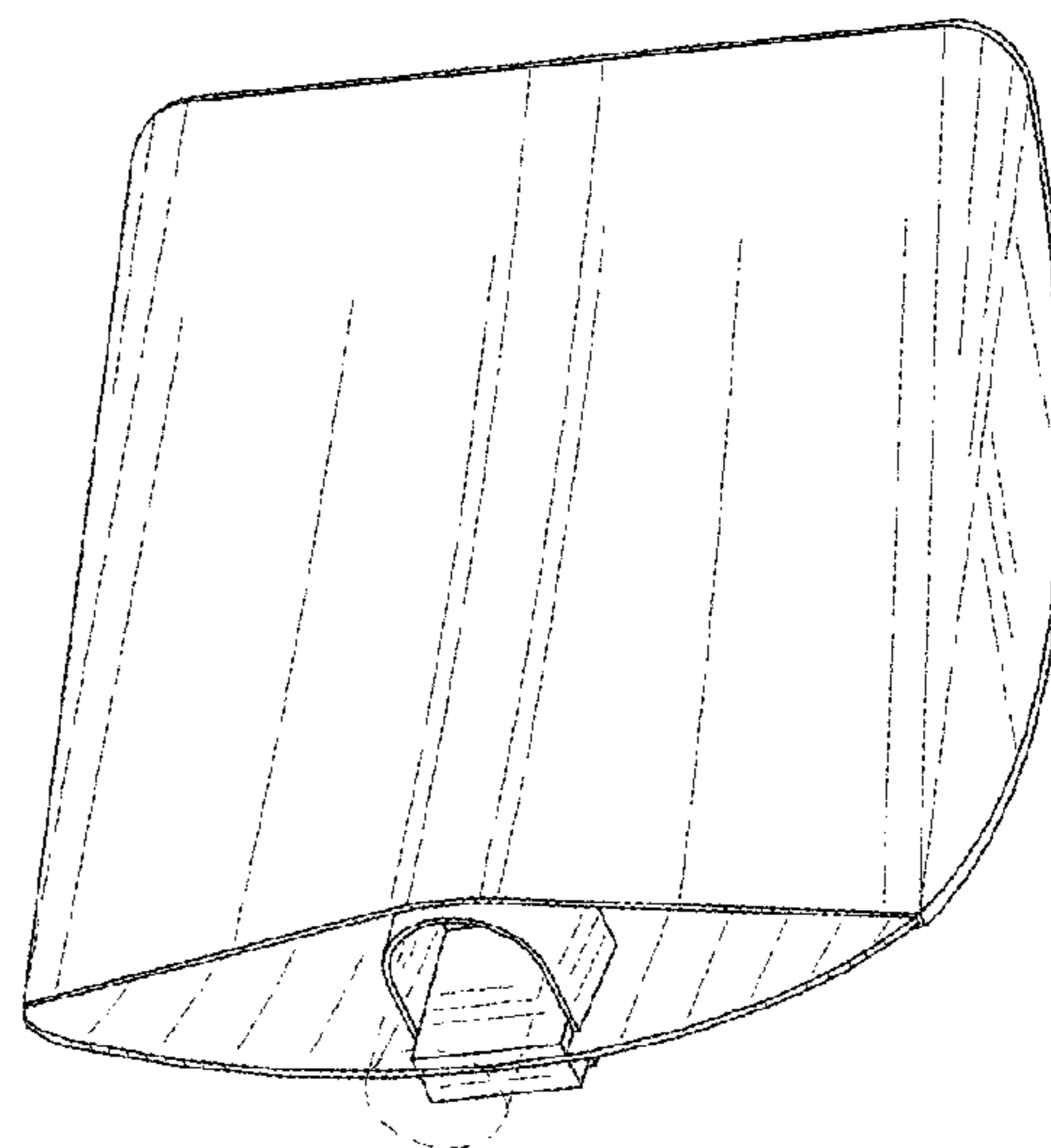


FIG. 16

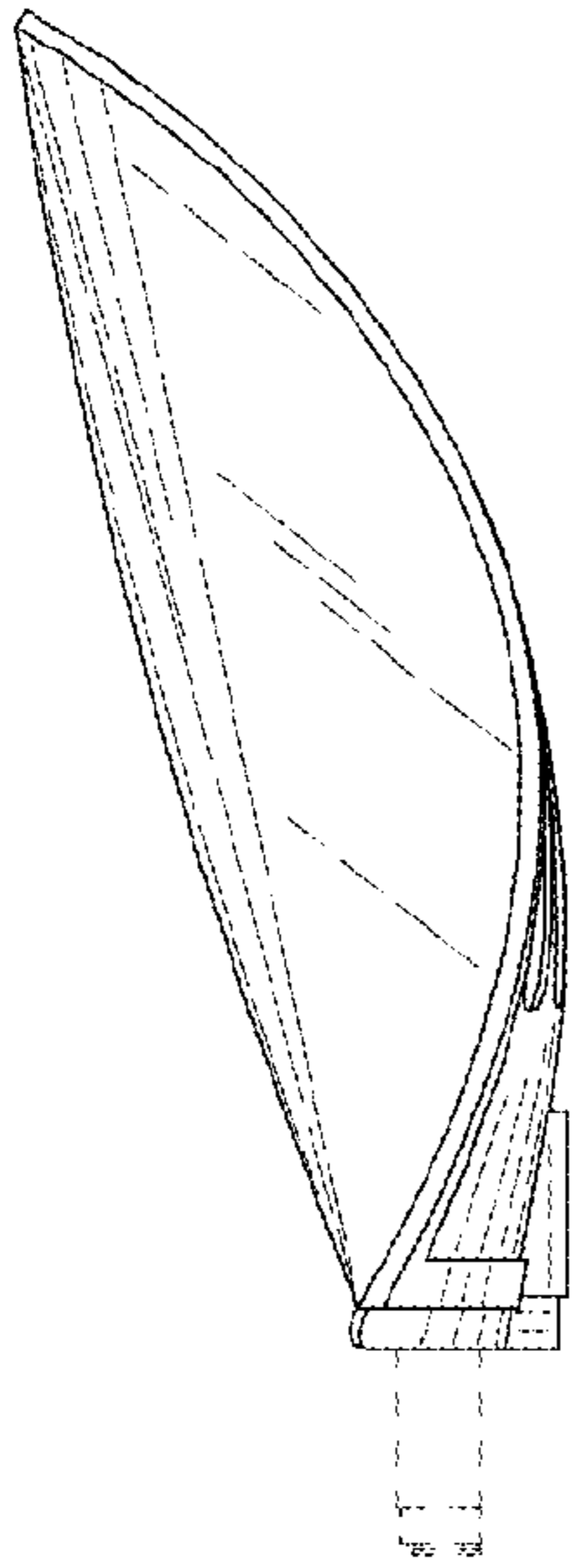


FIG. 17

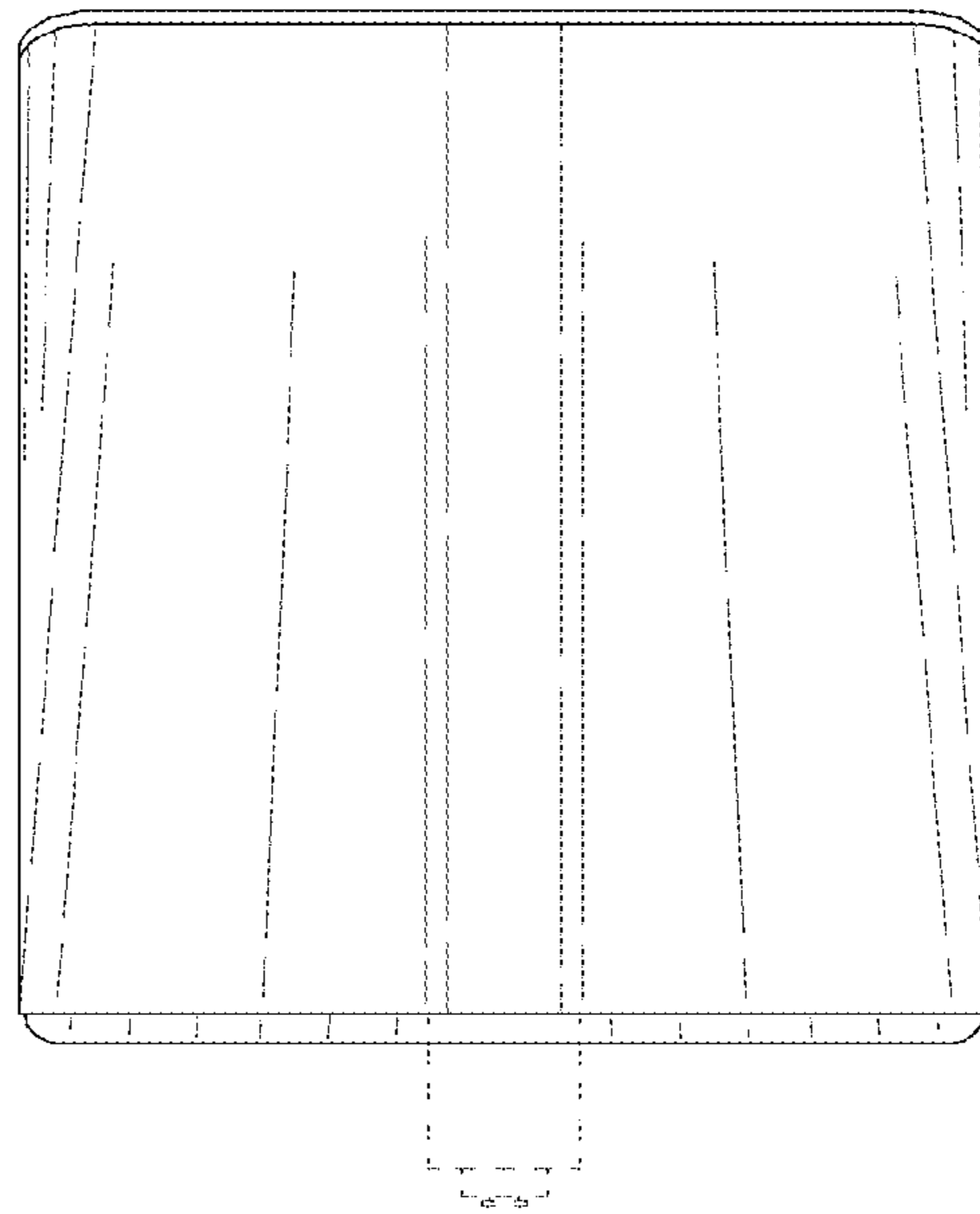


FIG. 19

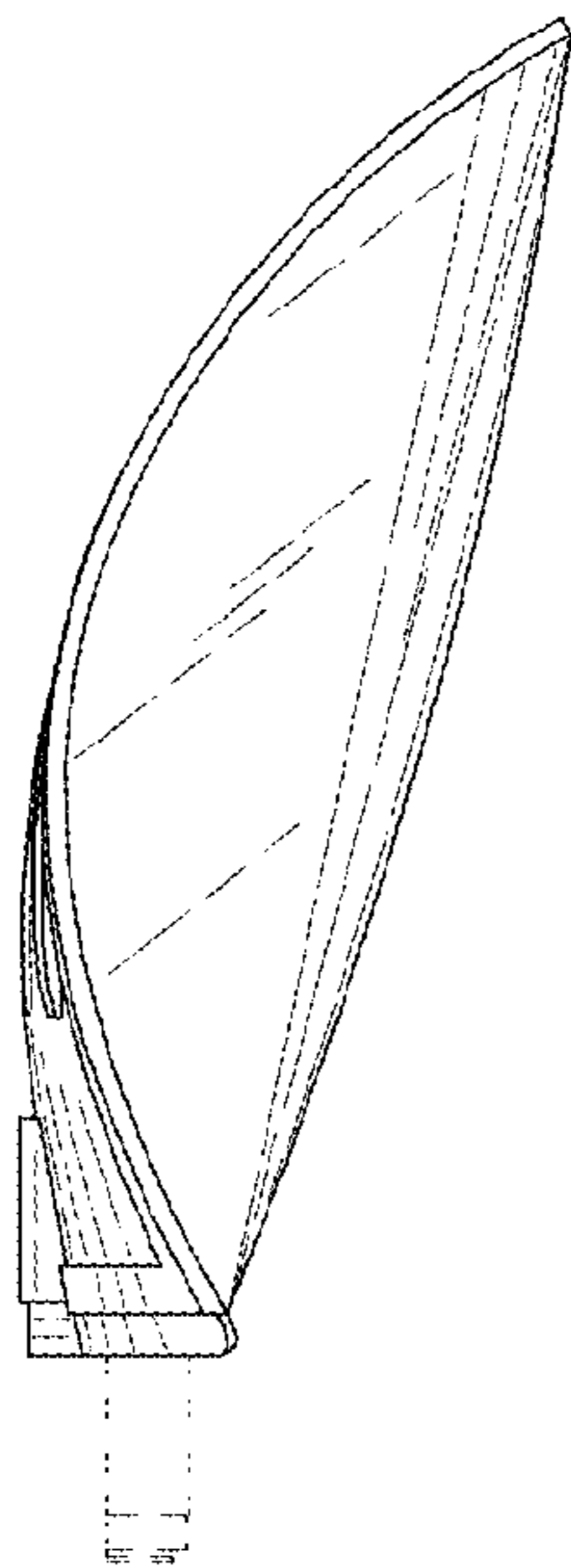


FIG. 18

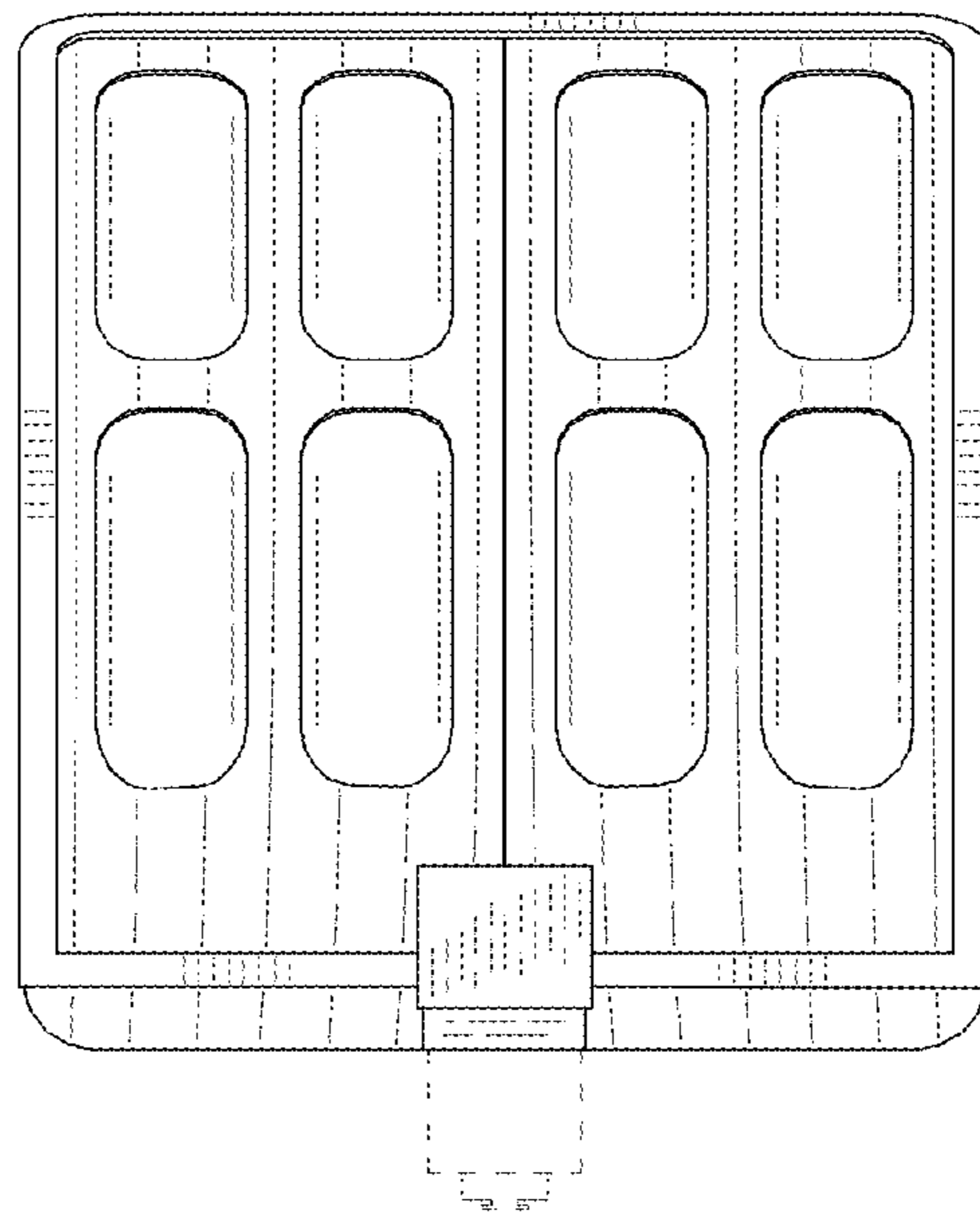


FIG. 20

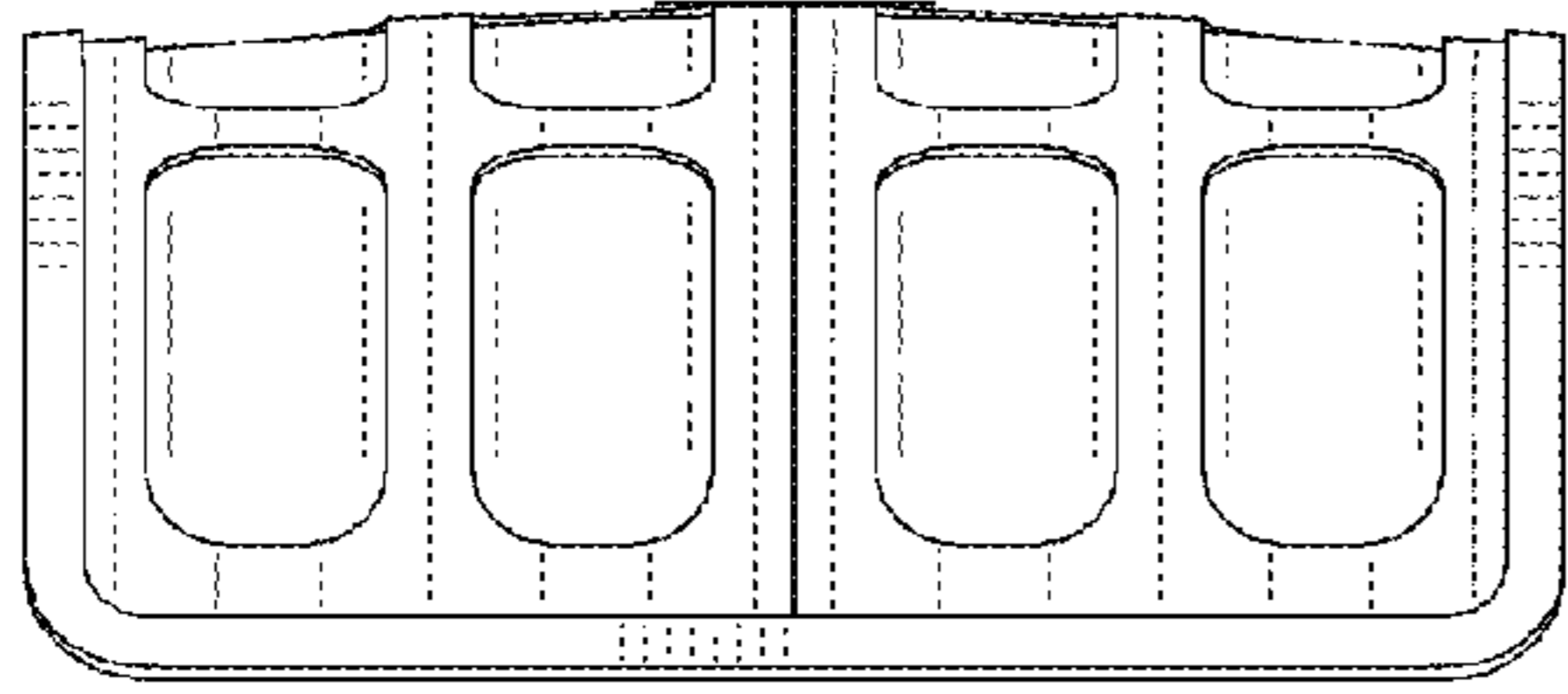


FIG. 21

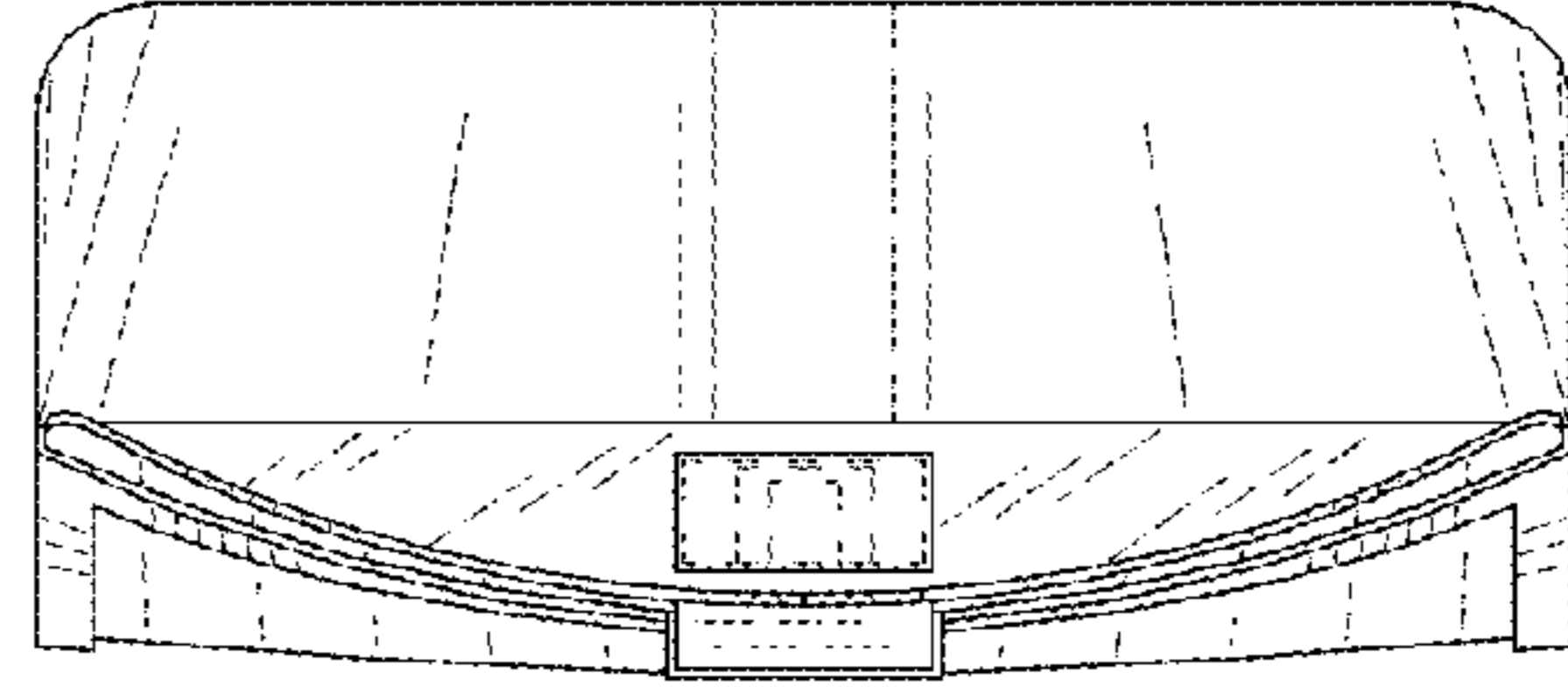


FIG. 22

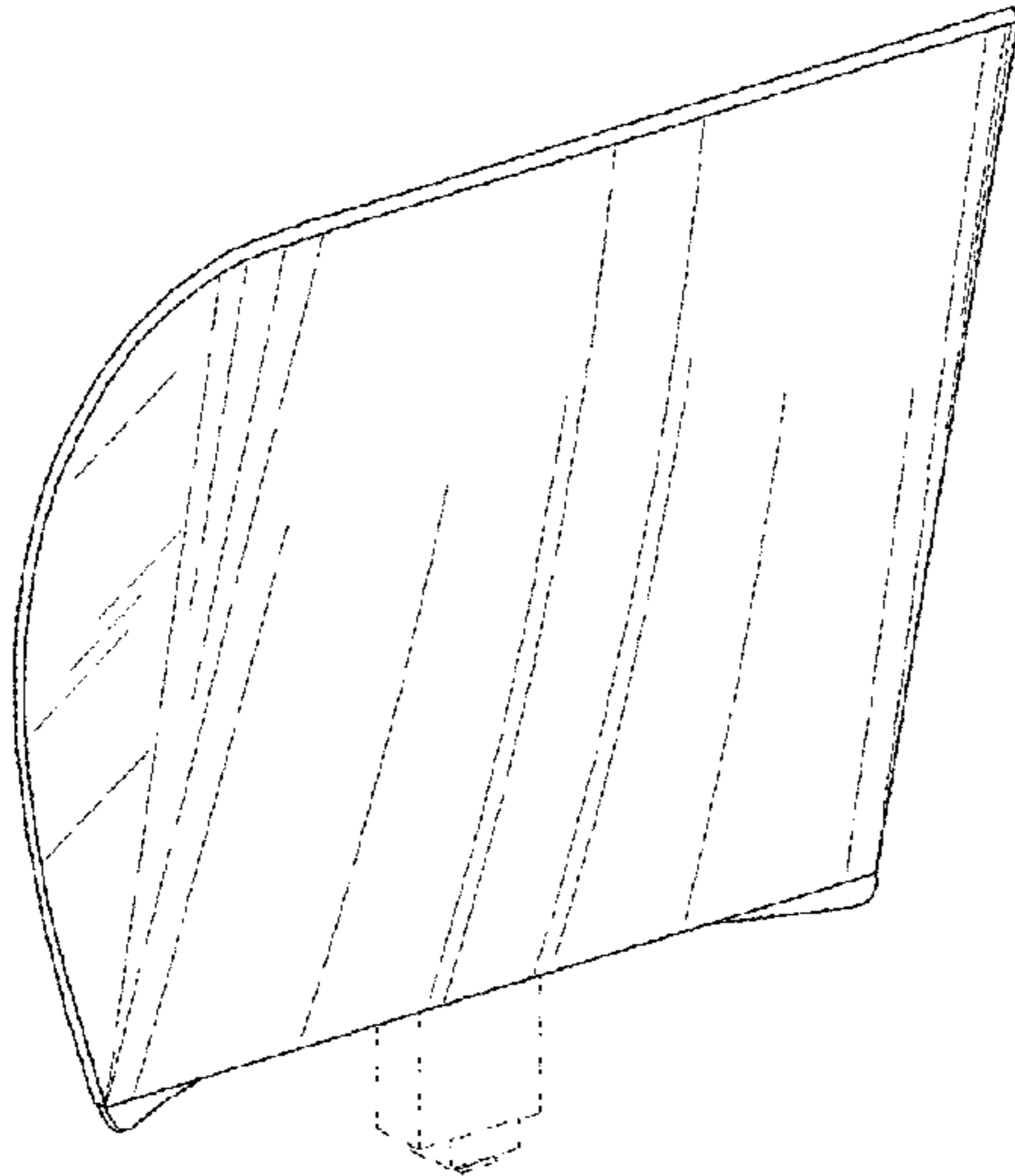


FIG. 23

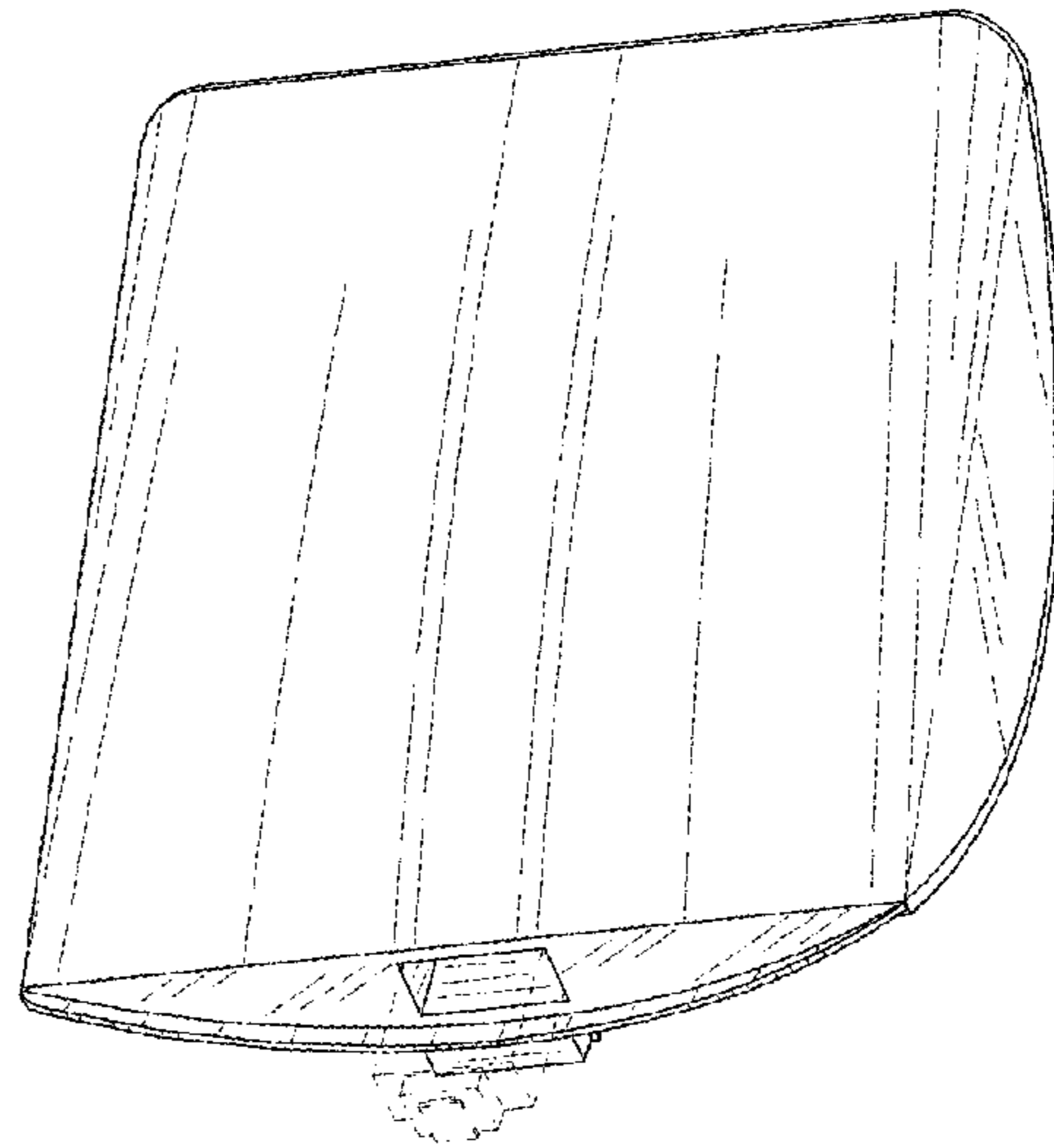


FIG. 24

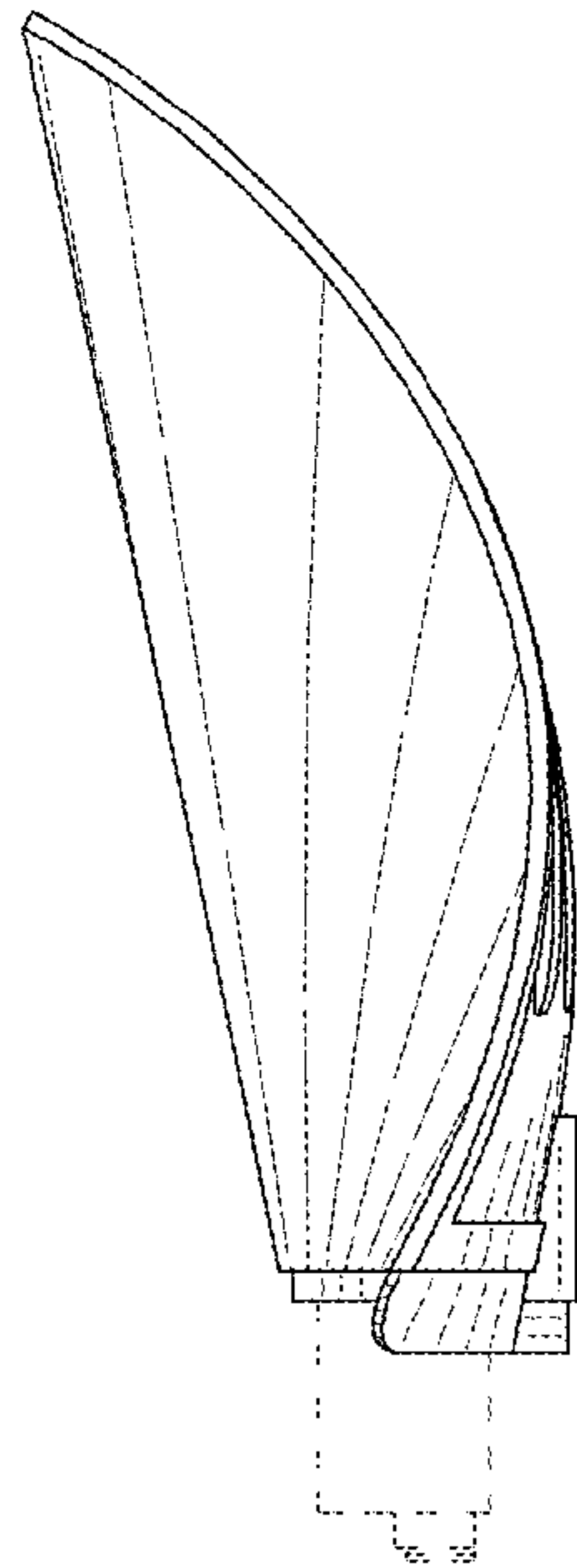


FIG. 25

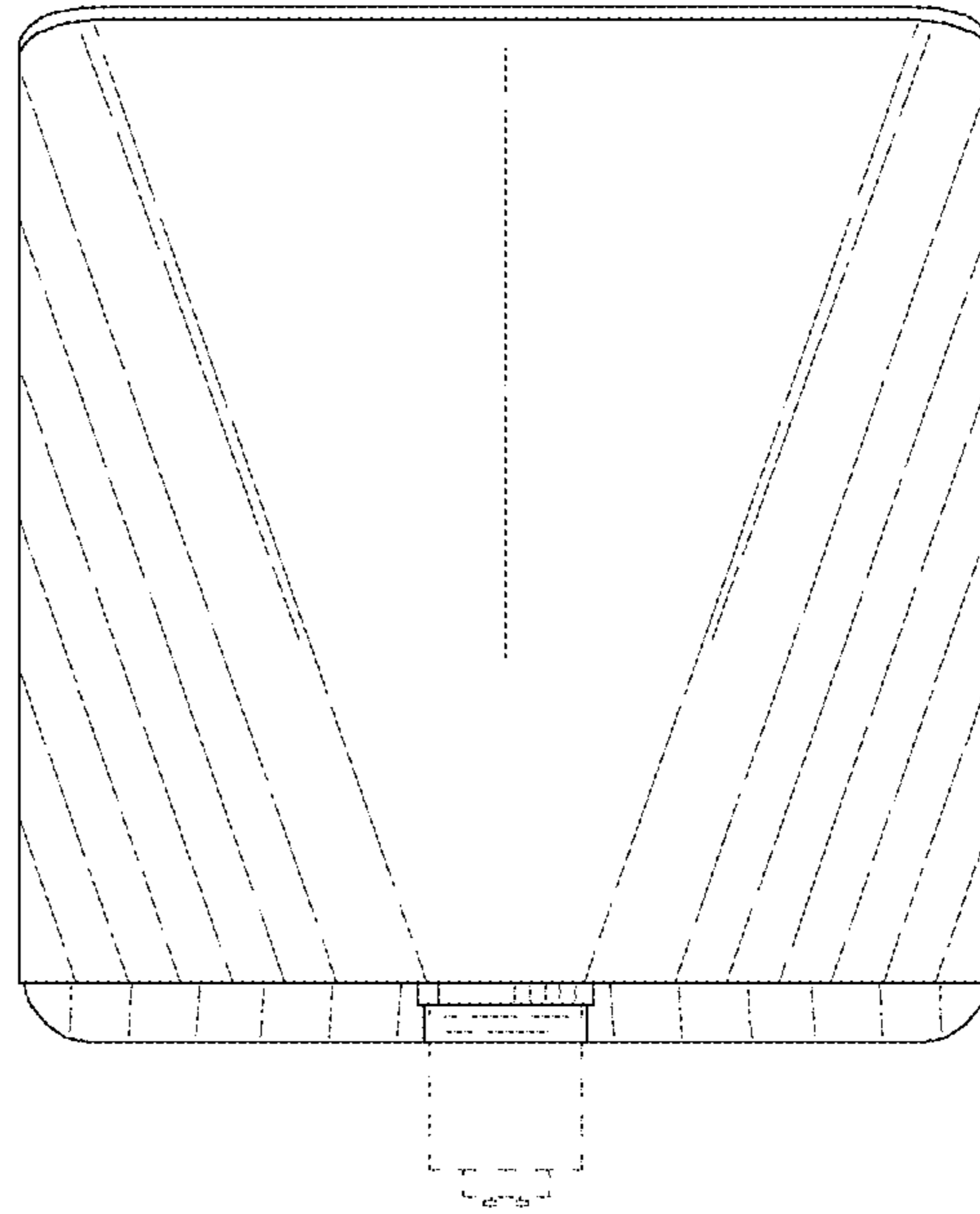


FIG. 27

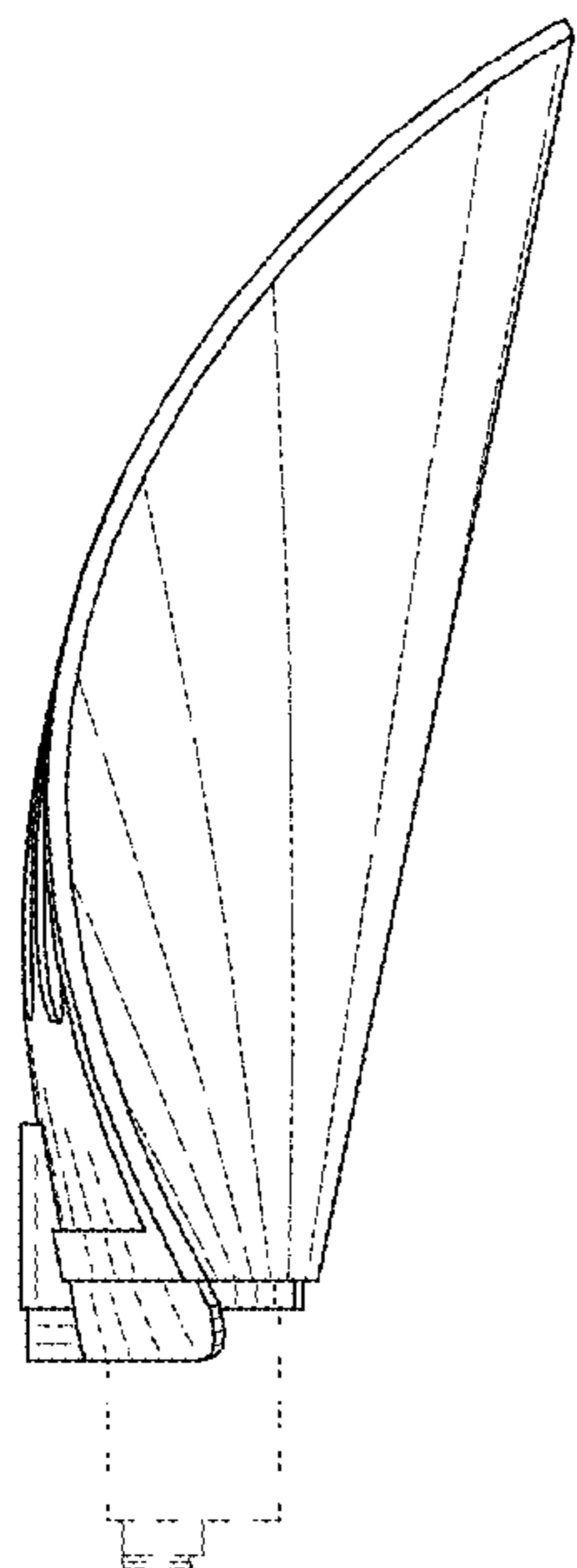


FIG. 26

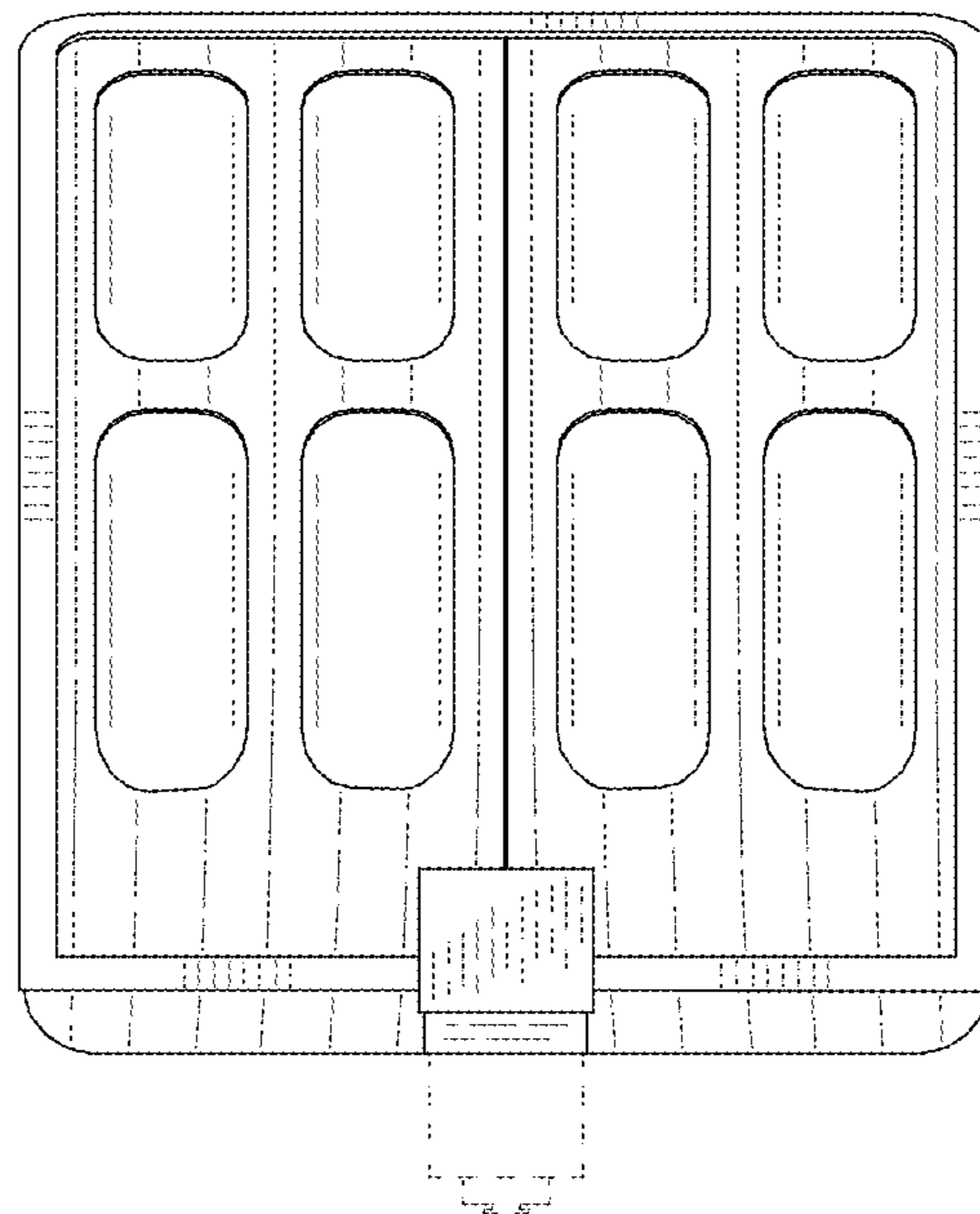


FIG. 28

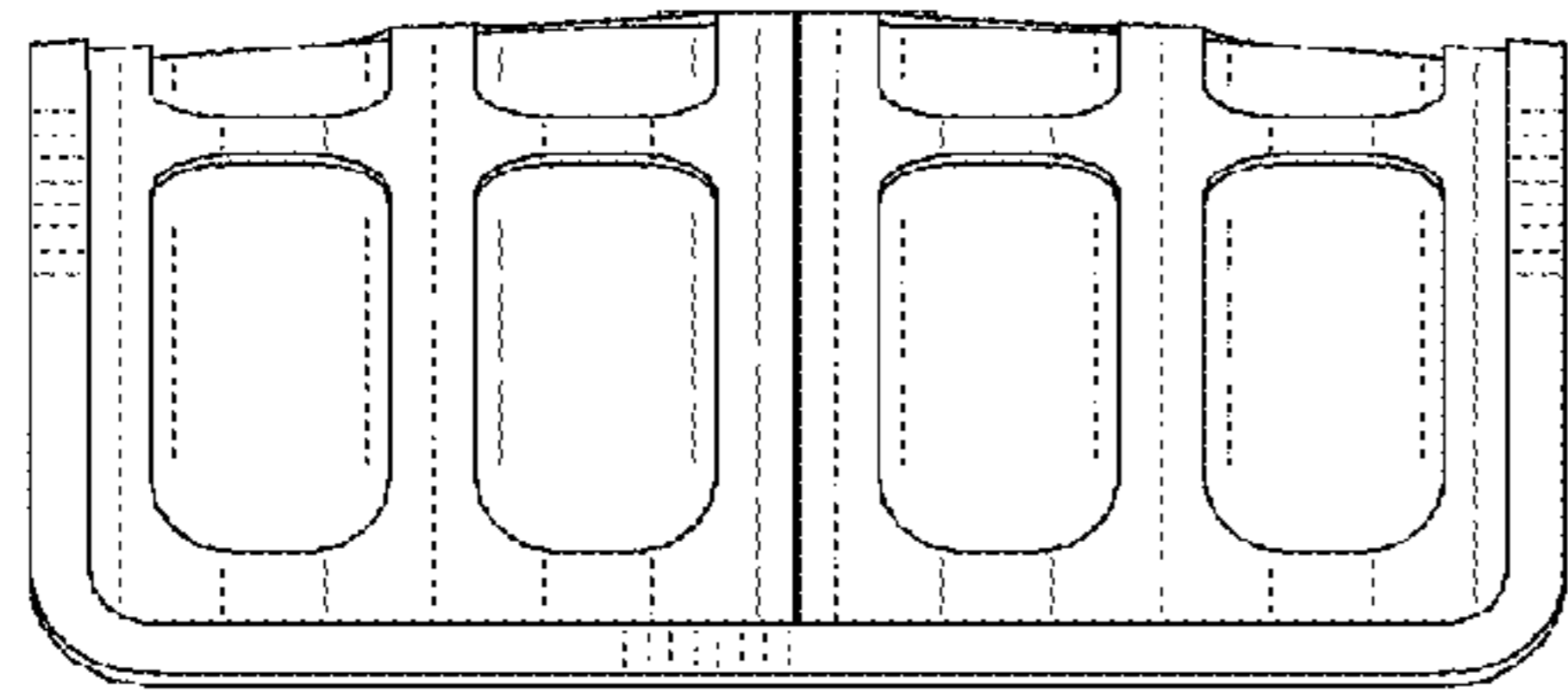


FIG. 29

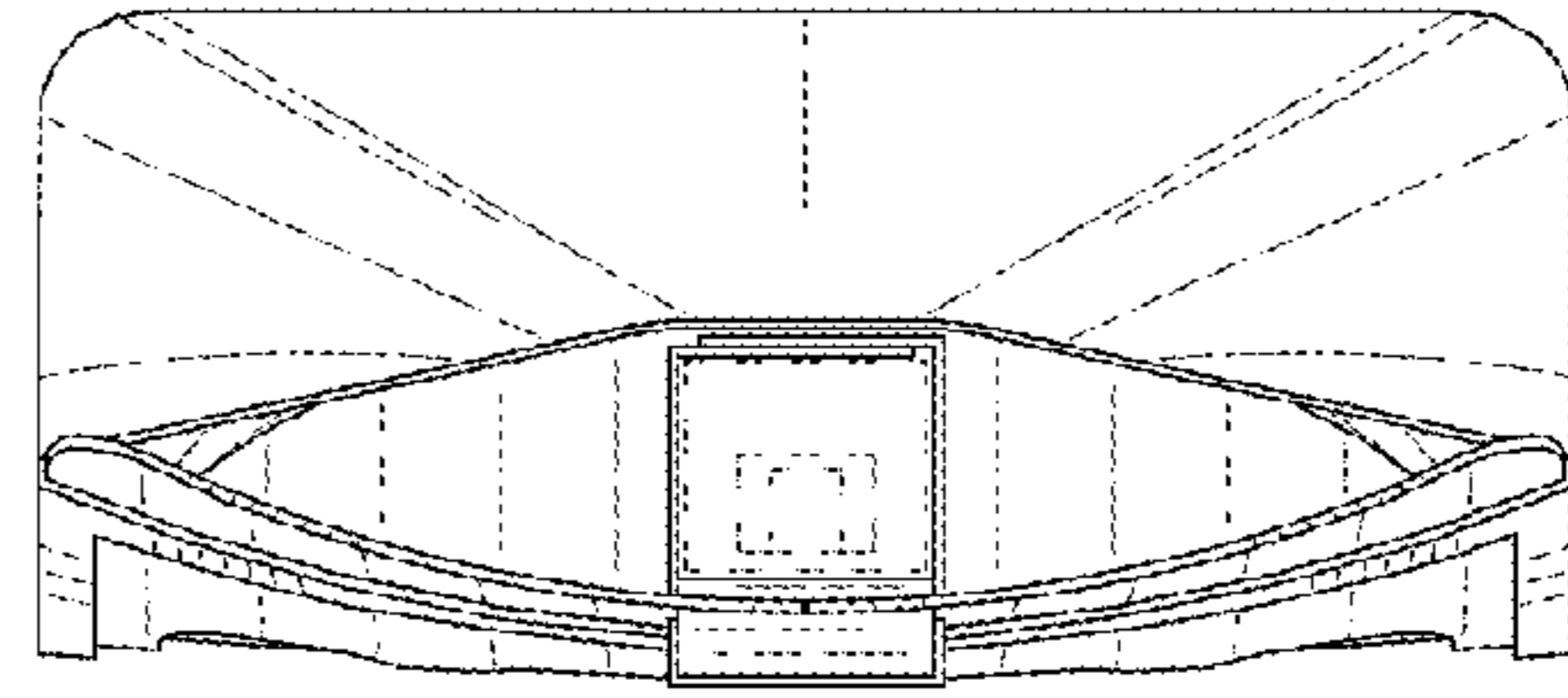


FIG. 30

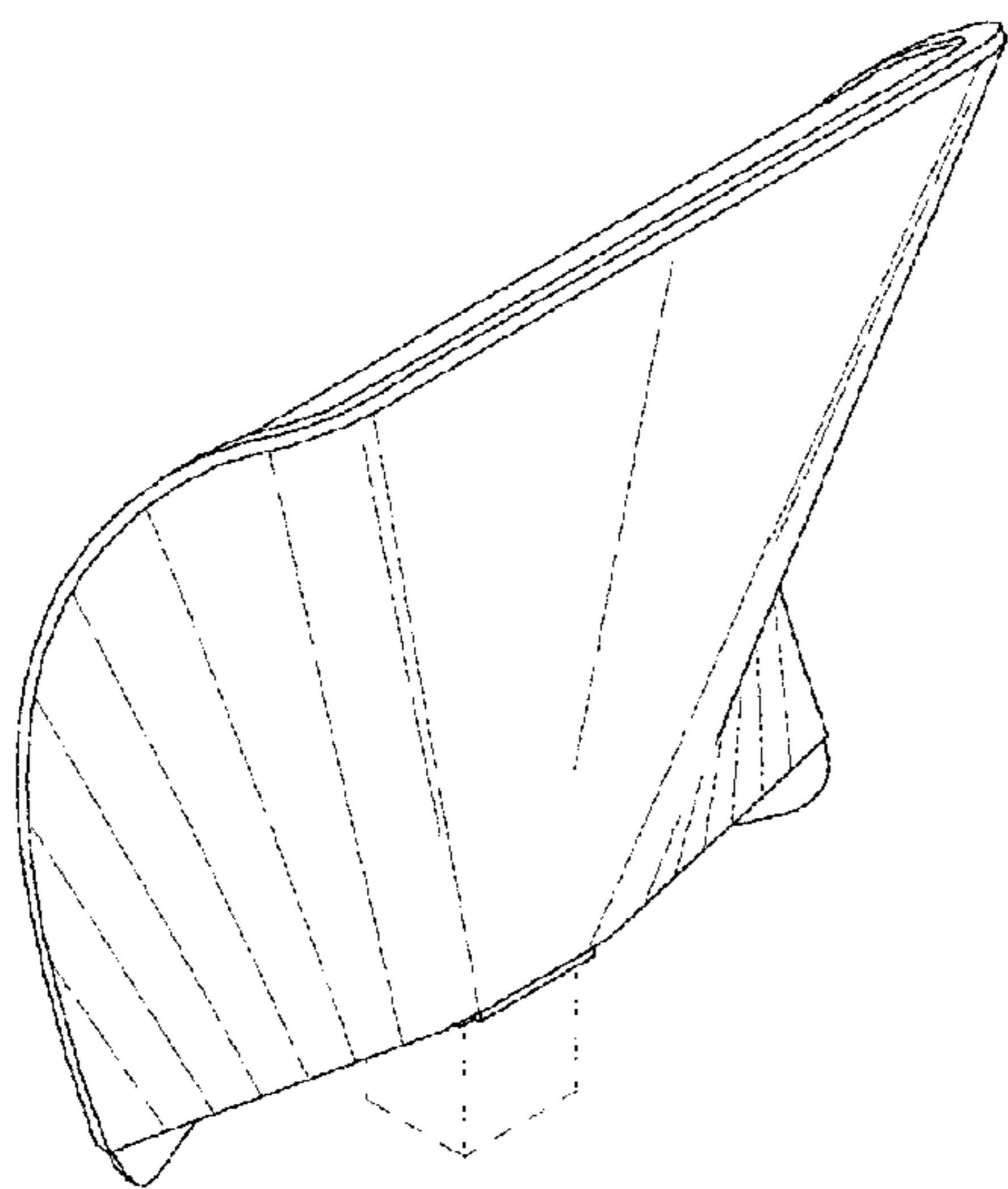


FIG. 31

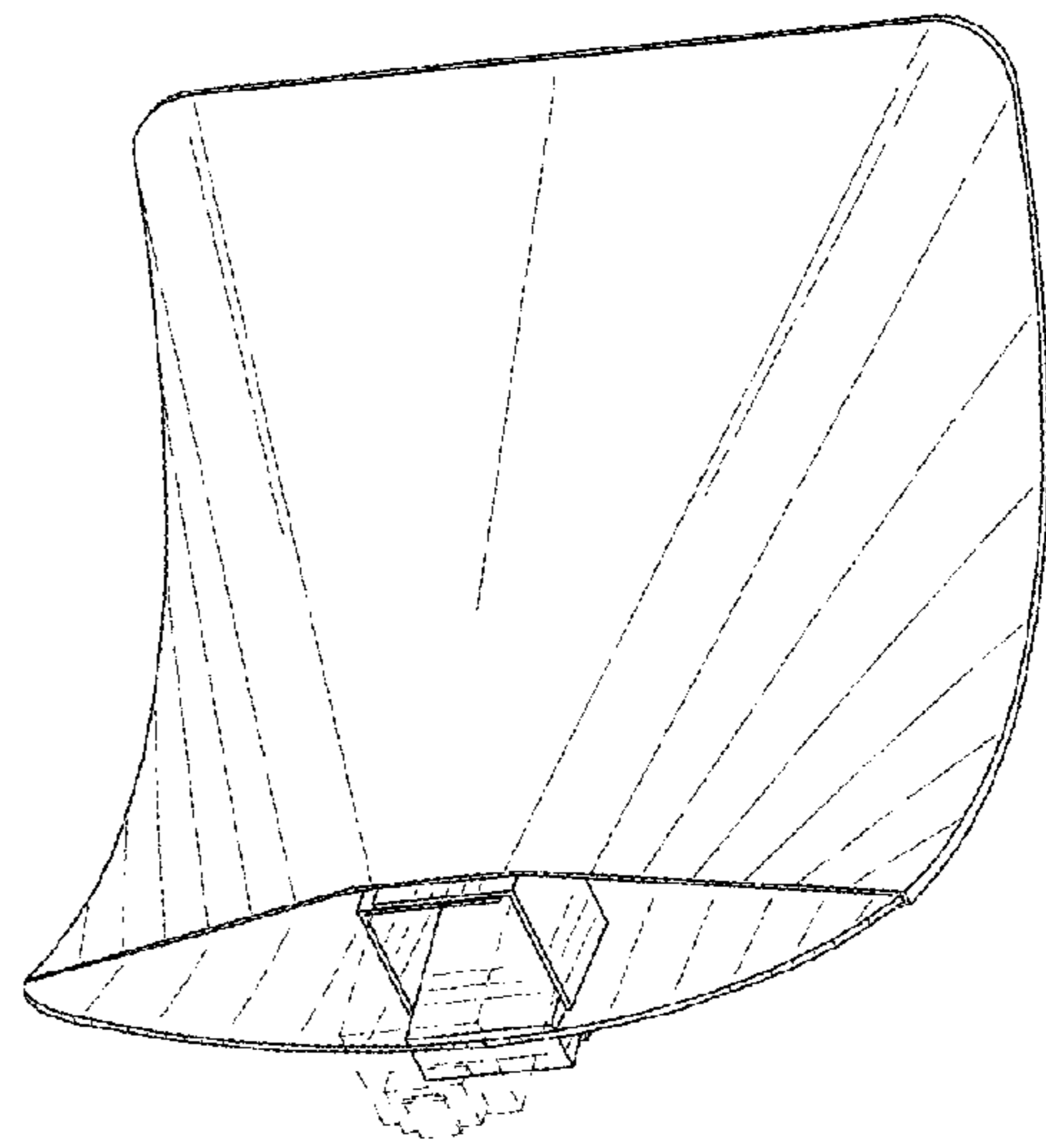


FIG. 32

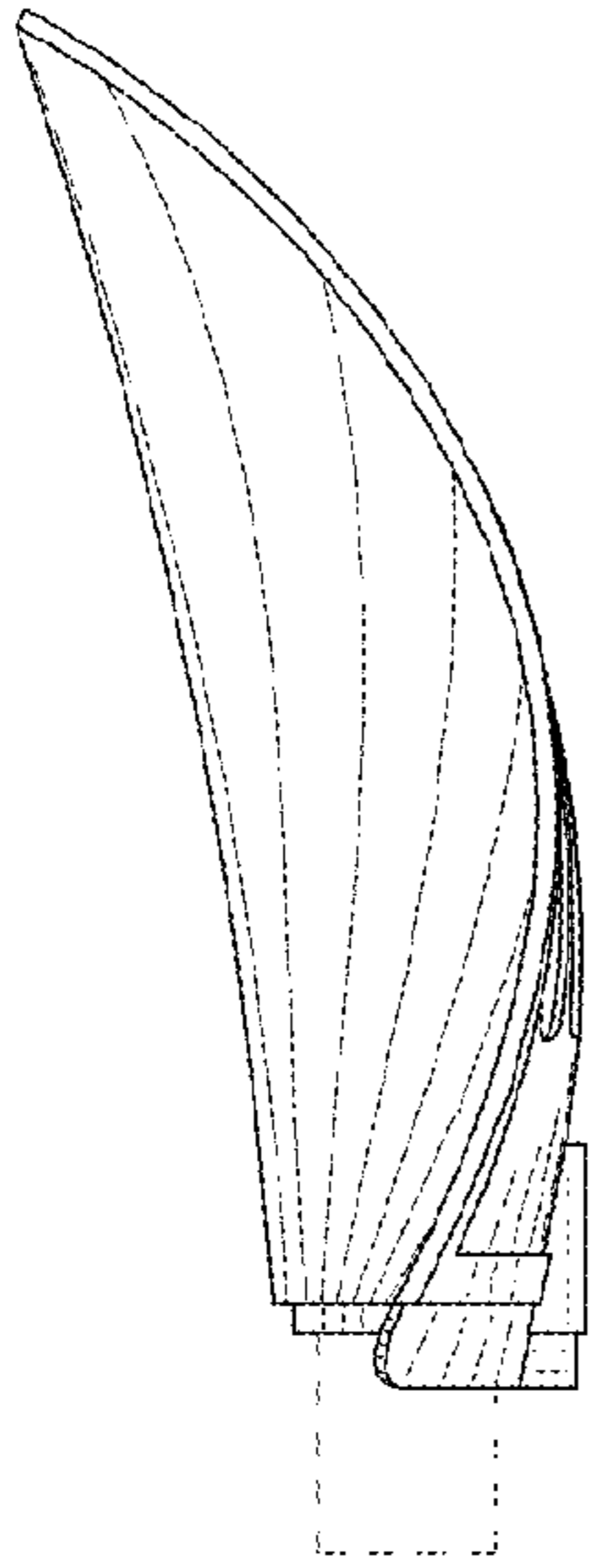


FIG. 33

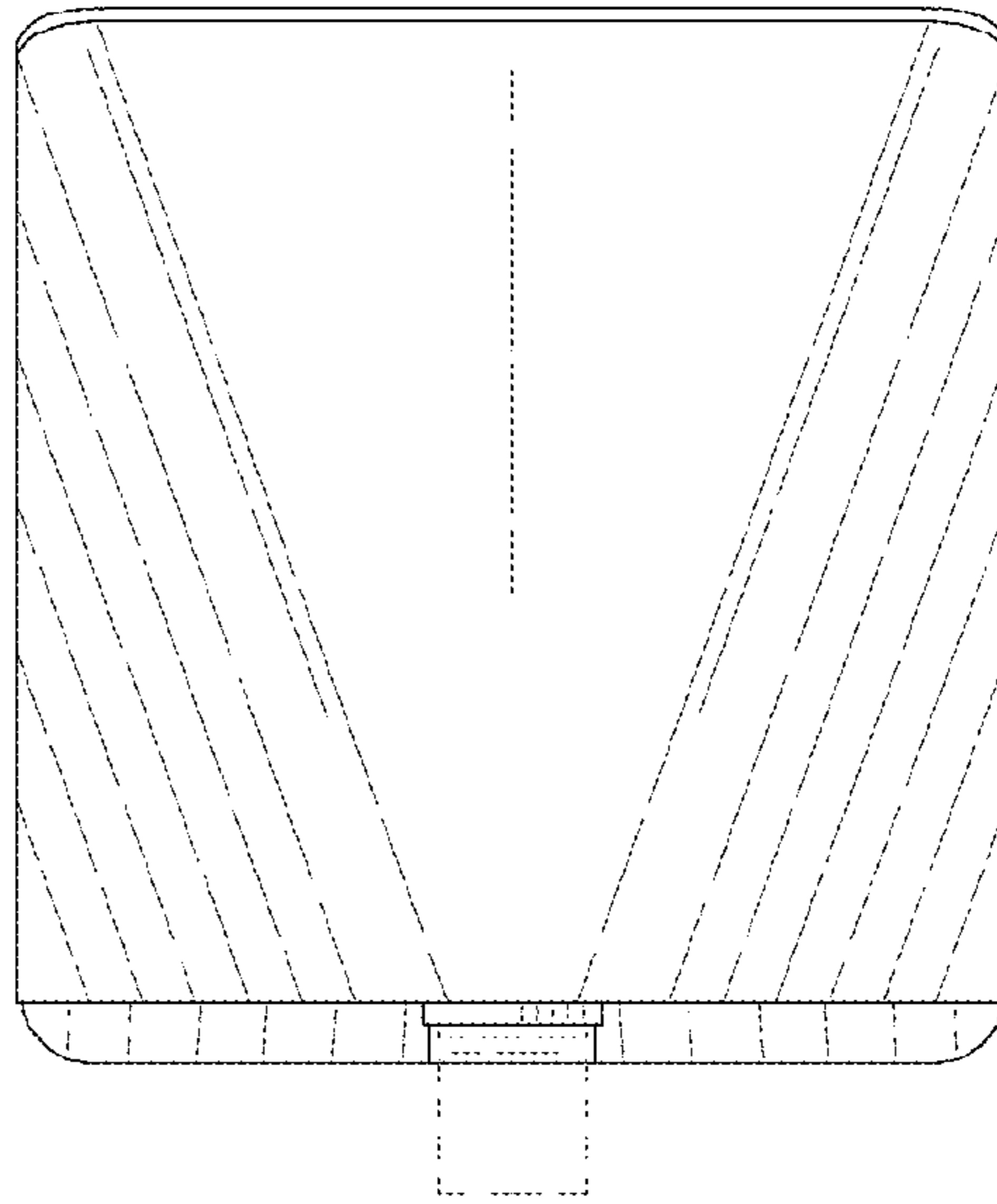


FIG. 35

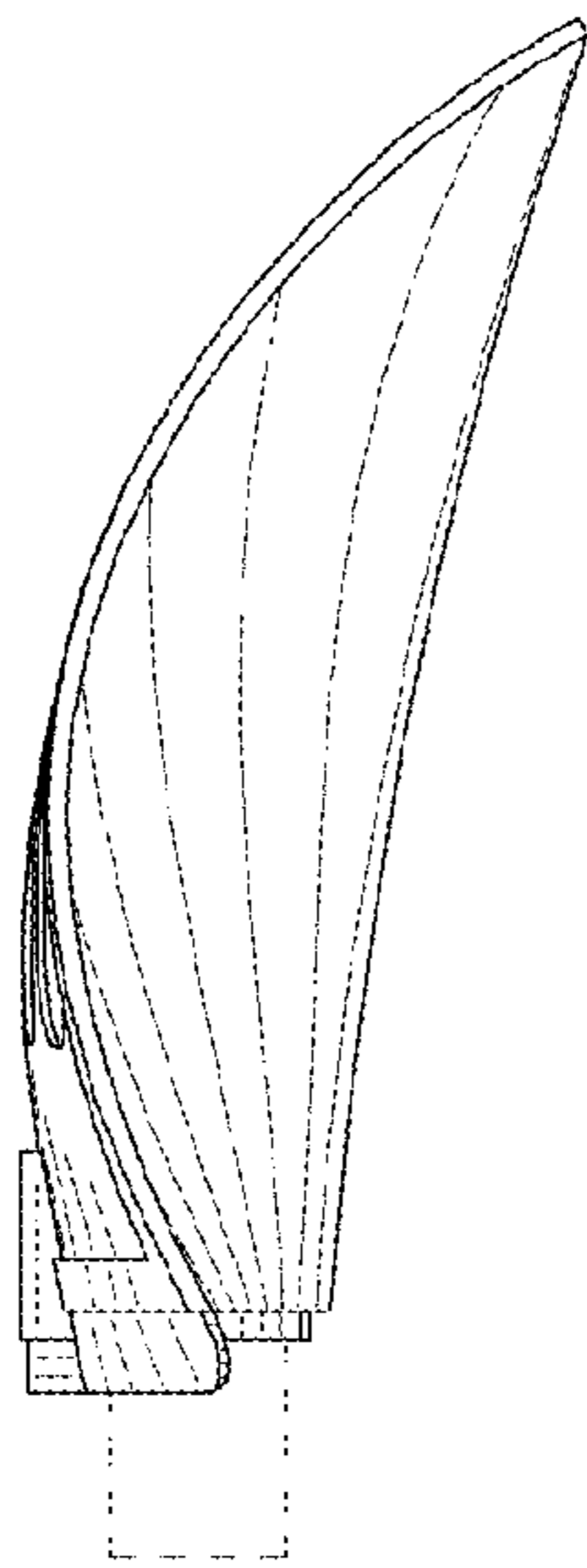


FIG. 34

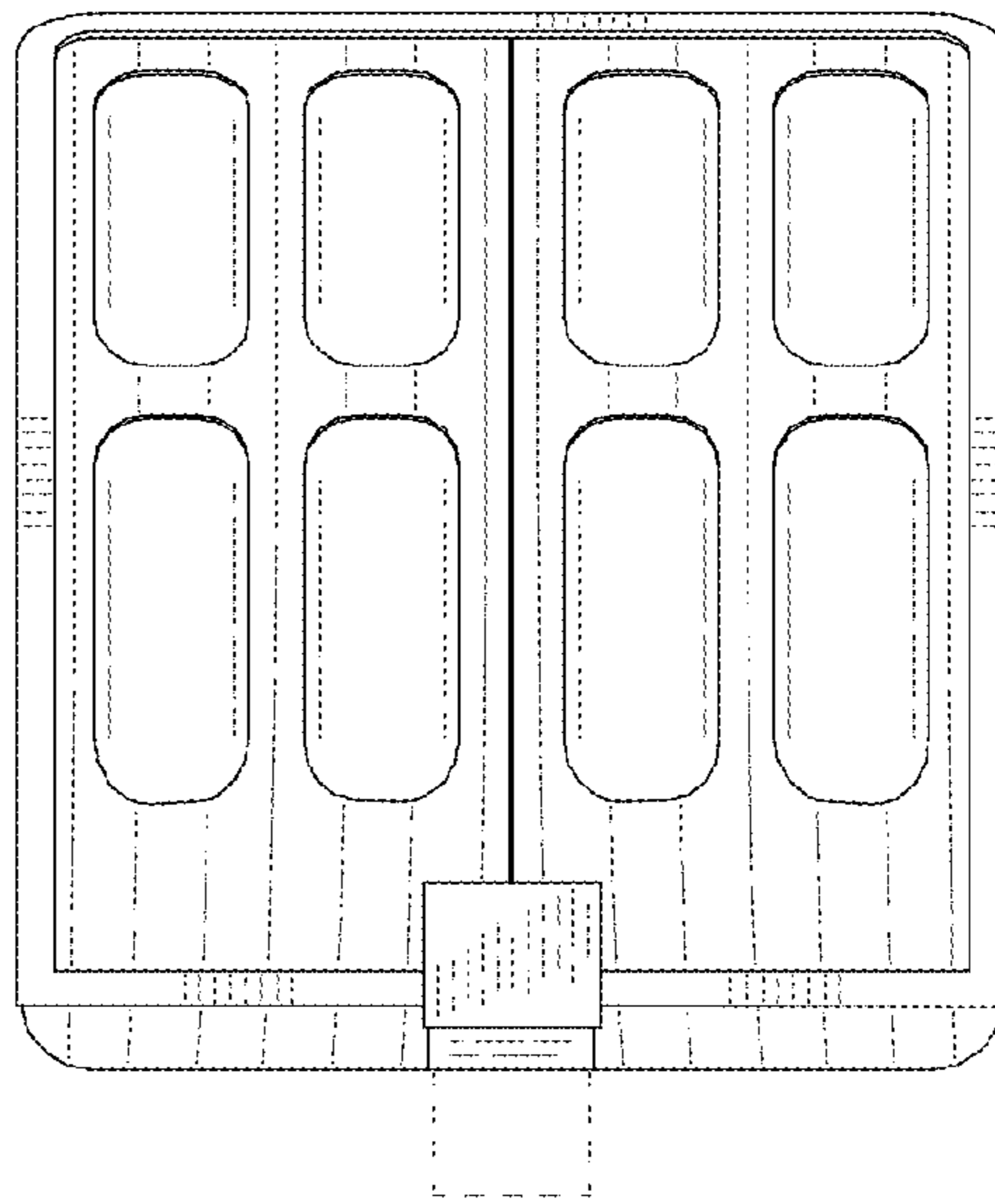


FIG. 36

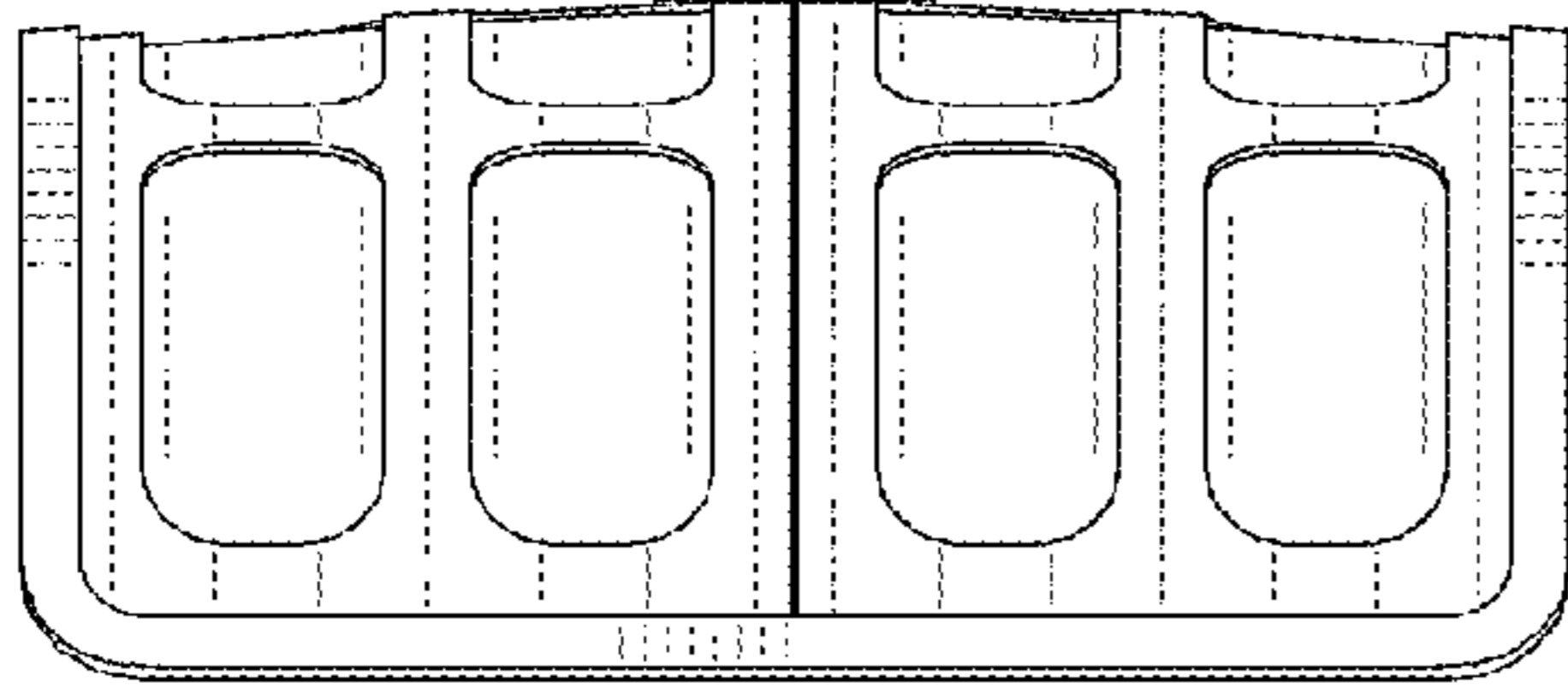


FIG. 37

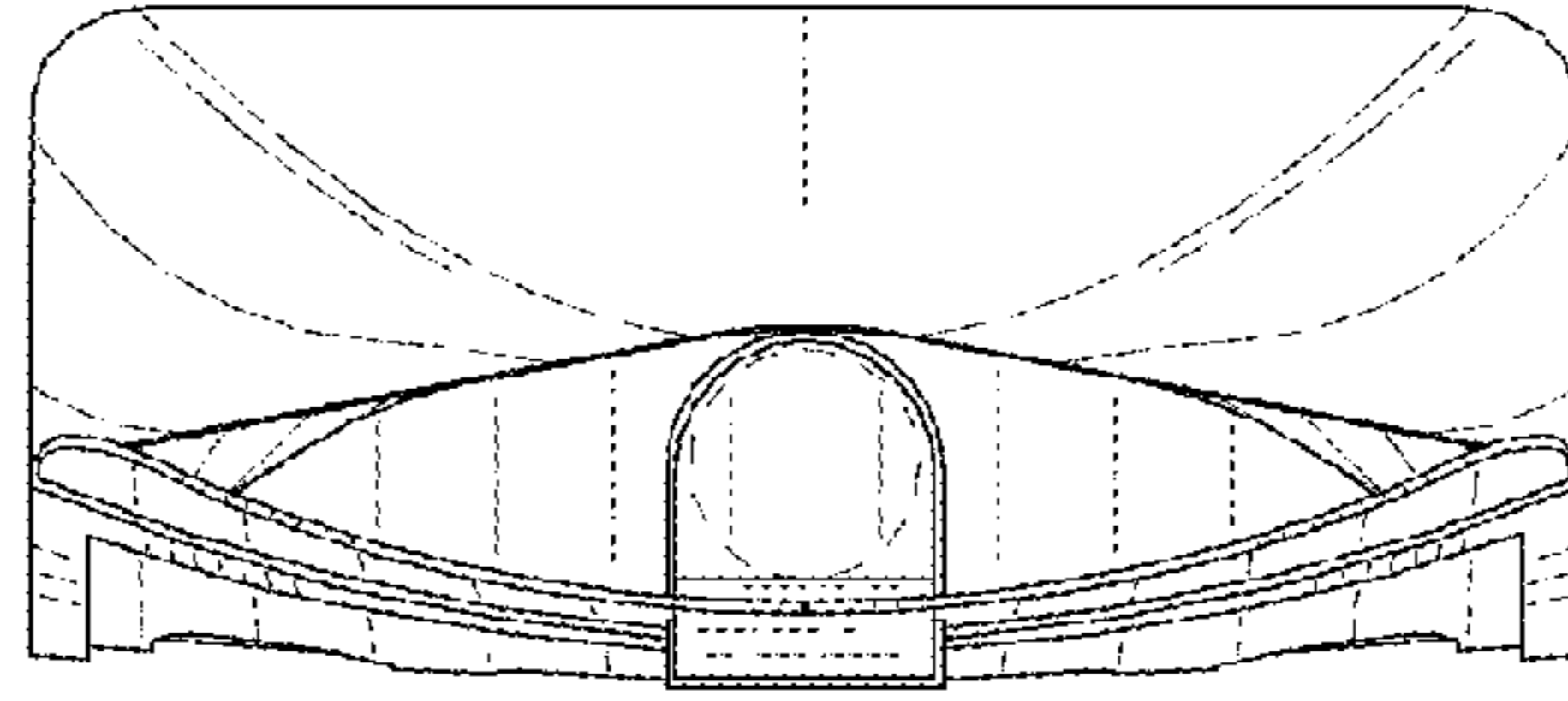


FIG. 38

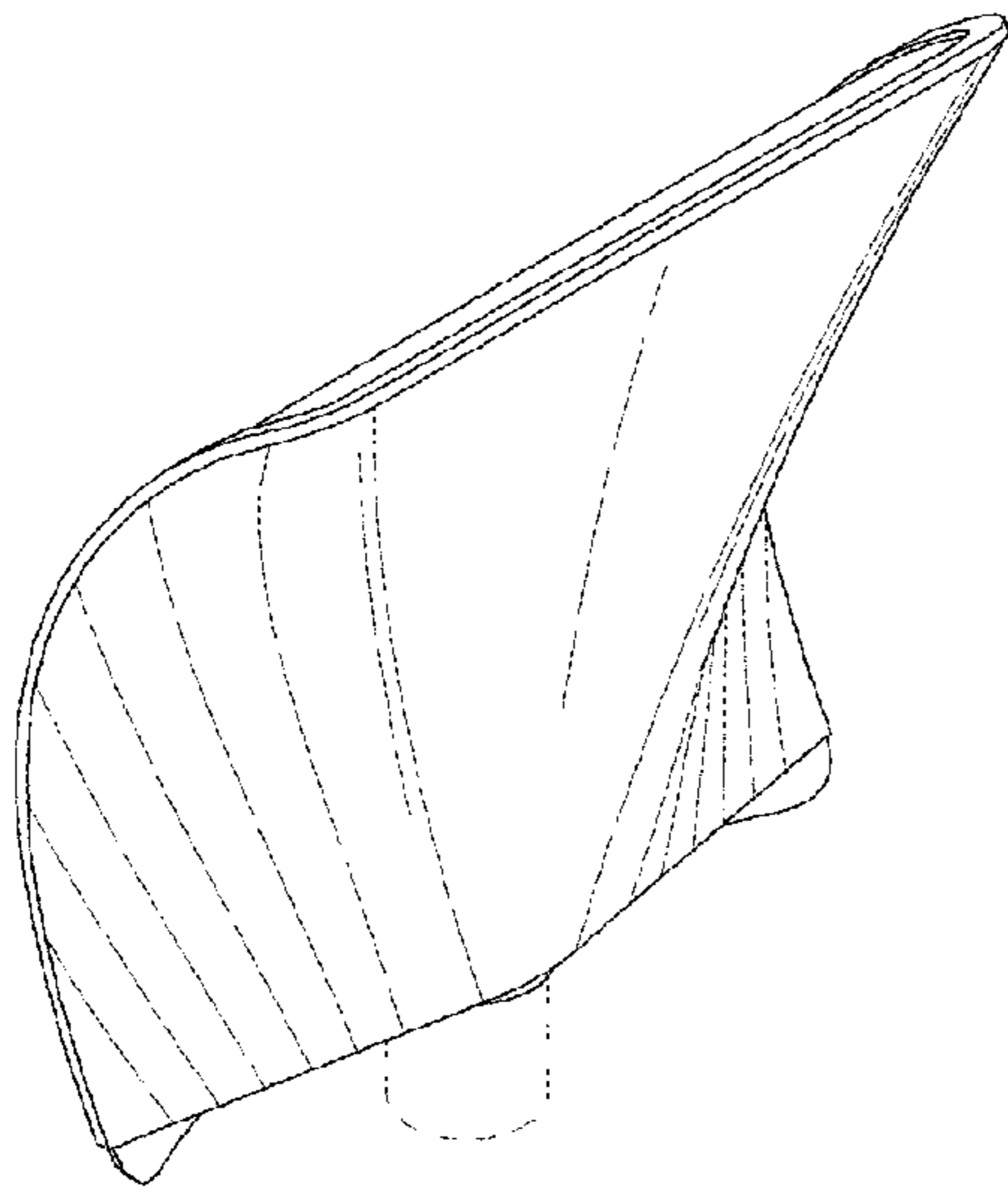


FIG. 39

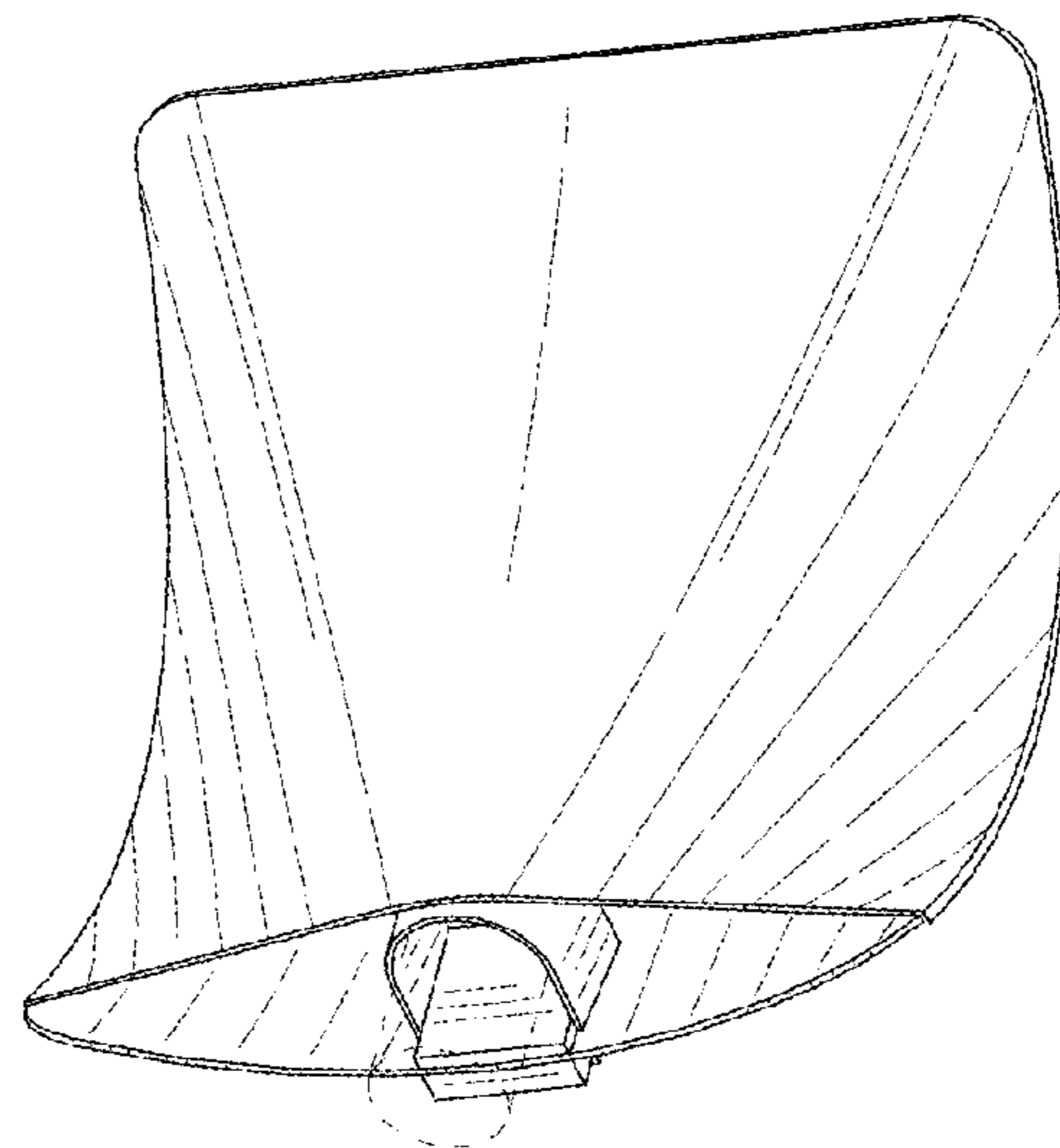


FIG. 40

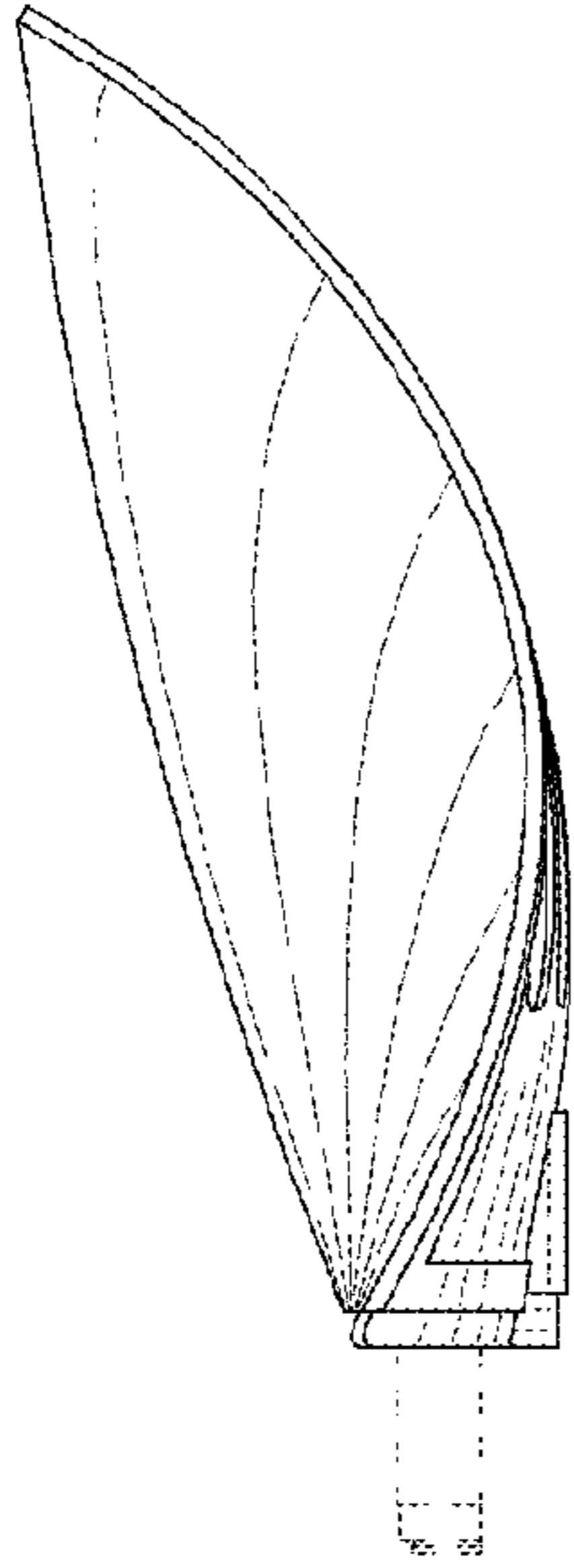


FIG. 41

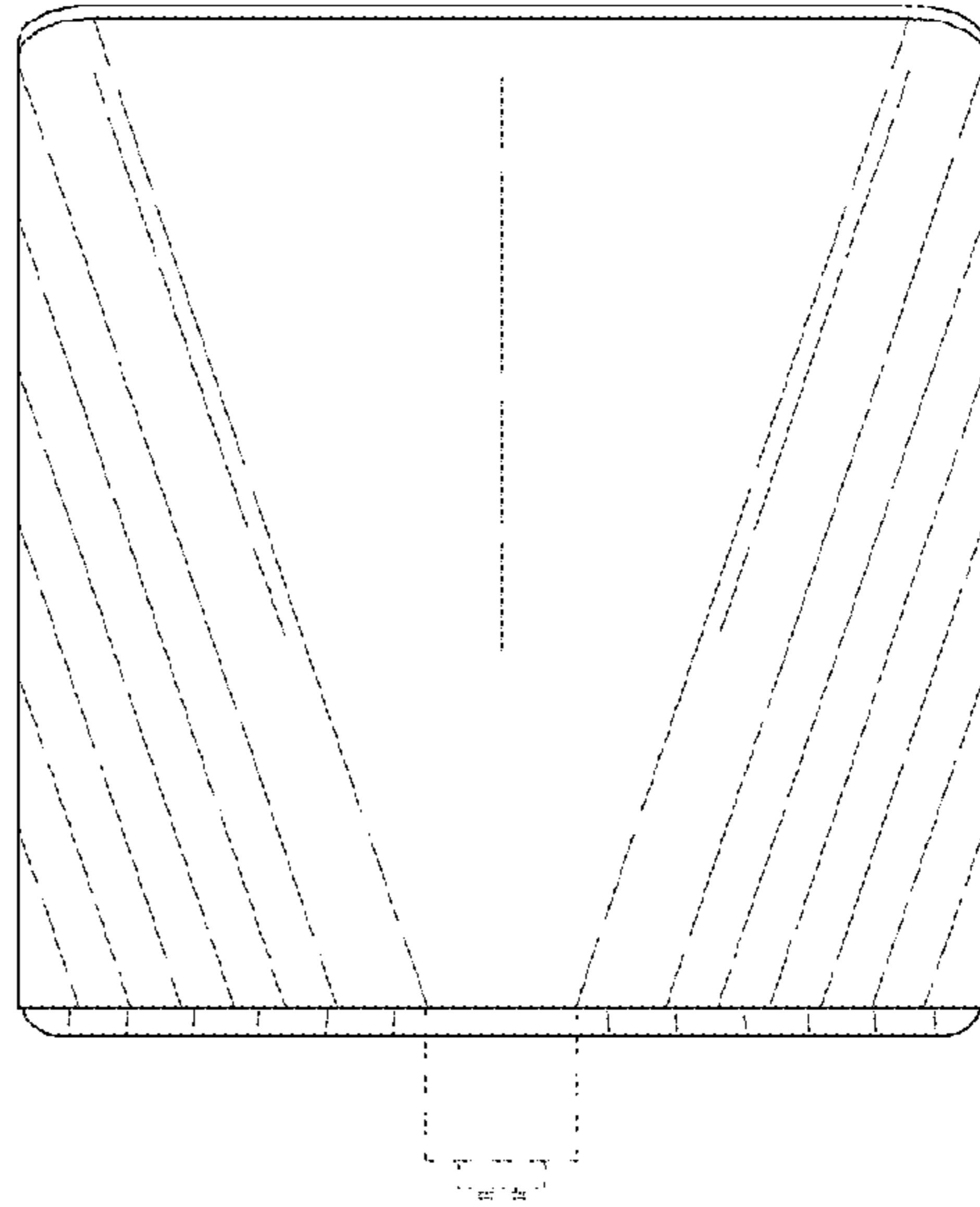


FIG. 43

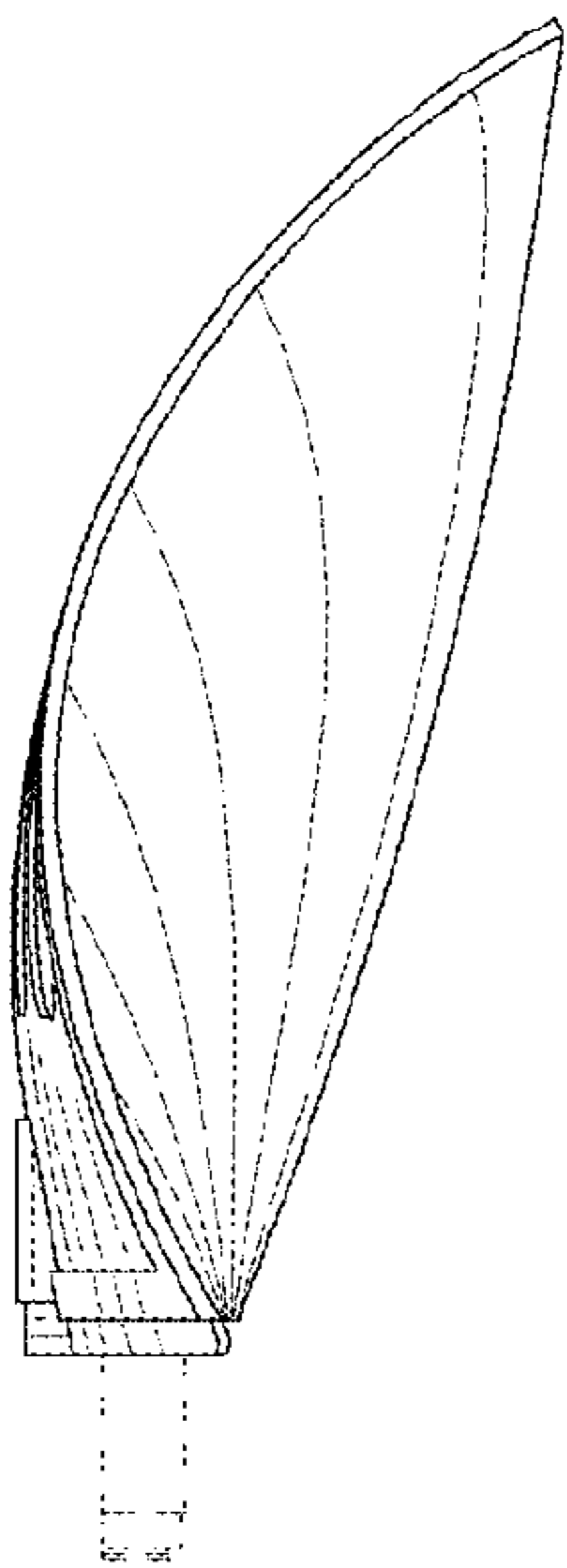


FIG. 42

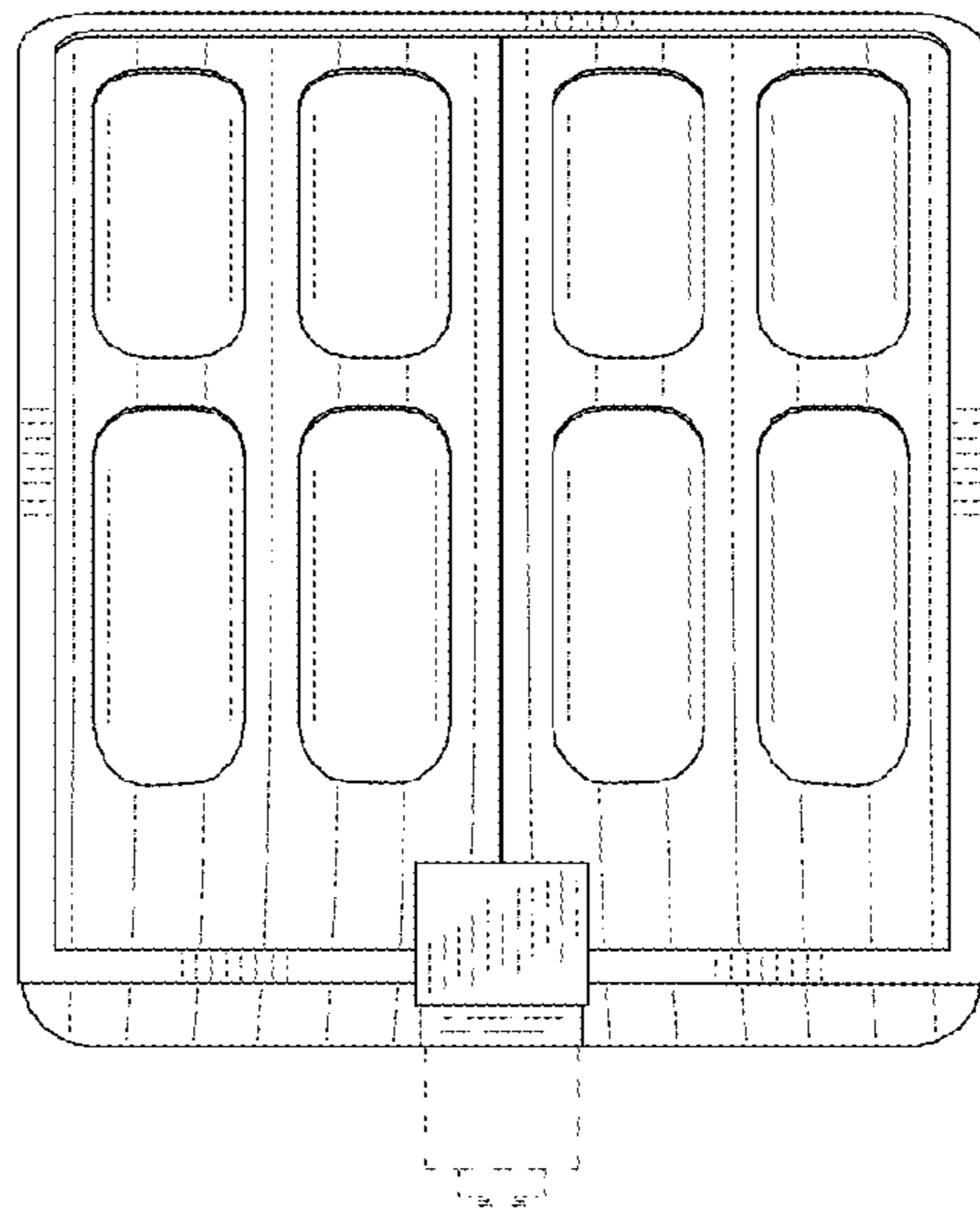


FIG. 44

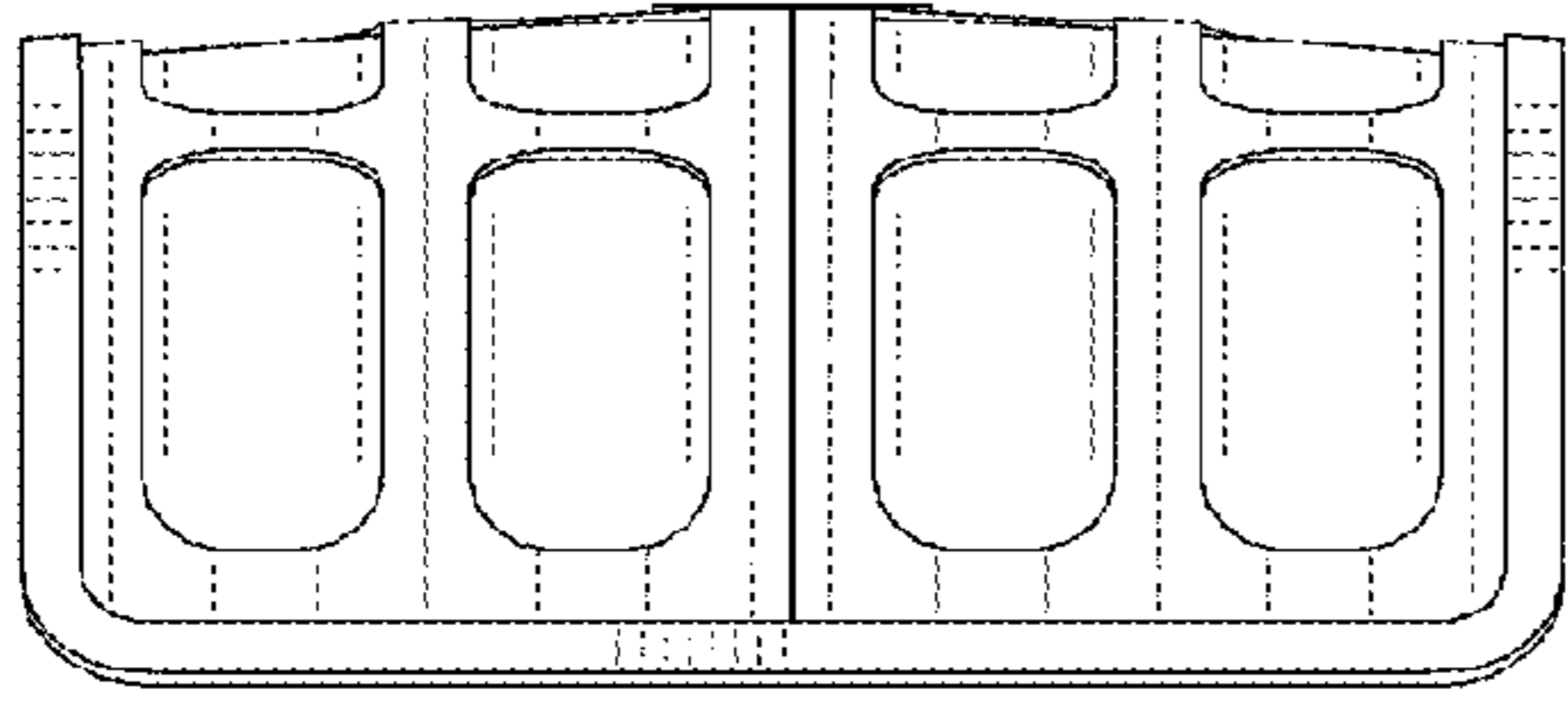


FIG. 45

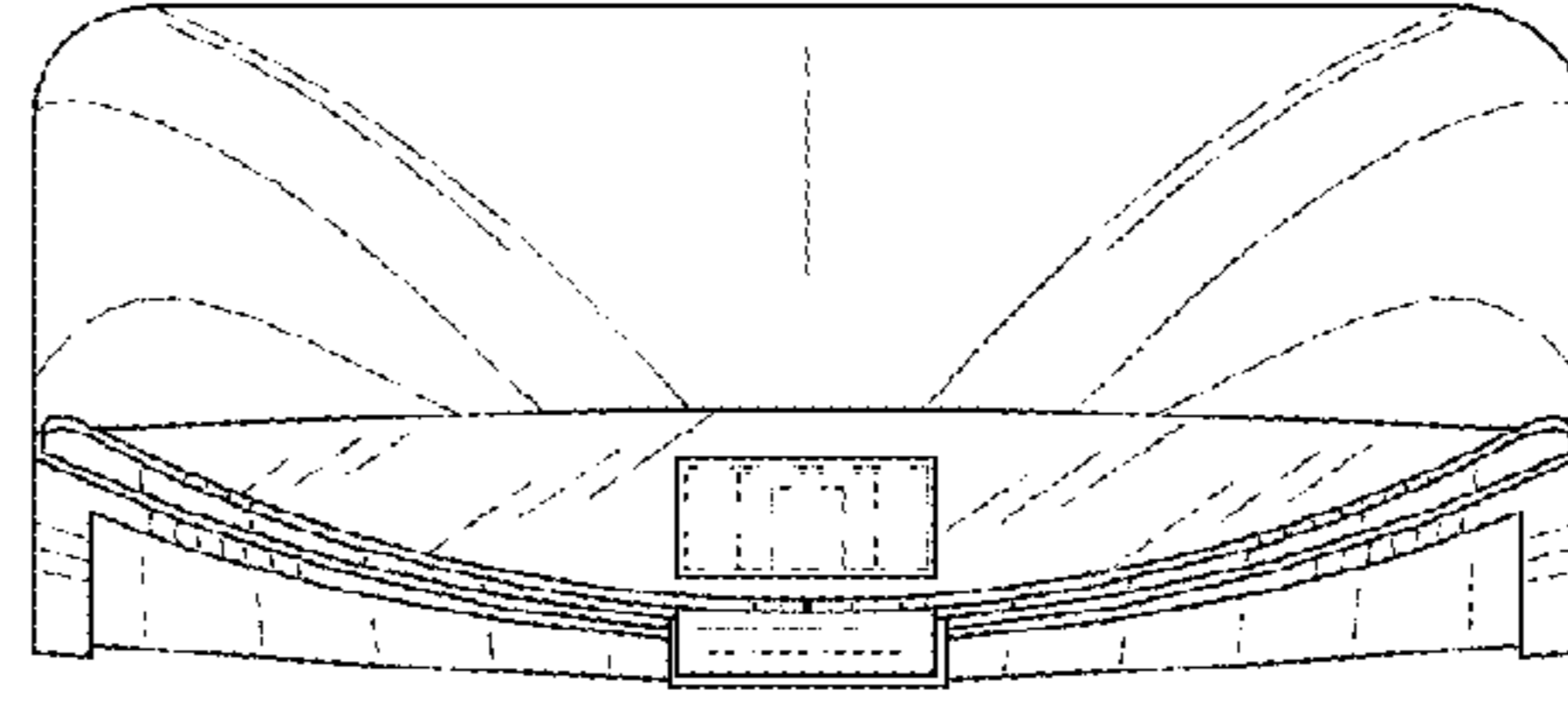


FIG. 46

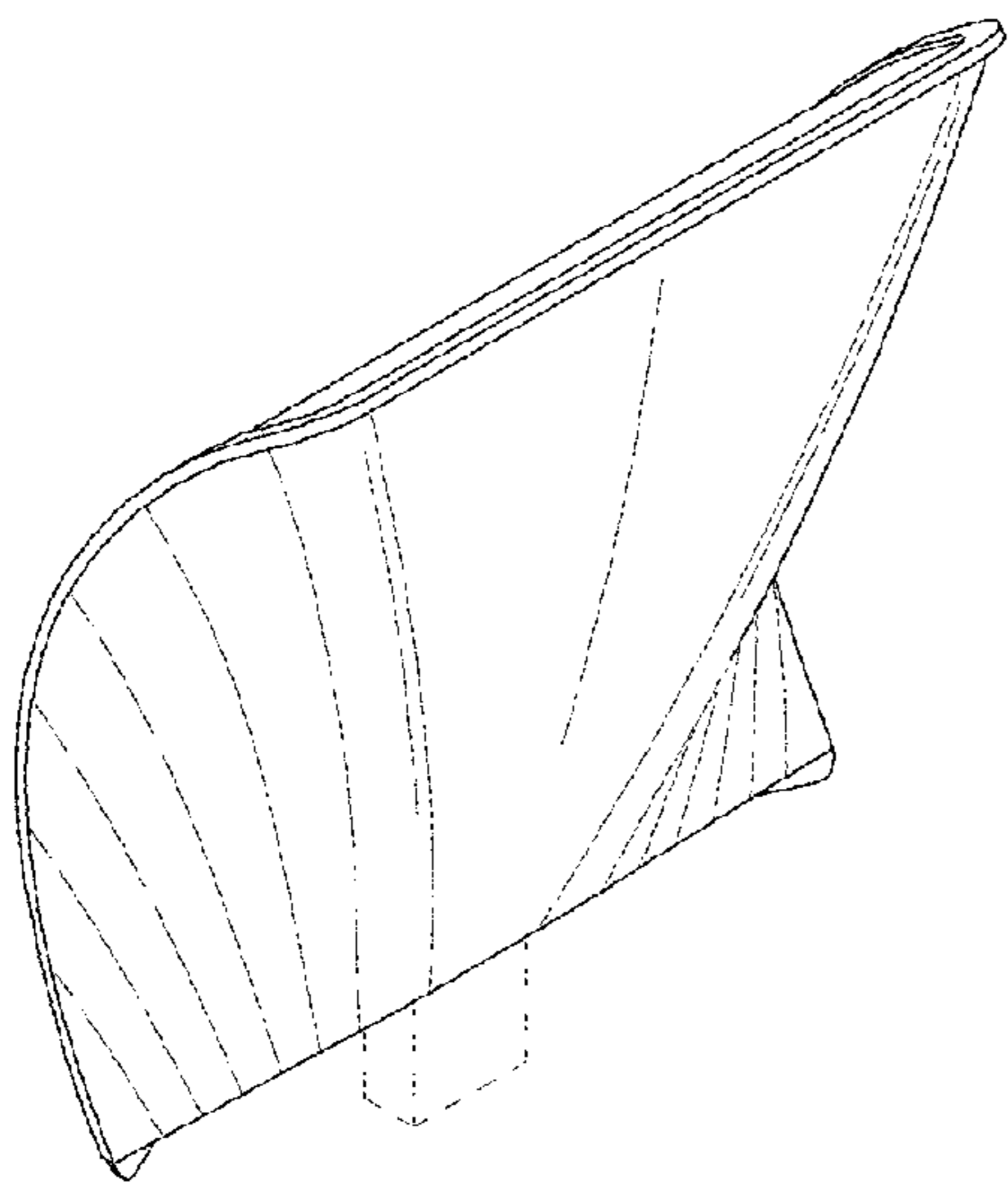


FIG. 47

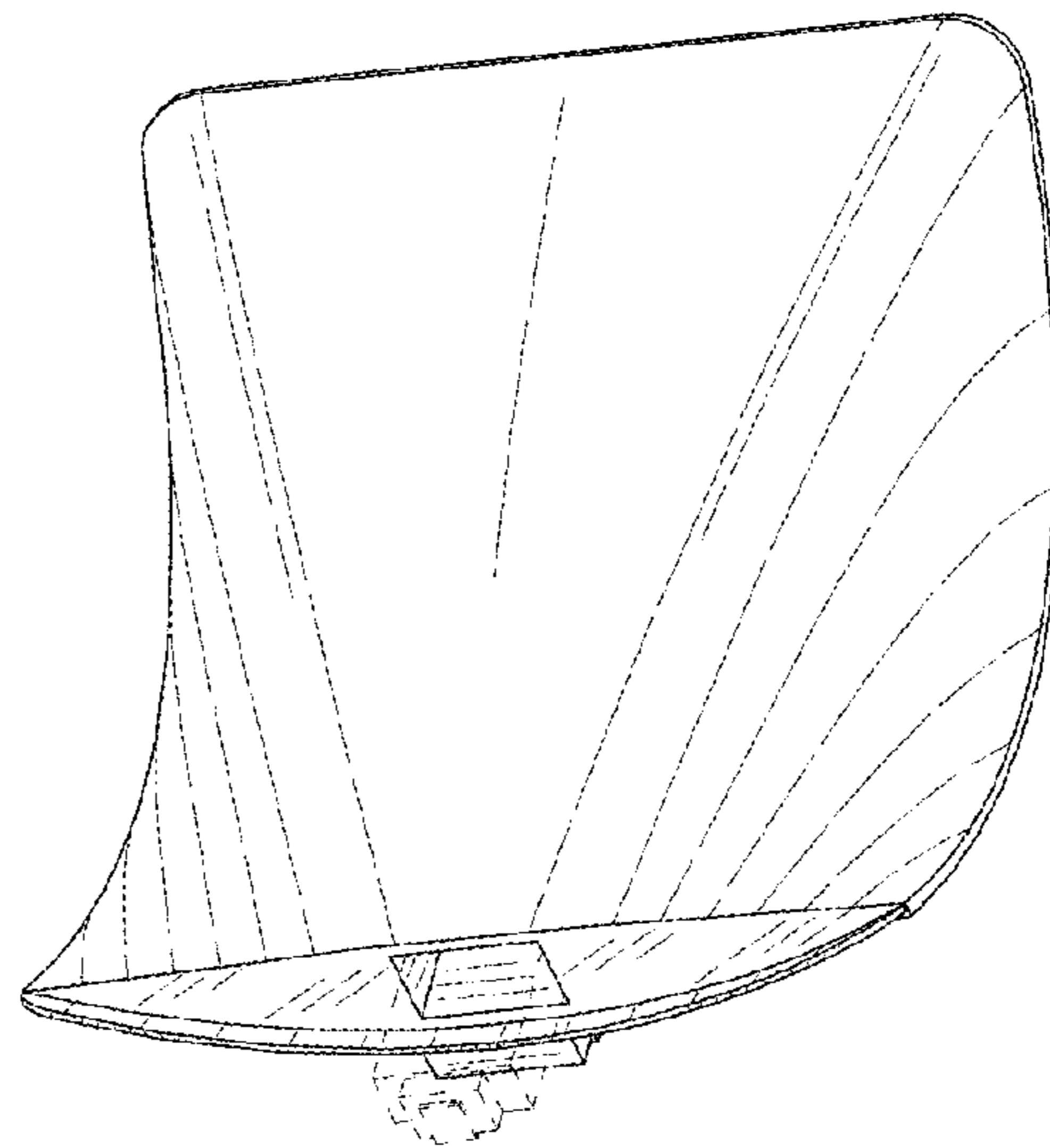


FIG. 48