

US00D699777S

(12) **United States Design Patent**
Li

(10) **Patent No.:** **US D699,777 S**
(45) **Date of Patent:** **** Feb. 18, 2014**

(54) **MECHANICAL CAMERA BODY (45SPS)**

OTHER PUBLICATIONS

(75) Inventor: **Chun Li**, Guangdong (CN)
(73) Assignee: **Shenzhen Fotoman Technology Development Co., Ltd.**, Guangdong (CN)

Fotoman china. Fotoman 45SPS demo. YouTube Videos. Aug. 30, 2012 [online], [retrieved on Mar. 8, 2013]. Retrieved from the Internet <URL: <http://www.youtube.com/watch?v=RULdl4aRyR4>>.*
Nick Devlin. Photokina 2012 Location Report. The Cutting Edge of Olde School. Sep. 20, 2012 [online], [retrieved on Mar. 8, 2013]. Retrieved from the Internet <URL: http://www.luminous-landscape.com/essays/photokina_2012.shtml>.*

(**) Term: **14 Years**
(21) Appl. No.: **29/418,328**
(22) Filed: **Apr. 16, 2012**

* cited by examiner

(30) **Foreign Application Priority Data**

Primary Examiner — Philip S Hyder
Assistant Examiner — Darlington Ly

Mar. 1, 2012 (CN) 2012 3 0044272

(51) **LOC (10) Cl.** **16-01**
(52) **U.S. Cl.**
USPC **D16/217; D16/200**

(57) **CLAIM**
The ornamental design for a mechanical camera body (45SPS), as shown and described.

(58) **Field of Classification Search**
USPC D16/200, 202, 204, 218; 348/373, 374, 348/375, 376; 358/909.1; 396/535-541
See application file for complete search history.

DESCRIPTION

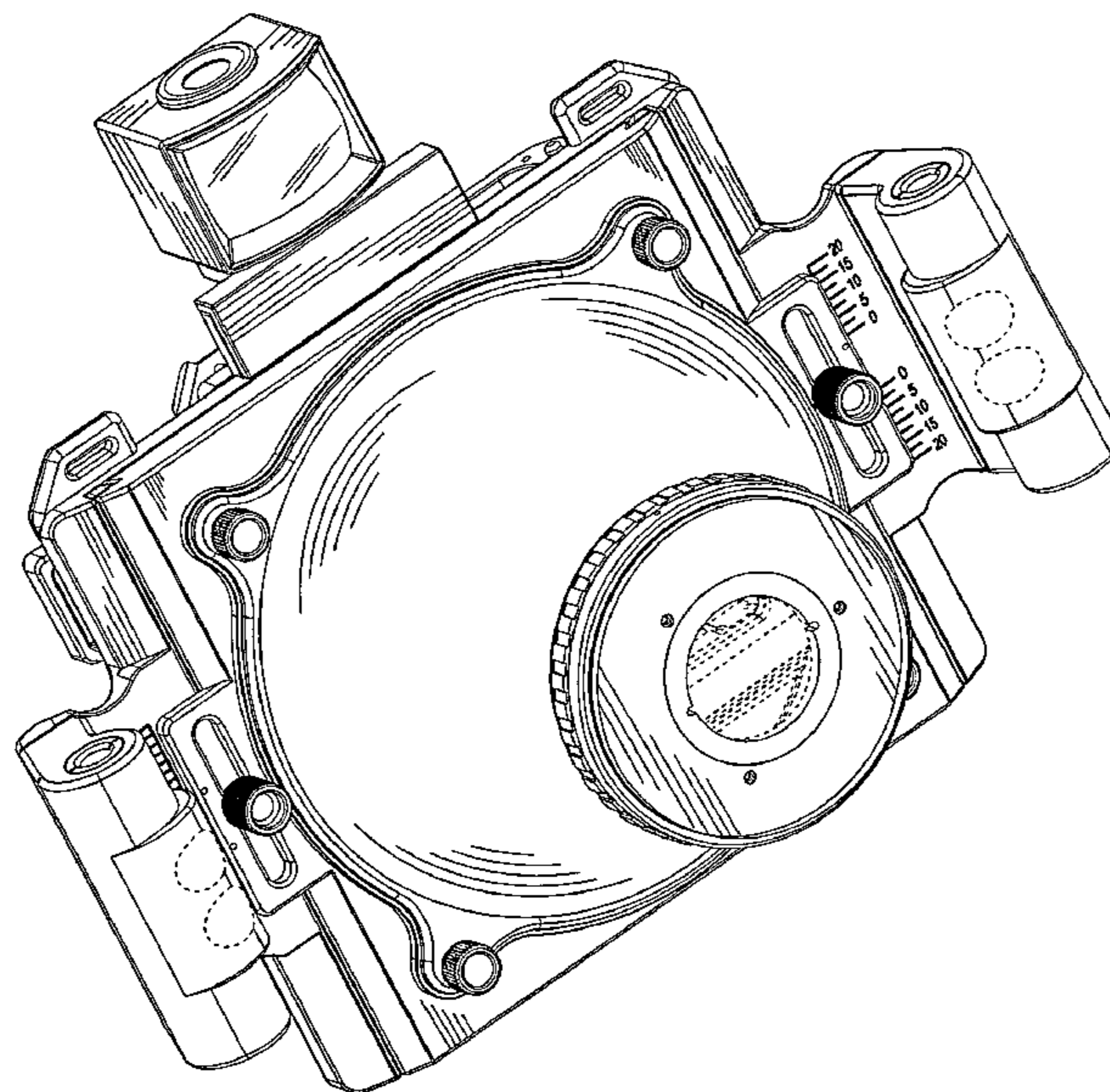
(56) **References Cited**

FIG. 1 is a front elevational view of a mechanical camera body (45SPS) showing my new design; FIG. 2 is a rear elevational view thereof; FIG. 3 is a left side elevational view thereof; FIG. 4 is a right side elevational view thereof; FIG. 5 is a top plan view thereof; FIG. 6 is a bottom plan view thereof; FIG. 7 is a front-left side perspective view thereof, wherein the camera lens shutter is partially open; and, FIG. 8 is a front-right side perspective view, wherein the camera lens shutter is fully open and rear panel is slid down. The broken lines shown in the drawings illustrate portions of the mechanical camera body (45SPS) that forms no part of claimed design.

U.S. PATENT DOCUMENTS

D169,343 S *	4/1953	Simmon	D16/218
D352,517 S *	11/1994	Sugiyama	D16/202
D382,578 S *	8/1997	Cieslikowski	D16/200
D432,153 S *	10/2000	Cooper et al.	D16/237
D444,161 S *	6/2001	Nakamura	D16/202
D446,235 S *	8/2001	Morishita et al.	D16/217
D450,733 S *	11/2001	Shinano	D16/202
D542,824 S *	5/2007	Haga	D16/217
D586,376 S *	2/2009	Kurfiss et al.	D16/218
D598,038 S *	8/2009	Takahashi	D16/217
D616,008 S *	5/2010	Enervold	D16/218
2009/0295940 A1 *	12/2009	Shibuno	348/226.1
2012/0200765 A1 *	8/2012	Honjo et al.	348/349

1 Claim, 8 Drawing Sheets



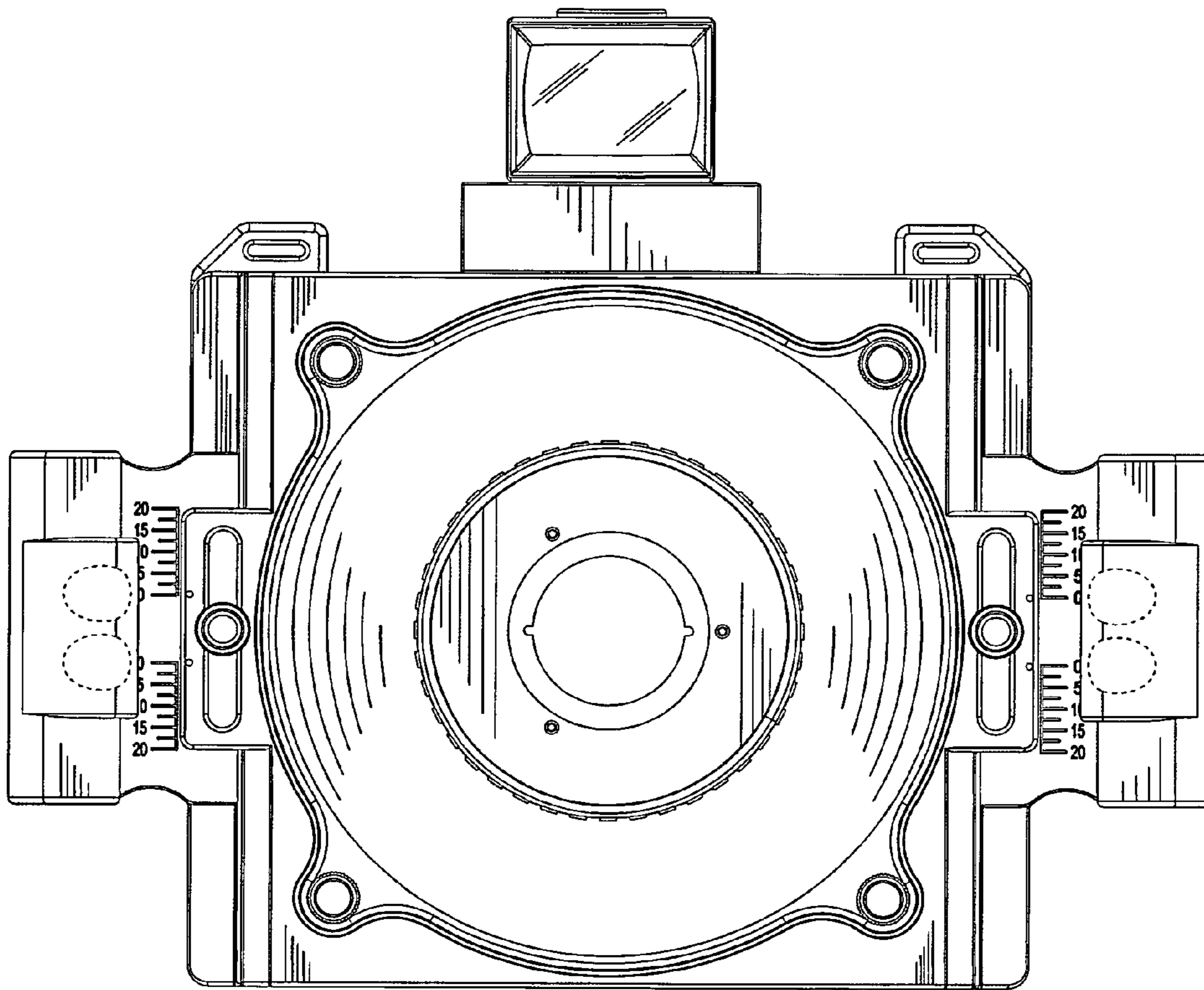


FIG. 1

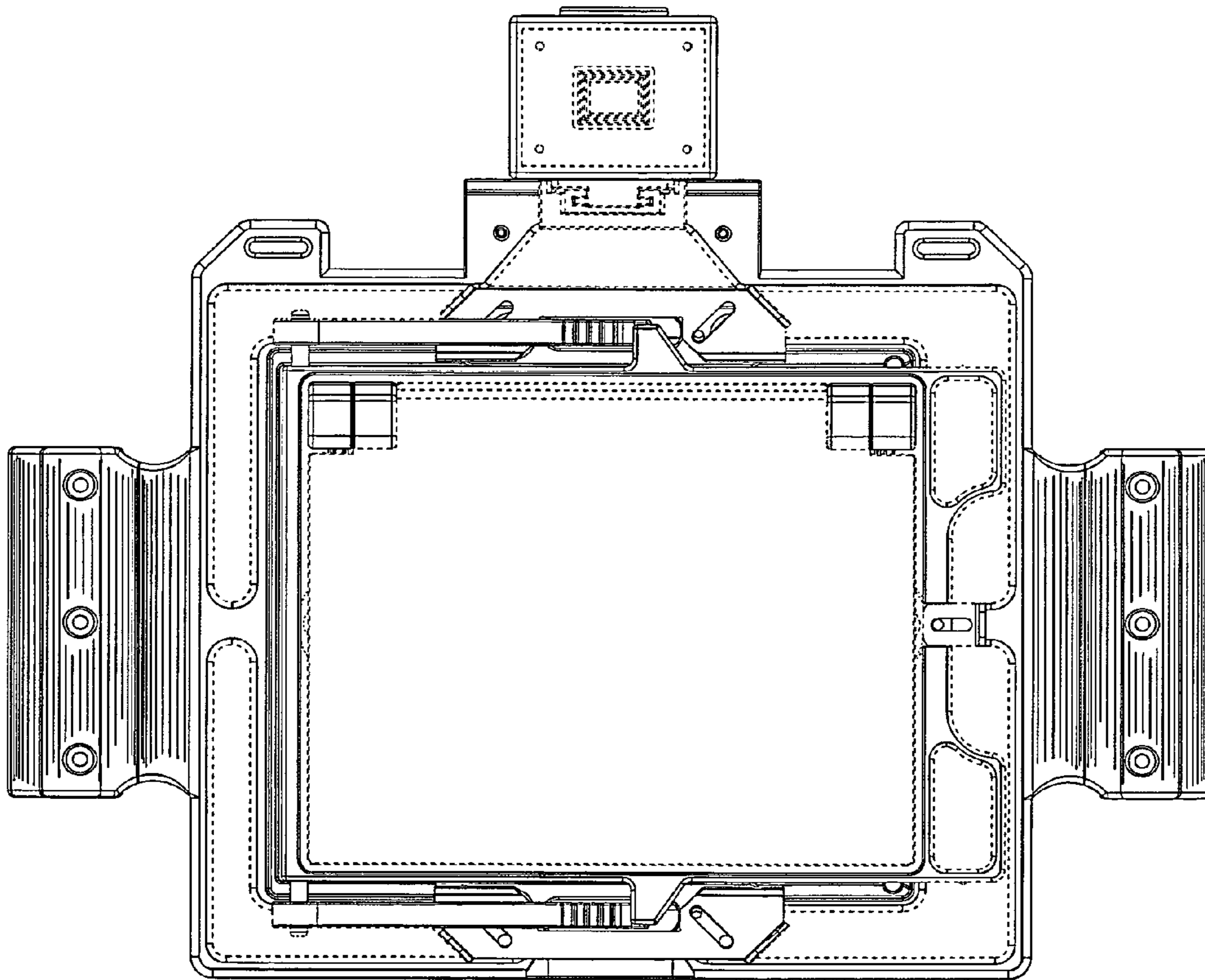


FIG. 2

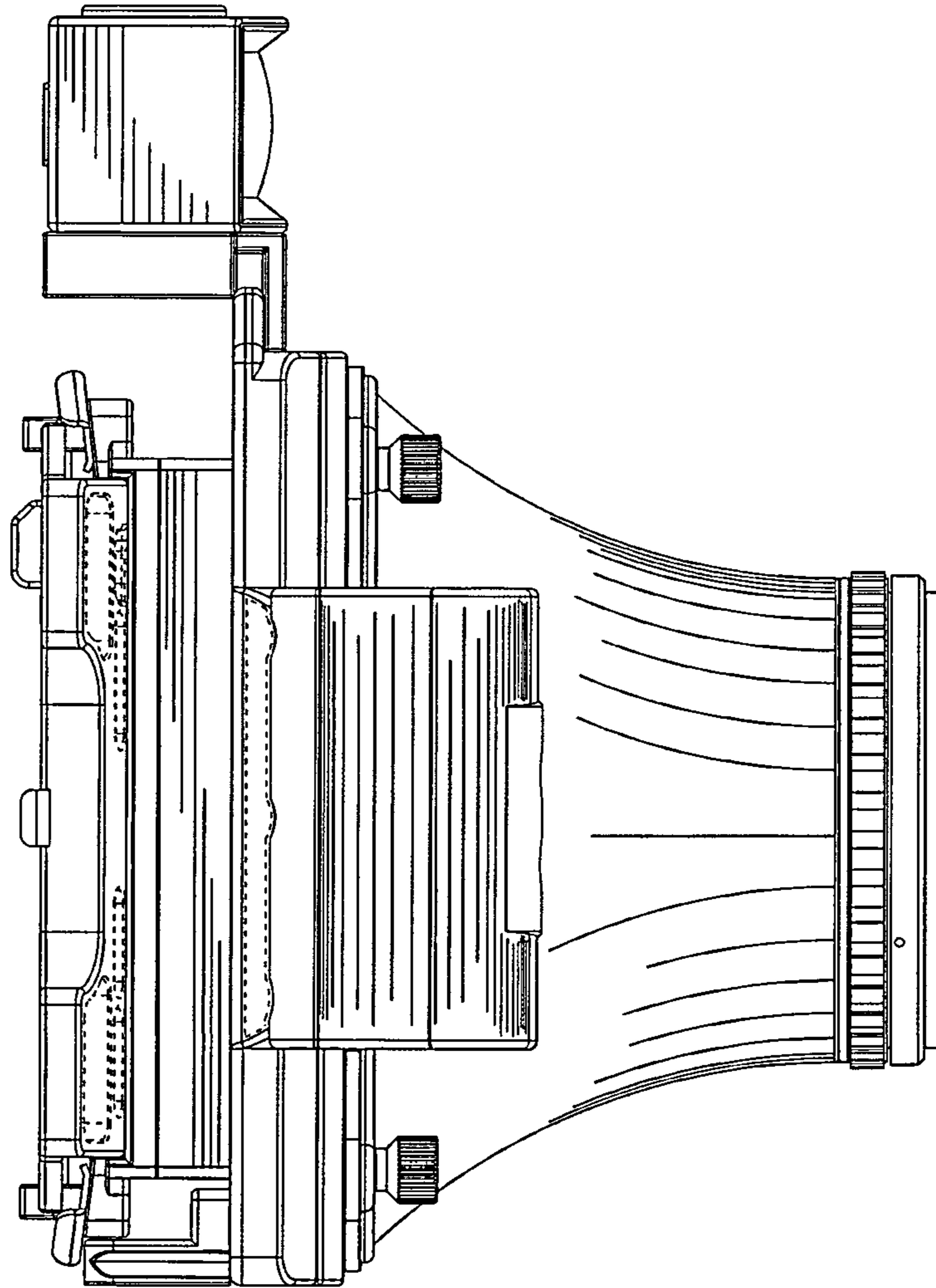


FIG. 3

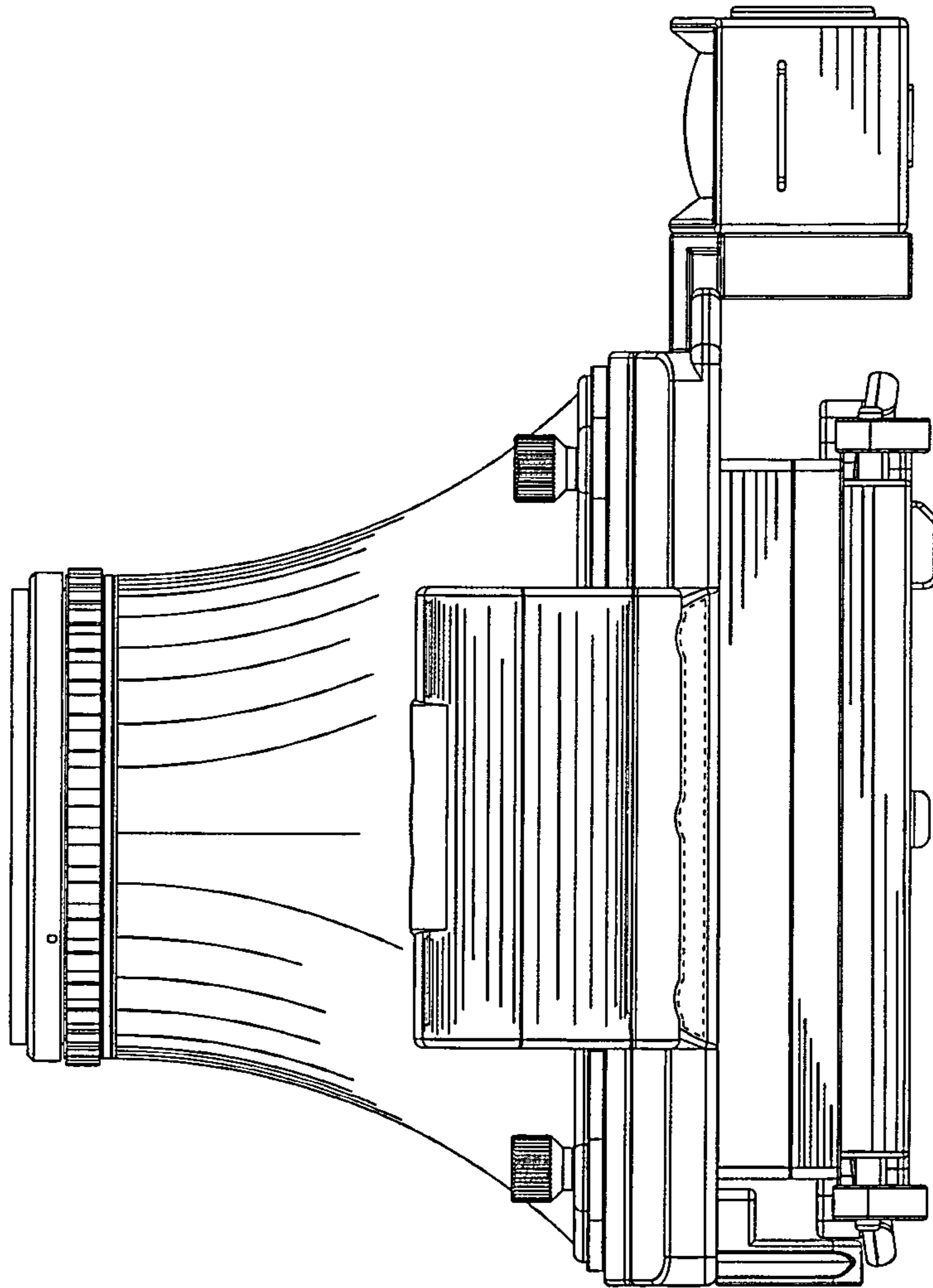


FIG. 4

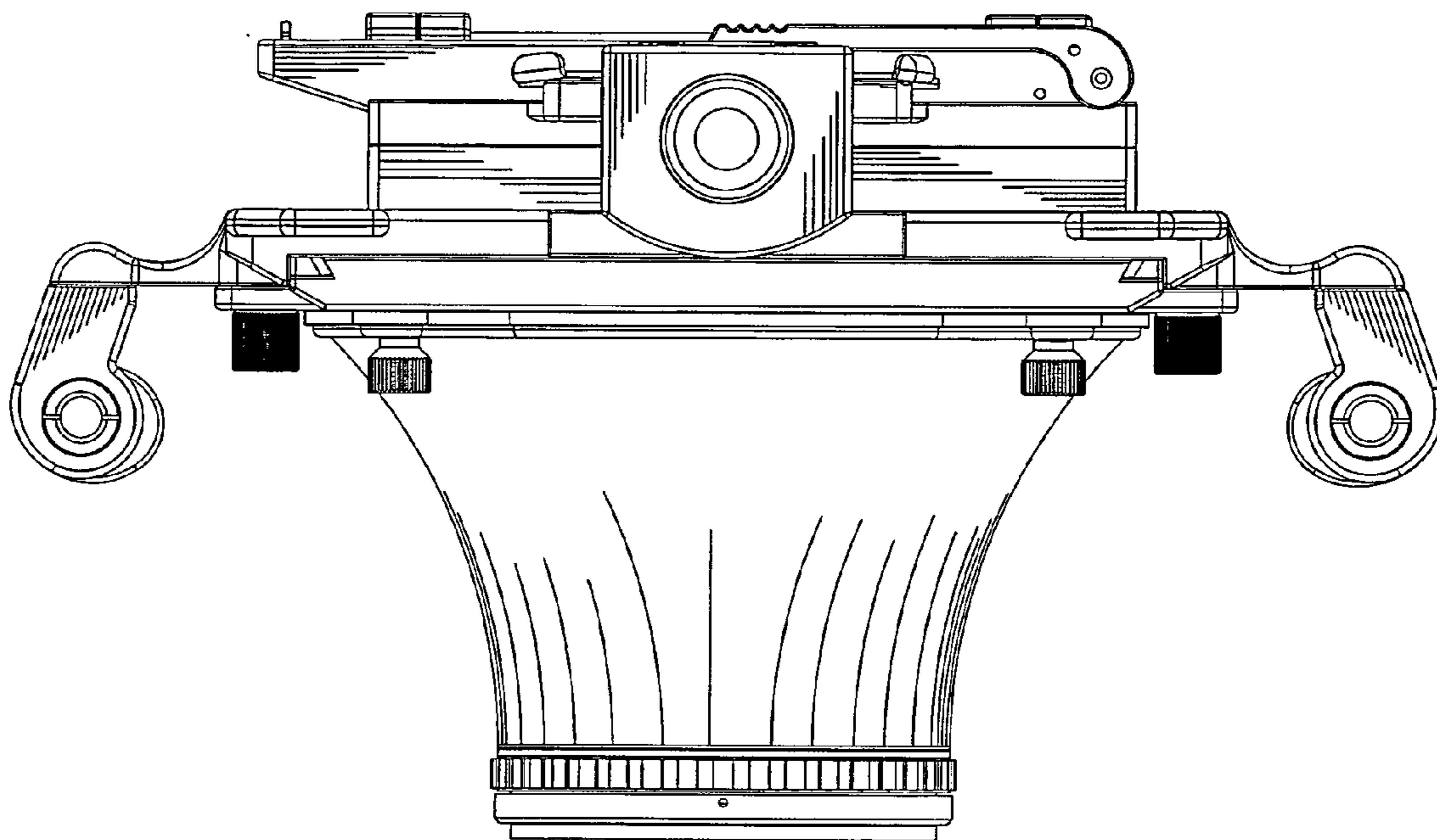


FIG. 5

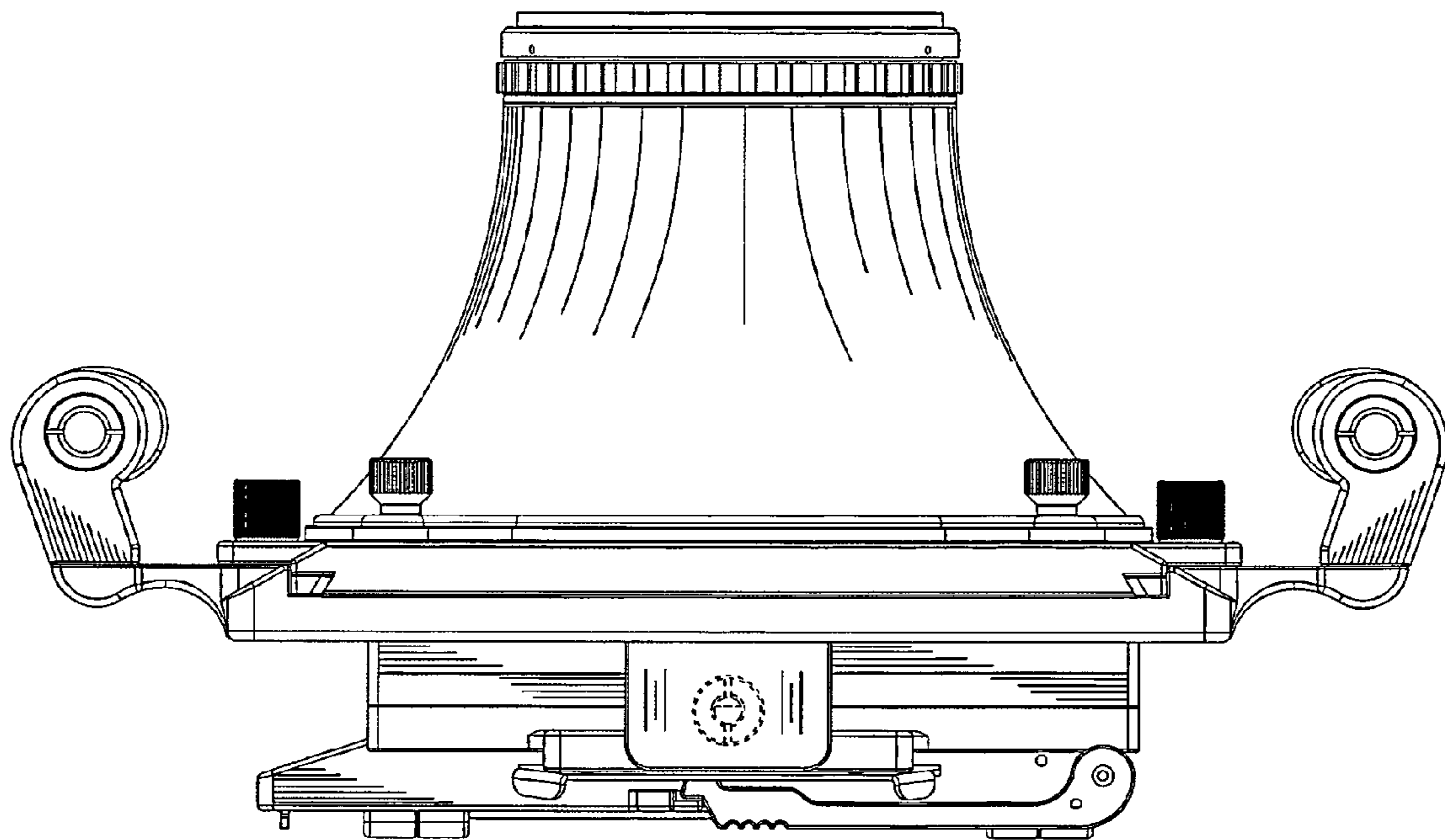


FIG. 6

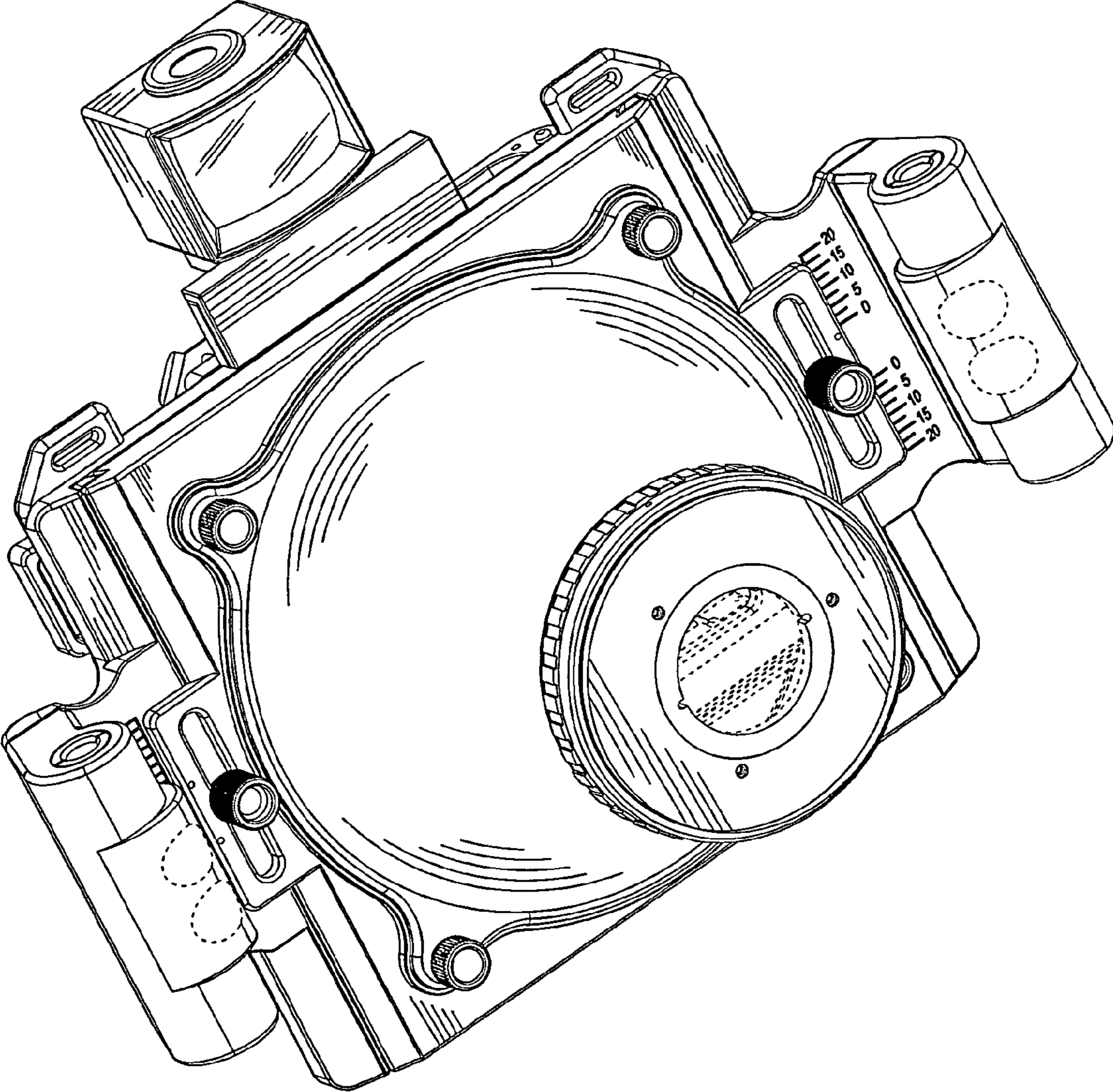


FIG. 7

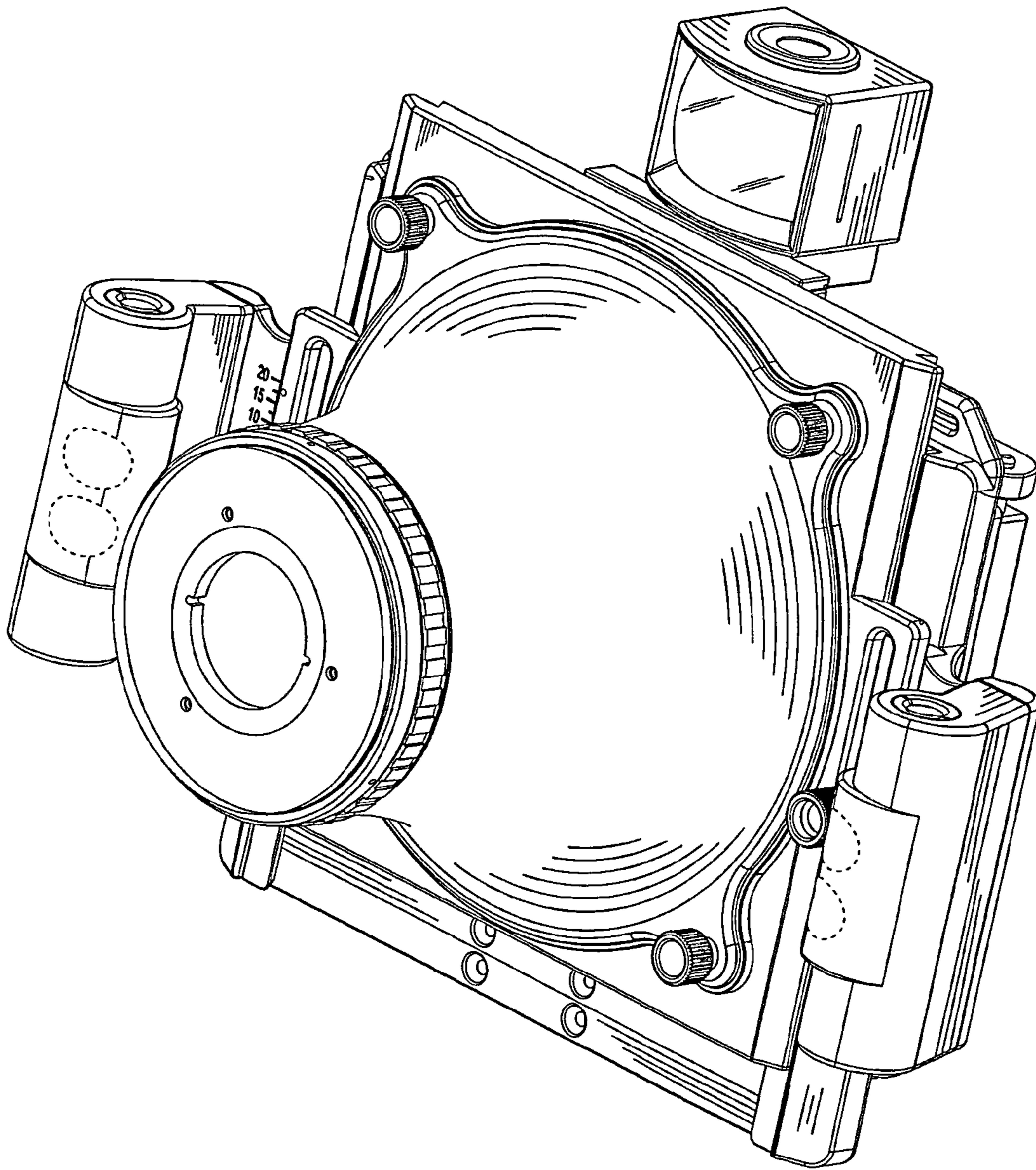


FIG. 8