

US00D699775S

(12) **United States Design Patent**  
**Li**

(10) **Patent No.:** **US D699,775 S**

(45) **Date of Patent:** **\*\* Feb. 18, 2014**

(54) **MECHANICAL CAMERA BODY(DMINI)**

D616,008 S \* 5/2010 Enervold ..... D16/218  
2009/0295940 A1\* 12/2009 Shibuno ..... 348/226.1  
2012/0200765 A1\* 8/2012 Honjo et al. .... 348/349

(75) Inventor: **Chun Li**, Guangdong (CN)

(73) Assignee: **Shenzhen Fotoman Technology Development Co., Ltd.**, Guangdong (CN)

(\*\*) Term: **14 Years**

(21) Appl. No.: **29/418,325**

(22) Filed: **Apr. 16, 2012**

(30) **Foreign Application Priority Data**

Feb. 15, 2012 (CN) ..... 2012 3 0029470

(51) **LOC (10) Cl.** ..... **16-01**

(52) **U.S. Cl.**  
USPC ..... **D16/217; D16/200**

(58) **Field of Classification Search**  
USPC ..... D16/200, 202, 204, 218; 348/373, 374,  
348/375, 376; 358/909.1; 396/535-541  
See application file for complete search history.

(56) **References Cited**

**U.S. PATENT DOCUMENTS**

D169,343 S \* 4/1953 Simmon ..... D16/218  
D352,517 S \* 11/1994 Sugiyama ..... D16/202  
D382,578 S \* 8/1997 Cieslikowski ..... D16/200  
D432,153 S \* 10/2000 Cooper et al. .... D16/237  
D444,161 S \* 6/2001 Nakamura ..... D16/202  
D446,235 S \* 8/2001 Morishita et al. .... D16/217  
D450,733 S \* 11/2001 Shinano ..... D16/202  
D542,824 S \* 5/2007 Haga ..... D16/217  
D586,376 S \* 2/2009 Kurfiss et al. .... D16/218  
D598,038 S \* 8/2009 Takahashi ..... D16/217

**OTHER PUBLICATIONS**

Fotoman china. Fotoman 45SPS demo. YouTube Videos. Aug. 30, 2012 [online], [retrieved on Mar. 8, 2013]. Retrieved from the Internet <URL: <http://www.youtube.com/watch?v=RULdl4aRyR4>>.\*

Nick Devlin. Photokina 2012 Location Report. The Cutting Edge of Olde School. Sep. 20, 2012 [online], [retrieved on Mar. 8, 2013]. Retrieved from the Internet <URL: [http://www.luminous-landscape.com/essays/photokina\\_2012.shtml](http://www.luminous-landscape.com/essays/photokina_2012.shtml)>.\*

\* cited by examiner

*Primary Examiner* — Philip S Hyder

*Assistant Examiner* — Darlington Ly

(57) **CLAIM**

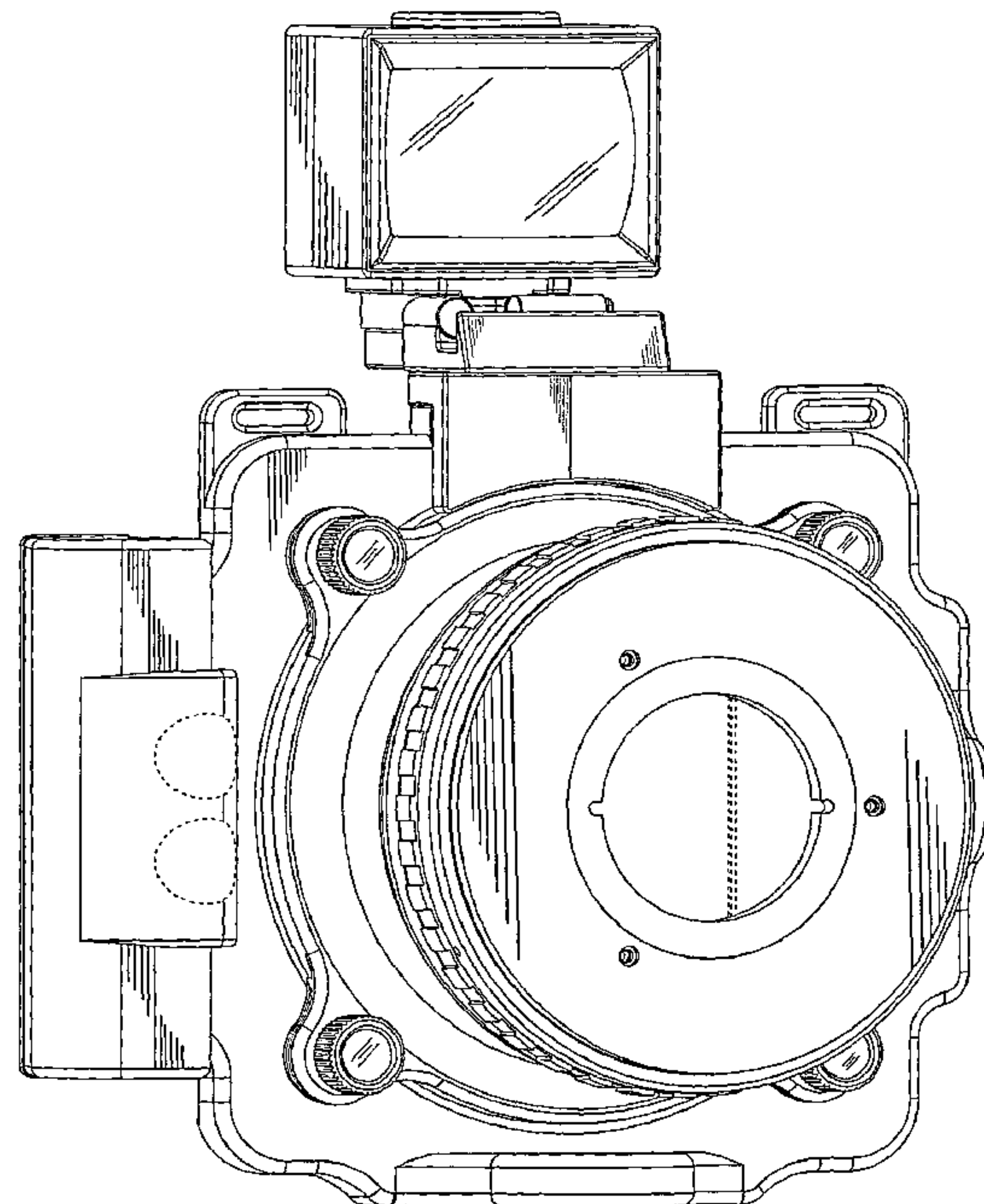
The ornamental design for a mechanical camera body (Dmini), as shown and described.

**DESCRIPTION**

FIG. 1 is a front elevational view of a mechanical camera body (Dmini) showing my new design; FIG. 2 is a rear elevational view thereof; FIG. 3 is a left side elevational view thereof; FIG. 4 is a right side elevational view thereof; FIG. 5 is a top plan view thereof; FIG. 6 is a bottom plan view thereof; and, FIG. 7 is a perspective view thereof.

The broken lines shown in the drawings illustrate portions of the mechanical camera body (Dmini) that forms no part of claimed design.

**1 Claim, 7 Drawing Sheets**



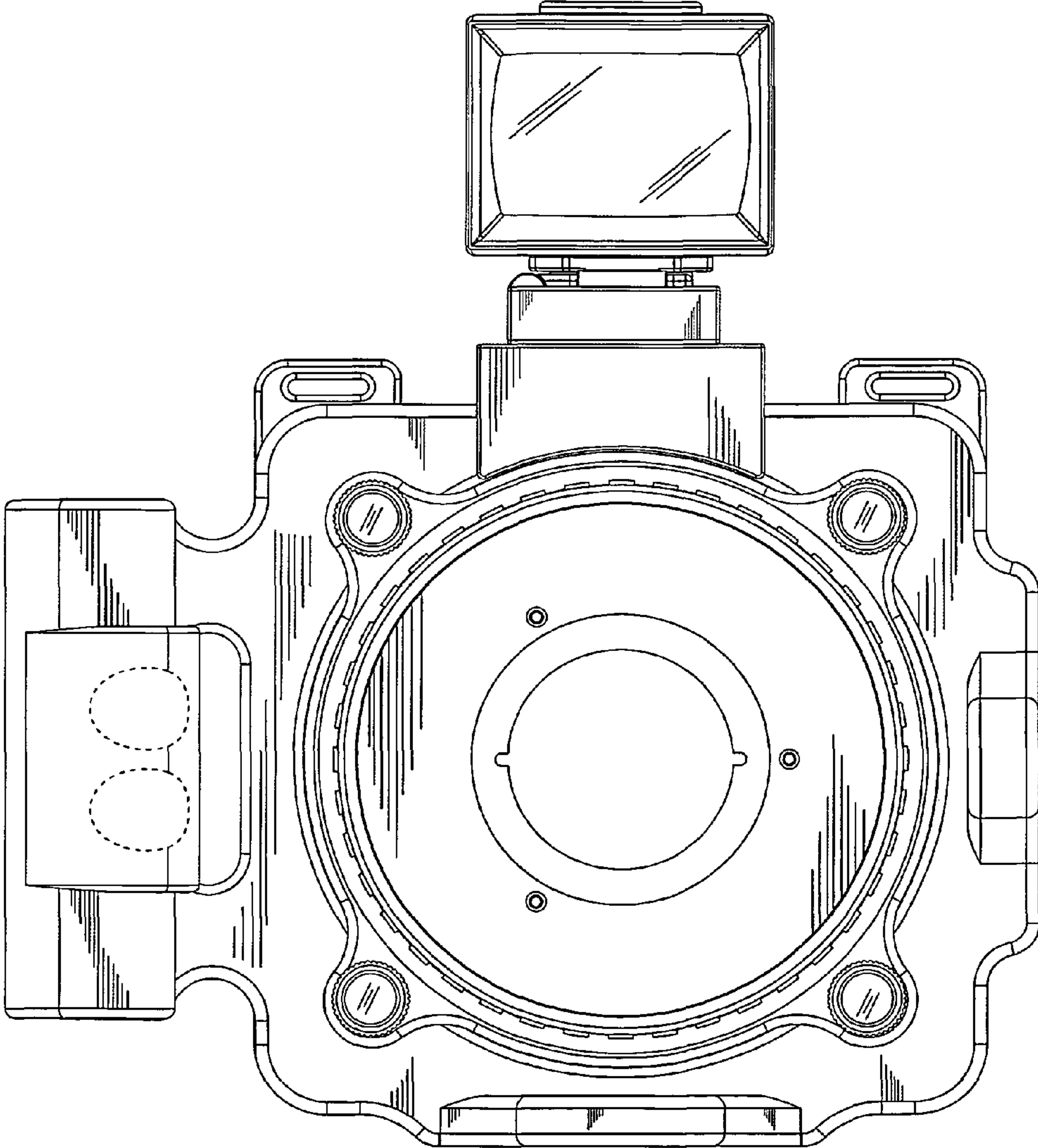


FIG. 1

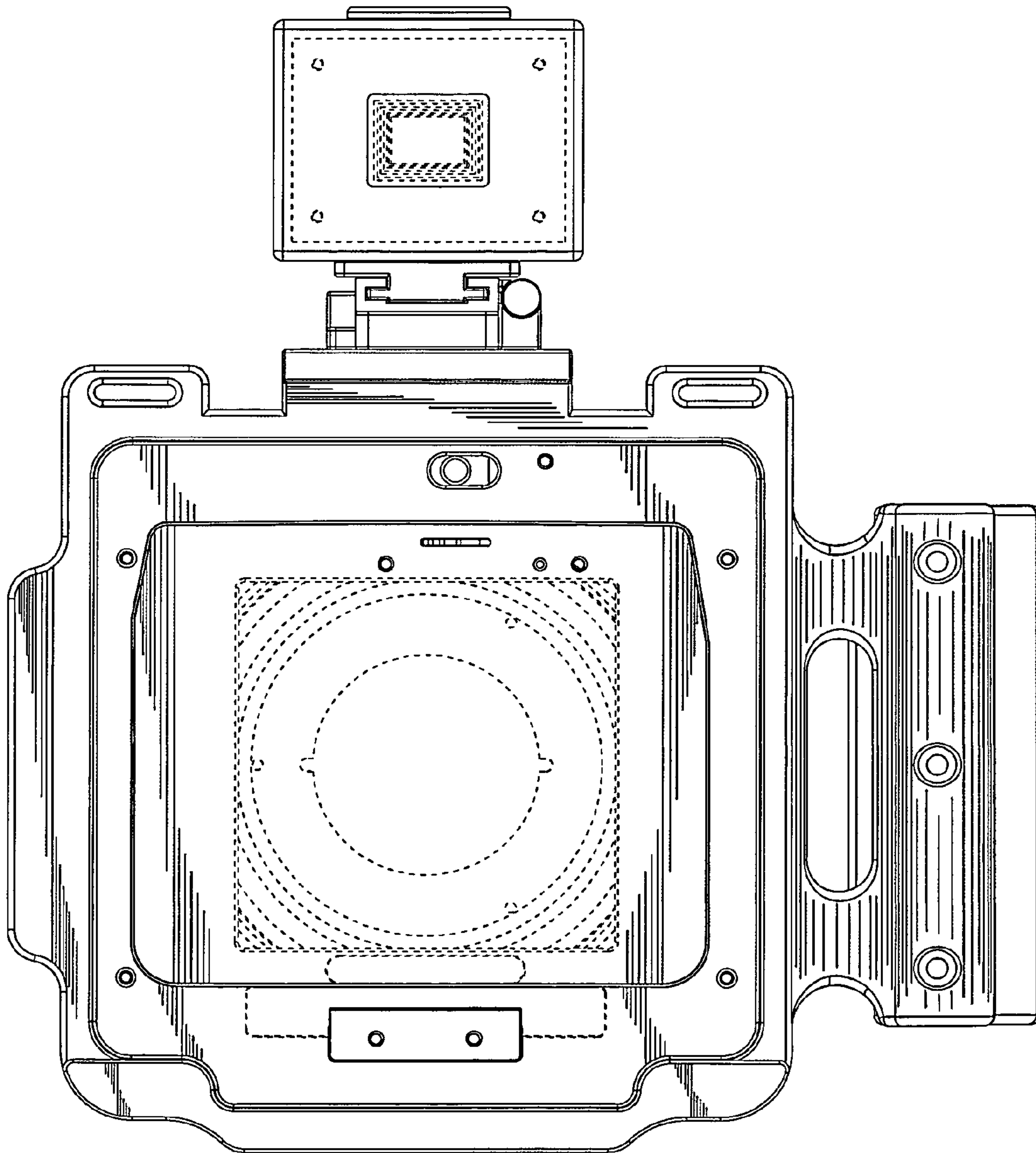


FIG. 2

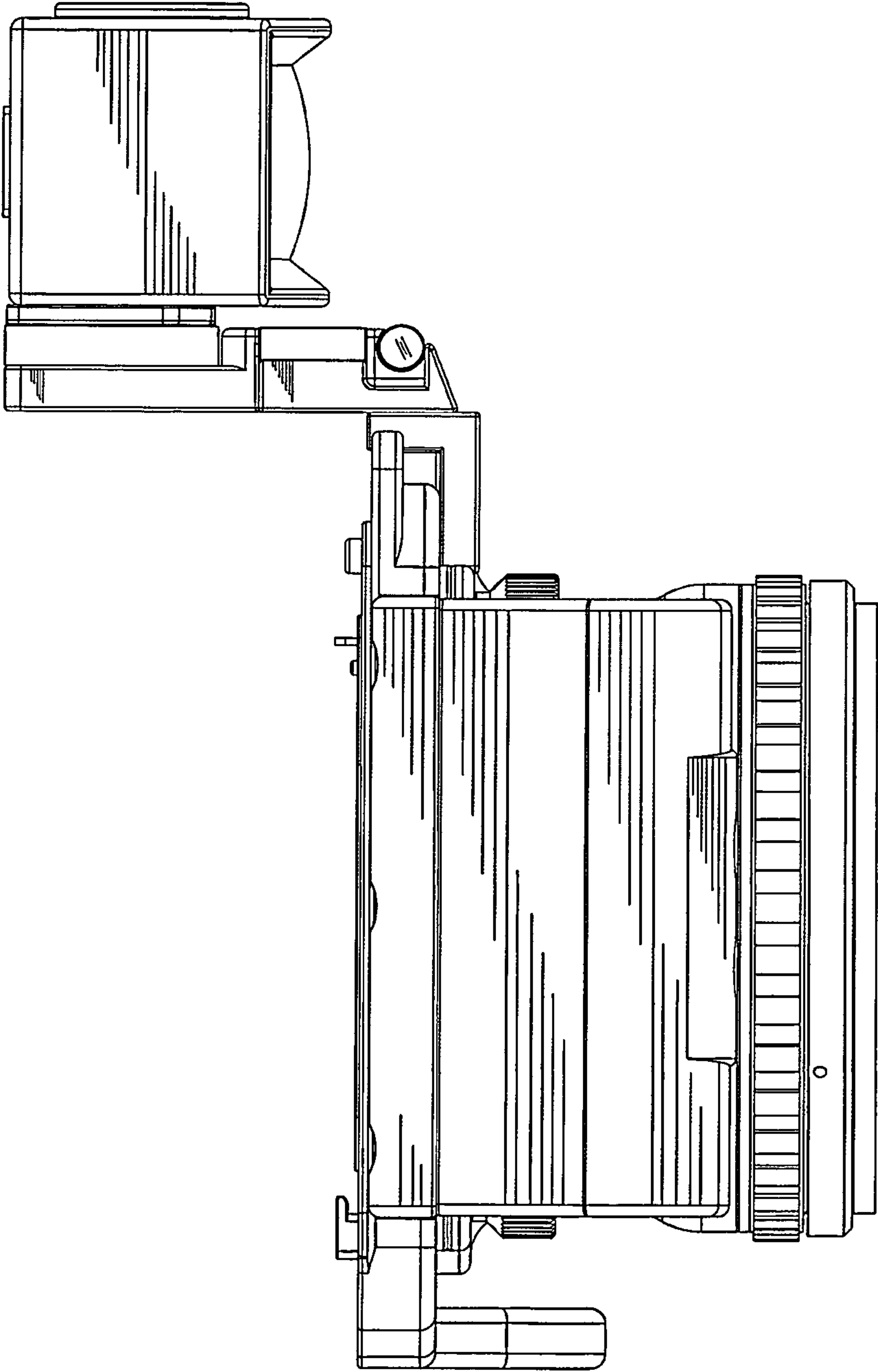


FIG. 3

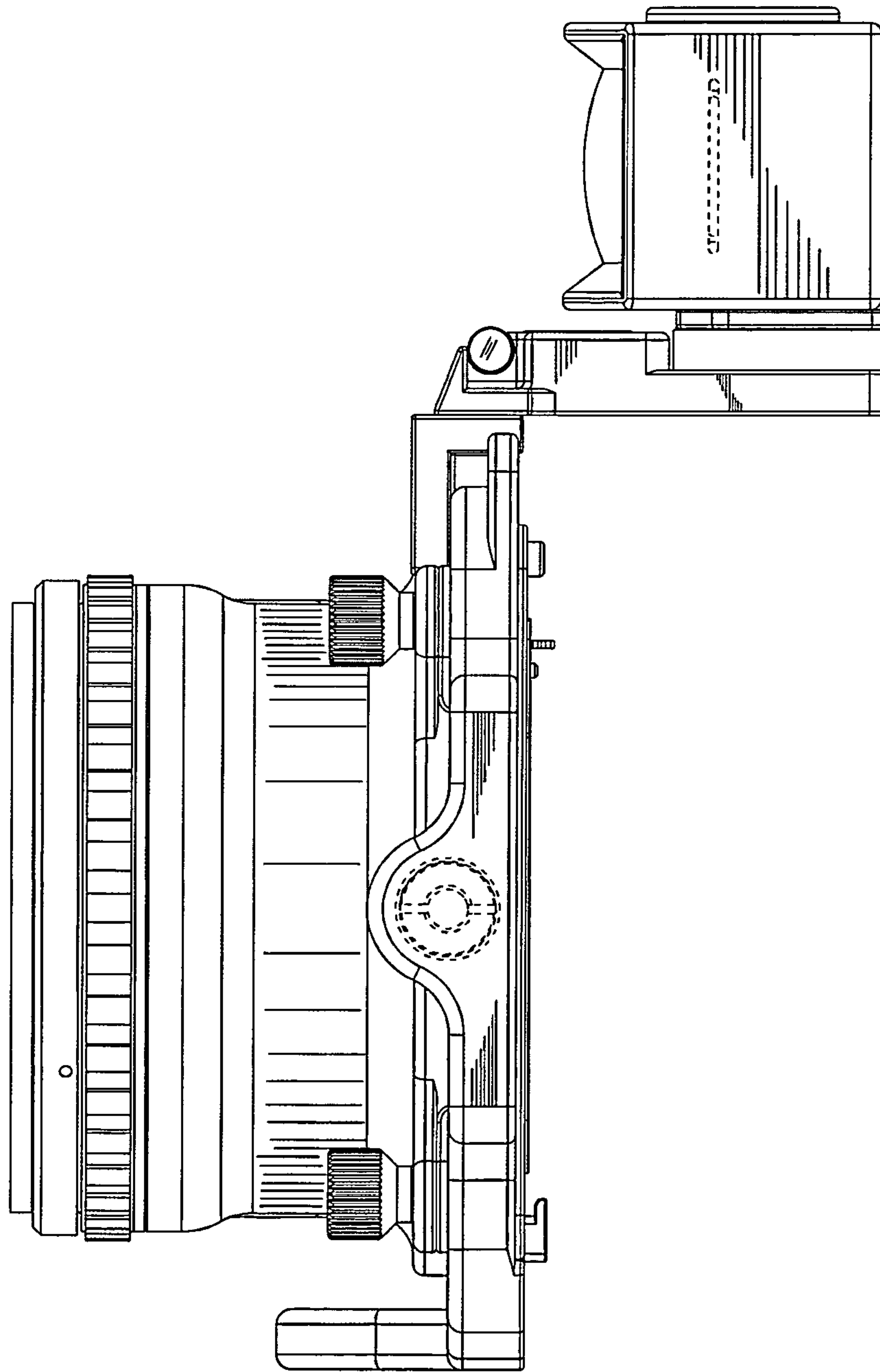


FIG. 4



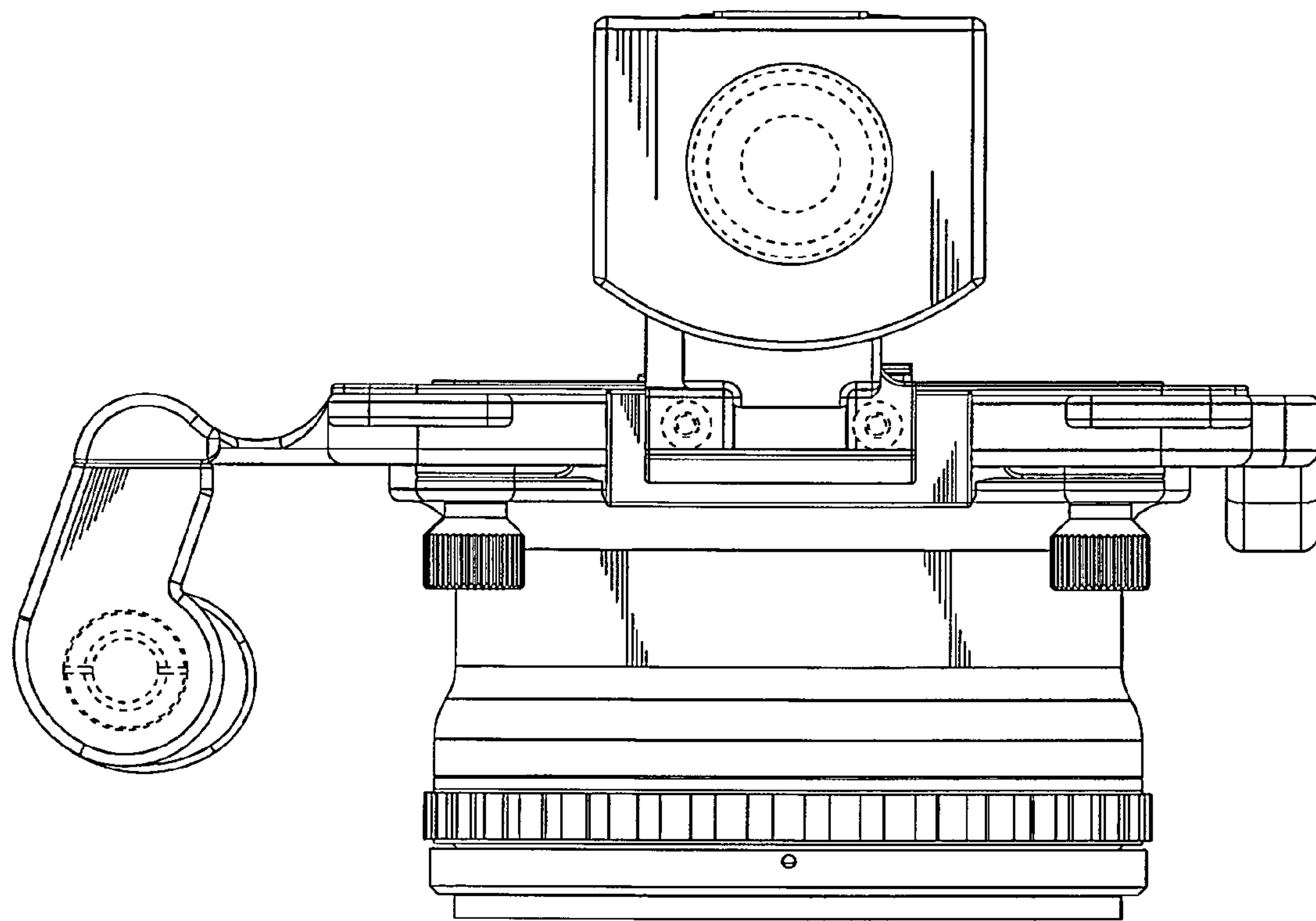


FIG. 5

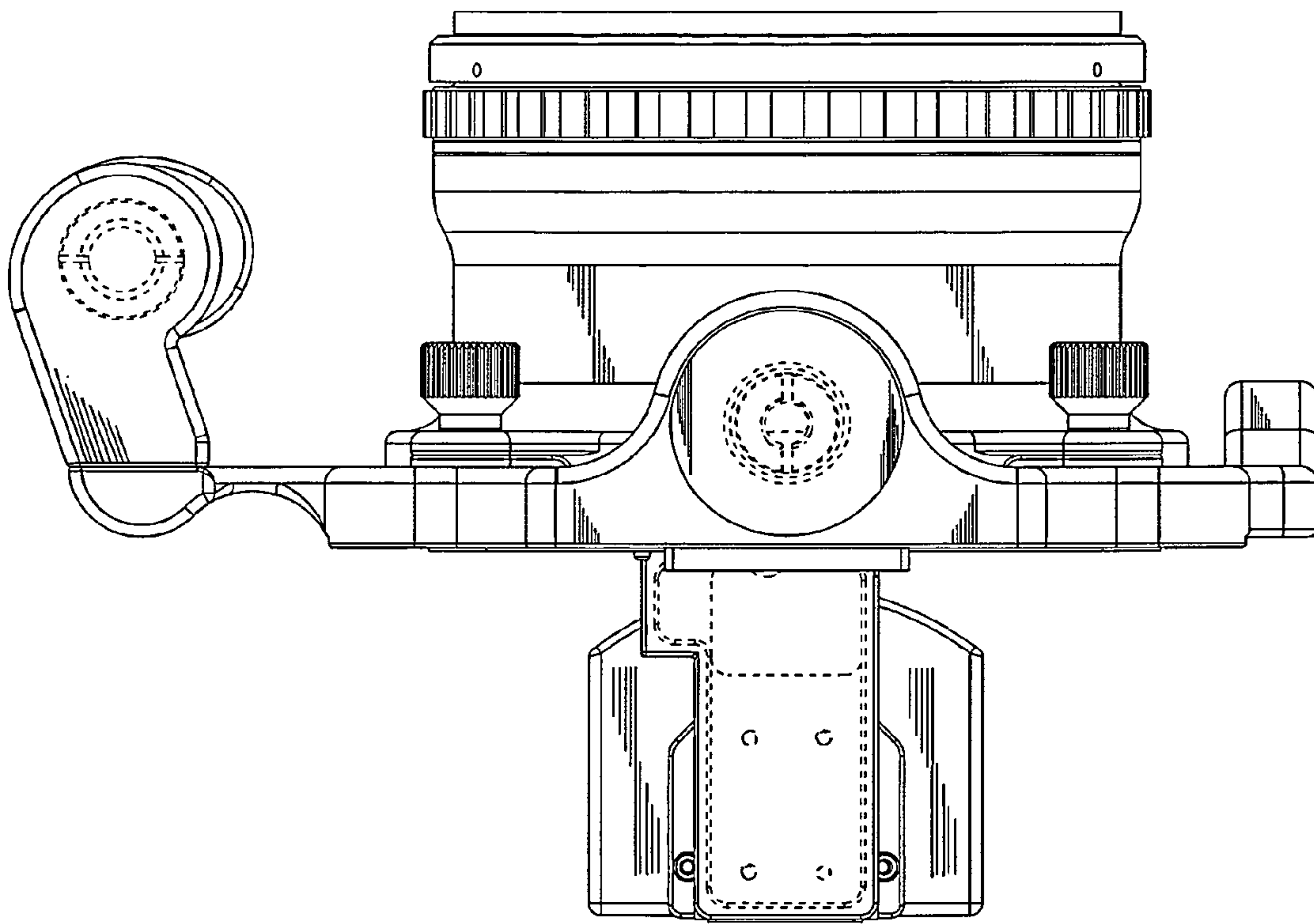


FIG. 6

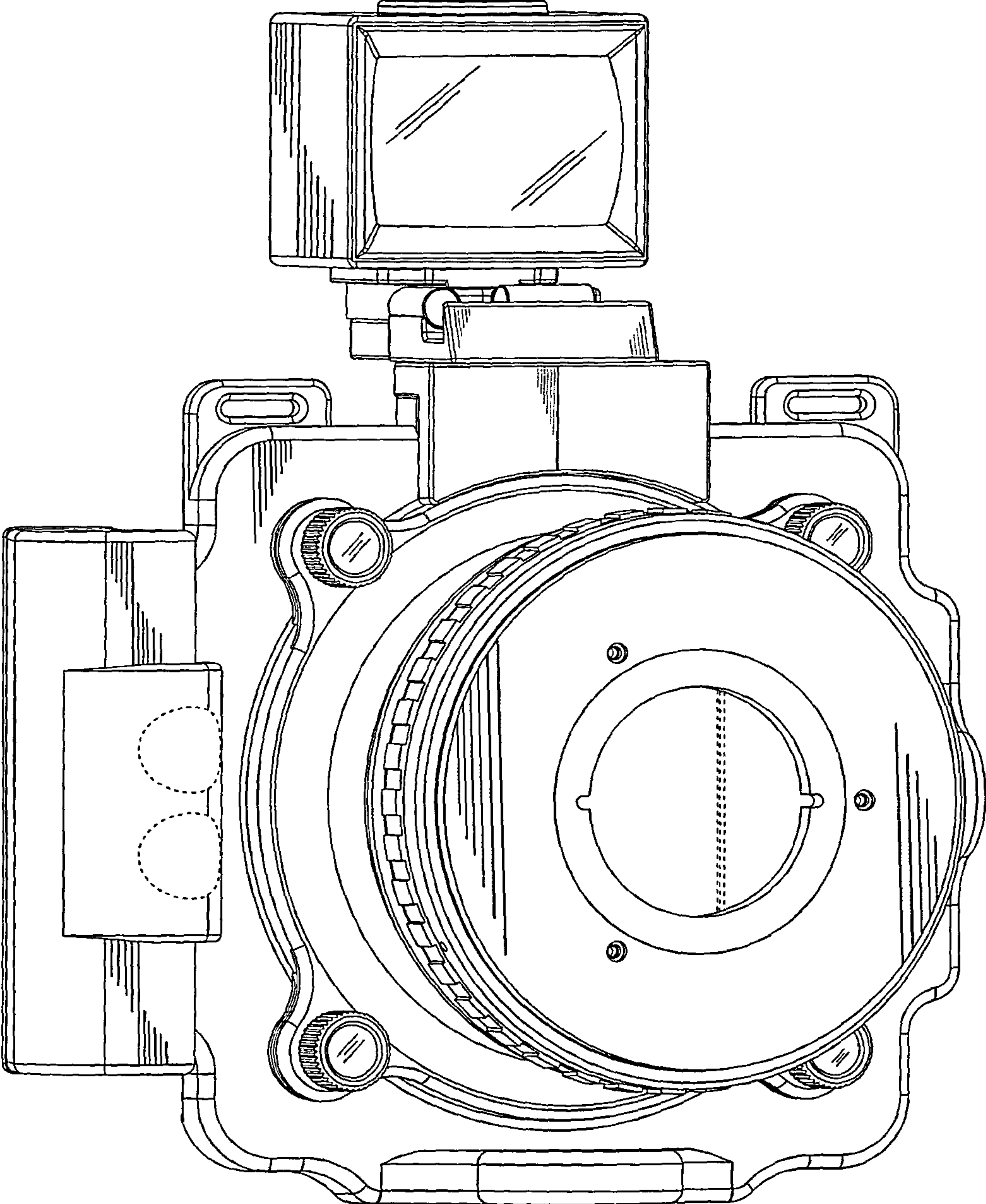


FIG. 7