



US00D699774S

(12) **United States Design Patent**
Kuehn et al.

(10) **Patent No.:** **US D699,774 S**
(45) **Date of Patent:** **** Feb. 18, 2014**

(54) **MAGNIFIER**

- (71) Applicant: **Target Brands, Inc.**, Minneapolis, MN (US)
- (72) Inventors: **Thomas P. Kuehn**, St. Louis Park, MN (US); **Katherine E. Larson**, Minneapolis, MN (US)
- (73) Assignee: **Target Brands, Inc.**, Minneapolis, MN (US)

(**) Term: **14 Years**

(21) Appl. No.: **29/446,171**

(22) Filed: **Feb. 21, 2013**

(51) **LOC (10) Cl.** **16-06**

(52) **U.S. Cl.**
USPC **D16/135**

(58) **Field of Classification Search**
USPC D16/135, 130; 359/800, 802, 803, 804, 359/808, 810, 813, 817, 811; D21/483; D3/207, 208, 212; D28/77, 83, 82; 206/0.8, 37, 316.1

See application file for complete search history.

(56) **References Cited**

U.S. PATENT DOCUMENTS

D196,452 S *	10/1963	Burlin	D16/135
D217,506 S	5/1970	Knoetgen		
D260,401 S	8/1981	Leopoldi		
D269,184 S *	5/1983	Tweedie	D16/135
D336,655 S	6/1993	Lee		
D367,487 S	2/1996	Segan		
D380,483 S	7/1997	Lee		
D394,272 S *	5/1998	Hon	D16/135
D397,866 S *	9/1998	Hartmann et al.	D3/212
D413,504 S	9/1999	Kung		
D467,036 S *	12/2002	Bakic	D28/82
D492,336 S *	6/2004	Yip et al.	D16/135
D530,353 S *	10/2006	Jarosinski et al.	D16/135
7,139,136 B2 *	11/2006	Waggoner et al.	359/803
D538,321 S	3/2007	Yeh		

D561,217 S	2/2008	Young		
D572,284 S	7/2008	Kit		
7,414,798 B1 *	8/2008	Yip et al.	359/802
D580,466 S	11/2008	Pola		
D589,546 S	3/2009	Levine		
D594,496 S	6/2009	Jim		
D597,114 S *	7/2009	Yip et al.	D16/135
D634,763 S *	3/2011	Levine	D16/135
D635,169 S	3/2011	Lui		
D658,698 S	5/2012	Jim		
D665,438 S *	8/2012	Jim	D16/135

OTHER PUBLICATIONS

Present Perfect, "Thin Plastic Magnifying Glass, Transparent," http://presentperfect.eu/termekek/logozott/iroasztali_felsz/73188/ultra_thin_plastic_magnifying_glass.html?start=19, 1 page, at least as early as Jul. 2012.

Identity Links, "Home Office Magnifying Glass with Logo," <http://www.identity-links.com/desktop-office/Magnifying-Glasses/the-professional-magnifier>, 1 page, at least as early as Jul. 2012.

* cited by examiner

Primary Examiner — Paula Greene

(74) *Attorney, Agent, or Firm* — Leanne Tavegggia Farrell; Westman, Champlin & Koehler, P.A.

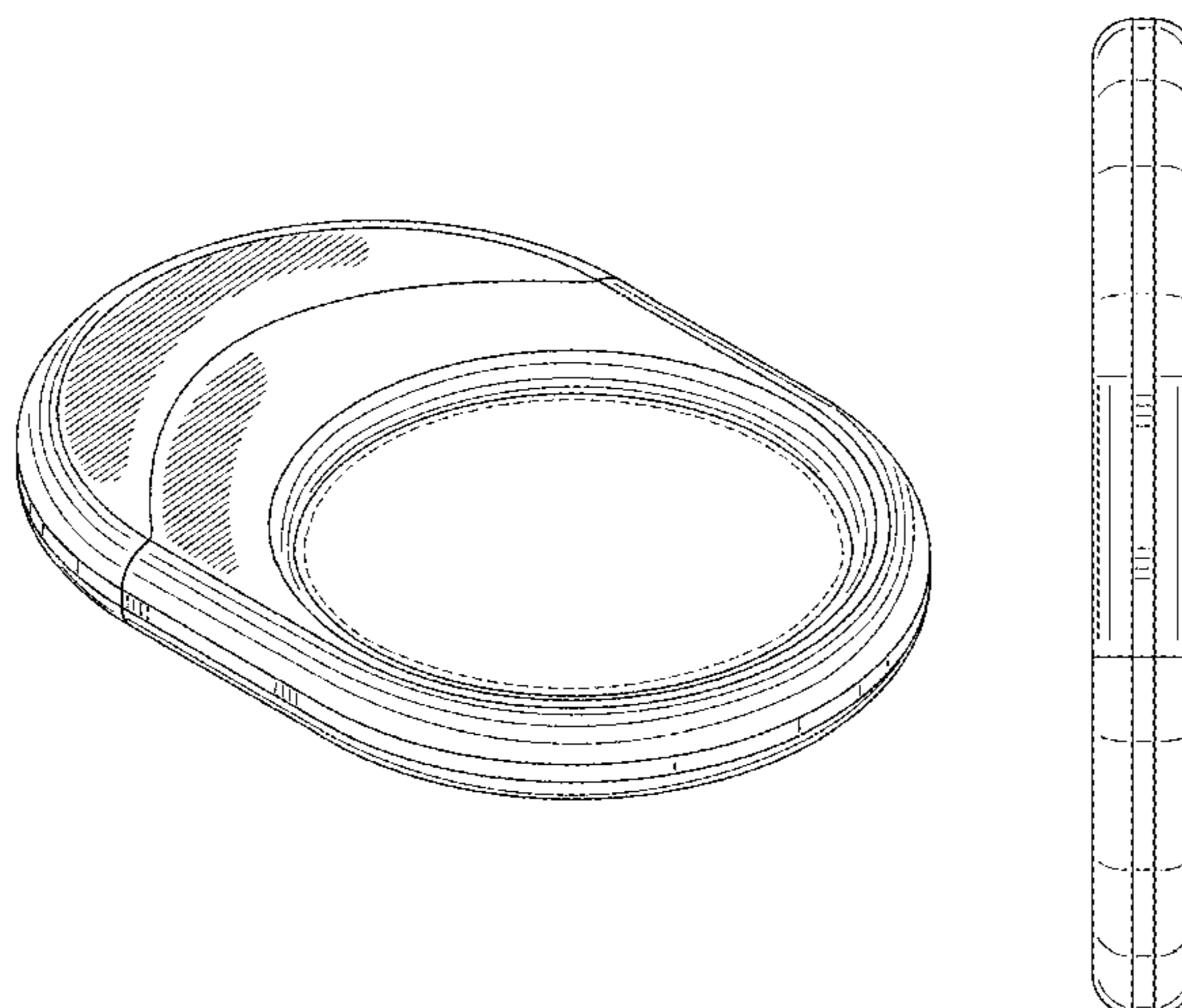
(57) **CLAIM**

The ornamental design for a magnifier, as shown and described.

DESCRIPTION

FIG. 1 is a perspective view of a magnifier showing our new design;
FIG. 2 is a front view thereof, the rear being identical;
FIG. 3 is a side view thereof, the opposing side being identical;
FIG. 4 is a top view thereof; and,
FIG. 5 is a bottom view thereof.
The broken lines shown in the drawings are included for purposes of illustrating portions of the magnifier and form no part of the claimed design.

1 Claim, 2 Drawing Sheets



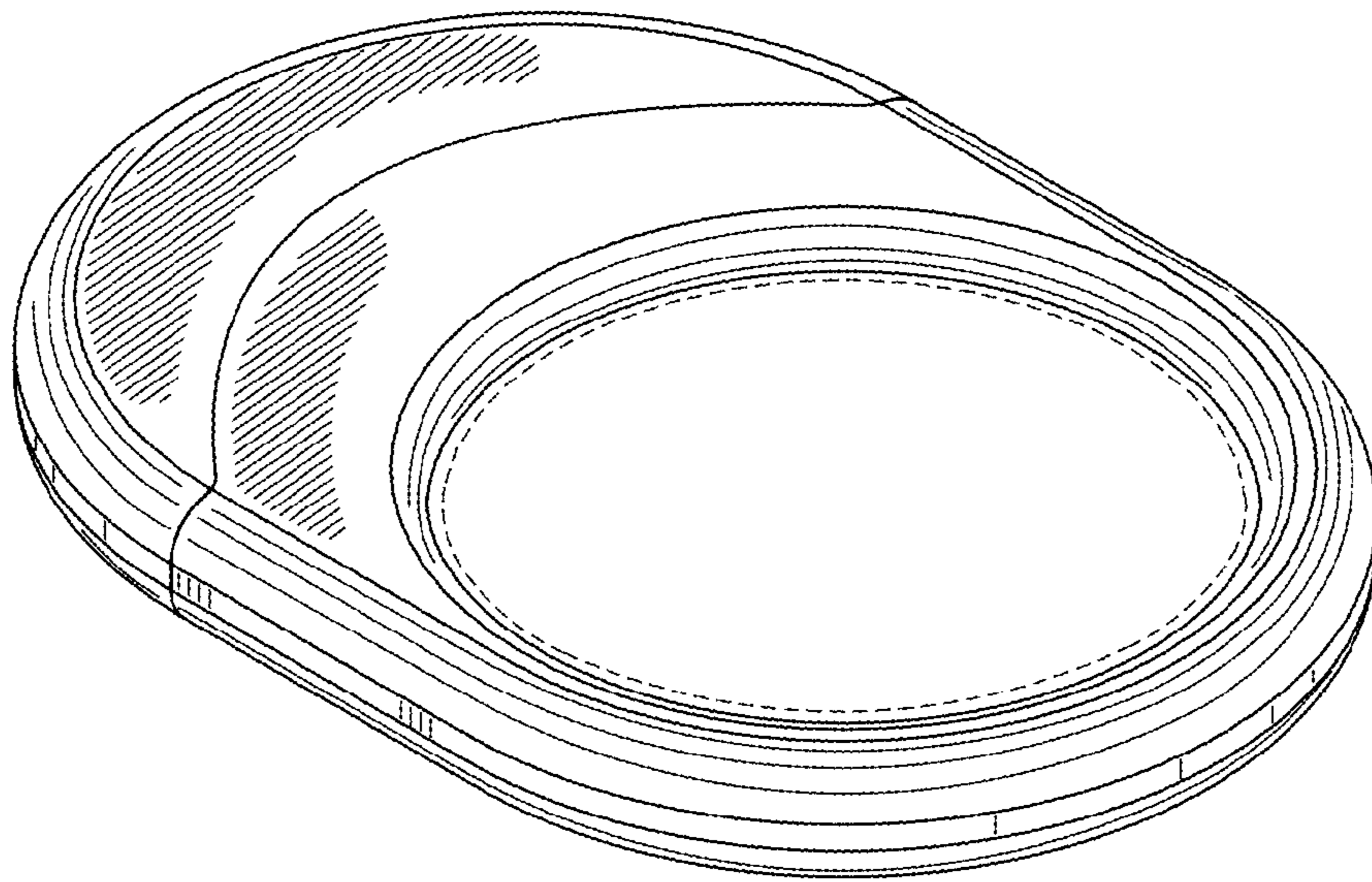


Fig. 1

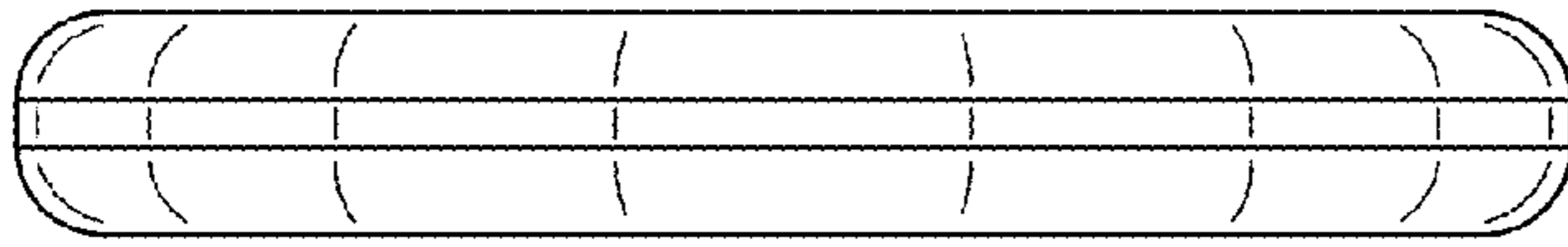


Fig. 4

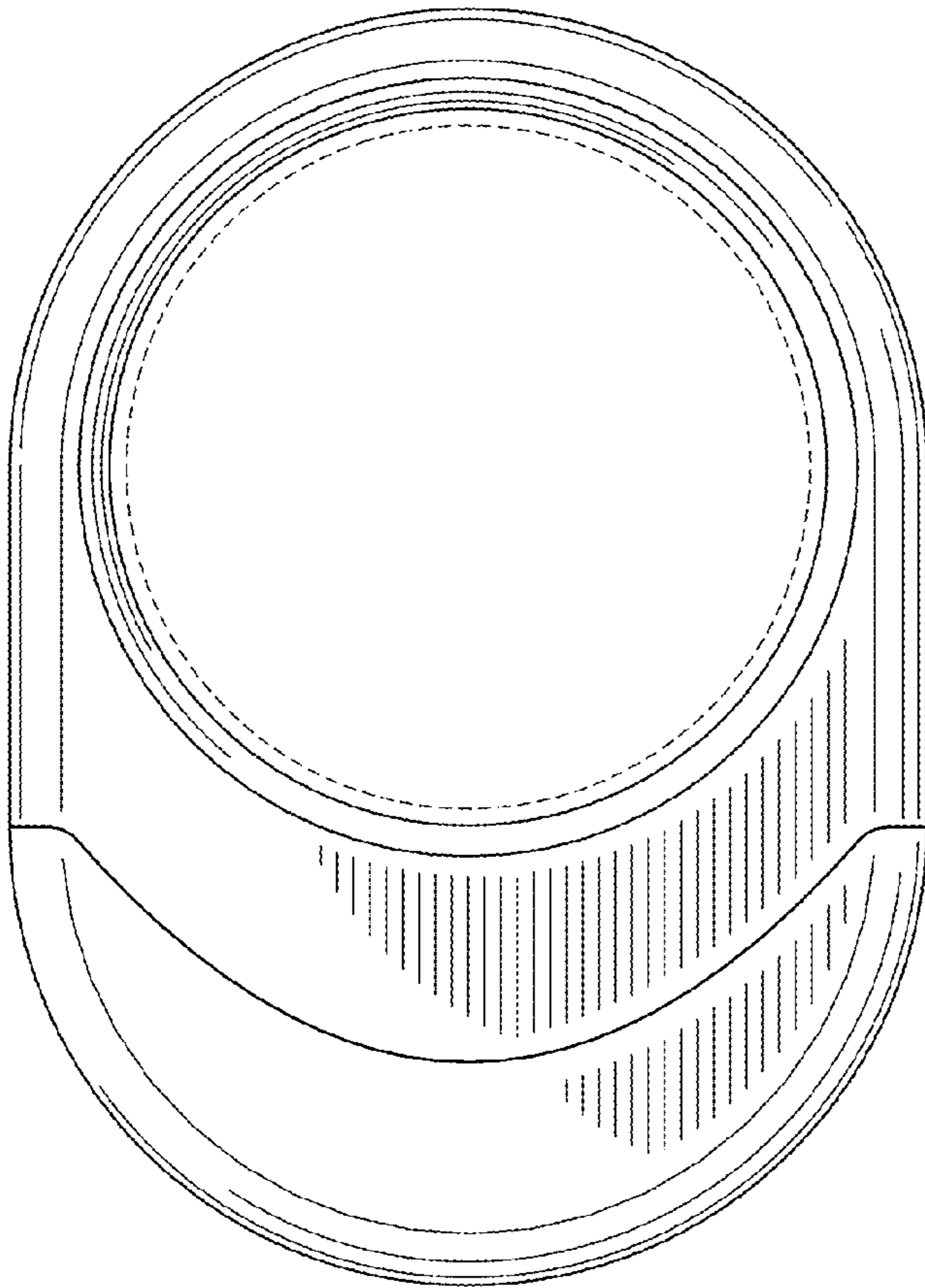


Fig. 2

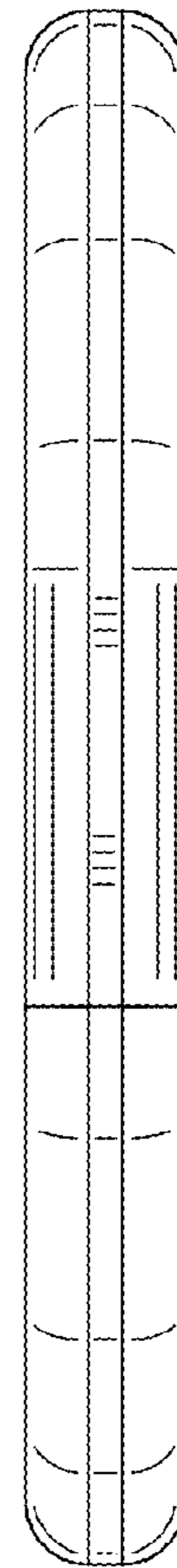


Fig. 3



Fig. 5