



US00D699773S

(12) **United States Design Patent**
Hasuda

(10) **Patent No.:** **US D699,773 S**

(45) **Date of Patent:** **** Feb. 18, 2014**

(54) **CAMERA LENS**

(75) **Inventor:** **Masanori Hasuda**, Fujisawa (JP)

(73) **Assignee:** **Nikon Corporation**, Tokyo (JP)

(**) **Term:** **14 Years**

(21) **Appl. No.:** **29/412,565**

(22) **Filed:** **Feb. 6, 2012**

(30) **Foreign Application Priority Data**

Aug. 10, 2011	(JP)	2011-018385
Sep. 7, 2011	(JP)	2011-020419
Sep. 7, 2011	(JP)	2011-020420
Sep. 7, 2011	(JP)	2011-020421
Sep. 7, 2011	(JP)	2011-020422

(51) **LOC (10) Cl.** **16-06**

(52) **U.S. Cl.**
USPC **D16/134; D16/219**

(58) **Field of Classification Search**
USPC D16/130, 134, 136, 200, 202, 204, 218,
D16/219; 359/642, 811, 819, 827, 828, 830;
396/529, 530, 531, 532; 348/373, 374,
348/375, 376; 358/909.1

See application file for complete search history.

(56) **References Cited**

U.S. PATENT DOCUMENTS

4,063,264	A *	12/1977	Ando et al.	396/531
4,118,713	A *	10/1978	Murakami et al.	396/227
D251,669	S *	4/1979	Ueda et al.	D16/134
5,262,899	A *	11/1993	Iizuka	359/811
5,481,406	A *	1/1996	Yamazaki et al.	359/694
5,570,153	A *	10/1996	Shono	396/531
D375,969	S *	11/1996	Watanabe	D16/134
D390,857	S *	2/1998	Hayamizu	D16/134
D420,029	S *	2/2000	Kimura et al.	D16/134
D425,088	S *	5/2000	Watanabe	D16/134
D433,044	S *	10/2000	Nagaoka et al.	D16/134

D441,382	S *	5/2001	Konno et al.	D16/134
6,369,960	B2 *	4/2002	Azegami	359/819
6,554,503	B2 *	4/2003	Imanari et al.	396/531
D482,377	S *	11/2003	Tajima	D16/134
D523,057	S *	6/2006	Watanabe	D16/219
D537,096	S *	2/2007	Tokiwa et al.	D16/219
D537,461	S *	2/2007	Tokiwa et al.	D16/219
D539,320	S *	3/2007	Tokiwa et al.	D16/219
D540,363	S *	4/2007	Tokiwa et al.	D16/219
D549,263	S *	8/2007	Tokiwa et al.	D16/219
D549,264	S *	8/2007	Tokiwa	D16/219
D552,147	S *	10/2007	Tajima	D16/219
D559,884	S *	1/2008	Tokiwa	D16/219
7,593,169	B2 *	9/2009	Ouchi	359/702
7,625,144	B2 *	12/2009	Kranz et al.	396/529
7,798,731	B2 *	9/2010	Kurosawa	396/505
7,848,634	B2 *	12/2010	Kranz et al.	396/310
7,853,137	B2 *	12/2010	Yang	396/71
7,961,411	B2 *	6/2011	Lee	359/819
7,988,372	B2 *	8/2011	Lee et al.	396/531

(Continued)

Primary Examiner — Phillip S Hyder

(74) *Attorney, Agent, or Firm* — Wolf, Greenfield & Sacks, P.C.; Randy J. Pritzker

(57) **CLAIM**

The ornamental design for a camera lens, as shown and described.

DESCRIPTION

FIG. 1 is a perspective view of an embodiment of a camera lens showing my new design;

FIG. 2 is a rear elevational view thereof;

FIG. 3 is a top plan view thereof;

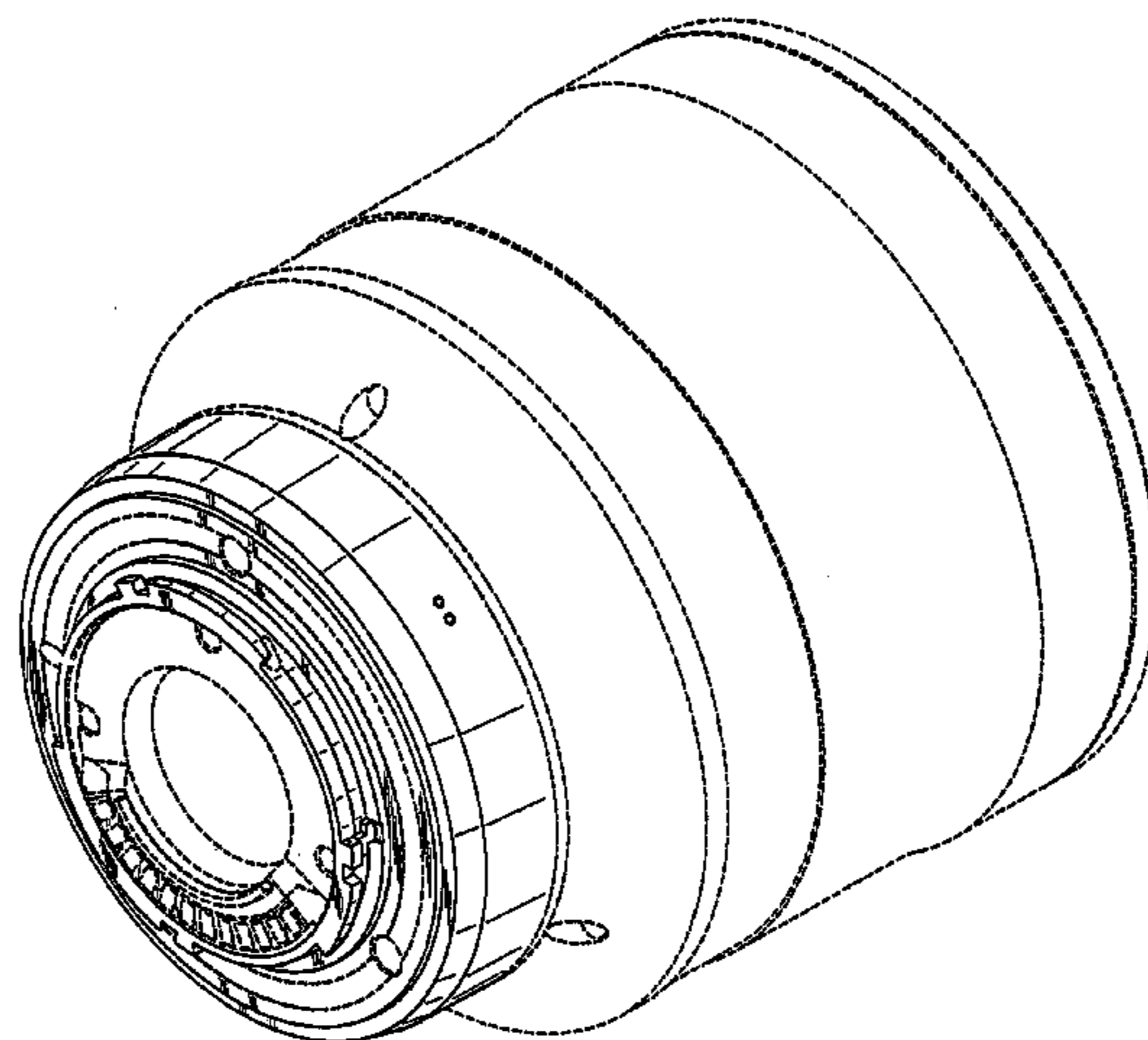
FIG. 4 is a bottom plan view thereof;

FIG. 5 is a right side elevational view thereof; and,

FIG. 6 is a left side elevational view thereof.

The features shown in broken lines in the drawings depict environmental subject matter only and form no part of the claimed design. The dot-dashed lines denote the boundary of the claim, and form no part of the claimed design.

1 Claim, 6 Drawing Sheets



US D699,773 S

Page 2

(56)

References Cited

U.S. PATENT DOCUMENTS

8,002,483 B2 * 8/2011 Fujiwara et al. 396/531
8,027,576 B2 * 9/2011 Lai 396/25
D665,837 S * 8/2012 Tainaka D16/219

D670,751 S * 11/2012 Koyama et al. D16/219
D671,586 S * 11/2012 Asano et al. D16/219
2010/0226023 A1 * 9/2010 Lee 359/819
2011/0274424 A1 * 11/2011 Fujiwara et al. 396/532
2012/0039595 A1 * 2/2012 Youn 396/529

* cited by examiner

FIG. 1

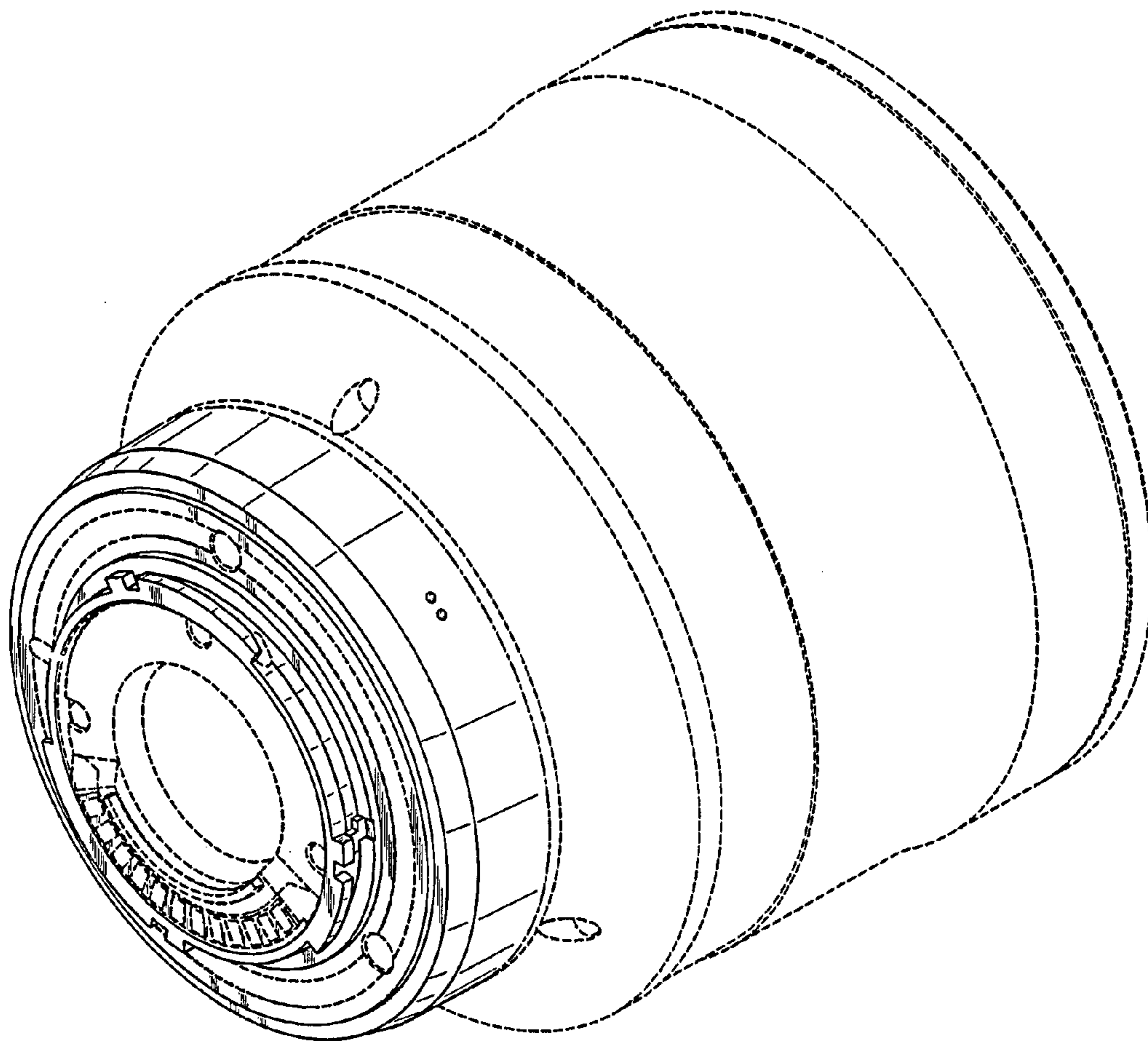


FIG. 2

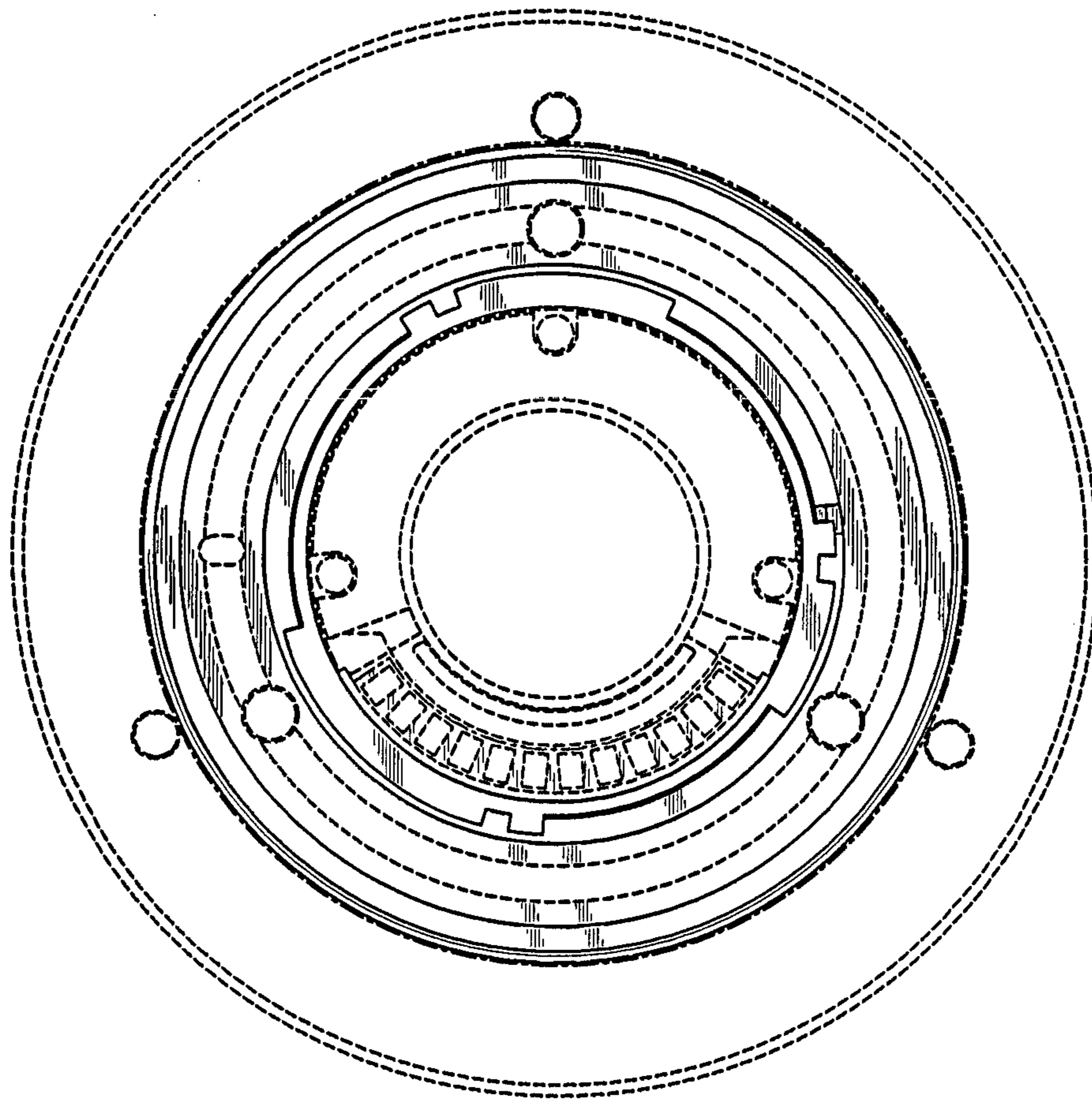


FIG. 3

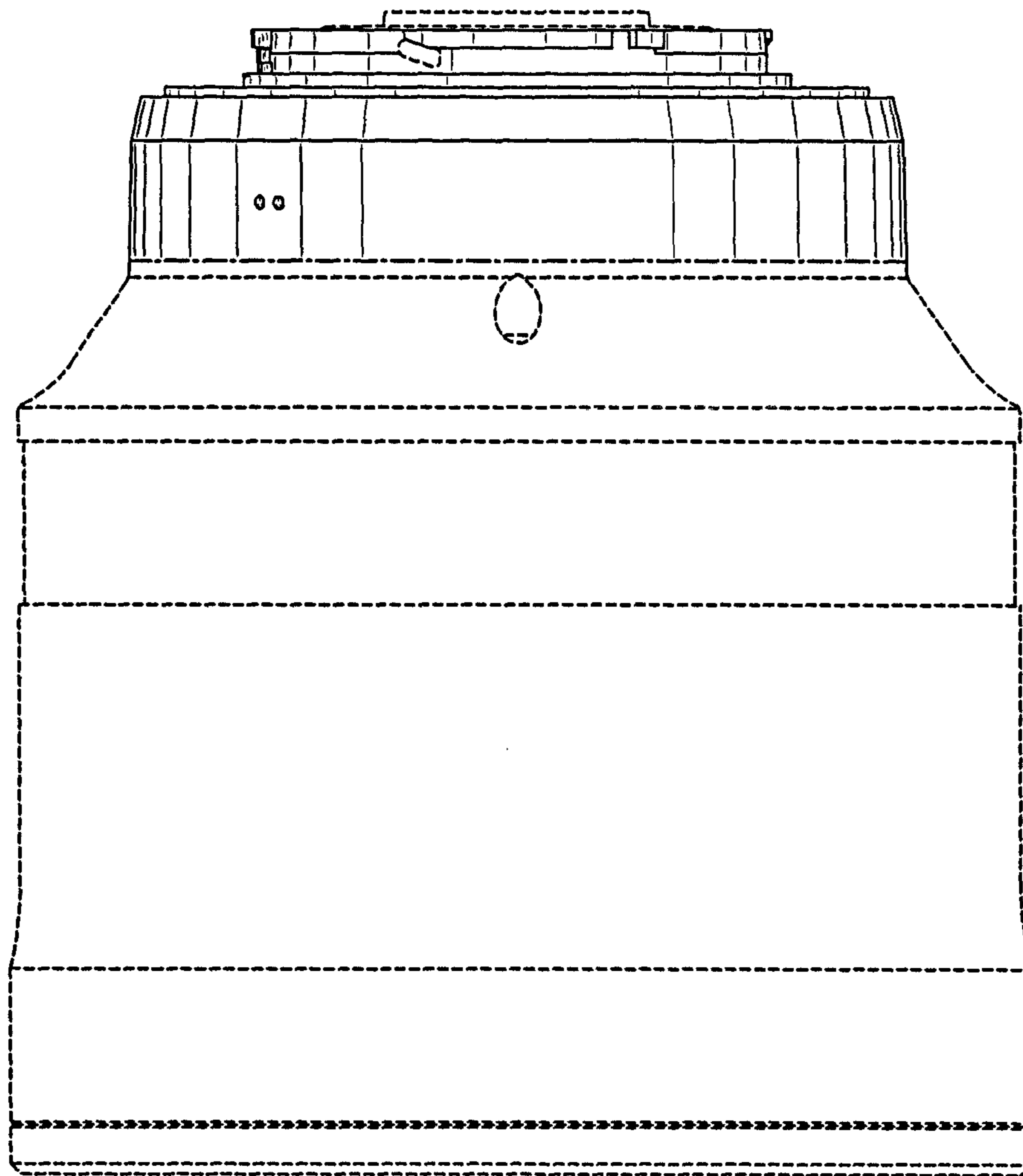


FIG. 4

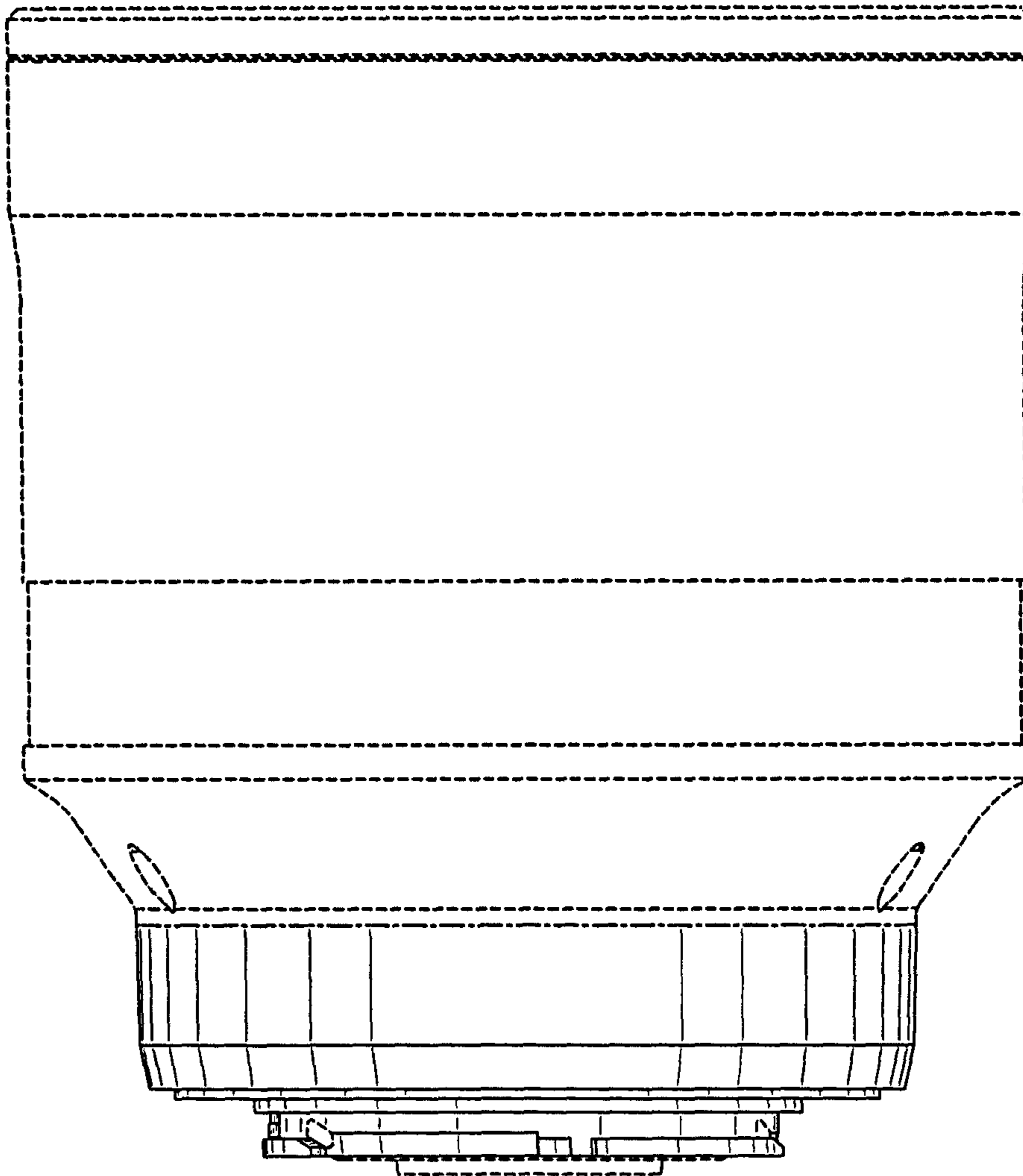


FIG. 5

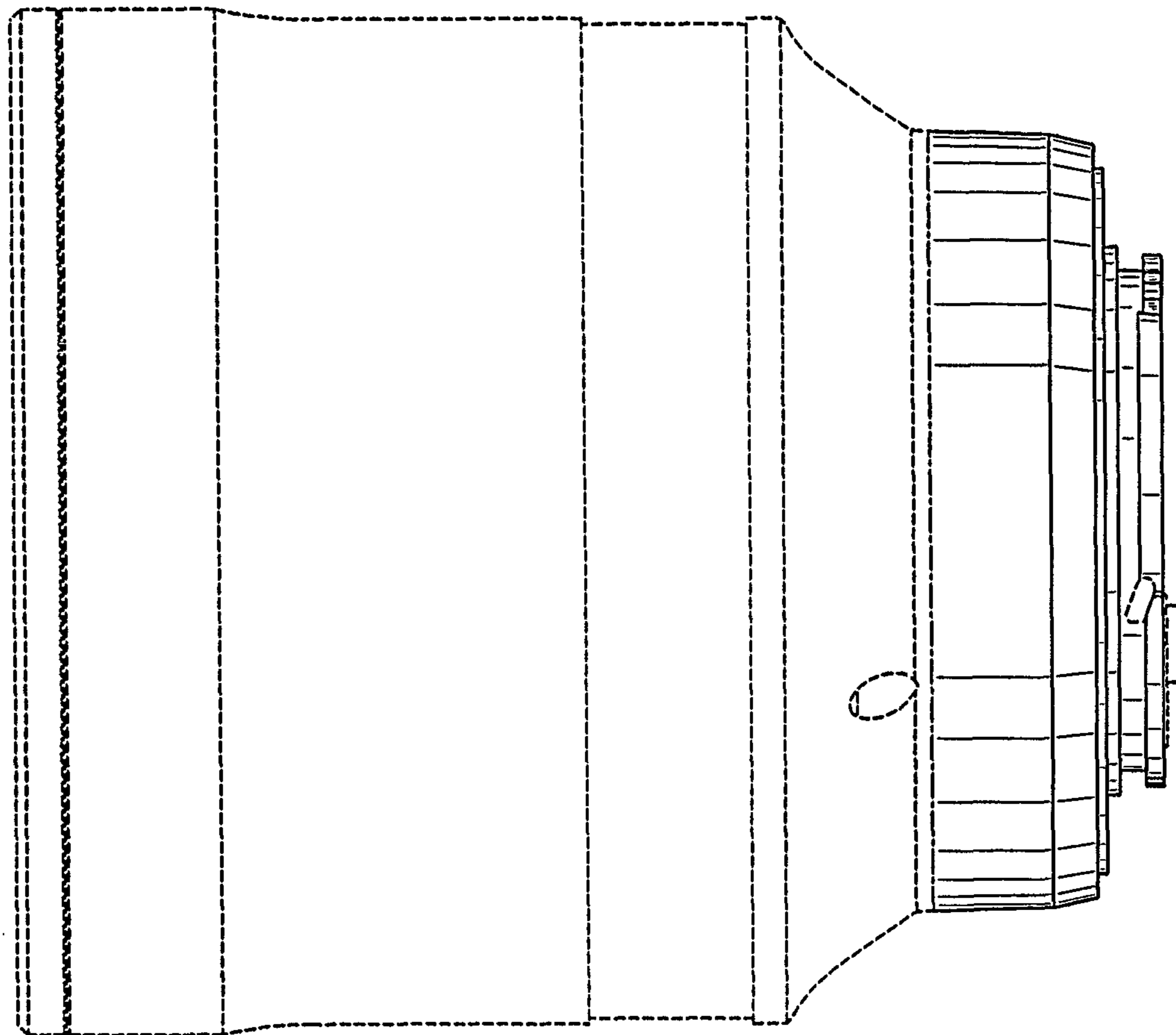


FIG. 6

