



US00D699772S

(12) **United States Design Patent**  
**Kile**

(10) **Patent No.:** **US D699,772 S**  
(45) **Date of Patent:** **\*\* Feb. 18, 2014**

(54) **TRANSPARENT OIL MONITORING AND MAINTENANCE COVER**

(71) Applicant: **Ronald J. Kile**, Rosalia, WA (US)

(72) Inventor: **Ronald J. Kile**, Rosalia, WA (US)

(\*\*) Term: **14 Years**

(21) Appl. No.: **29/454,588**

(22) Filed: **May 11, 2013**

**Related U.S. Application Data**

(62) Division of application No. 29/437,476, filed on Nov. 16, 2012.

(51) **LOC (10) Cl.** ..... **15-99**

(52) **U.S. Cl.**  
USPC ..... **D15/150**

(58) **Field of Classification Search**  
USPC ..... D9/454; D15/150, 151, 152; 137/87;  
141/86; 184/6.23, 6.4, 27.3, 6.24, 6.28,  
184/27.1, 31, 55, 58.65, 81, 108; 248/129;  
280/47.34, 79.2, 79.5; 364/140;  
418/270

See application file for complete search history.

(56) **References Cited**

**U.S. PATENT DOCUMENTS**

D113,679 S	3/1939	Neely	
4,149,575 A	4/1979	Fisher	
D332,300 S	1/1993	Eastom	
D337,594 S	7/1993	Strauch	
D342,531 S	12/1993	Commander et al.	
5,313,991 A *	5/1994	Murray et al. ....	141/86
D374,447 S	10/1996	Brewer	
D380,814 S *	7/1997	Brewer .....	D23/220
D381,030 S	7/1997	Tepman	
D399,224 S	10/1998	Maynard	
D411,800 S	7/1999	Kokenge et al.	
D419,881 S	2/2000	Kokenge et al.	
D536,614 S	2/2007	Peterson et al.	
D585,280 S	1/2009	Stuart	

D594,326 S	6/2009	Colacitti	
D597,837 S	8/2009	Stuart	
7,921,884 B2 *	4/2011	Brewer et al. ....	141/86
D639,414 S	6/2011	Berndt	
D666,227 S	8/2012	Kile	
2006/0175326 A1	8/2006	Kirkland et al.	
2007/0014102 A1	1/2007	Drane et al.	
2008/0169293 A1	7/2008	Kurtz et al.	

\* cited by examiner

*Primary Examiner* — Patricia Palasik

(74) *Attorney, Agent, or Firm* — Parsons & Goltry; Michael W. Goltry; Robert A. Parsons

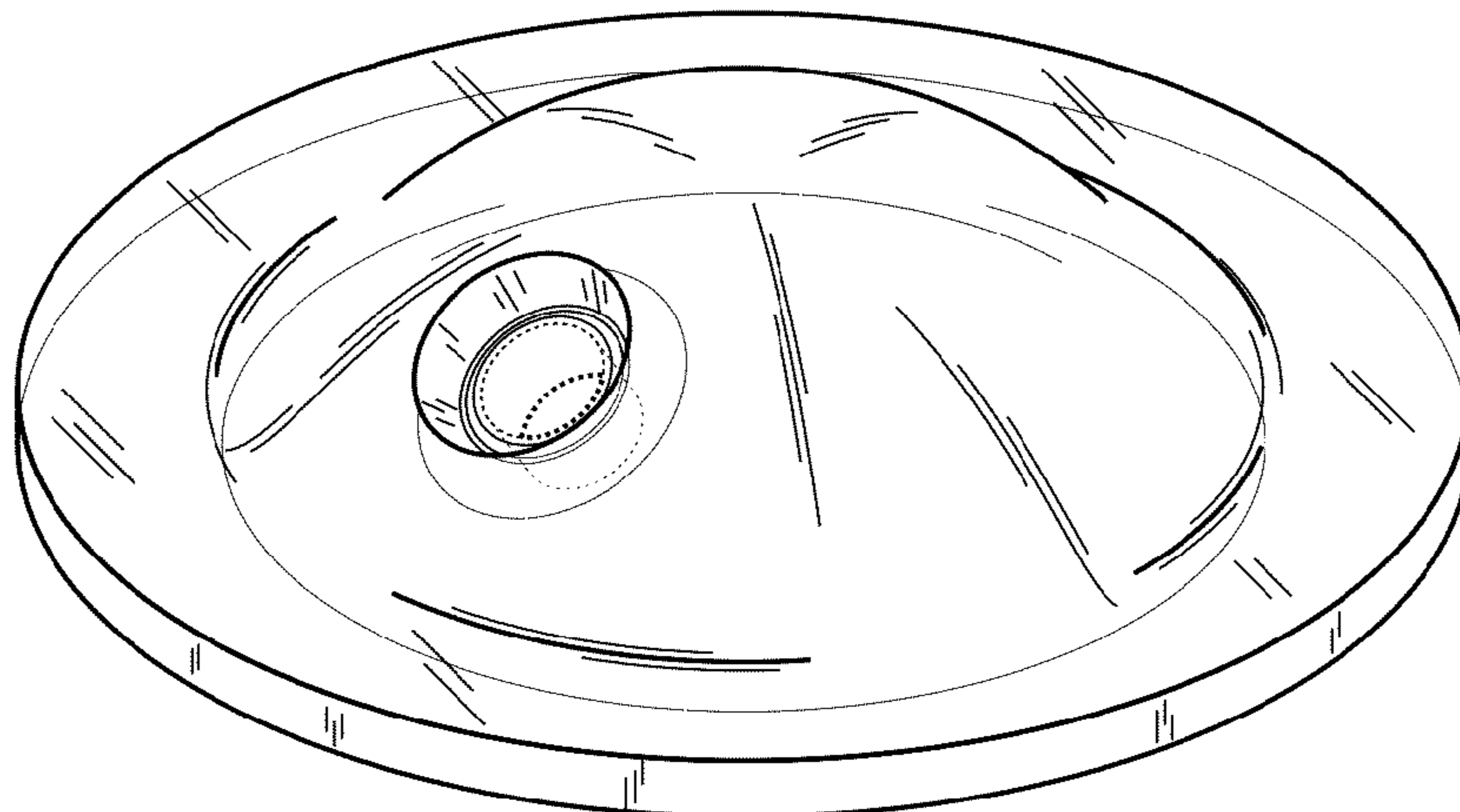
(57) **CLAIM**

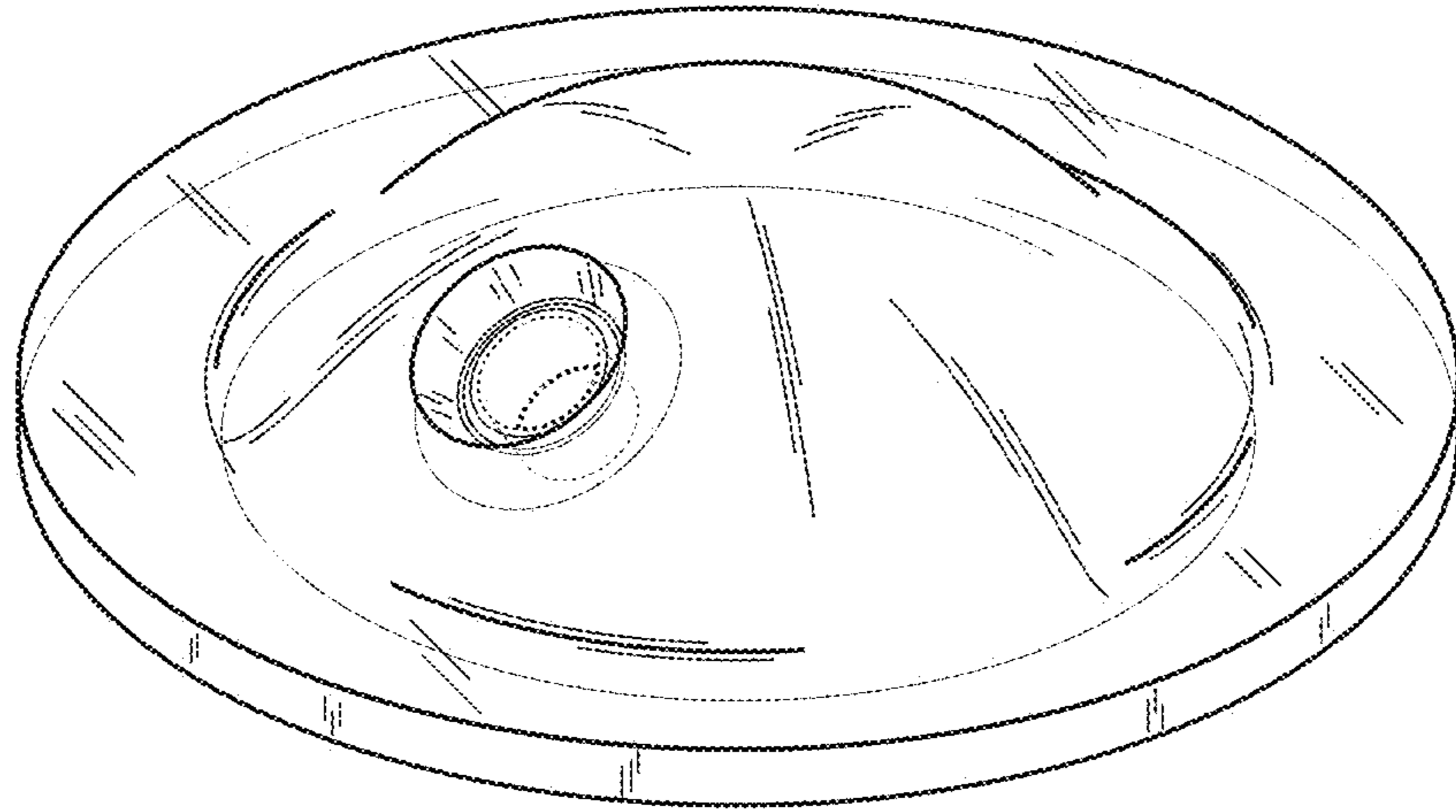
The ornamental design for a transparent oil monitoring and maintenance cover.

**DESCRIPTION**

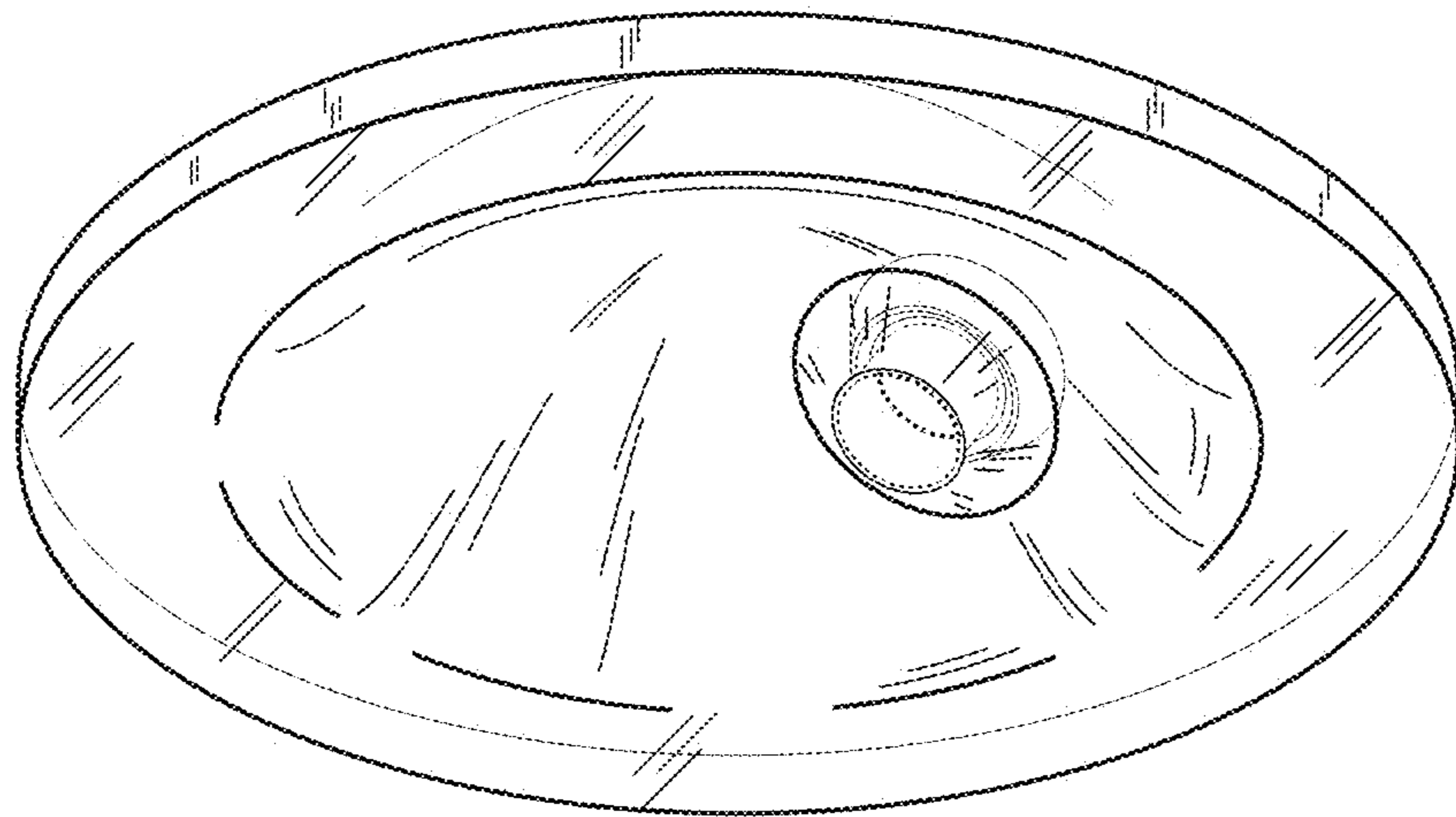
FIG. 1 is a top perspective view of a transparent oil monitoring and maintenance cover showing my new design;  
 FIG. 2 is a bottom perspective view thereof;  
 FIG. 3 is a front elevation view thereof;  
 FIG. 4 is a rear elevation view thereof;  
 FIG. 5 is a left side elevation view thereof, the right side elevation view being the mirror image thereof;  
 FIG. 6 is a top plan view thereof;  
 FIG. 7 is a bottom plan view thereof;  
 FIG. 8 is a top perspective view of an alternate embodiment of a transparent oil monitoring and maintenance cover showing my new design;  
 FIG. 9 is a bottom perspective view thereof;  
 FIG. 10 is a front elevation view thereof;  
 FIG. 11 is a rear elevation view thereof;  
 FIG. 12 is a left side elevation view thereof, the right side elevation view being the mirror image thereof;  
 FIG. 13 is a top plan view thereof; and,  
 FIG. 14 is a bottom plan view thereof.  
 The broken lines in the drawings depict unclaimed environmental subject matter.

**1 Claim, 7 Drawing Sheets**

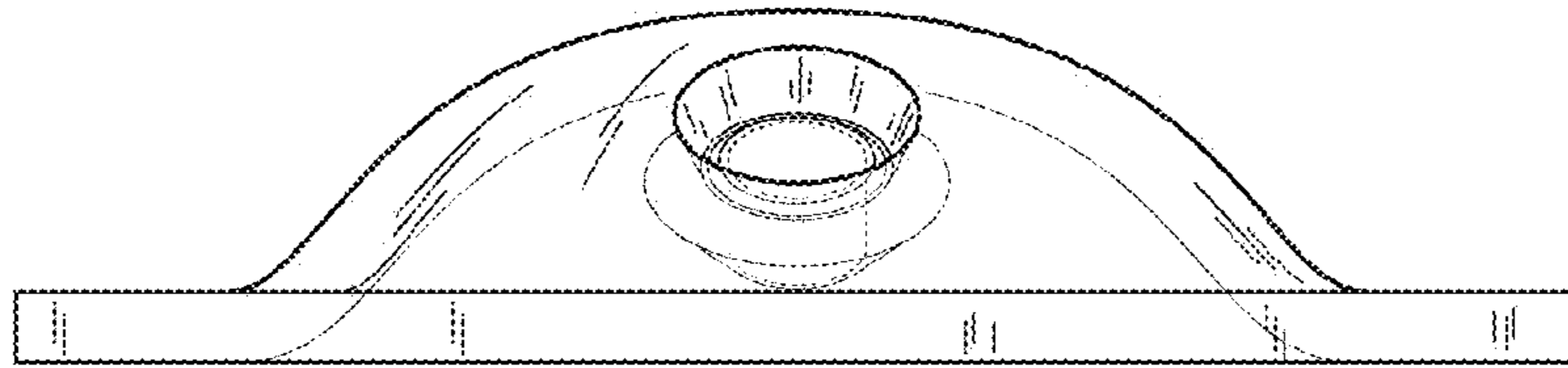




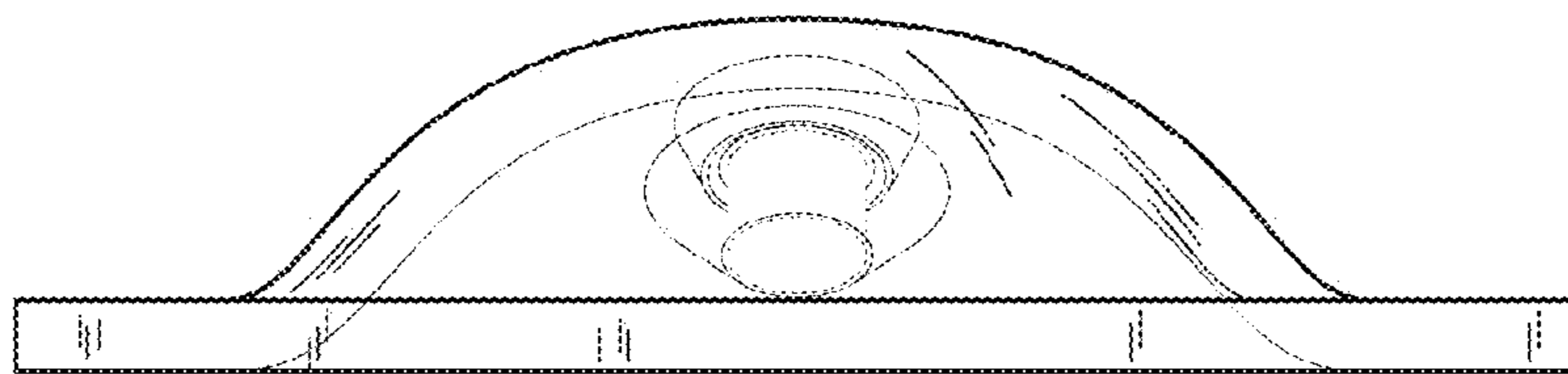
**FIG. 1**



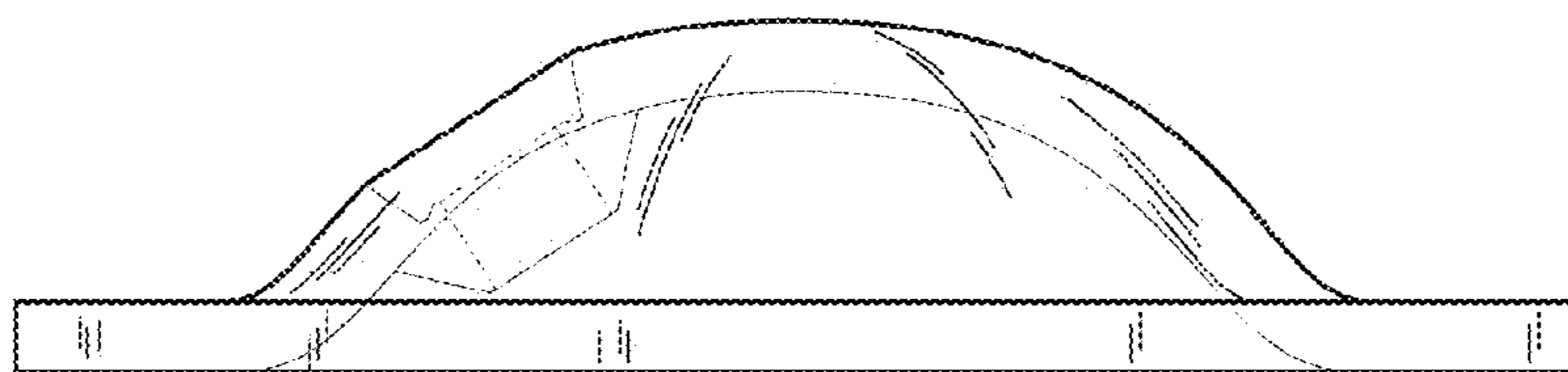
**FIG. 2**



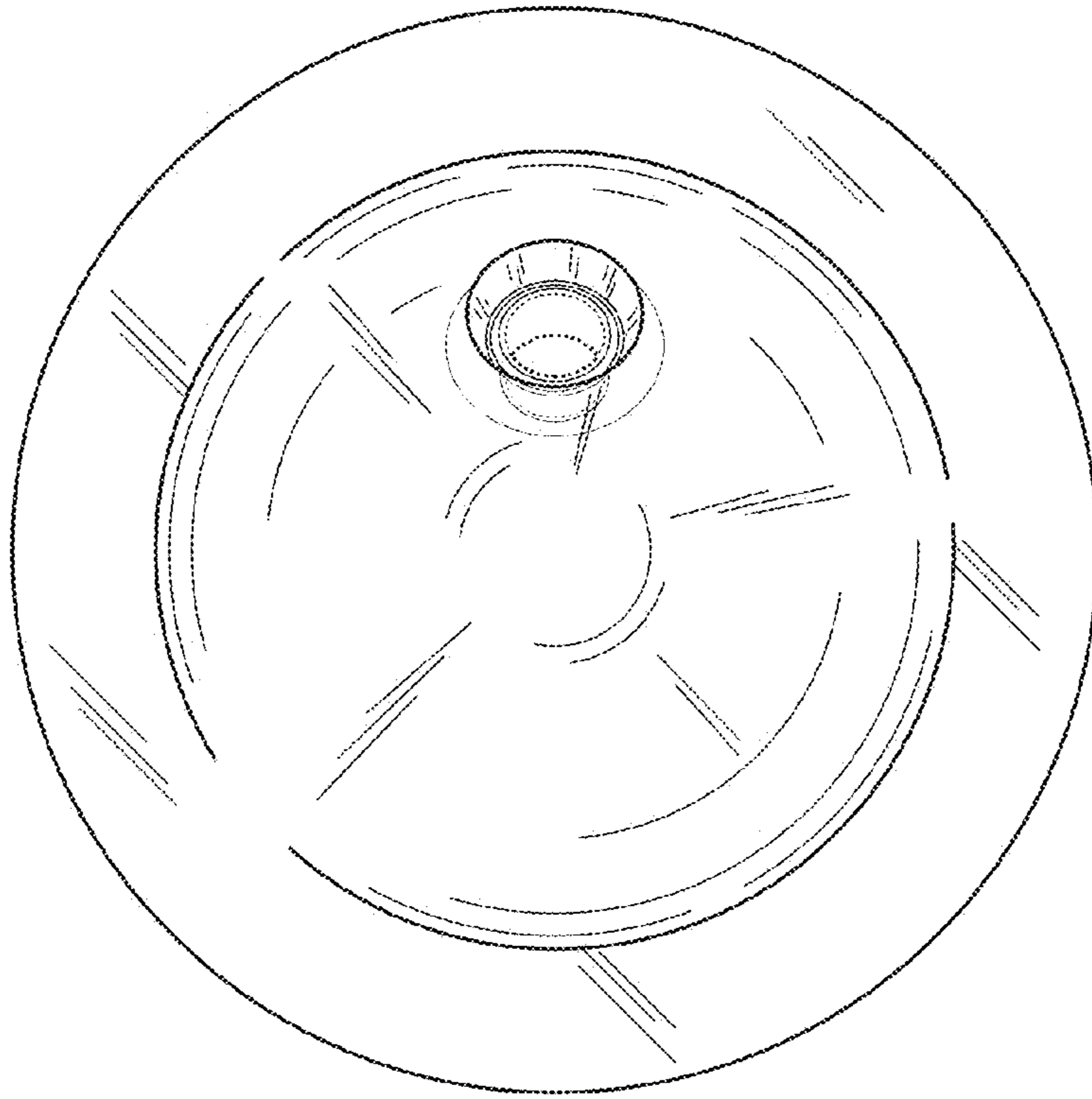
**FIG. 3**



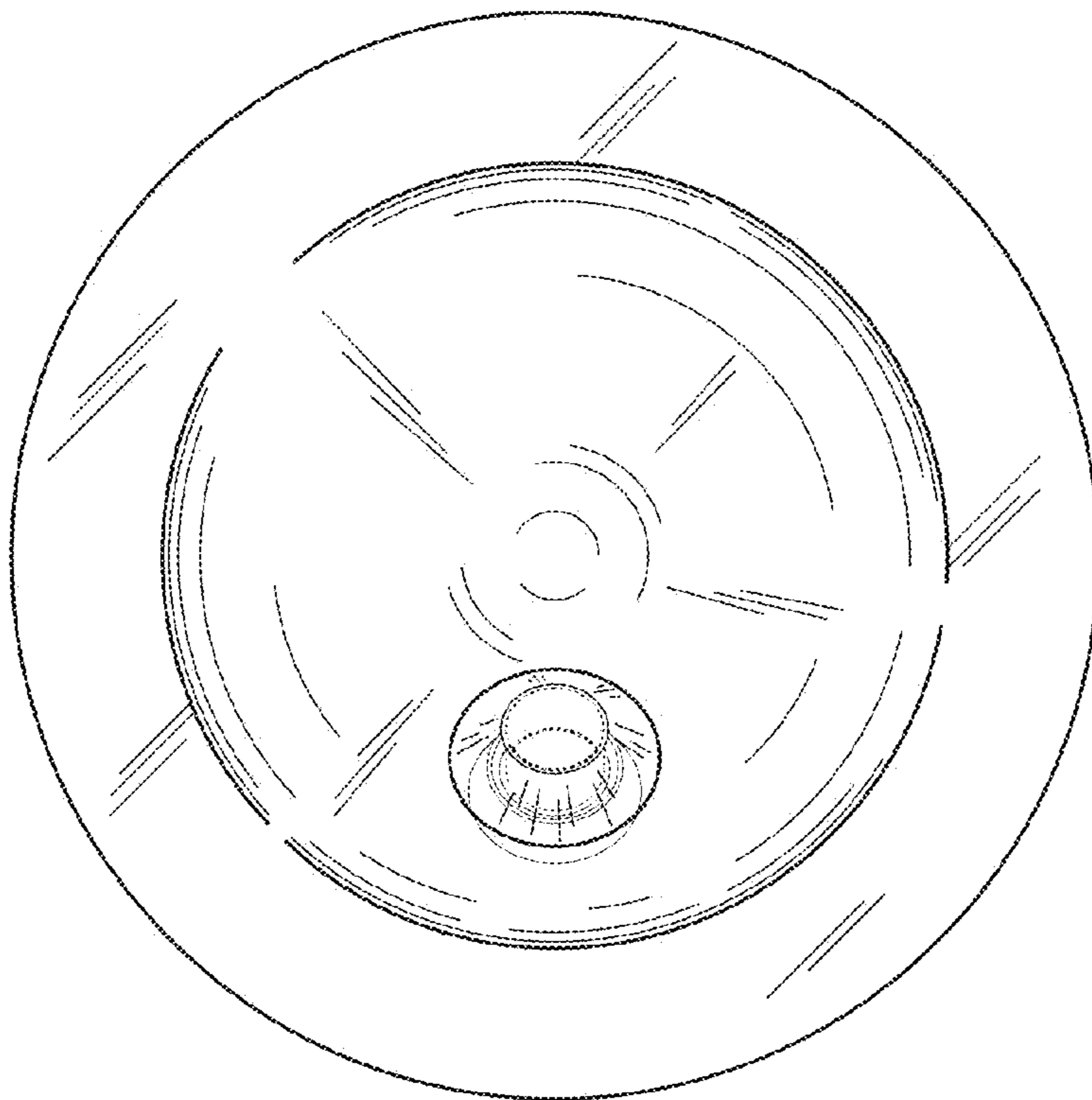
**FIG. 4**



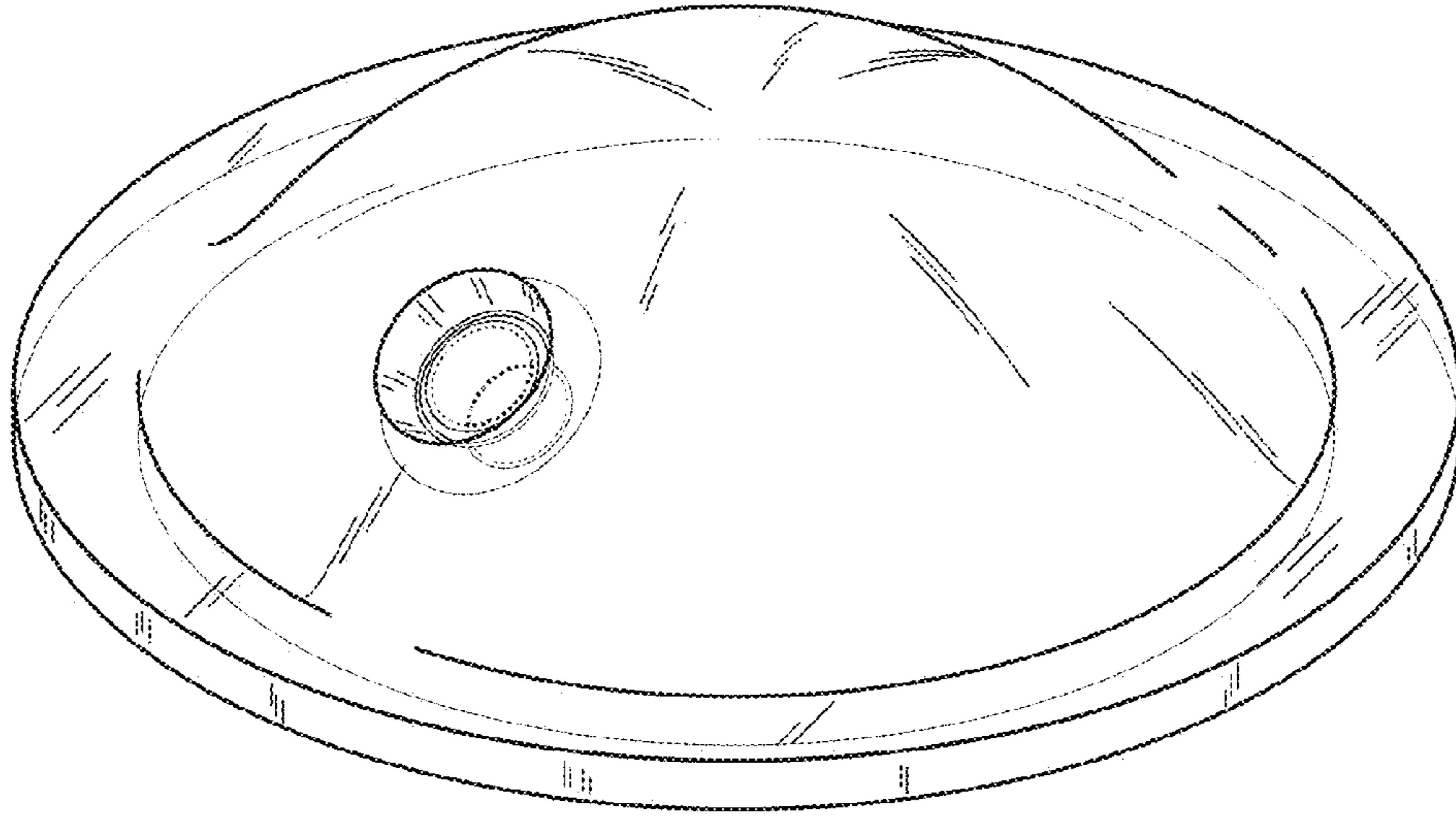
**FIG. 5**



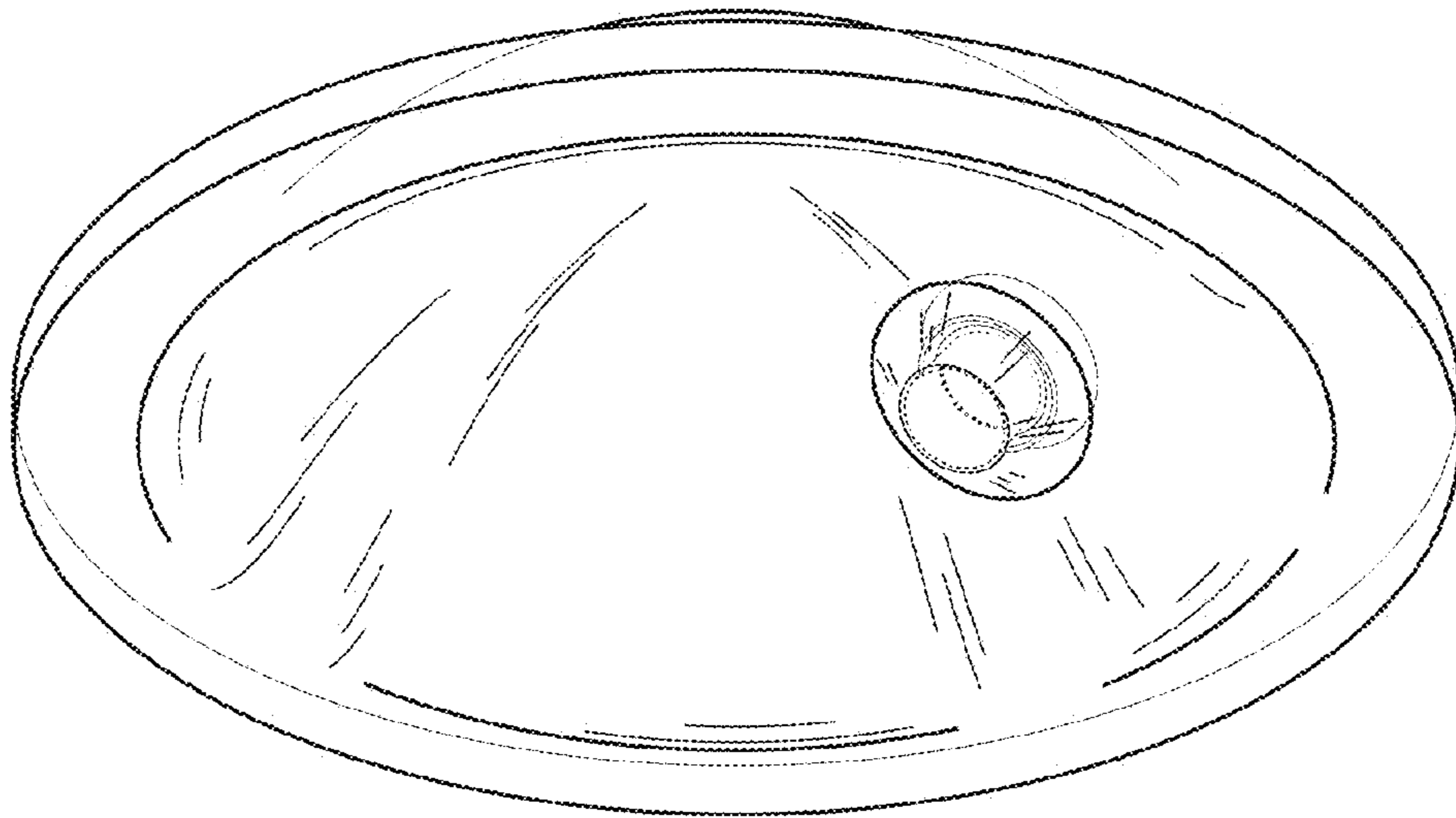
**FIG. 6**



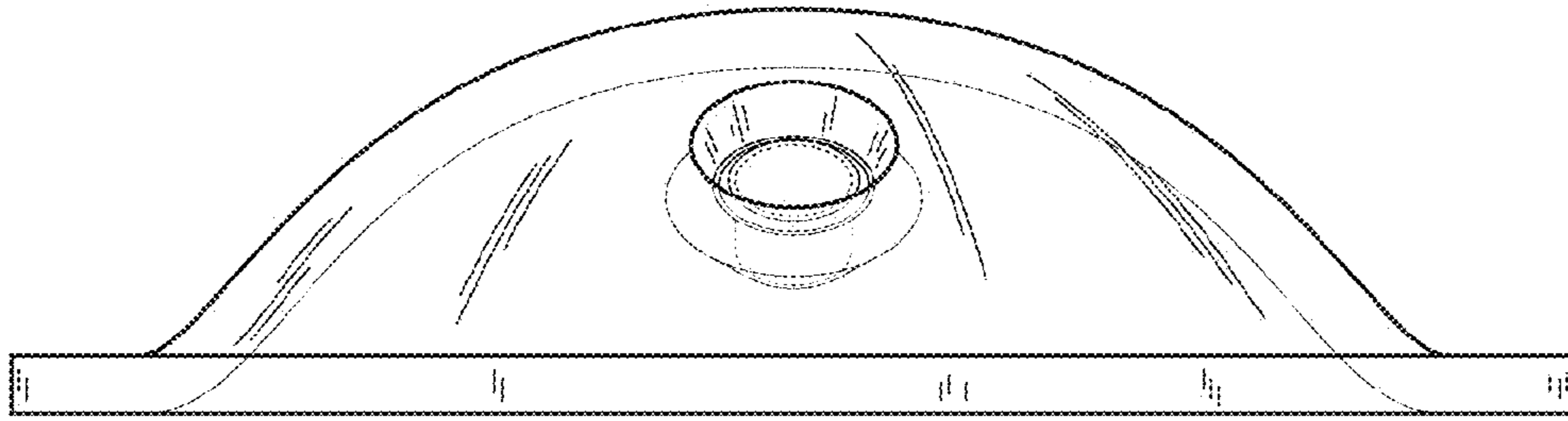
**FIG. 7**



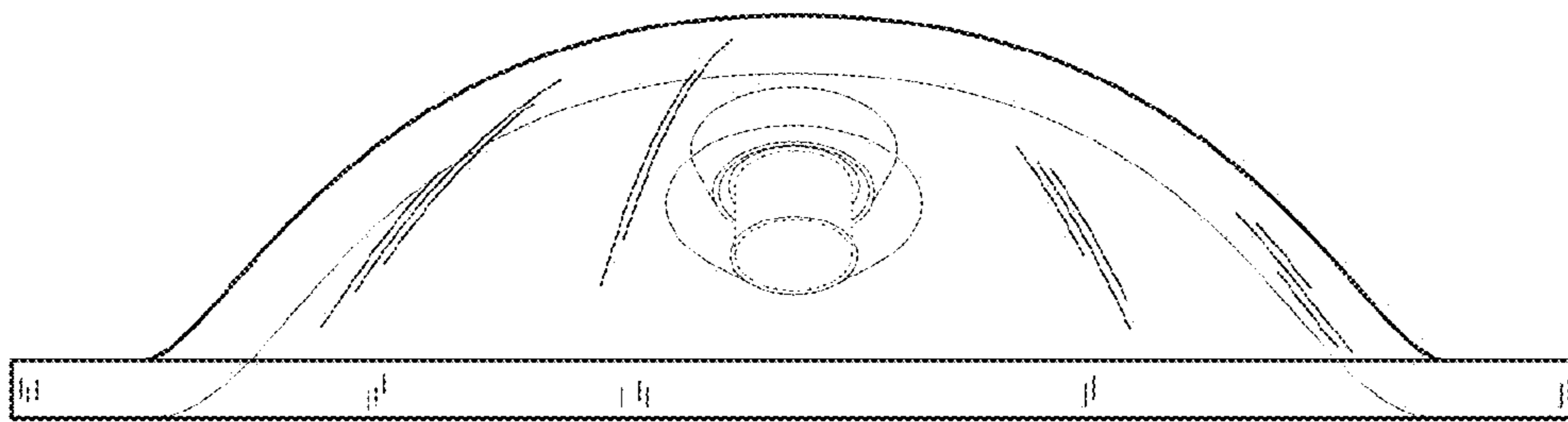
**FIG. 8**



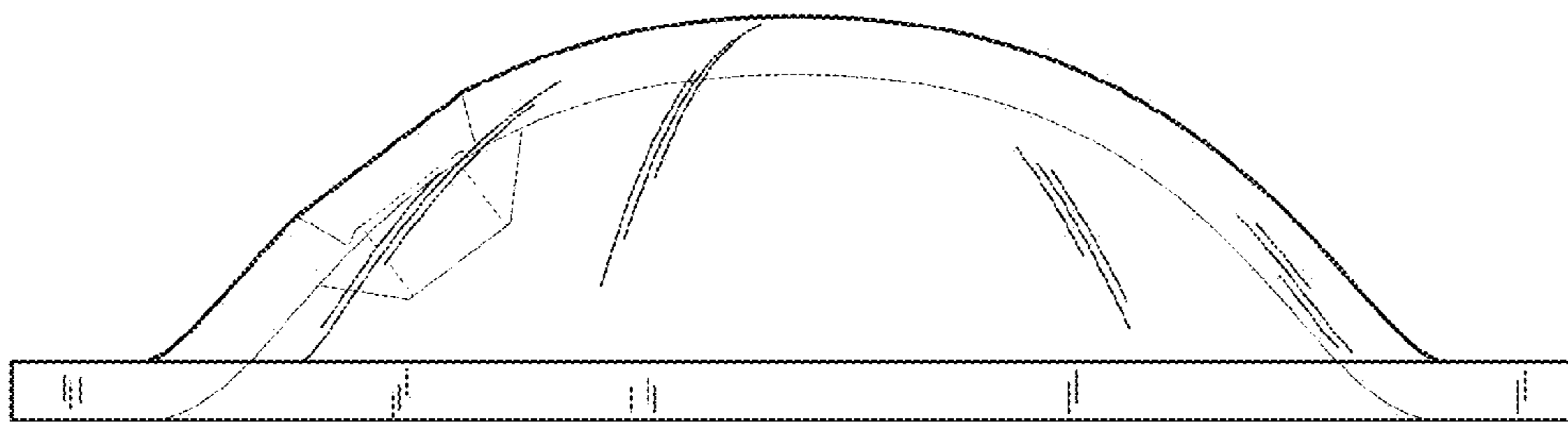
**FIG. 9**



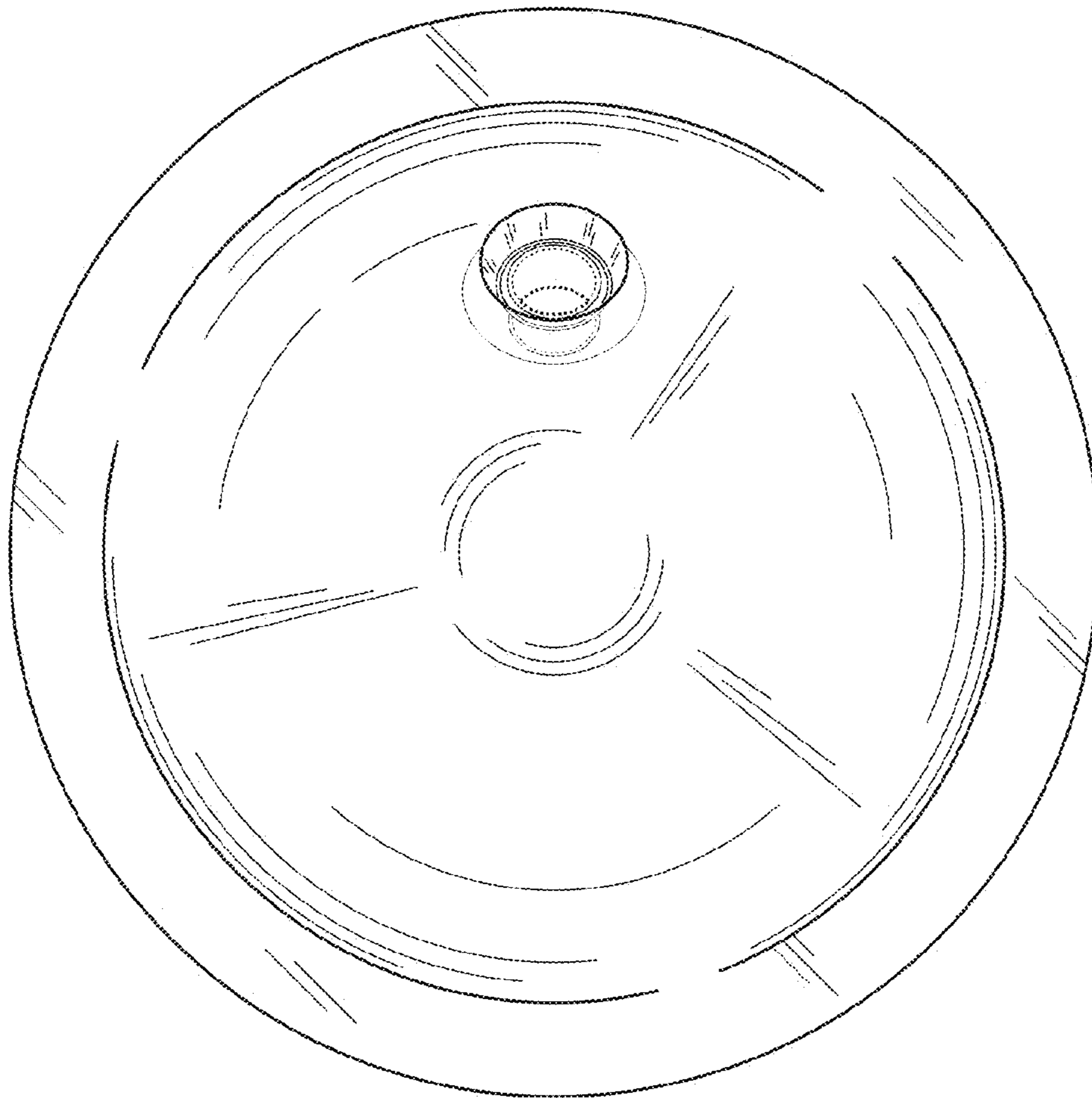
**FIG. 10**



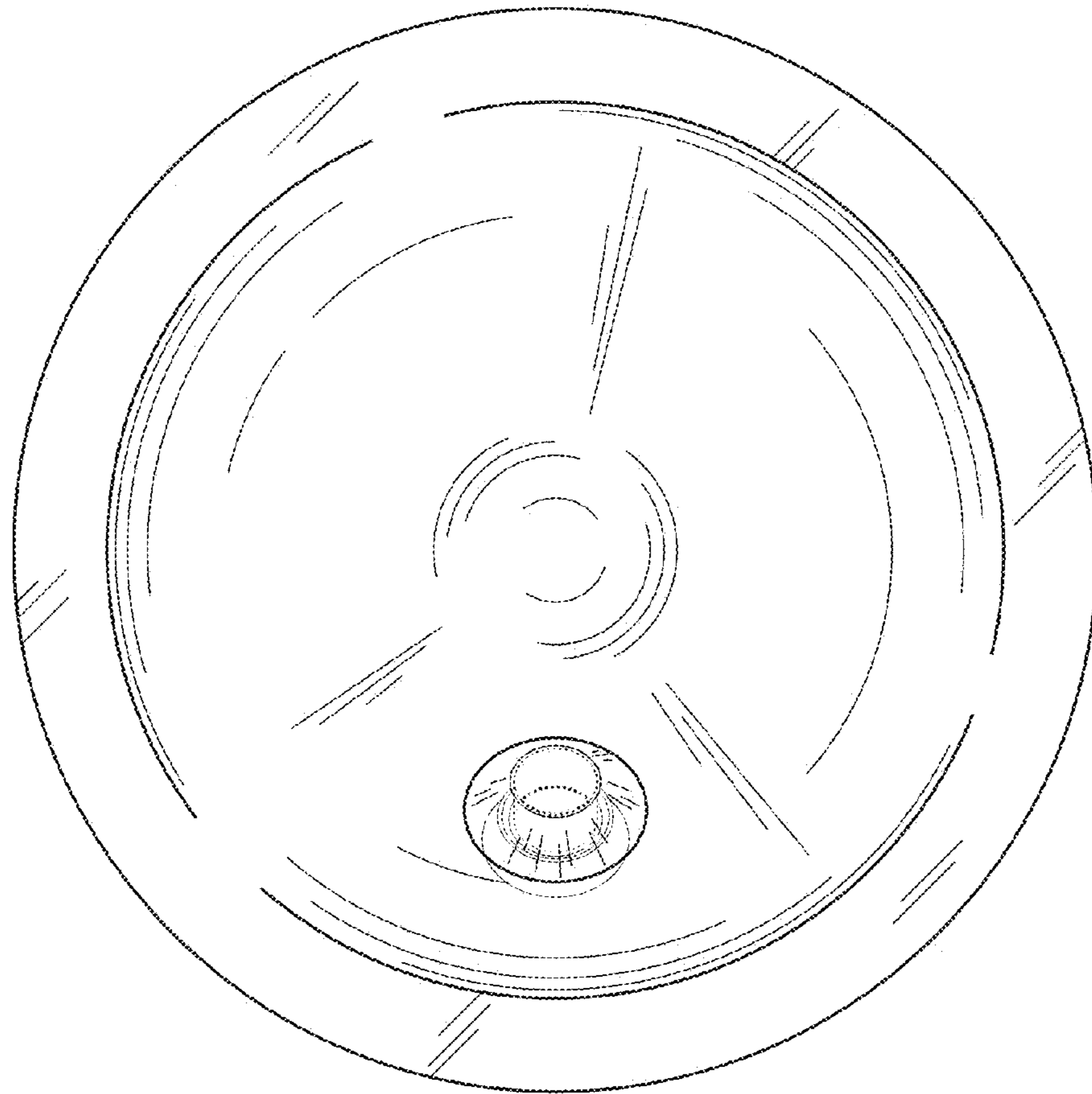
**FIG. 11**



**FIG. 12**



**FIG. 13**



**FIG. 14**