



US00D699771S

(12) **United States Design Patent**
Barrett et al.

(10) **Patent No.:** **US D699,771 S**

(45) **Date of Patent:** **** Feb. 18, 2014**

(54) **CONTROL UNIT FOR PIPE FUSING**

FOREIGN PATENT DOCUMENTS

(71) Applicant: **Watts Water Technologies, Inc.**, North Andover, MA (US)

CA 1260663 A1 9/1989

(72) Inventors: **Stephen R. Barrett**, Danvers, MA (US); **Steven Castrigno**, Manchester, NH (US); **Paul J. Lake**, Waltham, MA (US)

OTHER PUBLICATIONS

D.P. LaMarca et al., "Advancements in Plastic Pipe System Technology", 2010 IAPMO/WPC Emerging Technology Symposium—May 11-12, 2010.

(73) Assignee: **Watts Water Technologies, Inc.**, North Andover, MA (US)

* cited by examiner

(**) Term: **14 Years**

Primary Examiner — Patricia Palasik

(21) Appl. No.: **29/453,634**

(74) *Attorney, Agent, or Firm* — Edwards Wildman Palmer LLP; George N. Chaclas

(22) Filed: **May 1, 2013**

(51) **LOC (10) Cl.** **15-09**

(52) **U.S. Cl.**

USPC **D15/144**

(58) **Field of Classification Search**

USPC D8/29.1, 30; D13/123, 133; D15/144, D15/144.1, 144.2; 156/272.2, 272.4, 359, 156/379.6; 219/125.1, 130, 130.5, 132, 219/133, 241, 421, 424, 426, 601, 606, 633, 219/634, 667; 222/146.5, 152, 156, 189.06, 222/386, 389, 397, 405, 420-426, 430, 222/431; 228/8, 20, 51, 111.5; 266/200; 285/21.2; 432/161; 524/439

See application file for complete search history.

(57) **CLAIM**

The ornamental design for a control unit for pipe fusing, as shown and described.

DESCRIPTION

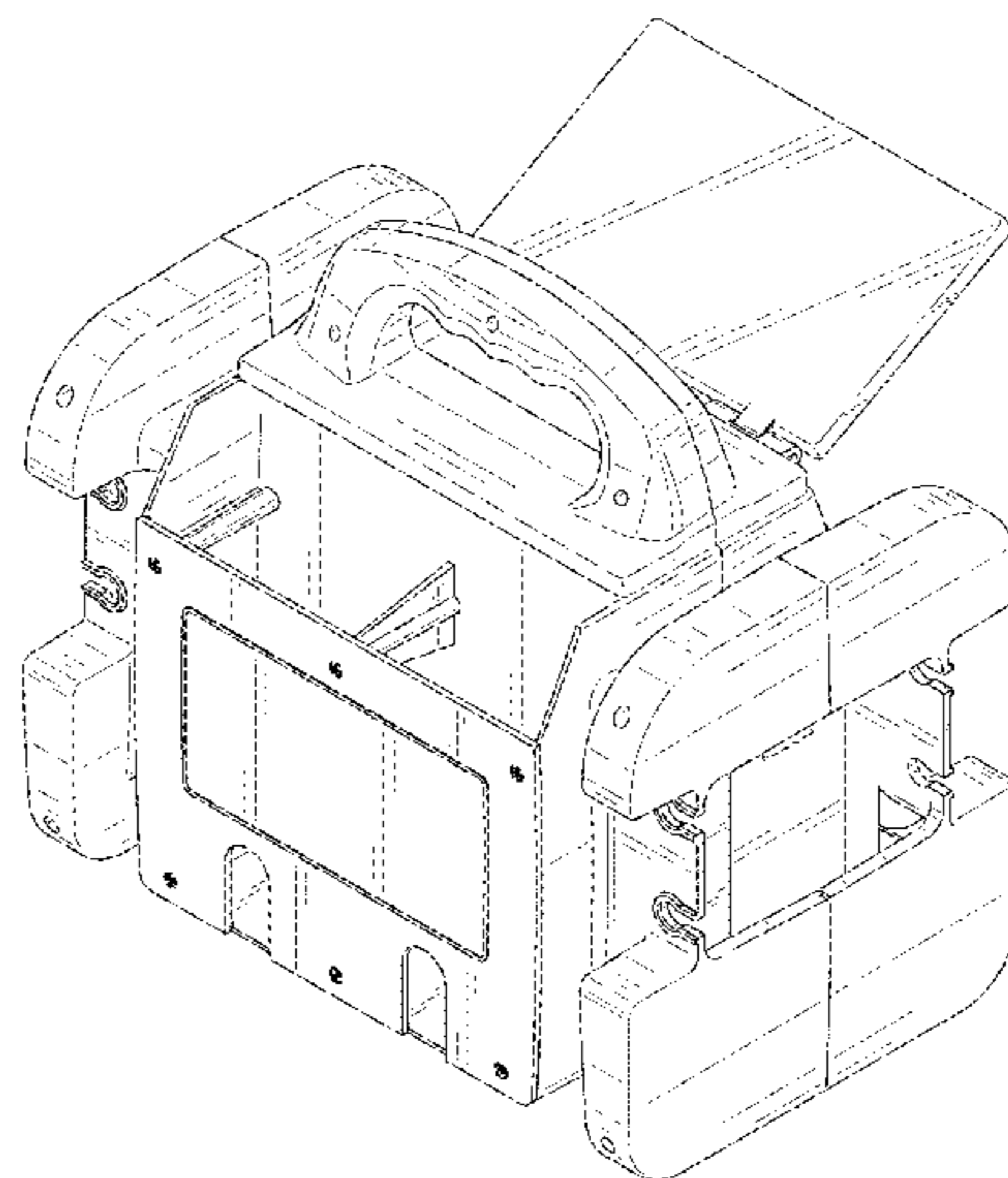
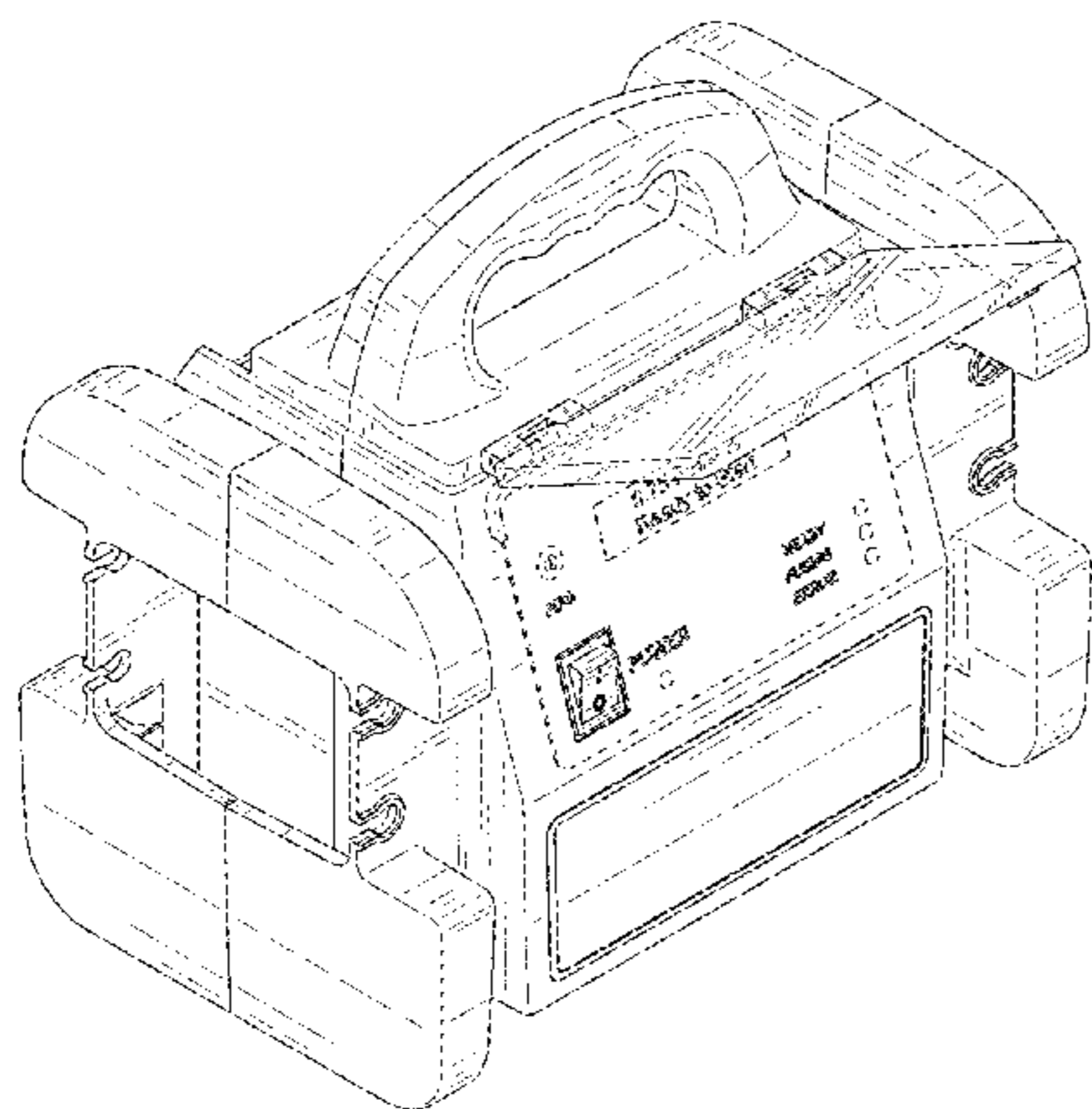
FIG. 1 is a front perspective view of the control unit for pipe fusing according to the present disclosure. FIG. 2 is a back perspective view of the control unit for pipe fusing according to the present disclosure. FIG. 3 is a front view of the control unit for pipe fusing according to the present disclosure. FIG. 4 is a rear view of the control unit for pipe fusing according to the present disclosure. FIG. 5 is a side view of the control unit for pipe fusing according to the present disclosure. FIG. 6 is a side view of the control unit for pipe fusing according to the present disclosure. FIG. 7 is a top view of the control unit for pipe fusing according to the present disclosure; and, FIG. 8 is a bottom view of the control unit for pipe fusing according to the present disclosure. The broken lines shown in the drawing figures are for illustrative purposes only and form no part of the claimed design.

(56) **References Cited**

U.S. PATENT DOCUMENTS

| | | | | | | |
|--------------|----|---|---------|----------------|-------|-----------|
| D386,148 | S | * | 11/1997 | Katooka et al. | | D13/110 |
| D518,078 | S | * | 3/2006 | Persson | | D15/144.1 |
| D520,038 | S | * | 5/2006 | Ljungfeldt | | D15/144.1 |
| D569,884 | S | * | 5/2008 | Shu | | D15/144 |
| 7,984,738 | B2 | | 7/2011 | LaMarca et al. | | |
| D654,519 | S | * | 2/2012 | Wujczak et al. | | D15/144 |
| D679,738 | S | * | 4/2013 | Segala | | D15/144 |
| 2006/0197338 | A1 | | 9/2006 | Ziu et al. | | |
| 2009/0314770 | A1 | | 12/2009 | LaMarca et al. | | |
| 2010/0072742 | A1 | | 3/2010 | LaMarca et al. | | |

1 Claim, 8 Drawing Sheets



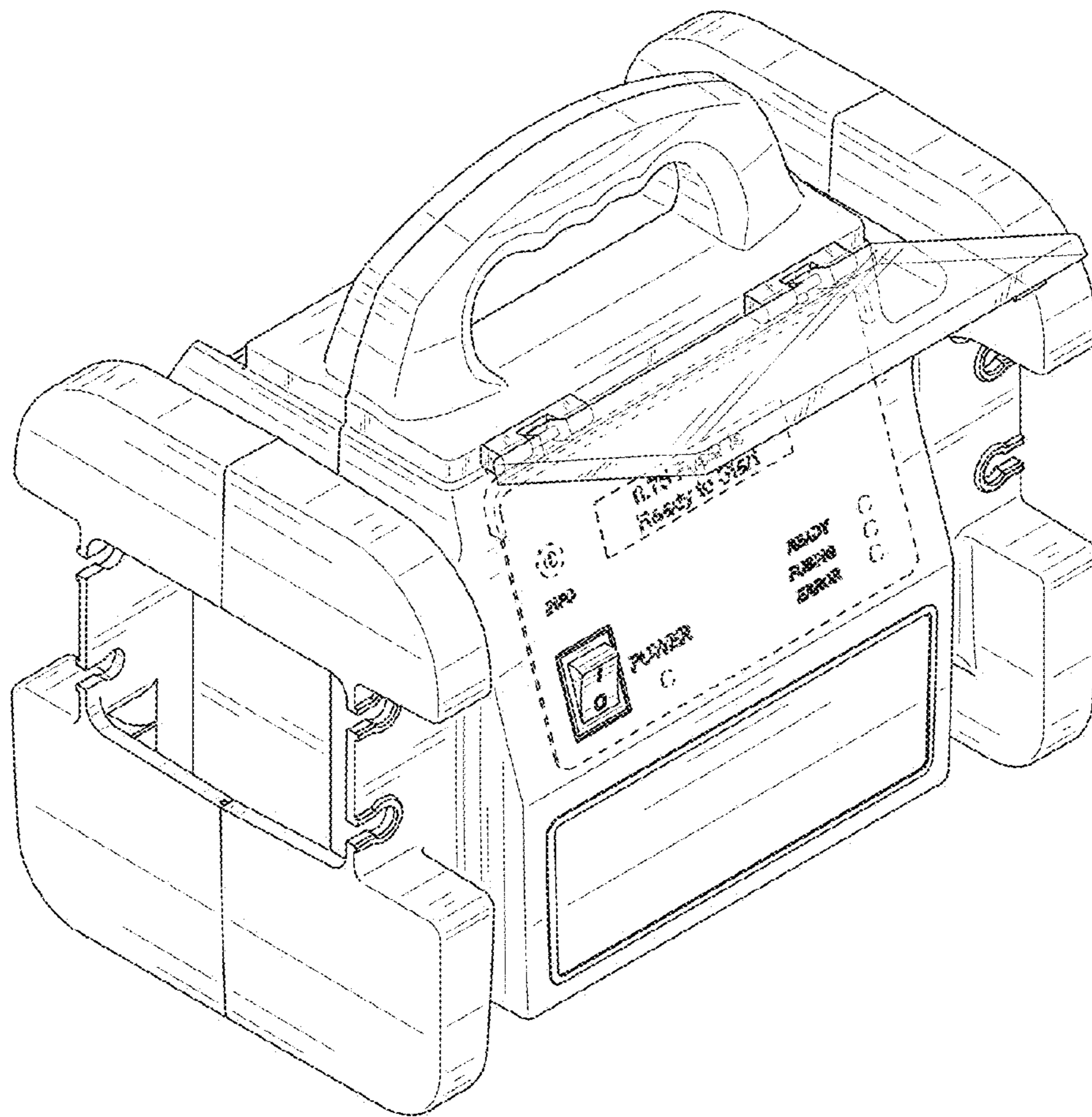


FIG. 1

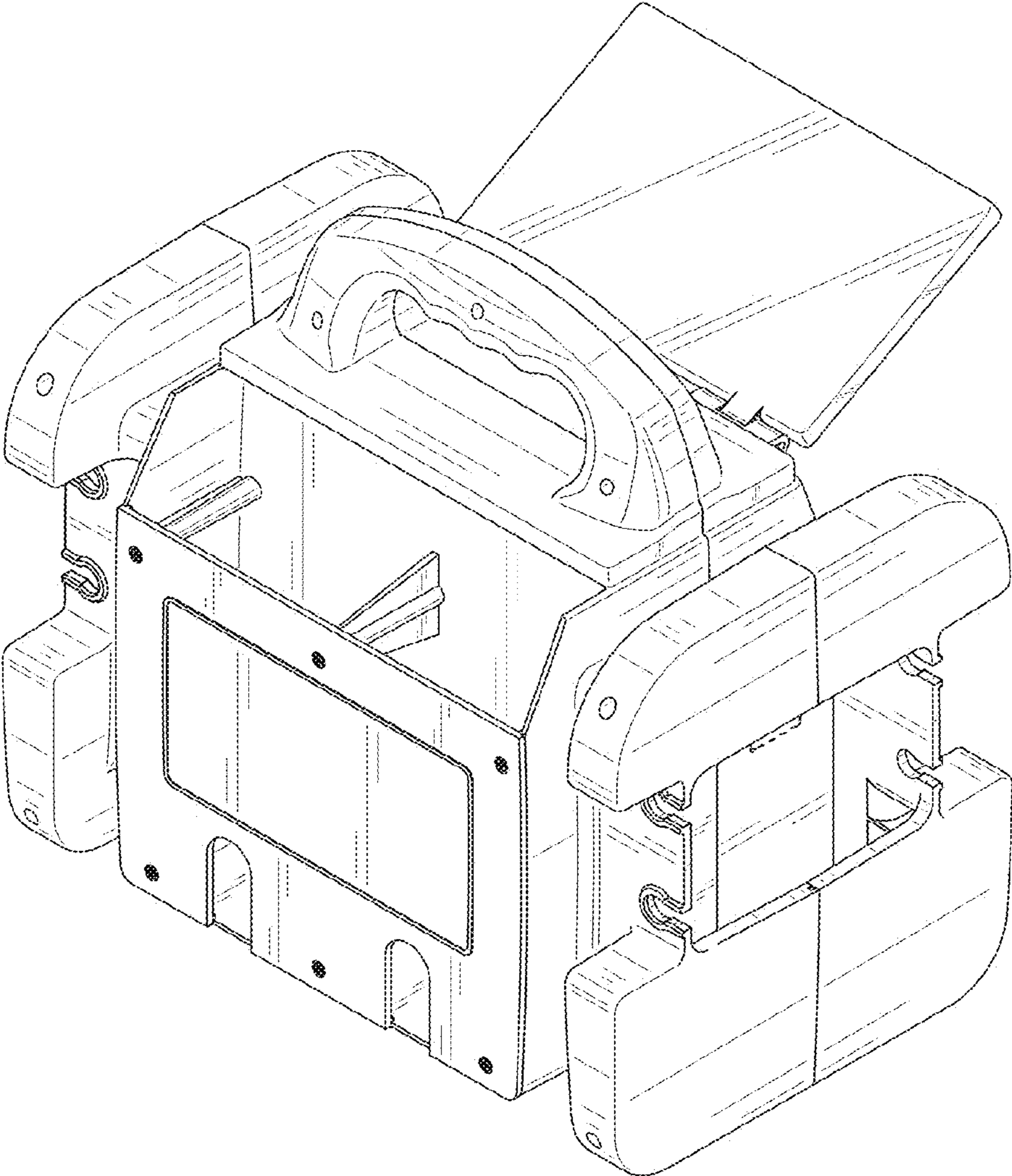


FIG. 2

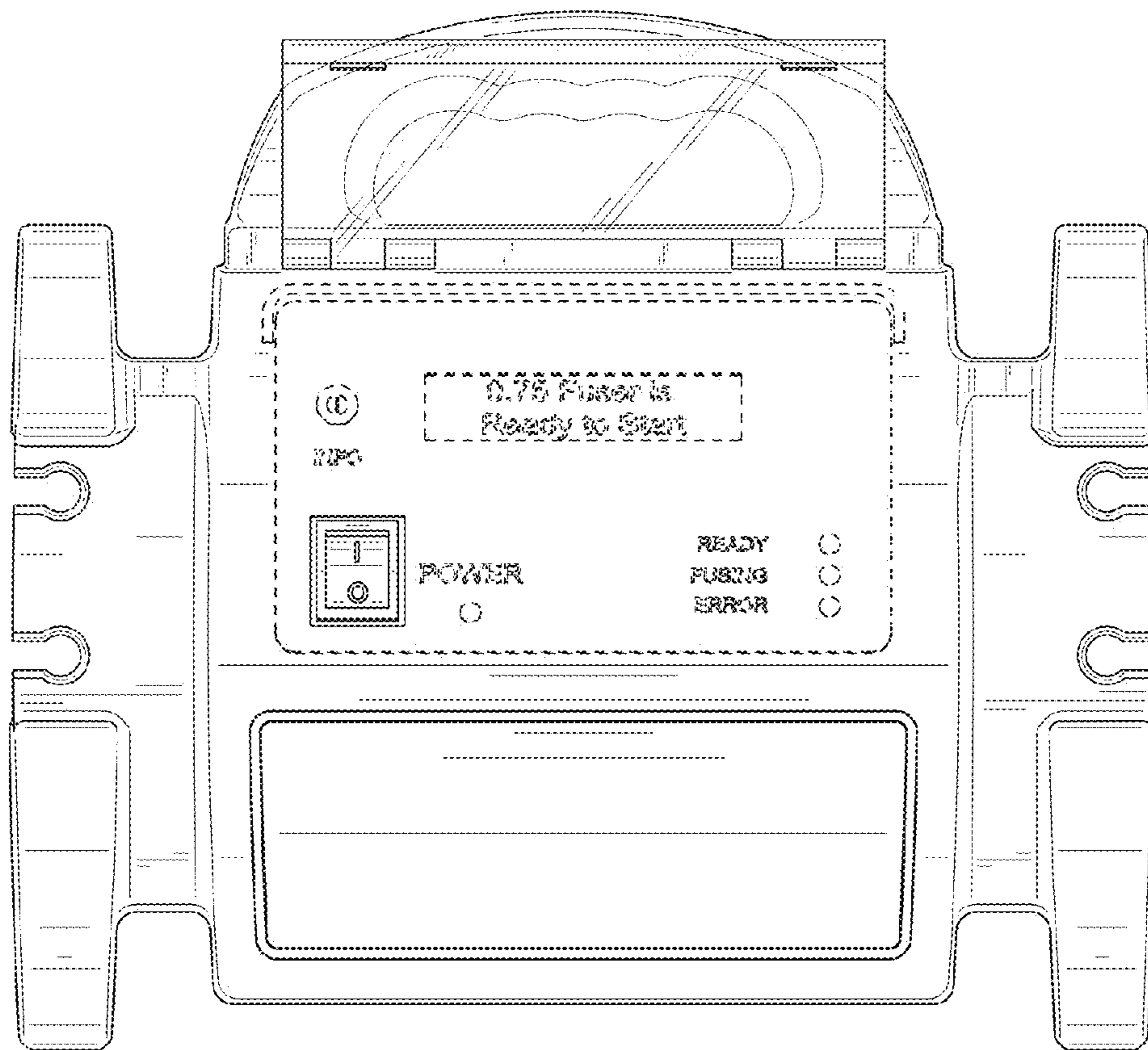


FIG. 3

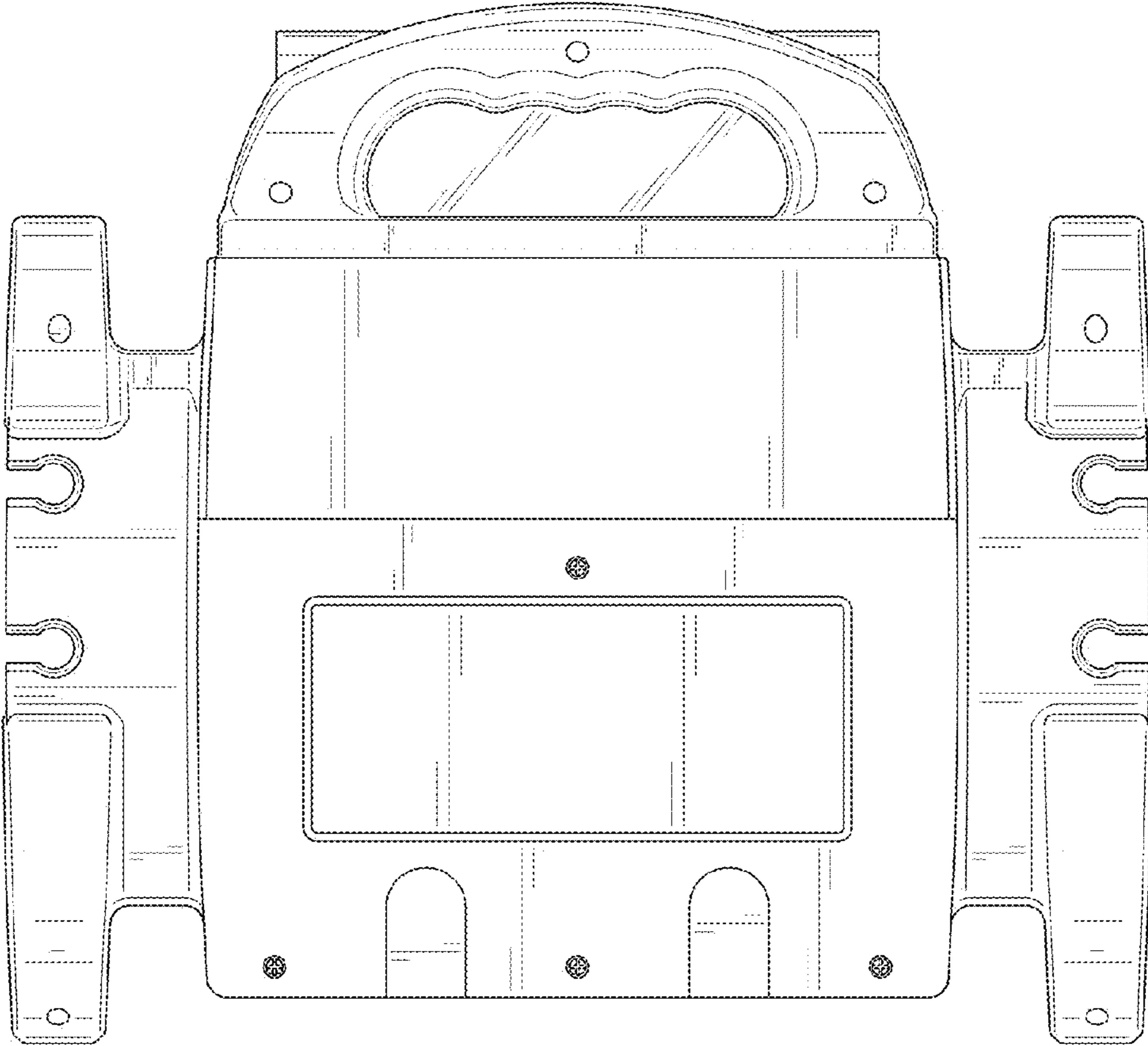


FIG. 4

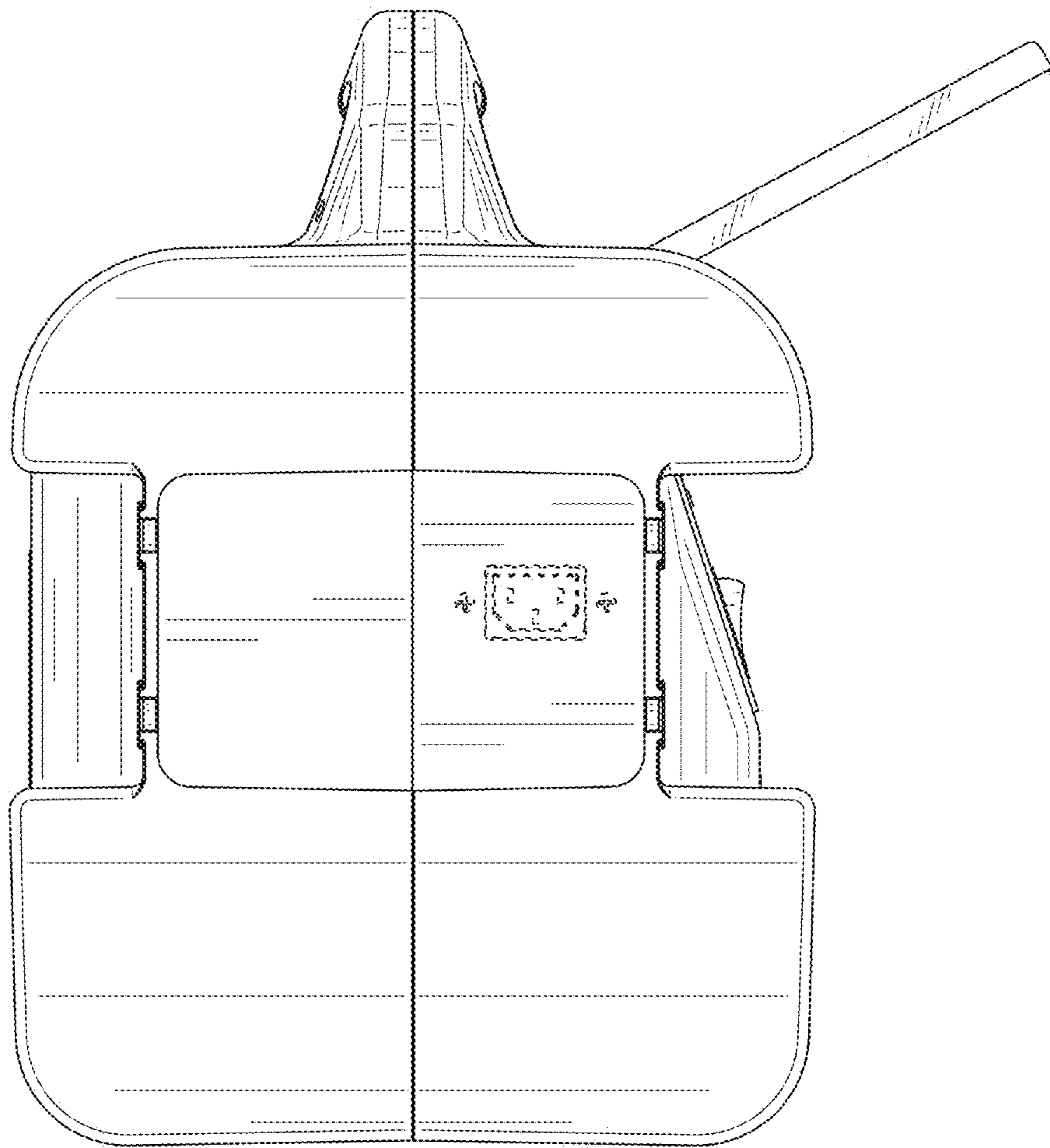


FIG. 5

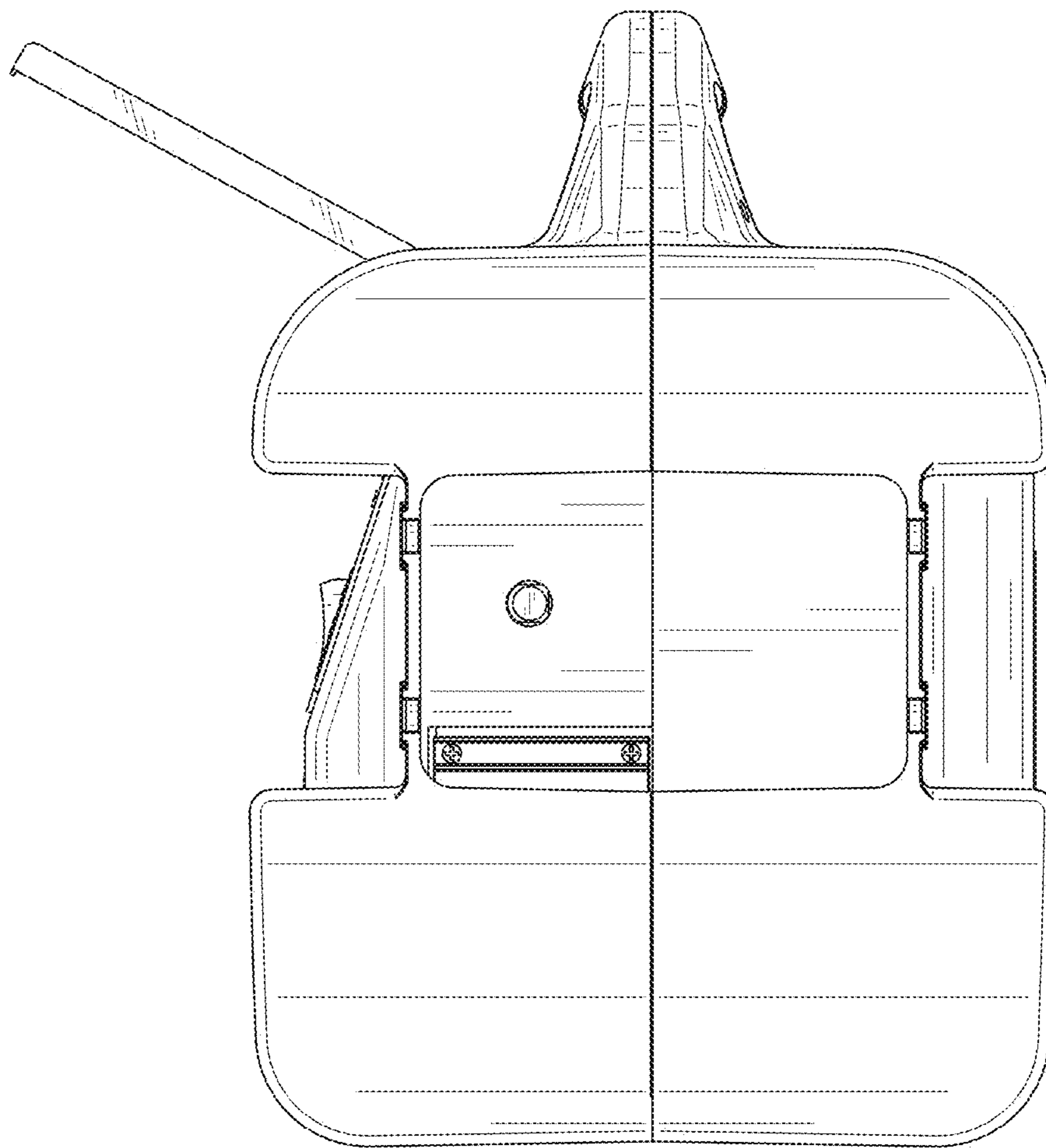


FIG. 6

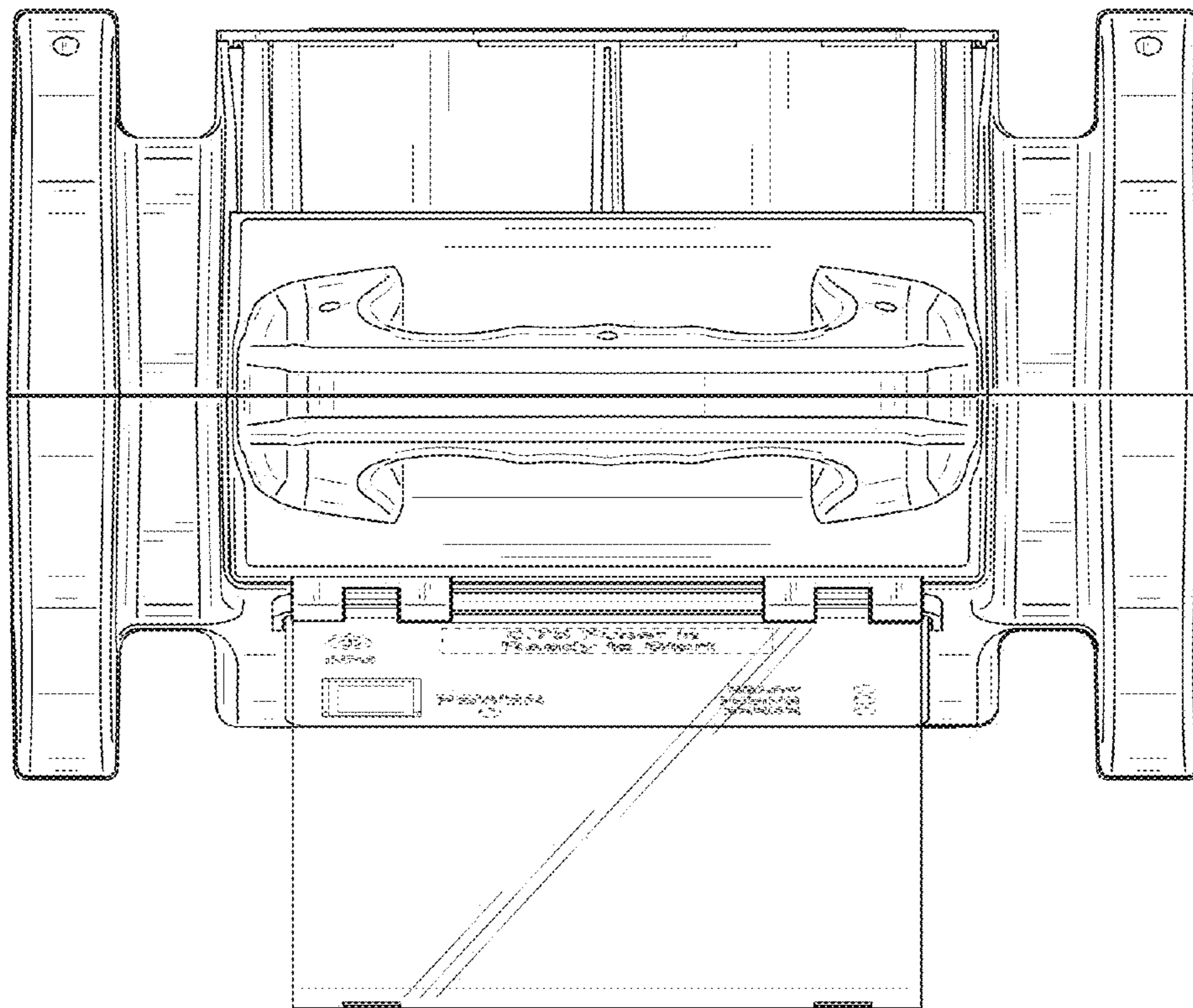


FIG. 7

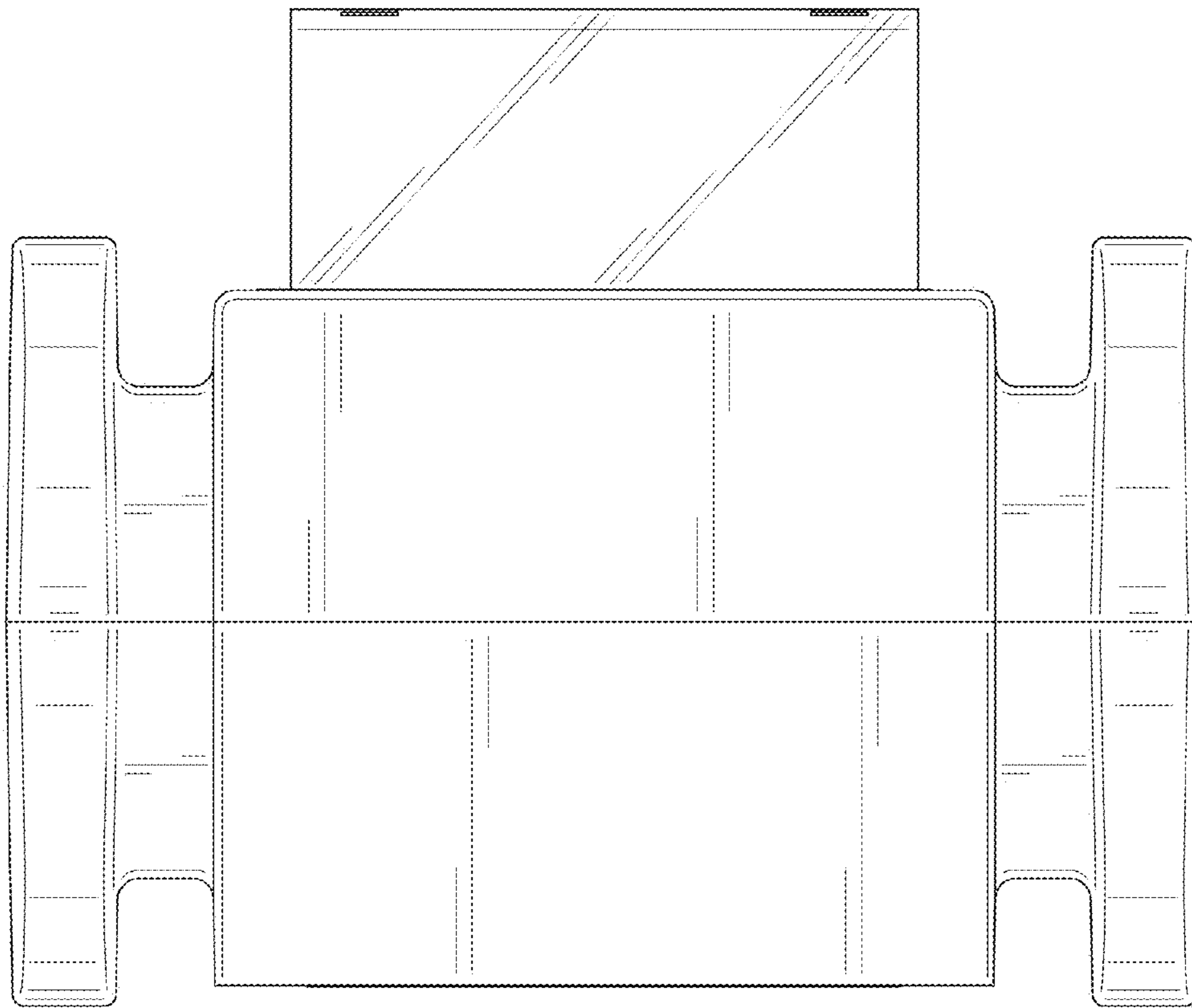


FIG. 8