



US00D699769S

(12) **United States Design Patent**
Witz et al.

(10) **Patent No.:** **US D699,769 S**

(45) **Date of Patent:** **** Feb. 18, 2014**

(54) **MOLD SPLIT INSERT**

(75) Inventors: **Jean-Christophe Witz**, Yutz (FR); **Sven Kmoch**, Platten (DE)

(73) Assignee: **Husky Injection Molding Systems, Ltd.**, Bolton, Ontario (CA)

(**) Term: **14 Years**

(21) Appl. No.: **29/417,850**

(22) Filed: **Apr. 10, 2012**

(51) **LOC (10) Cl.** **15-09**

(52) **U.S. Cl.**

USPC **D15/136**

(58) **Field of Classification Search**

USPC D15/135, 136, 137, 138, 139; 65/260, 65/356, 357; 83/845; 205/70, 164, 165, 205/167, 169; 249/78, 79; 264/51, 220, 264/221; 407/42, 110, 115, 116, 117; 425/135, 146, 171, 181, 218, 253-261, 425/363, 451.9, 471, 542, 543, 547, 548, 425/552, 556, 577, 589-595; 428/71

See application file for complete search history.

(56) **References Cited**

U.S. PATENT DOCUMENTS

D324,392 S * 3/1992 Wilhelm D15/136
RE38,396 E * 1/2004 Gellert 29/411
7,234,930 B2 * 6/2007 Niewels et al. 425/547
D546,847 S * 7/2007 Teng et al. D15/135
D574,228 S * 8/2008 Johansson et al. D8/396

7,713,054 B2 * 5/2010 Mai 425/441
7,798,804 B2 * 9/2010 Kmoch et al. 425/441
8,398,392 B2 * 3/2013 Yankov et al. 425/546
2008/0265463 A1 * 10/2008 Finkelstein 264/320

* cited by examiner

Primary Examiner — Patricia Palasik

(74) *Attorney, Agent, or Firm* — Husky Intellectual Property Services

(57) **CLAIM**

We claim the ornamental design for a mold split insert, as shown and described.

DESCRIPTION

FIG. 1 depicts a front perspective view of a first half of the mold split insert;

FIG. 2 depicts a top view of the first half of the mold split insert;

FIG. 3 depicts a front view of the first half of the mold split insert;

FIG. 4 depicts a front perspective view of a second half of the mold split insert;

FIG. 5 depicts a top view of the second half of the mold split insert;

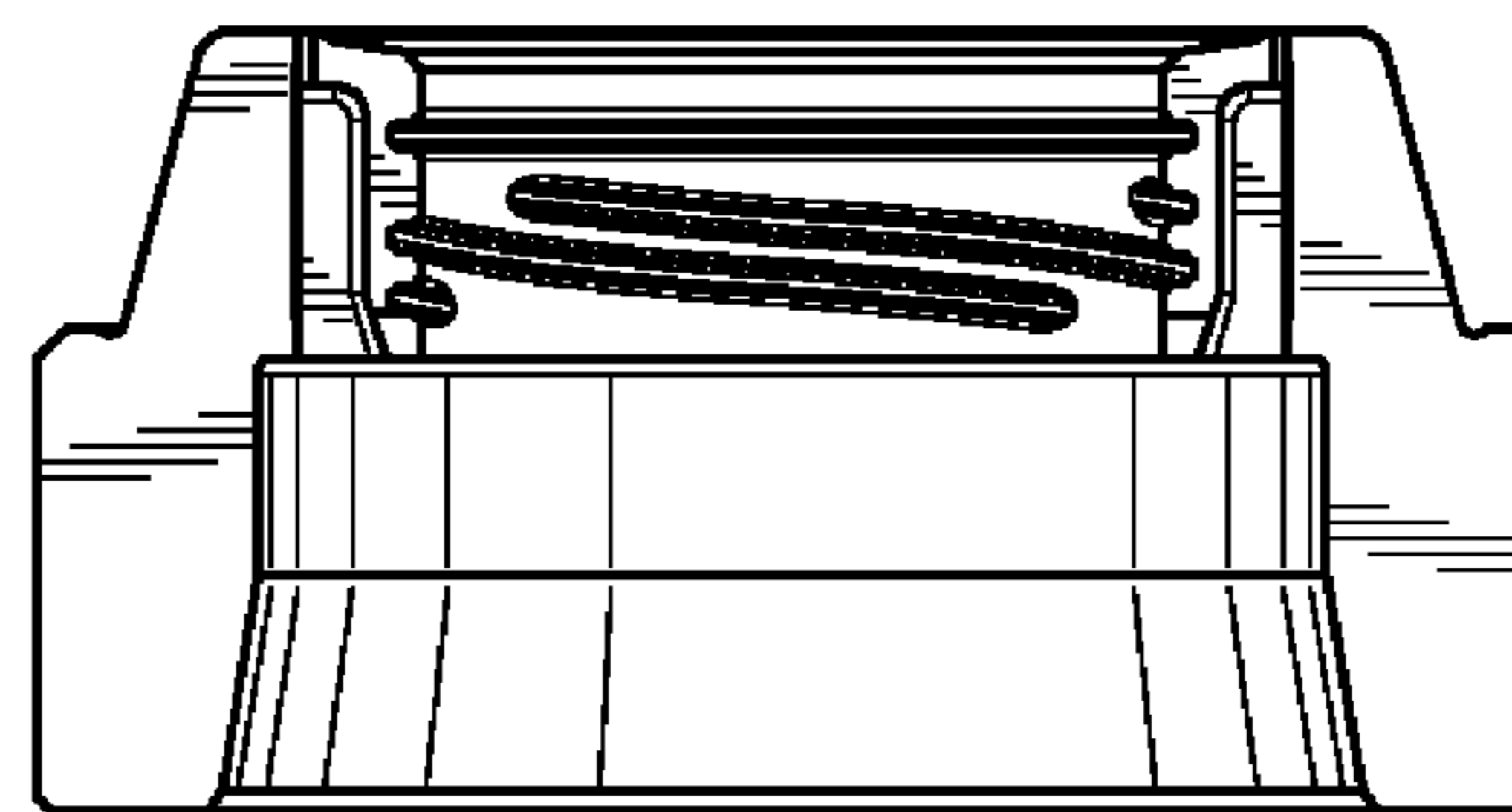
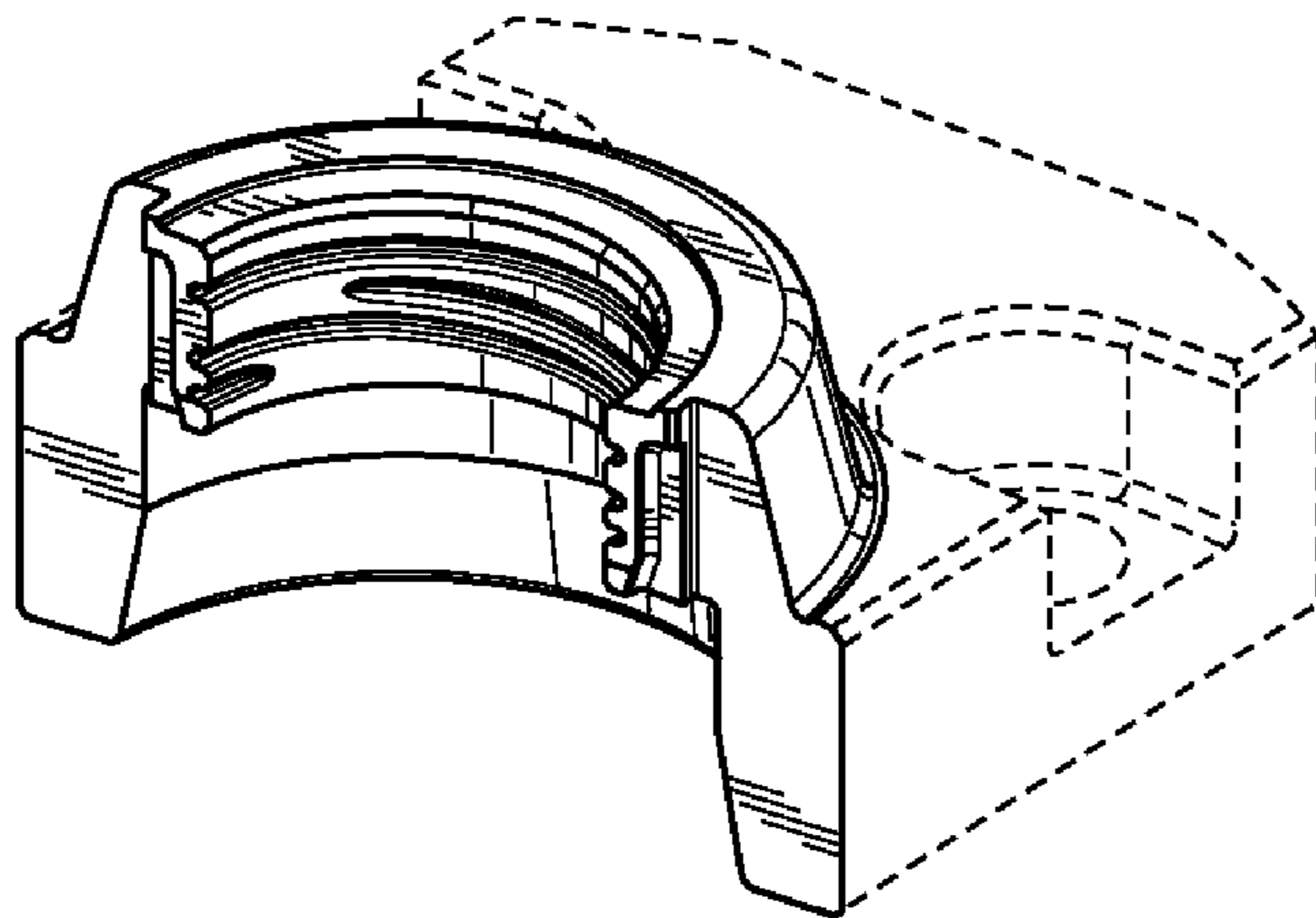
FIG. 6 depicts a front view of the second half of the mold split insert;

FIG. 7 depicts a top view of the mold split insert in a first condition of use; and,

FIG. 8 depicts a top view of the mold split insert in a second condition of use.

The broken lines in the drawings depict unclaimed environmental subject matter.

1 Claim, 2 Drawing Sheets



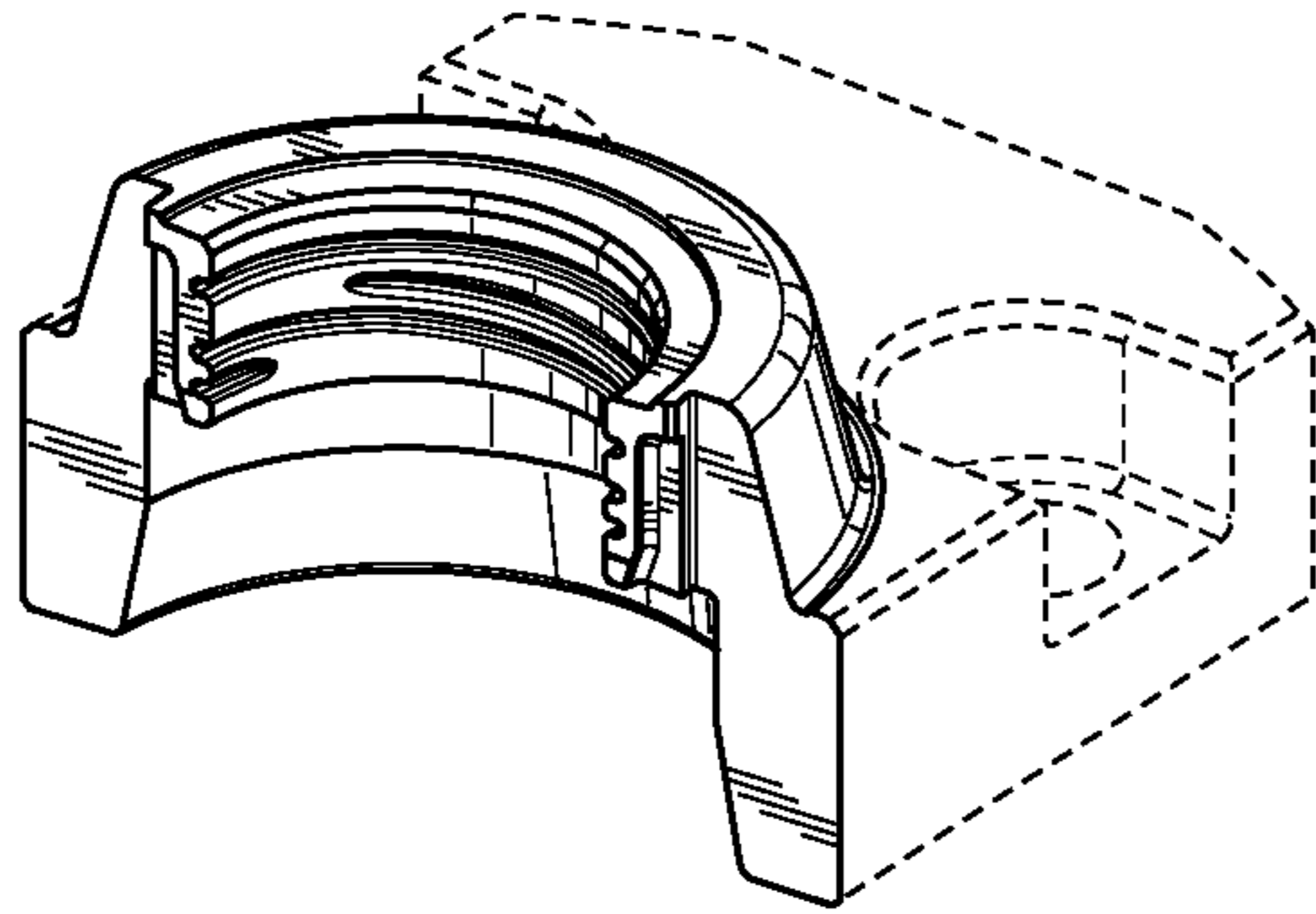


FIG. 1

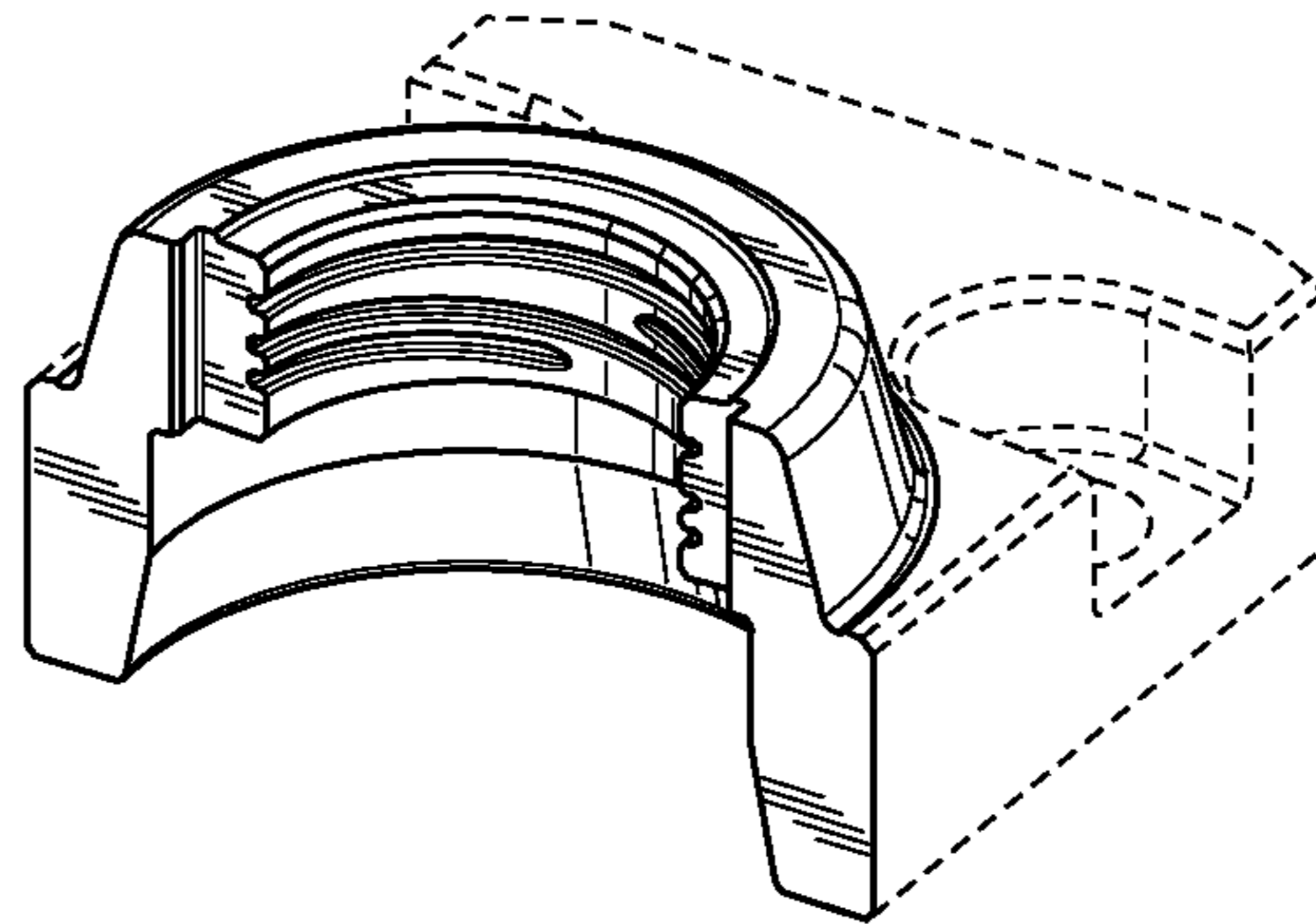


FIG. 4

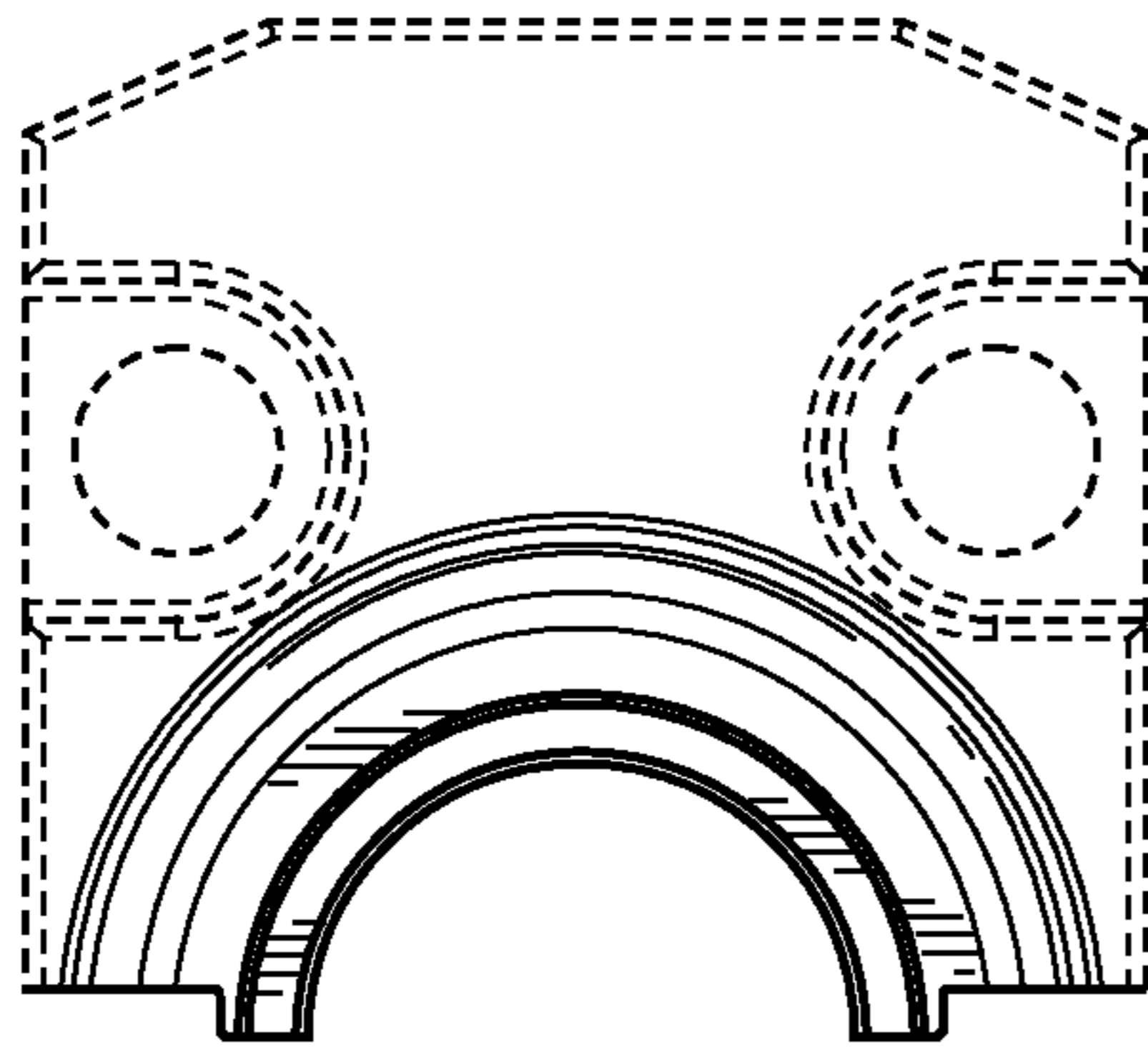


FIG. 2

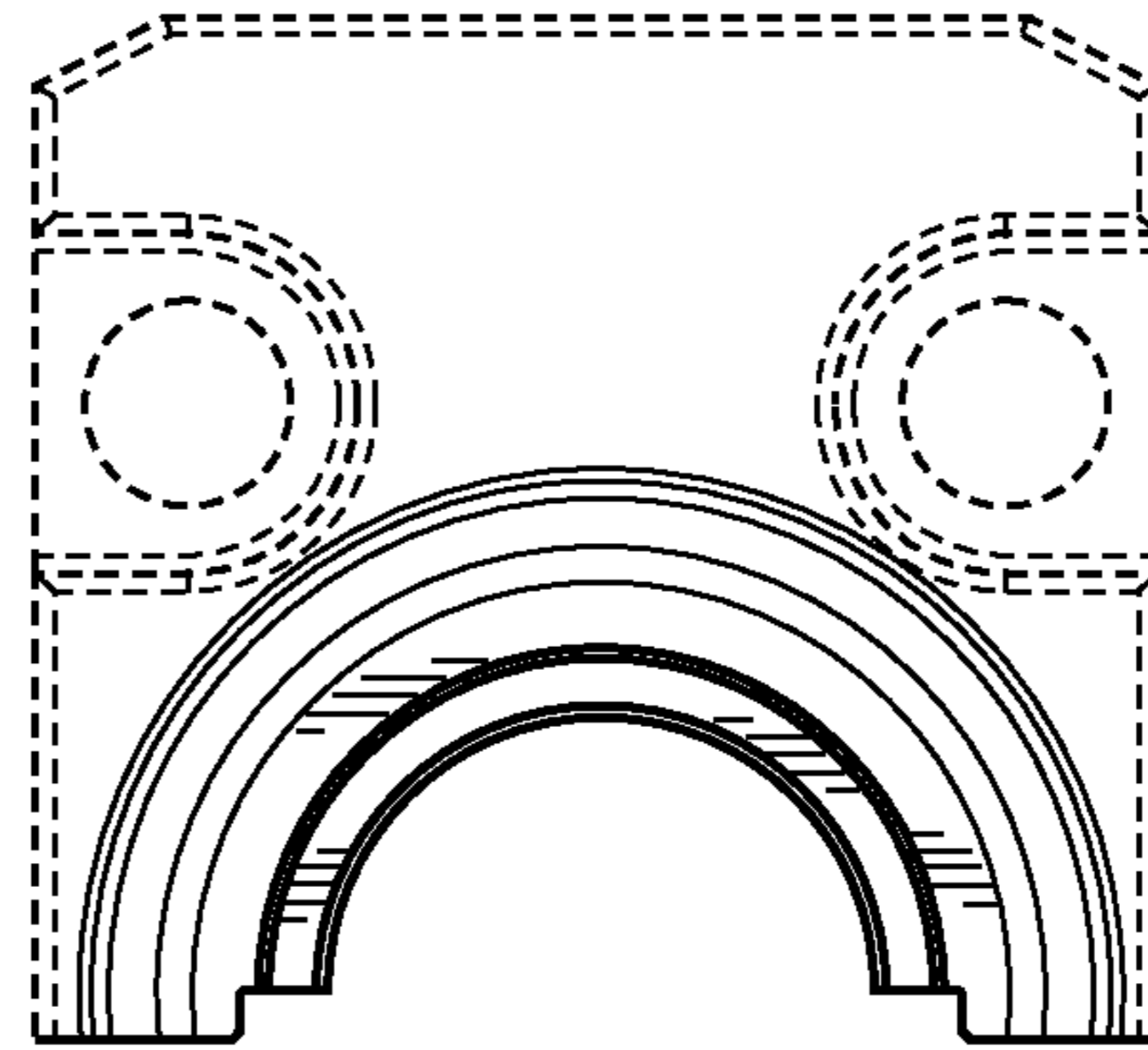


FIG. 5

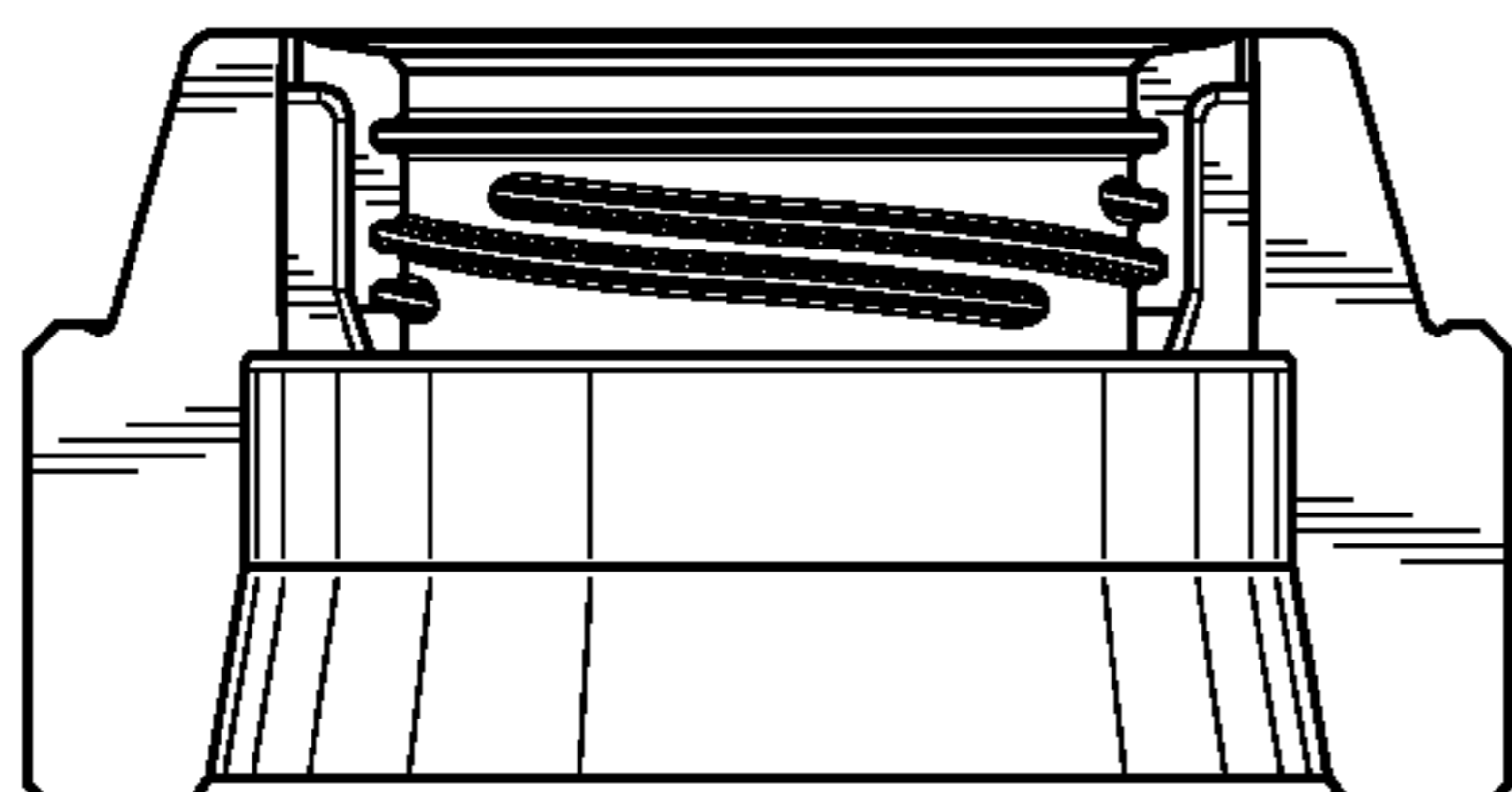


FIG. 3

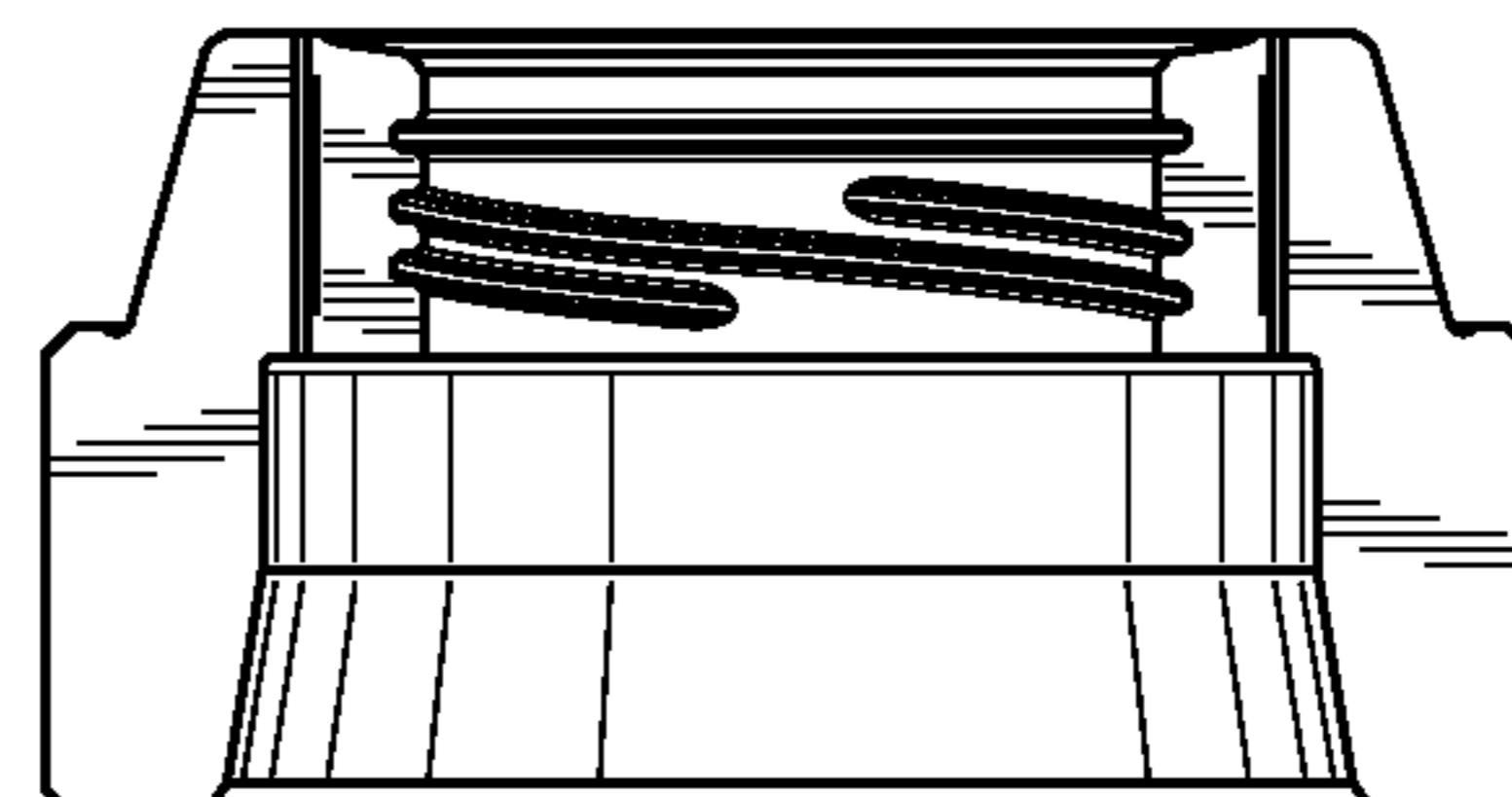


FIG. 6

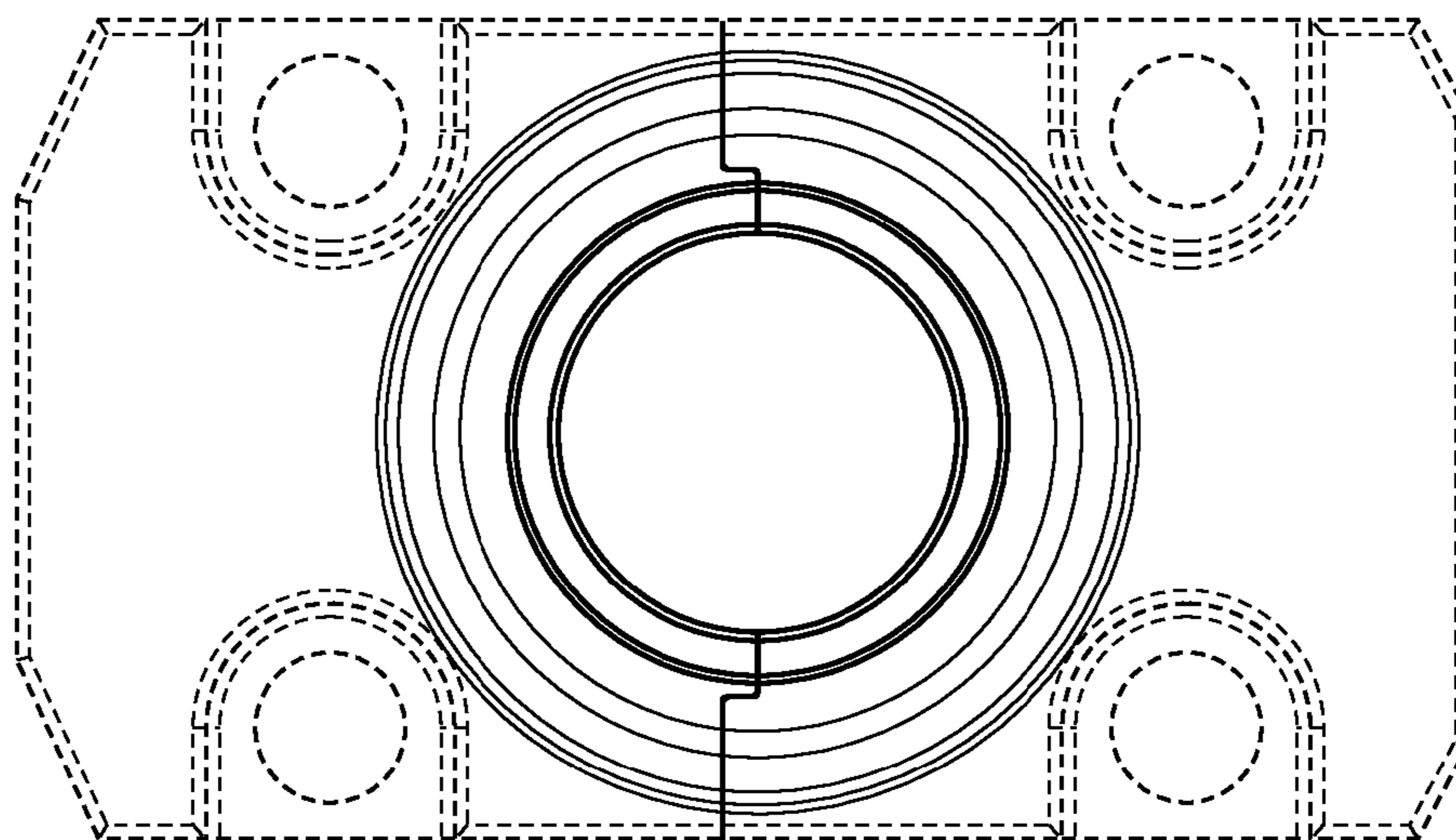


FIG. 7

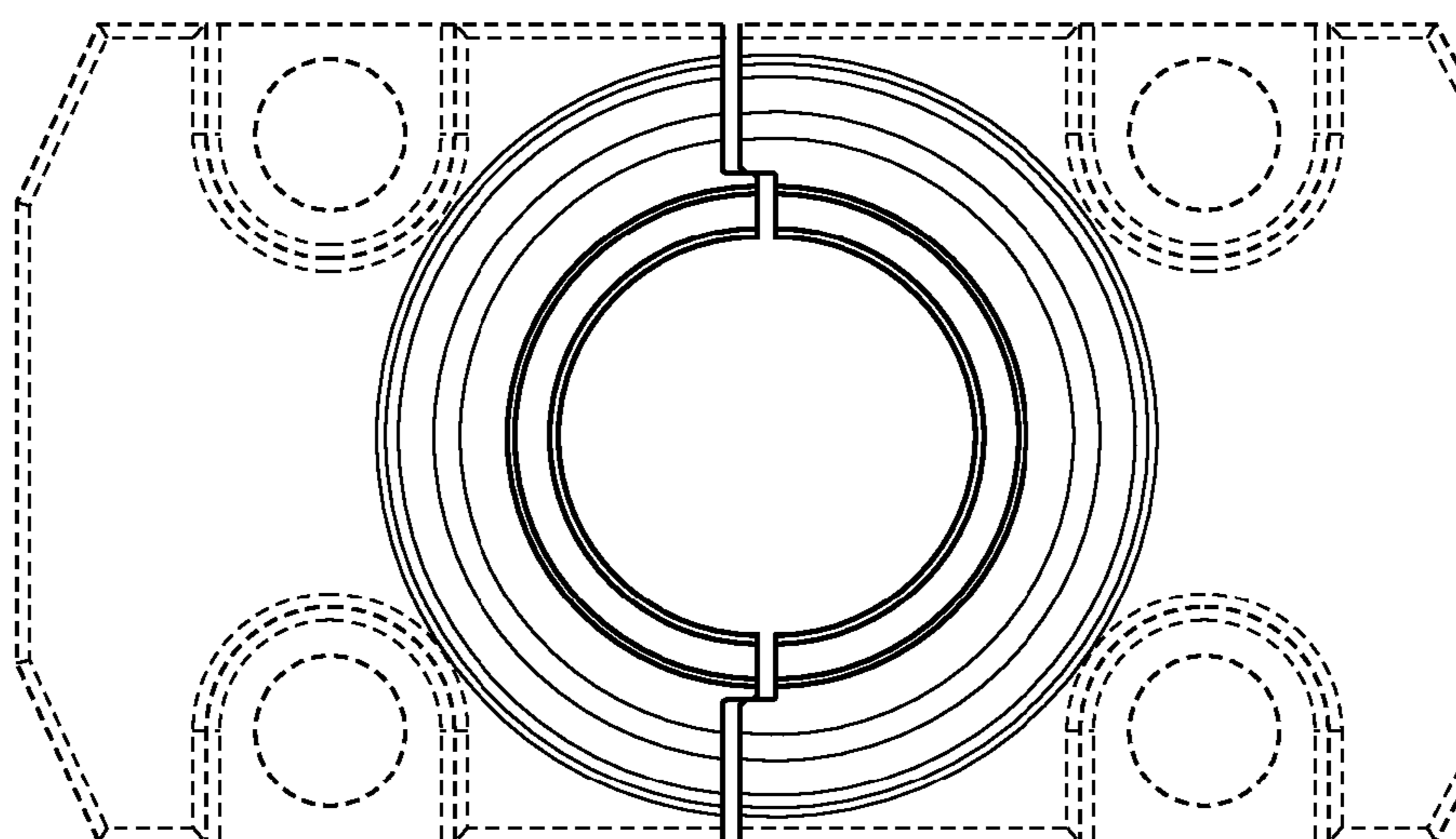


FIG. 8