



US00D699768S

(12) **United States Design Patent**
Zhang et al.

(10) **Patent No.:** **US D699,768 S**

(45) **Date of Patent:** **** Feb. 18, 2014**

(54) **AUTOMATICALLY TRACKING PRECISE
LAYOUT LASER TOOL**

(71) Applicant: **Changzhou Huada Kejie Opto-electro
Instrument Co. Ltd., Jiangsu (CN)**

(72) Inventors: **Ou Zhang, Jiangsu (CN); Feng Gao,
Jiangsu (CN)**

(73) Assignee: **Changzhou Huada Kejie Opto-electro
Instrument Co. Ltd., Jiangsu (CN)**

(**) Term: **14 Years**

(21) Appl. No.: **29/460,072**

(22) Filed: **Jul. 8, 2013**

(30) **Foreign Application Priority Data**

Jan. 23, 2013 (CN) 2013 3 0019212

(51) **LOC (10) Cl.** **15-09**

(52) **U.S. Cl.**
USPC **D15/127; D16/66**

(58) **Field of Classification Search**
USPC D10/66; D15/122, 127, 199; 219/121.6,
219/121.63, 121.64, 121.67, 121.68, 121.7,
219/121.82, 121.83, 121.85
See application file for complete search history.

(56) **References Cited**

U.S. PATENT DOCUMENTS

3,422,246 A * 1/1969 Wetzel 219/121.67
D332,615 S * 1/1993 Fang et al. D15/122
5,183,993 A * 2/1993 Sato et al. 219/121.82
5,227,606 A * 7/1993 Weeks et al. 219/121.67
5,354,964 A * 10/1994 Kyoren et al. 219/121.84

D419,573 S * 1/2000 Kawahara et al. D15/122
6,140,606 A * 10/2000 Heikilla et al. 219/121.82
6,392,192 B1 * 5/2002 Cole et al. 219/121.83
D464,363 S * 10/2002 Saito et al. D15/122
D557,295 S * 12/2007 Formanek D15/127
7,505,504 B2 * 3/2009 Sakai et al. 372/55
D603,430 S * 11/2009 Masauji D15/122
D603,431 S * 11/2009 Masauji D15/122
D619,629 S * 7/2010 Sindors et al. D15/127
D621,864 S * 8/2010 Daiber et al. D15/199
D637,637 S * 5/2011 Daiber et al. D15/199
2005/0072767 A1 * 4/2005 Leibinger et al. 219/121.67
2005/0072768 A1 * 4/2005 Zeygerman et al. 219/121.67
2005/0103764 A1 * 5/2005 Zeygerman 219/121.78
2005/0247681 A1 * 11/2005 Boillot et al. 219/121.63
2007/0000888 A1 * 1/2007 Yamazaki et al. 219/121.78
2007/0248126 A1 * 10/2007 Liu et al. 372/10
2008/0066596 A1 * 3/2008 Yamaguchi et al. 83/34

* cited by examiner

Primary Examiner — Patricia Palasik

(74) *Attorney, Agent, or Firm* — Snyder, Clark, Lesch & Chung, LLP

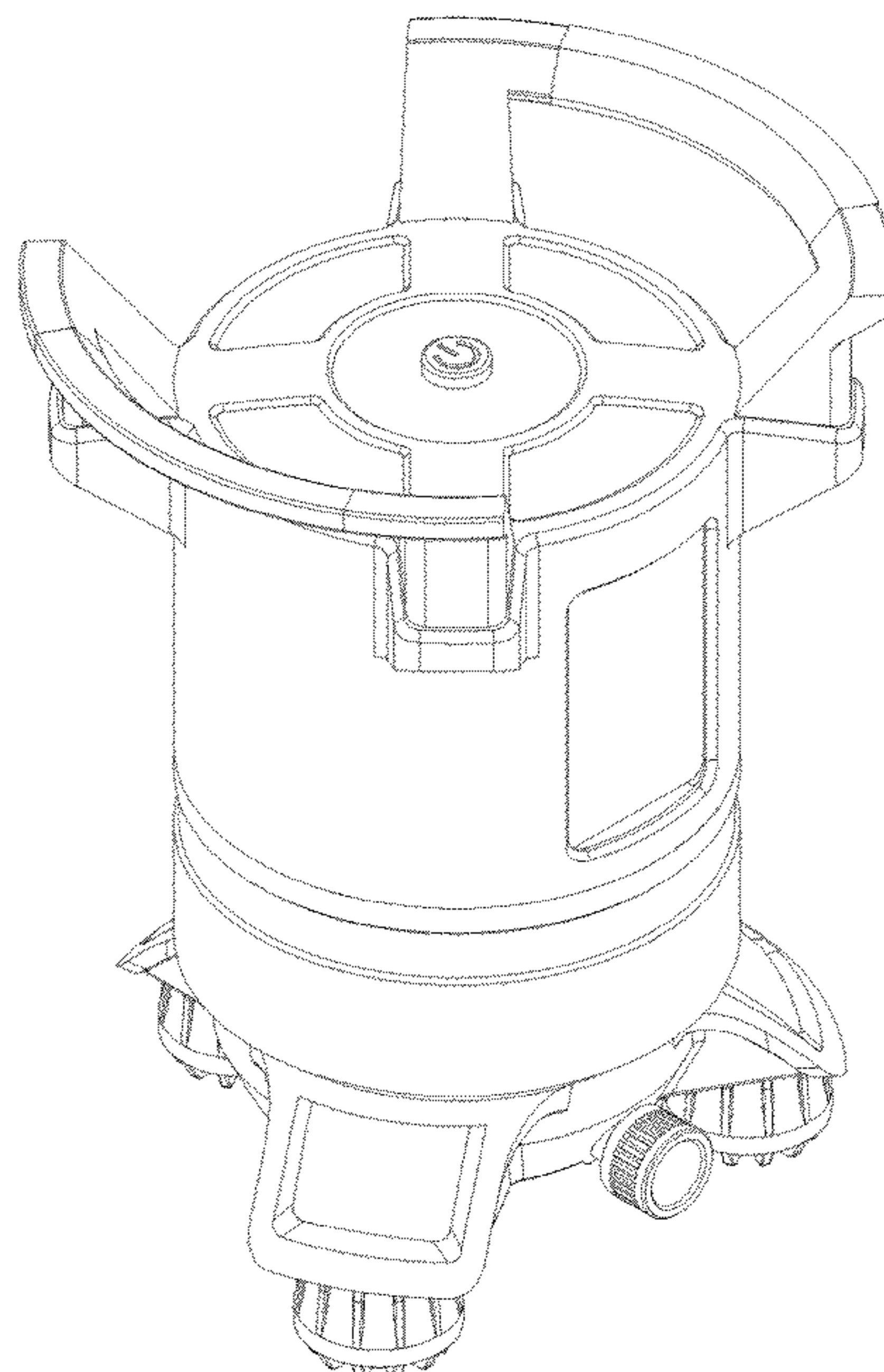
(57) **CLAIM**

The ornamental design for an automatically tracking precise layout laser tool, as shown and described.

DESCRIPTION

FIG. 1 is a front view of the automatically tracking precise layout laser tool of the present invention;
FIG. 2 is a rear view of the laser tool of FIG. 1;
FIG. 3 is a left side view of the laser tool of FIG. 1;
FIG. 4 is a right side view of the laser tool of FIG. 1;
FIG. 5 is a top view of the laser tool of FIG. 1;
FIG. 6 is a bottom view of the laser tool of FIG. 1; and,
FIG. 7 is a top, rear and left side perspective view of the laser tool of FIG. 1.

1 Claim, 7 Drawing Sheets



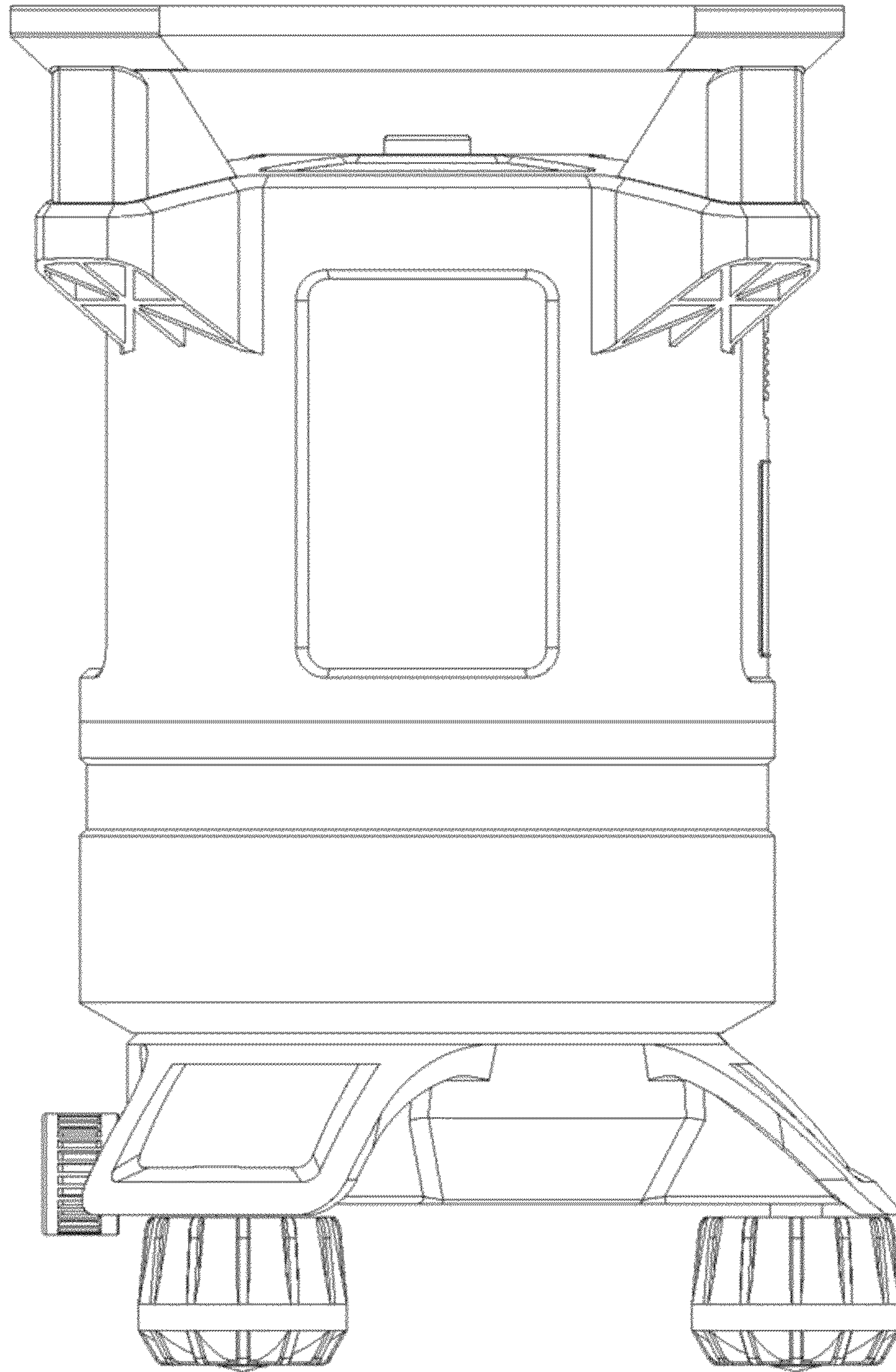


FIG. 1

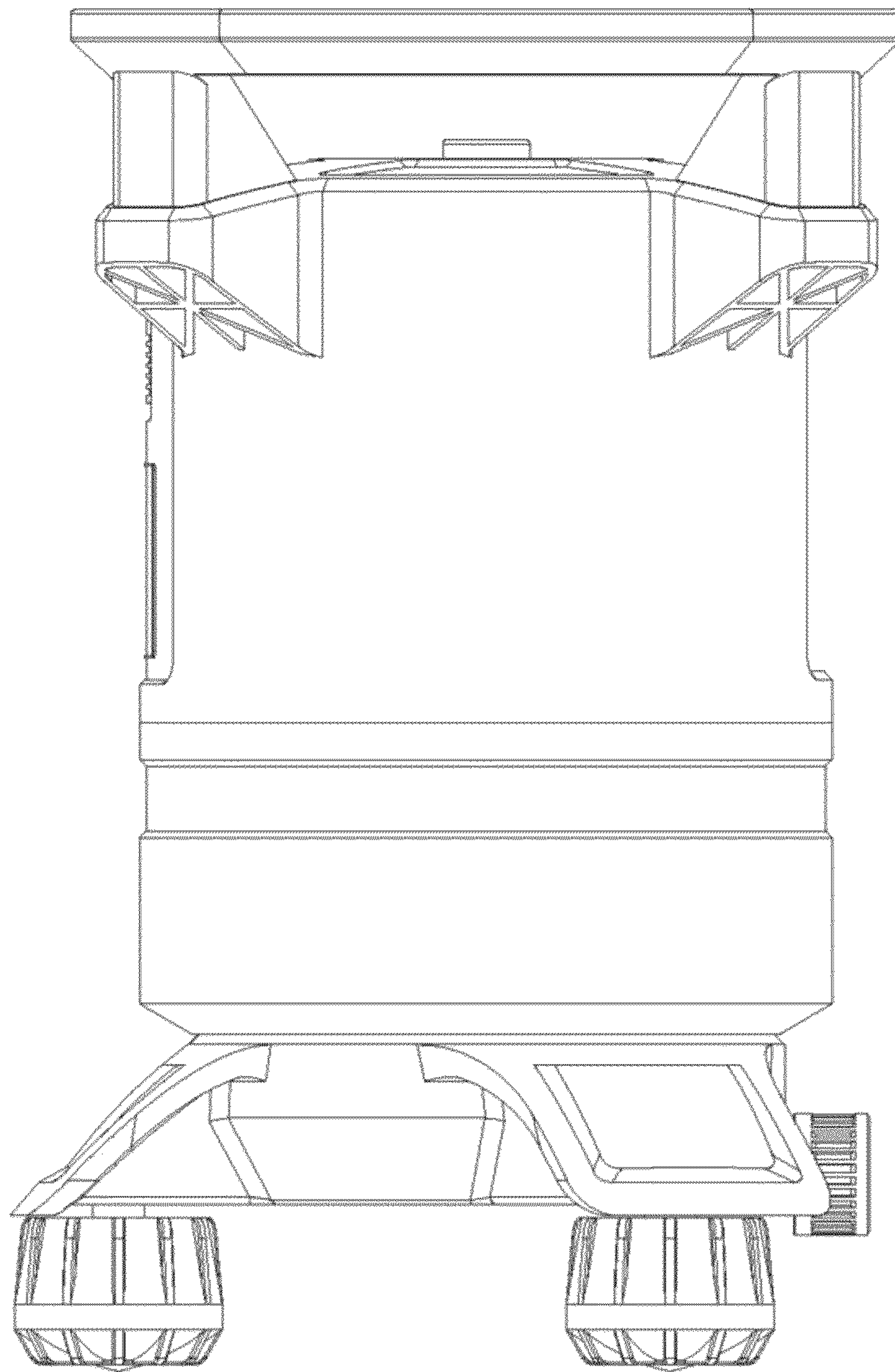


FIG. 2

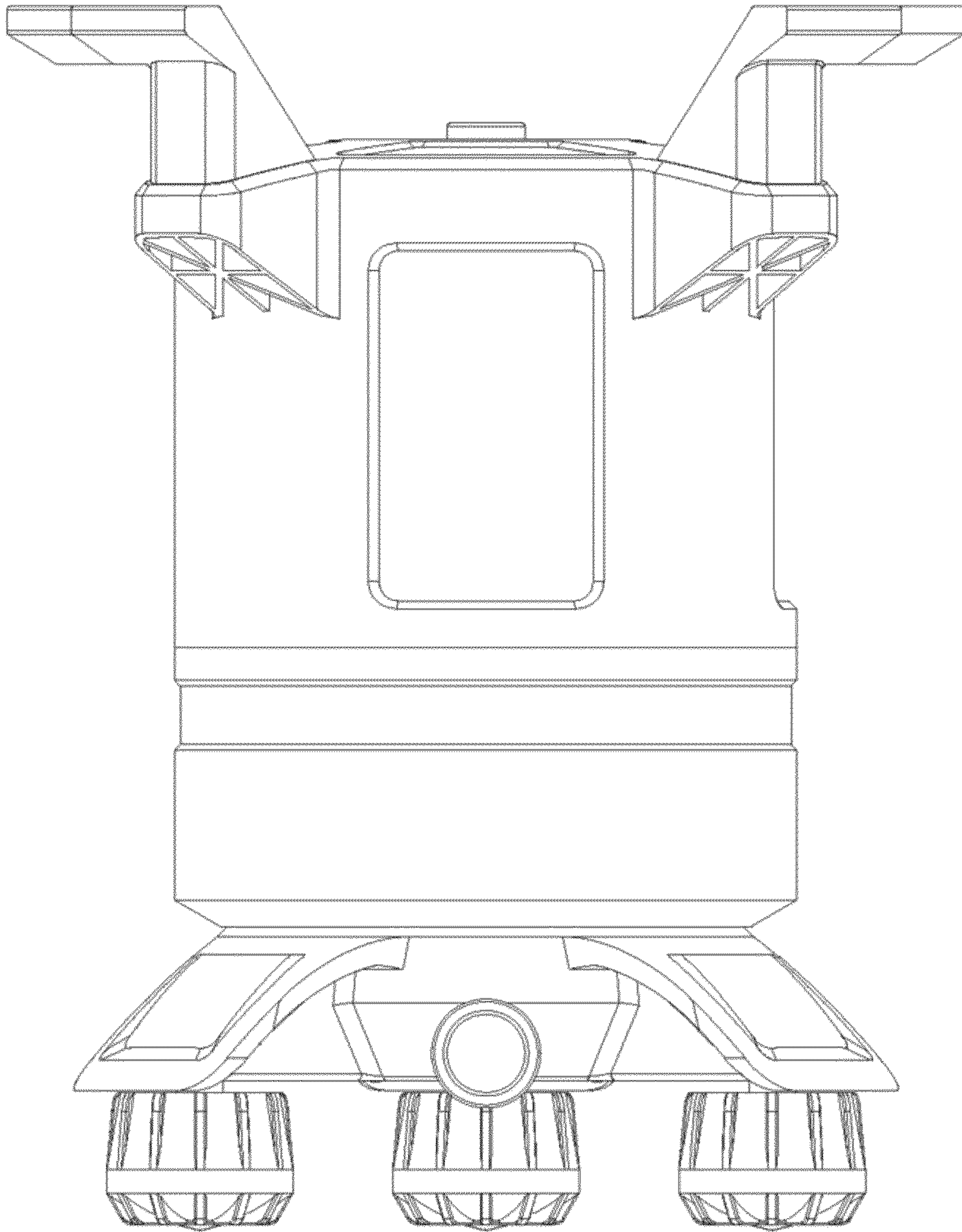


FIG. 3

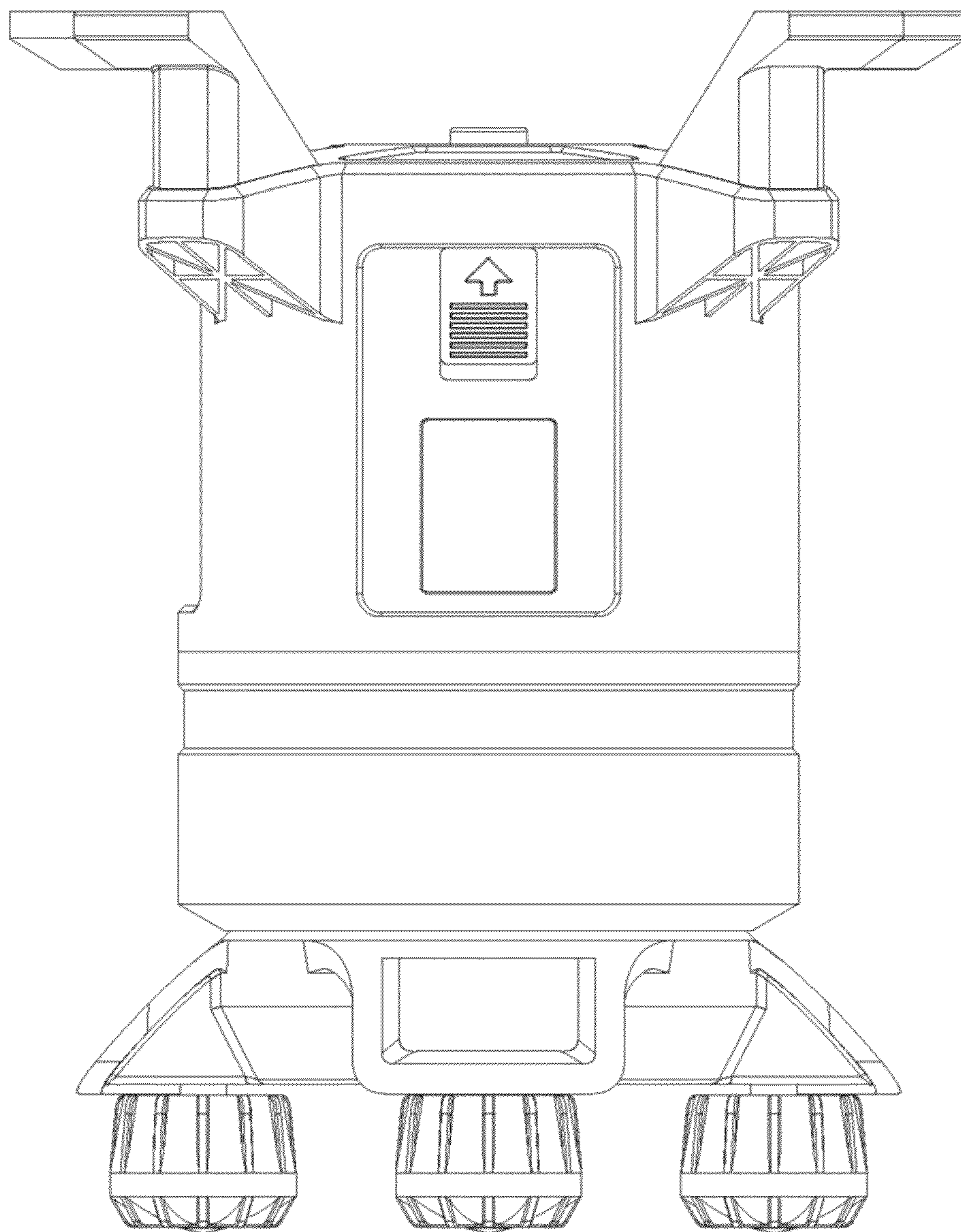


FIG. 4

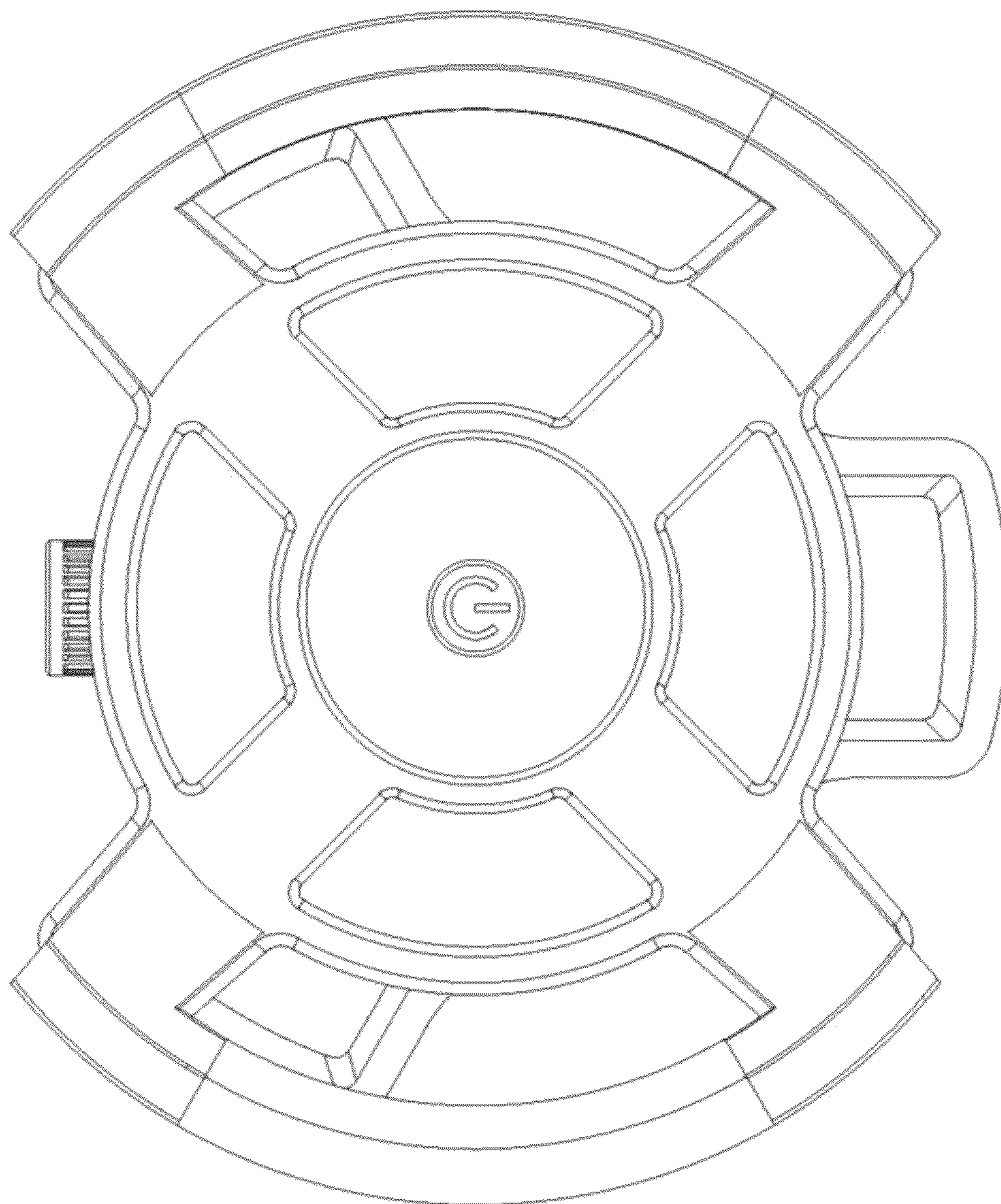


FIG. 5

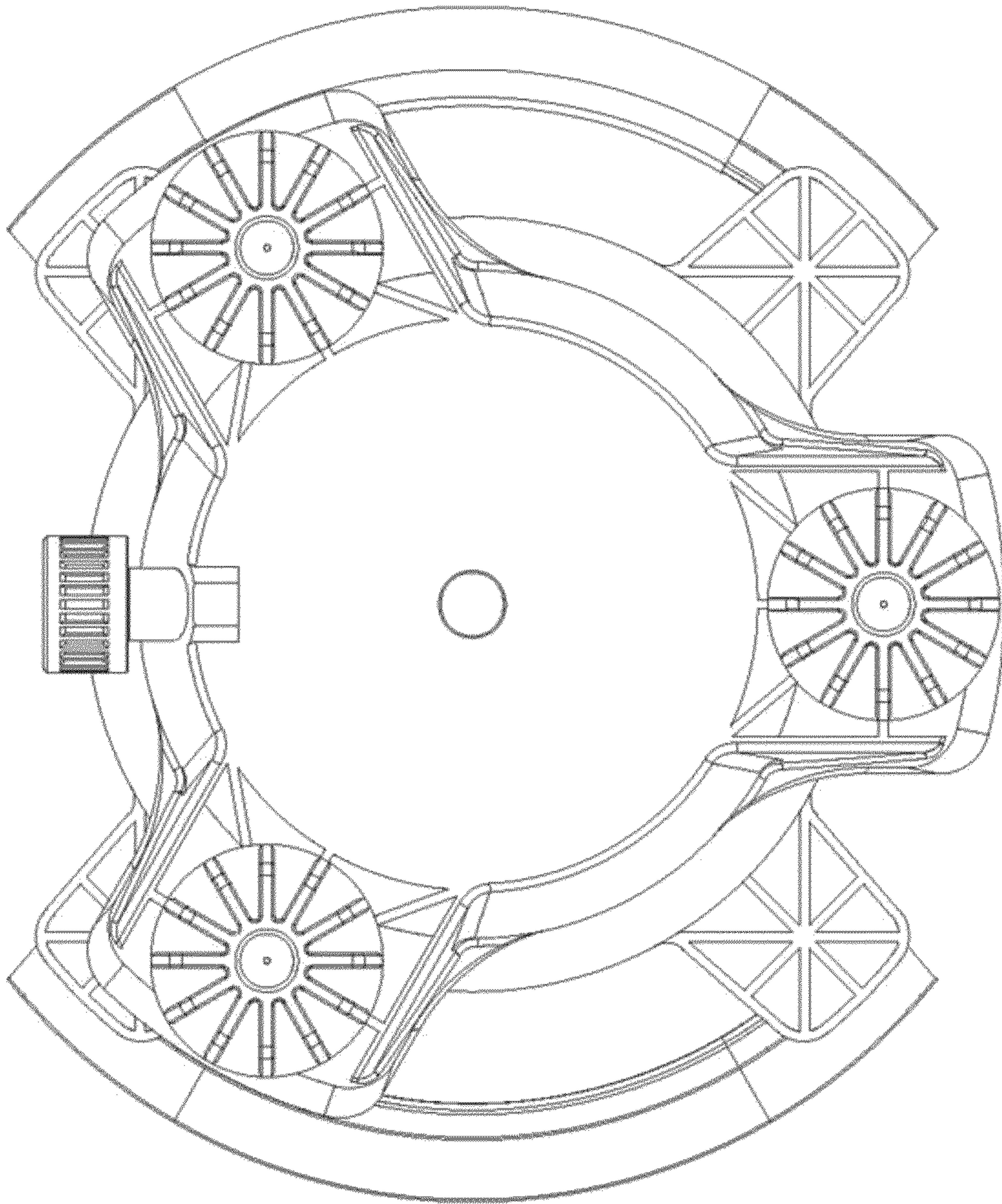


FIG. 6

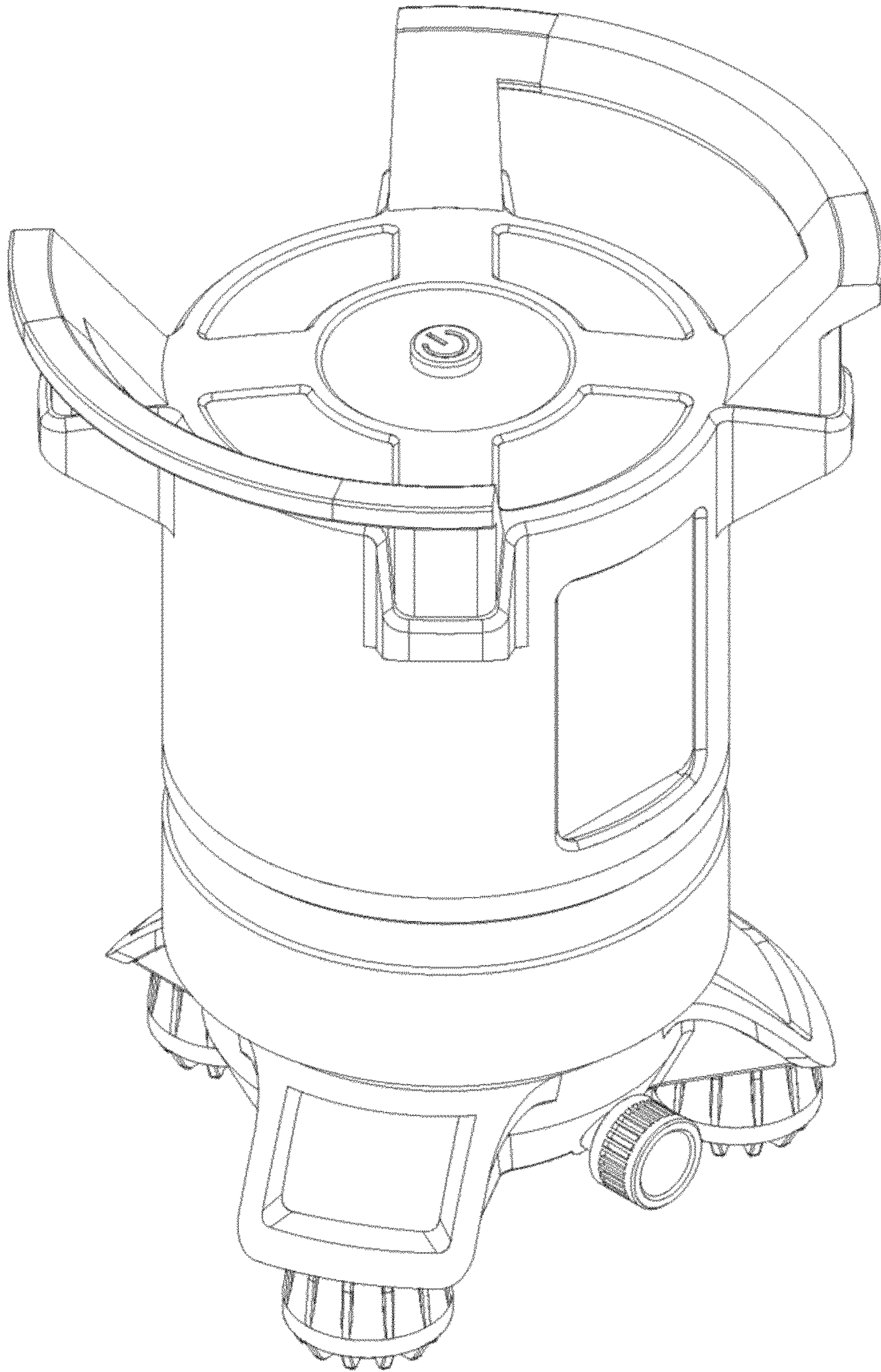


FIG. 7