

US00D699766S

(12) **United States Design Patent**  
**Ryan et al.**

(10) **Patent No.:** **US D699,766 S**

(45) **Date of Patent:** **\*\* Feb. 18, 2014**

- (54) **TRACTOR SIDE PANEL LOUVER**
- (71) Applicant: **Deere & Company**, Moline, IL (US)
- (72) Inventors: **Alex M. Ryan**, Waterloo, IA (US);  
**Randy C. Rush**, Cedar Falls, IA (US);  
**James W. Wienkes**, Dike, IA (US);  
**William E. Crookes**, Ann Arbor, MI (US)
- (73) Assignee: **Deere & Company**, Moline, IL (US)
- (\*\*) Term: **14 Years**
- (21) Appl. No.: **29/467,007**
- (22) Filed: **Sep. 13, 2013**
- (51) **LOC (10) Cl.** ..... **15-03**
- (52) **U.S. Cl.**  
USPC ..... **D15/31**
- (58) **Field of Classification Search**  
USPC ..... D15/10, 11, 13-17, 28, 22-26, 31;  
D12/173; 56/13.3, 13.4, 15.8, 15.9,  
56/320.1; 180/89.1, 89.12, 900, 69.2,  
180/68.1, 69.1  
See application file for complete search history.

D488,489 S *	4/2004	Montgomery et al. ....	D15/31
D495,344 S *	8/2004	Farlow et al. ....	D15/31
D495,345 S *	8/2004	Farlow et al. ....	D15/31
D497,370 S *	10/2004	Katoh .....	D15/31
D512,079 S *	11/2005	Farlow et al. ....	D15/31
D512,445 S *	12/2005	Farlow et al. ....	D15/31
D520,527 S *	5/2006	Crookes et al. ....	D15/31
D554,669 S *	11/2007	Crookes et al. ....	D15/31
D560,693 S *	1/2008	Moen et al. ....	D15/31
D570,382 S *	6/2008	Higashikawa .....	D15/31
D591,777 S *	5/2009	Kokitkar et al. ....	D15/31
D620,503 S *	7/2010	Krogh et al. ....	D15/31
D620,955 S *	8/2010	Krogh et al. ....	D15/31
D631,489 S *	1/2011	Booth et al. ....	D15/31
D632,312 S *	2/2011	Booth et al. ....	D15/31
D642,598 S *	8/2011	Wikner et al. ....	D15/31
D682,323 S *	5/2013	Ryan et al. ....	D15/31
D682,324 S *	5/2013	Ryan et al. ....	D15/31
D690,327 S *	9/2013	Kim et al. ....	D15/31
D690,328 S *	9/2013	Cha et al. ....	D15/31

\* cited by examiner

*Primary Examiner* — Mark Goodwin

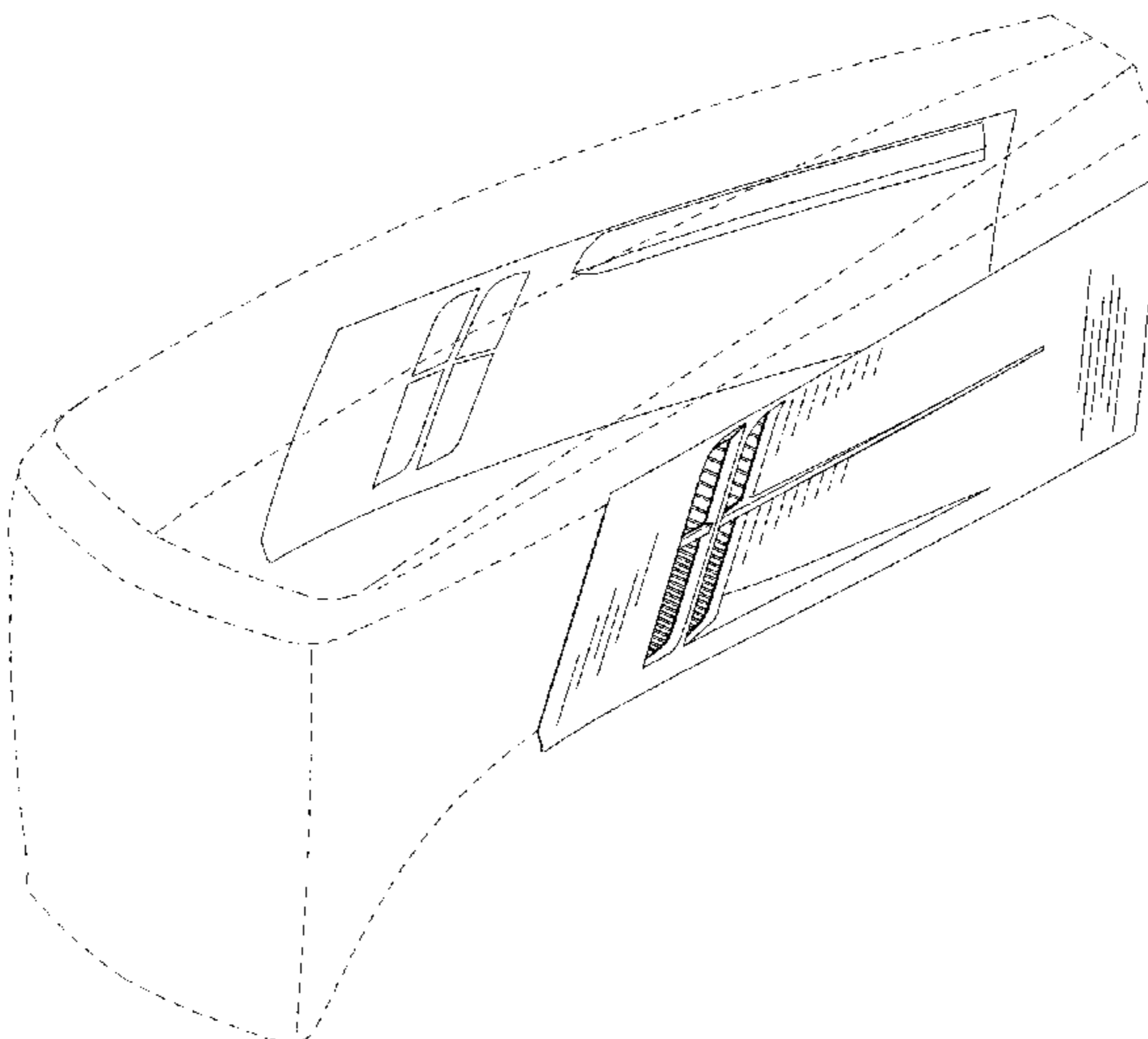
(57) **CLAIM**  
The ornamental design for a tractor side panel louver, as shown and described.

**DESCRIPTION**

FIG. 1 is a perspective view of a tractor side panel louver showing our new design.  
 FIG. 2 is a side view thereof  
 FIG. 3 is an opposite side view thereof.  
 FIG. 4 is a rear view thereof.  
 FIG. 5 is a front view thereof.  
 FIG. 6 is a top plan view thereof; and,  
 FIG. 7 is a bottom plan view thereof.  
 The broken line showing of a hood is included for the purpose of illustrating environmental structure only and forms no part of the claimed design.

**1 Claim, 6 Drawing Sheets**

- (56) **References Cited**  
U.S. PATENT DOCUMENTS
- D246,370 S \* 11/1977 Lorenz ..... D15/31
- D297,330 S \* 8/1988 Monehaie et al. .... D15/31
- D381,025 S \* 7/1997 Bataille ..... D15/31 |- D383,470 S \* 9/1997 Westimayer et al. .... D15/31
- D389,492 S \* 1/1998 Schmidt et al. .... D15/31
- D413,905 S \* 9/1999 Schmidt et al. .... D15/31
- 6,167,977 B1 \* 1/2001 Adamson et al. .... 180/69.2
- D448,037 S \* 9/2001 Westimayer et al. .... D15/31
- D451,106 S \* 11/2001 Crookes et al. .... D15/31
- D458,944 S \* 6/2002 Crookes et al. .... D15/31
- D483,383 S \* 12/2003 Crookes et al. .... D15/31
- D488,488 S \* 4/2004 Montgomery et al. .... D15/31



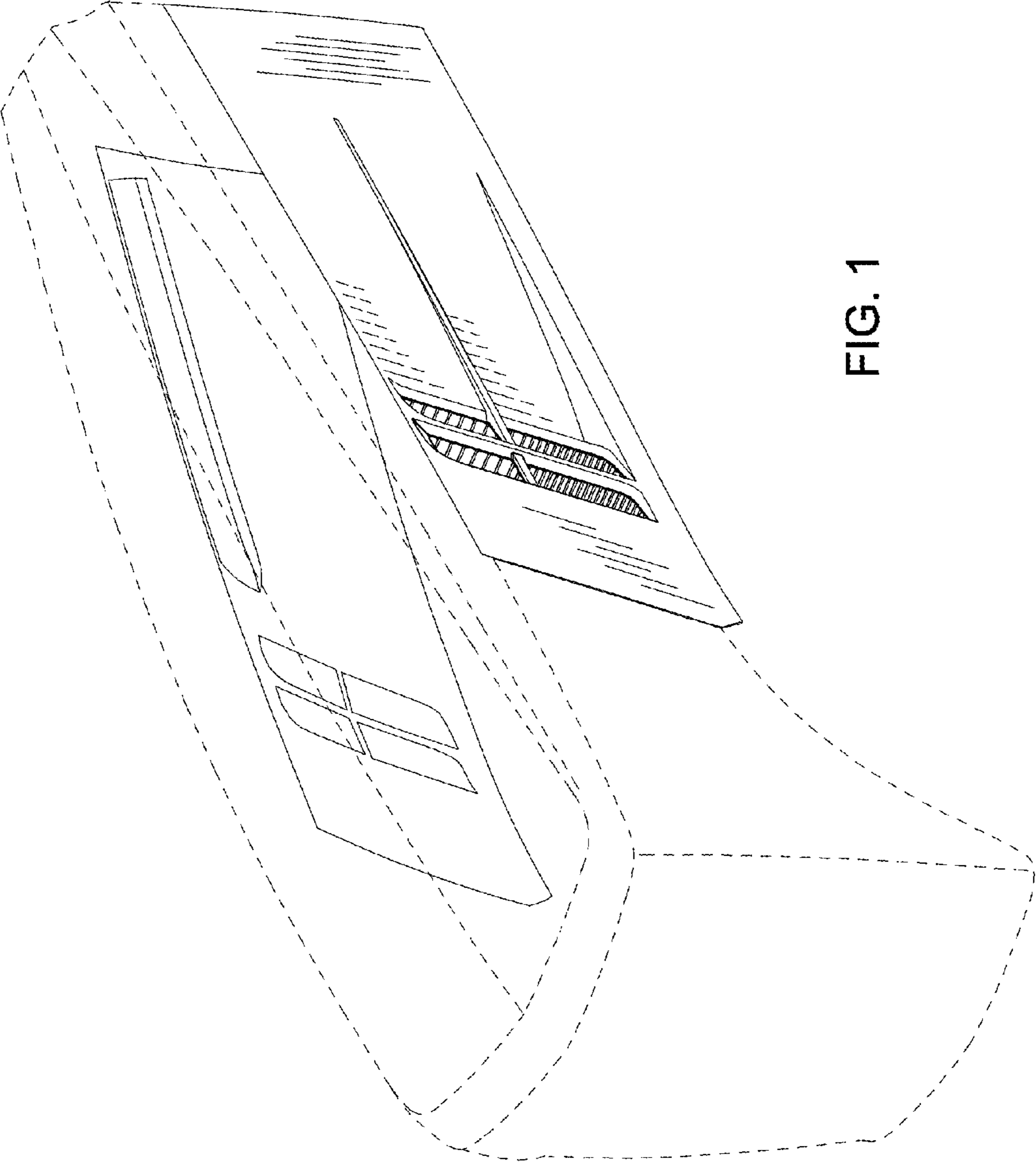


FIG. 1

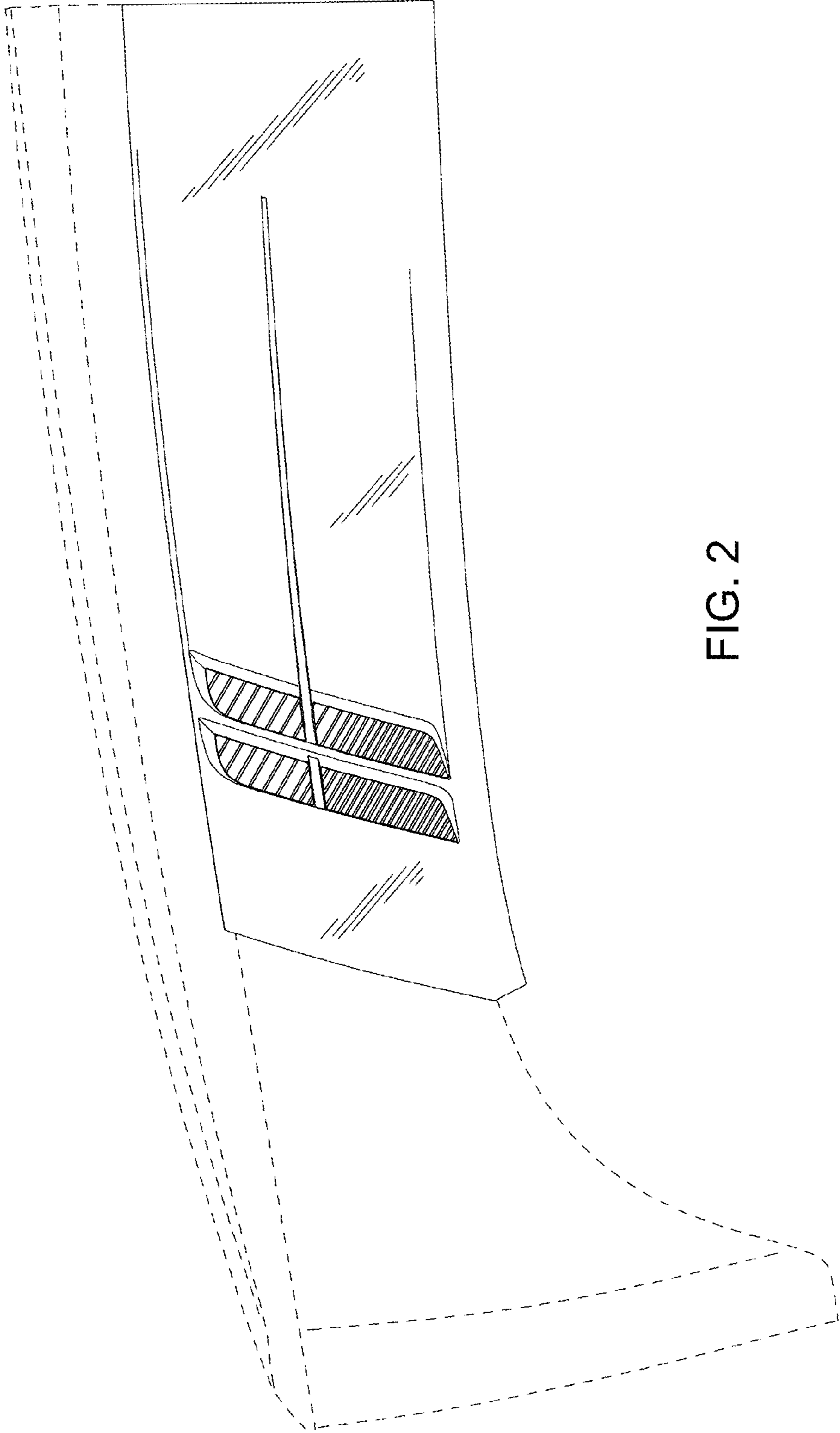


FIG. 2

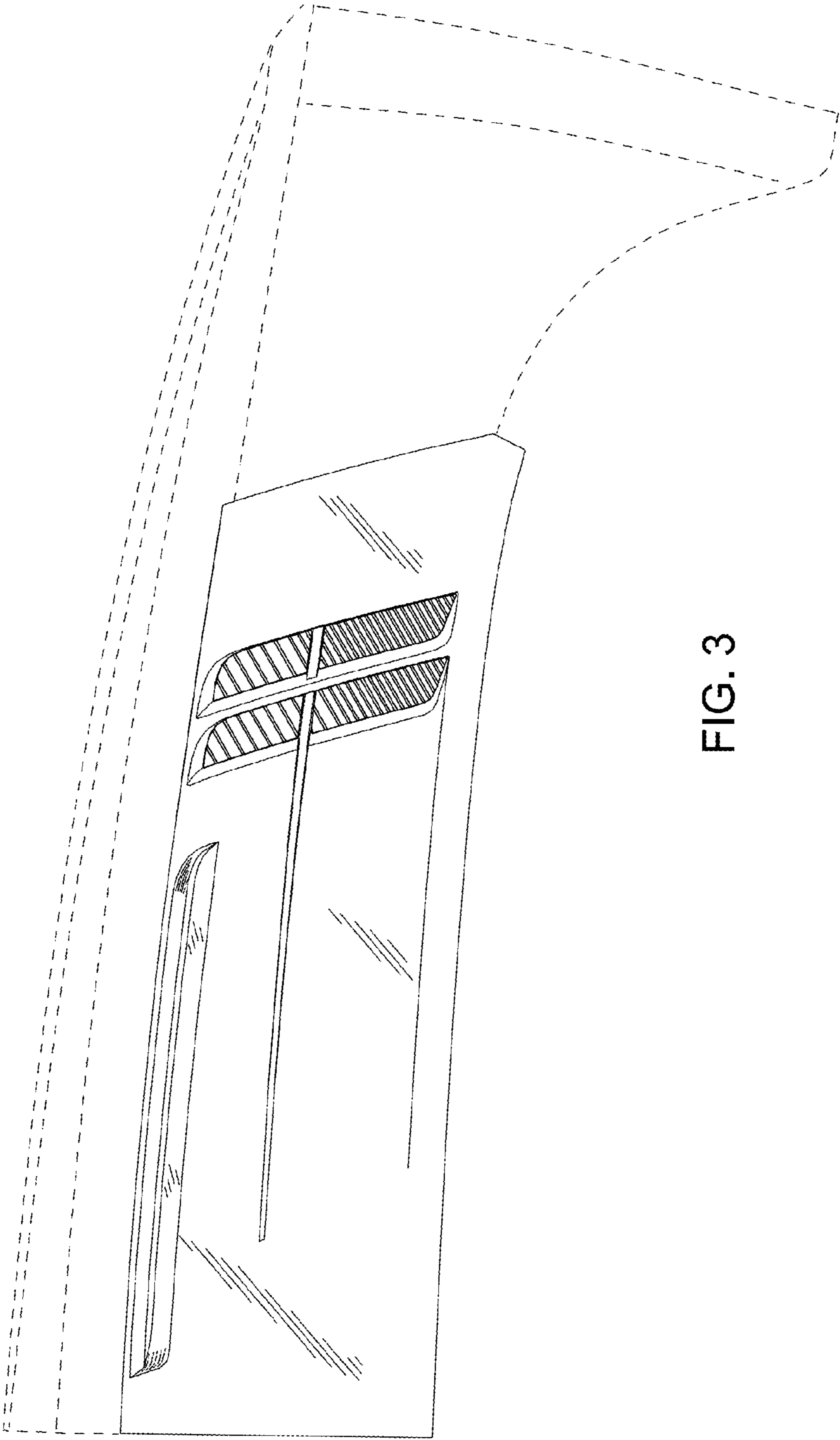


FIG. 3

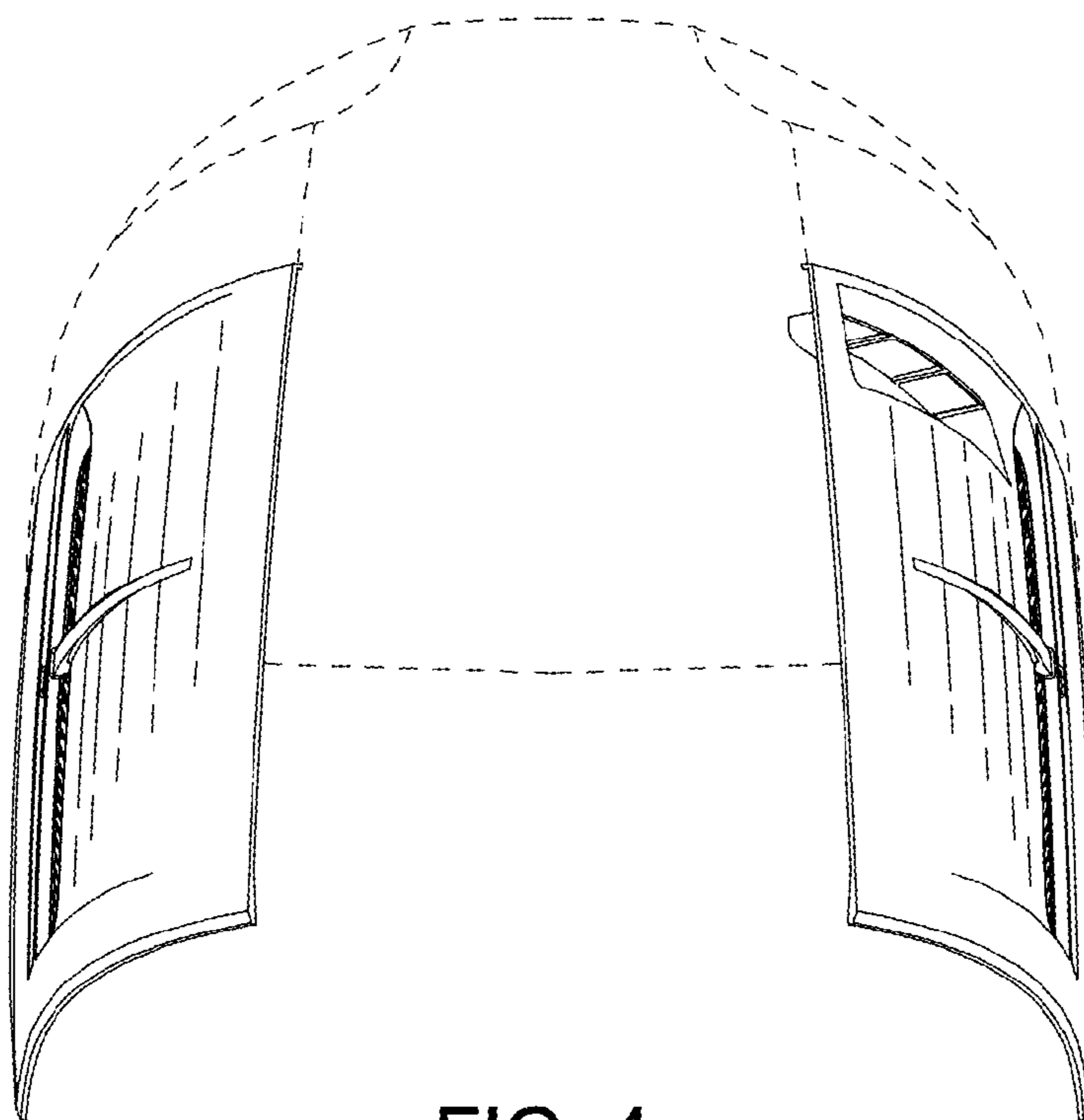


FIG. 4

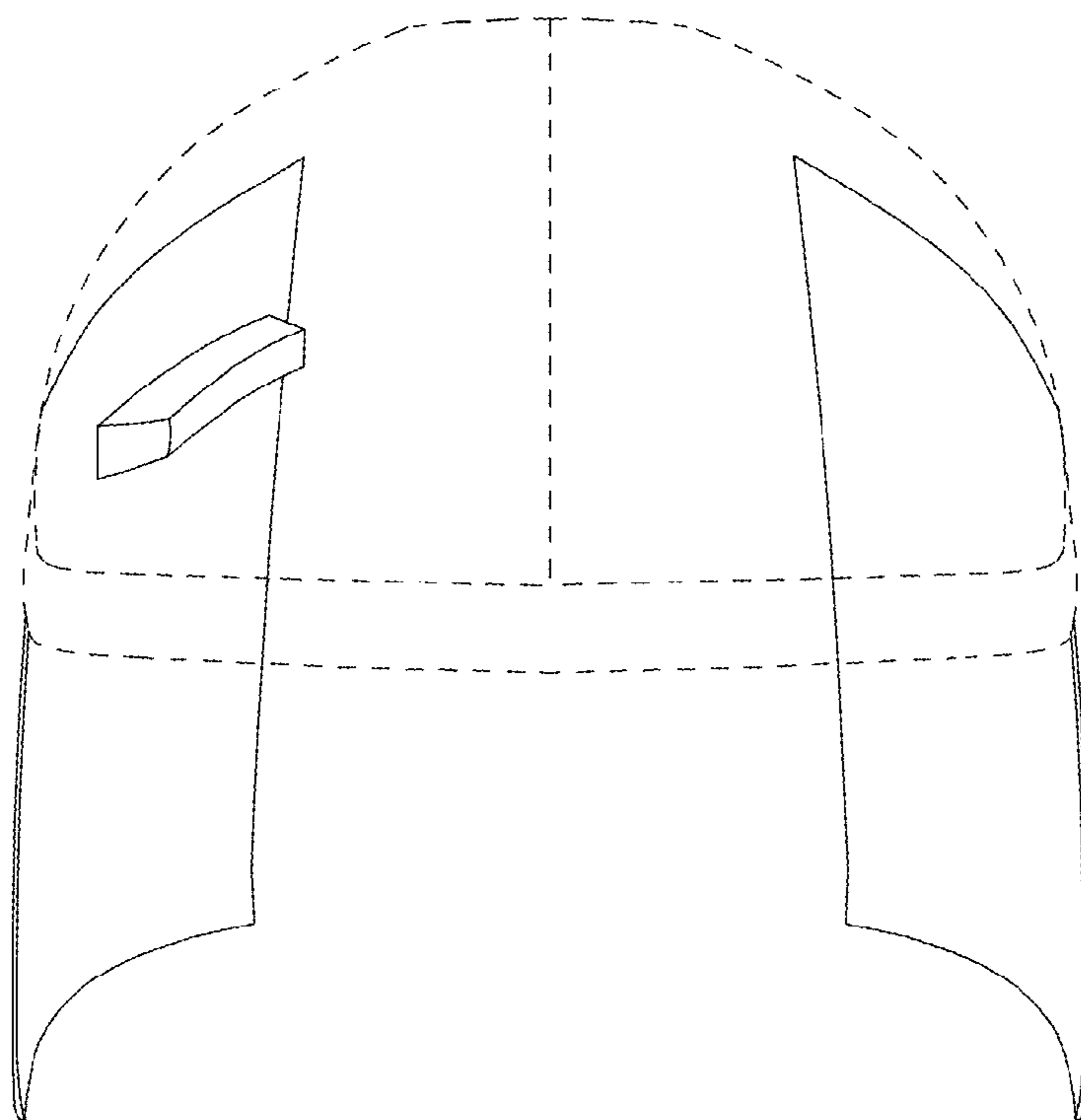


FIG. 5

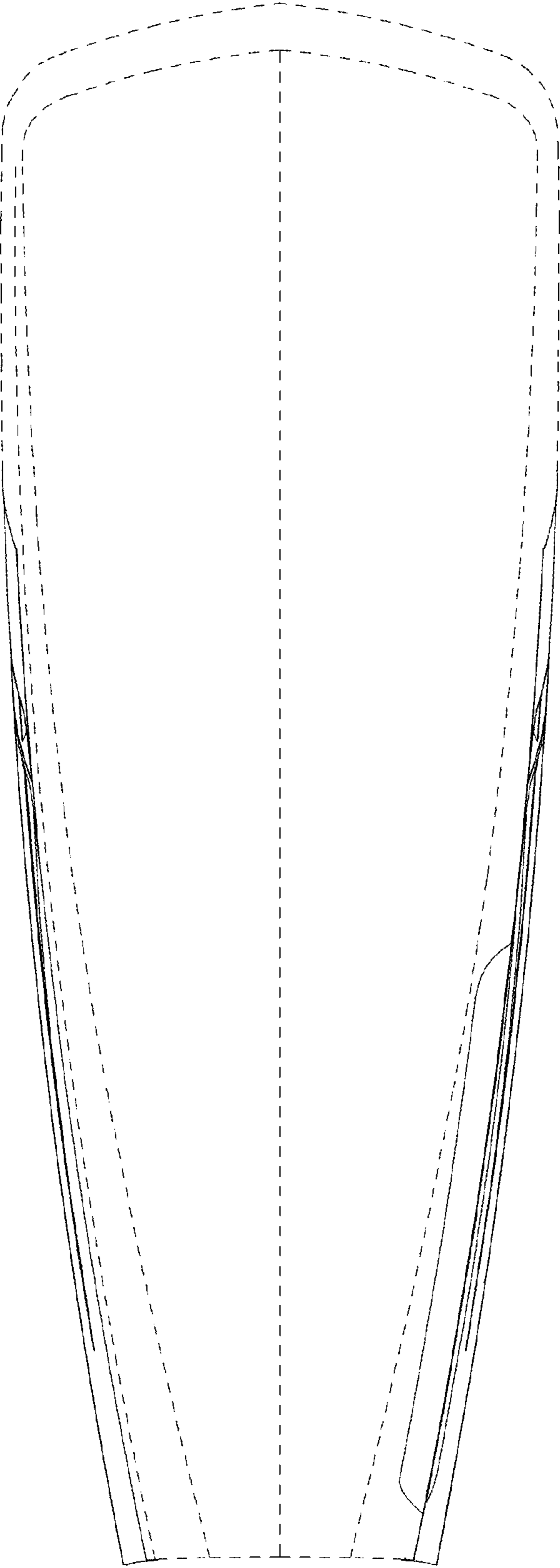


FIG. 6

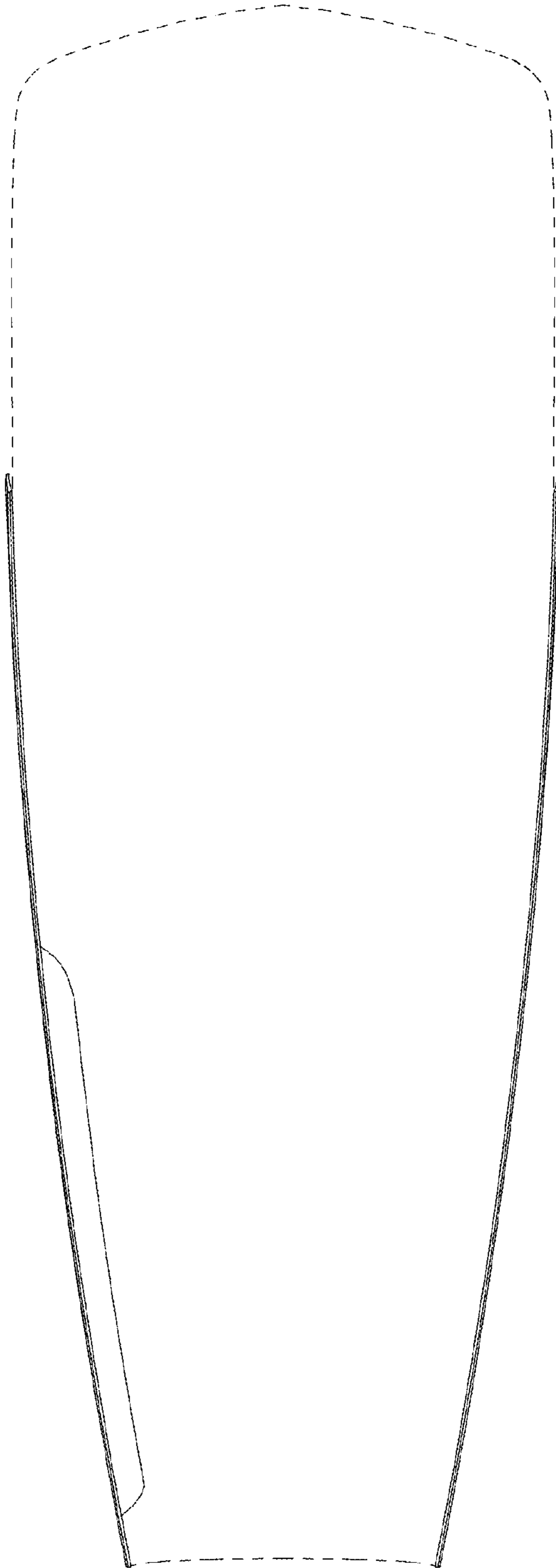


FIG. 7