



US00D699765S

(12) **United States Design Patent**  
**Tentinger et al.**

(10) **Patent No.:** **US D699,765 S**

(45) **Date of Patent:** **\*\* Feb. 18, 2014**

(54) **HOOD**

(71) Applicant: **Deere & Company**, Moline, IL (US)

(72) Inventors: **Phillip A. Tentinger**, Denver, IA (US);  
**Dean A. Boyce**, Waterloo, IA (US); **Carl E. Caldwell, II**, Cedar Falls, IA (US)

(73) Assignee: **Deere & Company**, Moline, IL (US)

(\*\*) Term: **14 Years**

(21) Appl. No.: **29/464,740**

(22) Filed: **Aug. 20, 2013**

(51) **LOC (10) Cl.** ..... **15-03**

(52) **U.S. Cl.**  
USPC ..... **D15/31**

(58) **Field of Classification Search**  
USPC ..... D15/10, 11, 13-17, 28, 22-26, 31;  
D12/173; 56/13.3, 13.4, 15.8, 15.9,  
56/320.1; 180/89.1, 89.12, 900, 69.2,  
180/68.1, 69.1

See application file for complete search history.

(56) **References Cited**

U.S. PATENT DOCUMENTS

D246,370 S \* 11/1977 Lorenz ..... D15/31  
D297,330 S \* 8/1988 Monehaie et al. .... D15/31  
D371,372 S \* 7/1996 Westimayer et al. .... D15/31

D381,025 S \* 7/1997 Bataille ..... D15/31  
D383,470 S \* 9/1997 Westimayer et al. .... D15/31  
D389,492 S \* 1/1998 Schmidt et al. .... D15/31  
5,803,198 A \* 9/1998 Baxter et al. .... 180/69.21  
D413,905 S \* 9/1999 Schmidt et al. .... D15/31  
6,167,977 B1 \* 1/2001 Adamson et al. .... 180/69.2  
D448,037 S \* 9/2001 Westimayer et al. .... D15/31  
D483,383 S \* 12/2003 Crookes et al. .... D15/31  
D488,488 S \* 4/2004 Montgomery et al. .... D15/31  
D488,489 S \* 4/2004 Montgomery et al. .... D15/31  
D554,669 S \* 11/2007 Crookes et al. .... D15/31  
D560,693 S \* 1/2008 Moen et al. .... D15/31  
D570,382 S \* 6/2008 Higashikawa ..... D15/31  
D591,777 S \* 5/2009 Kokitkar et al. .... D15/31

\* cited by examiner

*Primary Examiner* — Mark Goodwin

(57) **CLAIM**

The ornamental design for a hood, as shown and described.

**DESCRIPTION**

FIG. 1 is a perspective view of a hood showing our new design.

FIG. 2 is a left side view thereof.

FIG. 3 is a right side view thereof.

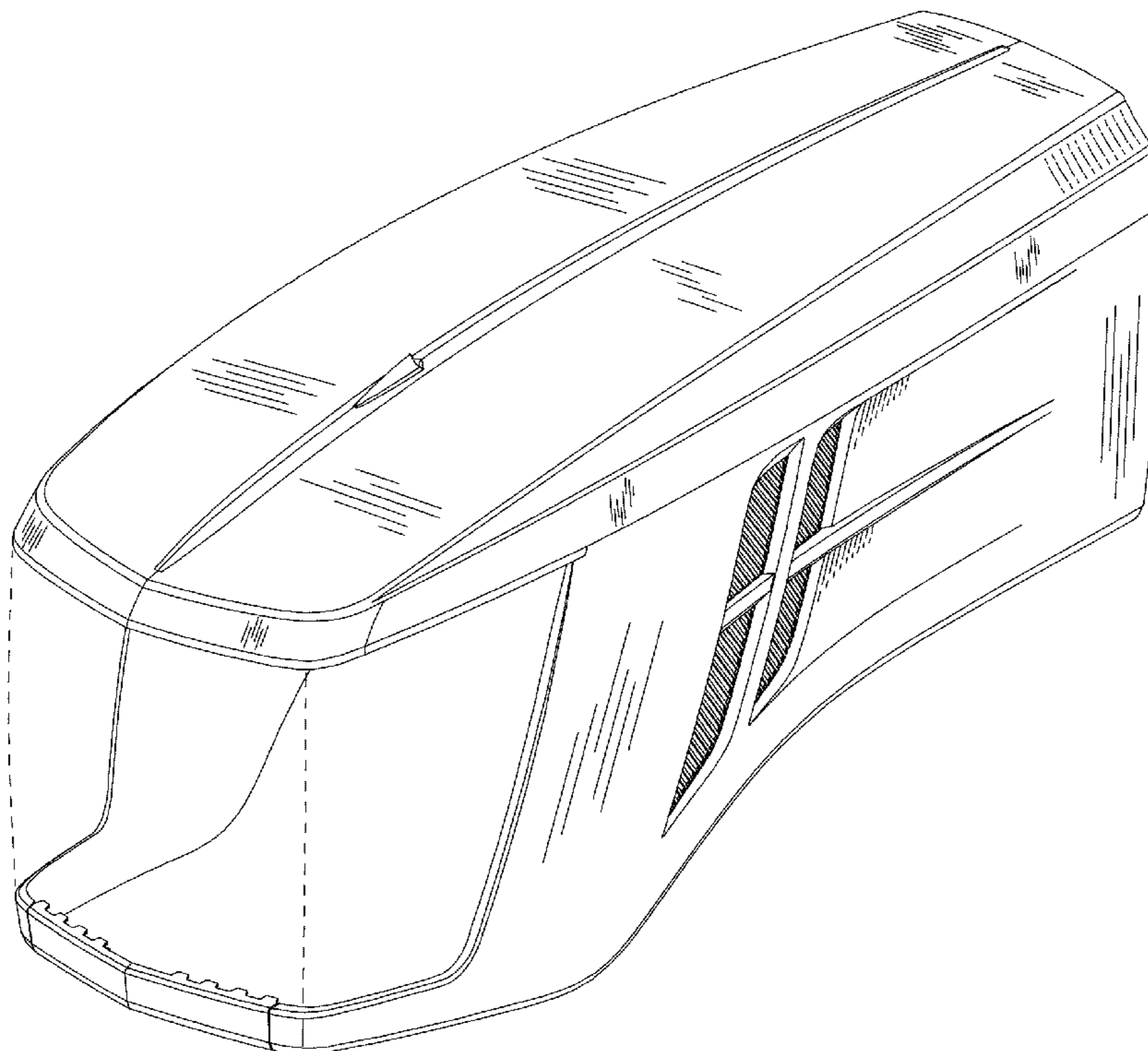
FIG. 4 is a rear view thereof.

FIG. 5 is a front view thereof; and,

FIG. 6 is a top view thereof.

The broken line showing in FIGS. 1-3 is included for the purpose of illustrating environmental structure only and forms no part of the claimed design.

**1 Claim, 6 Drawing Sheets**



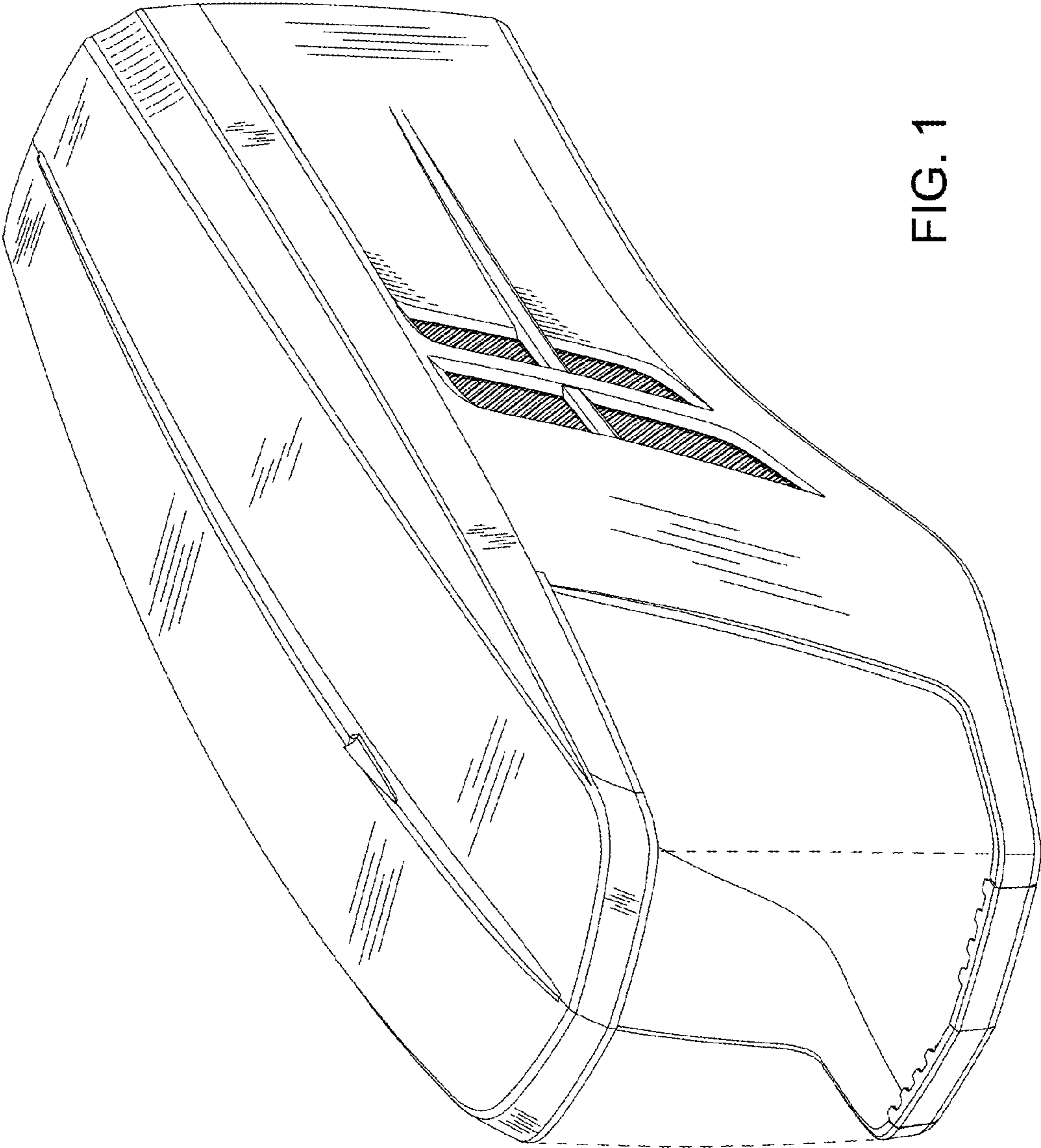


FIG. 1

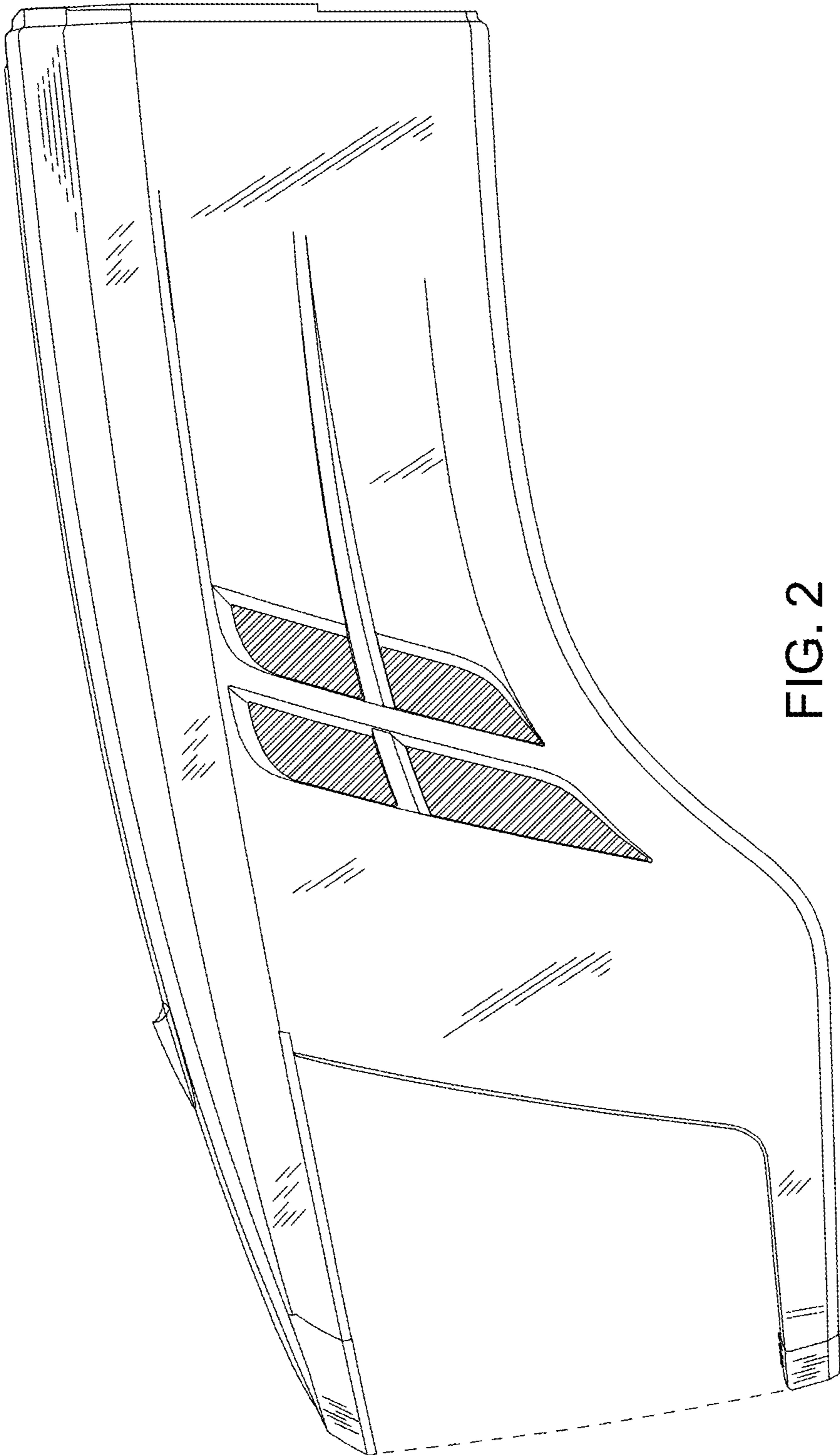


FIG. 2

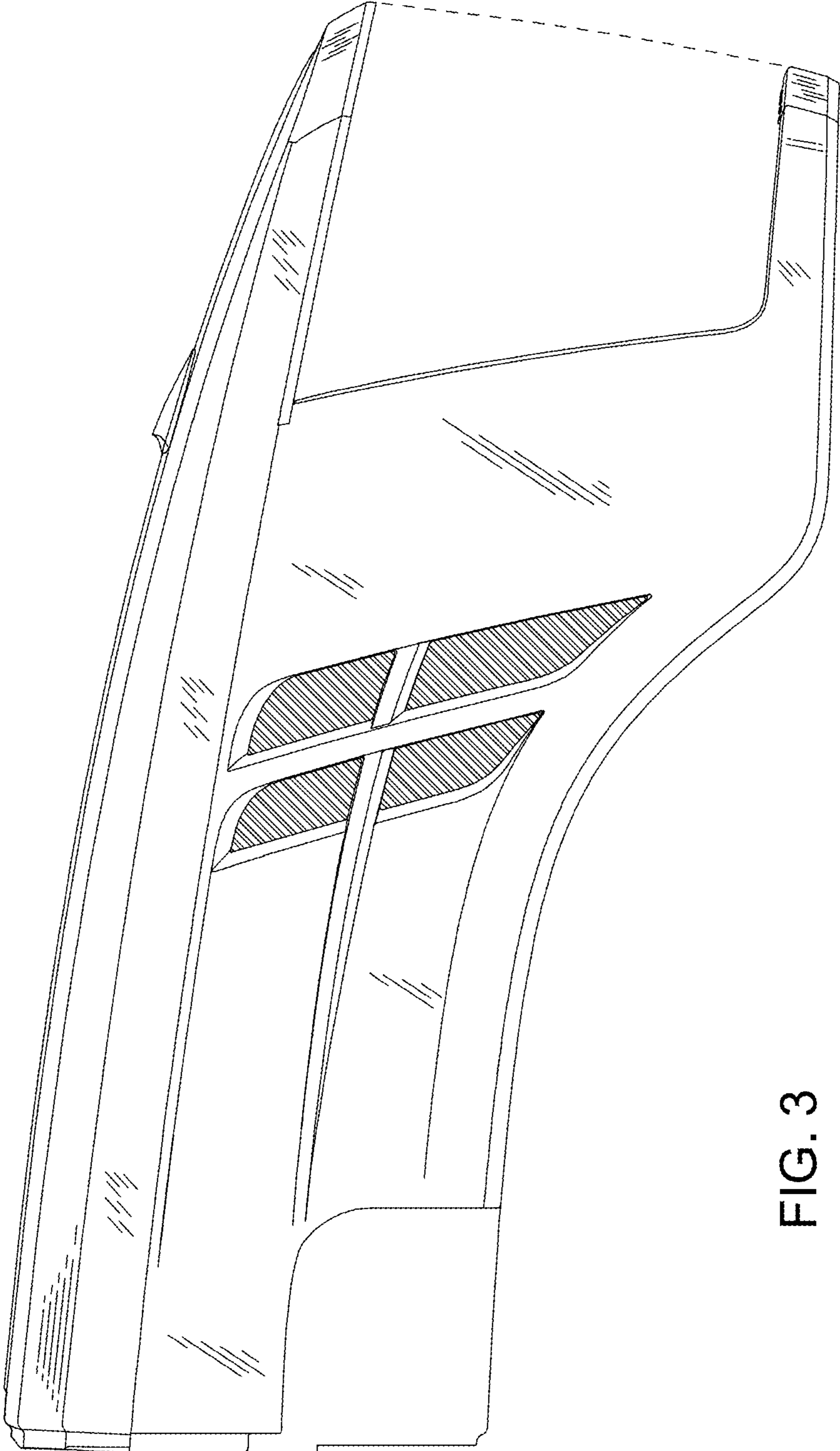


FIG. 3

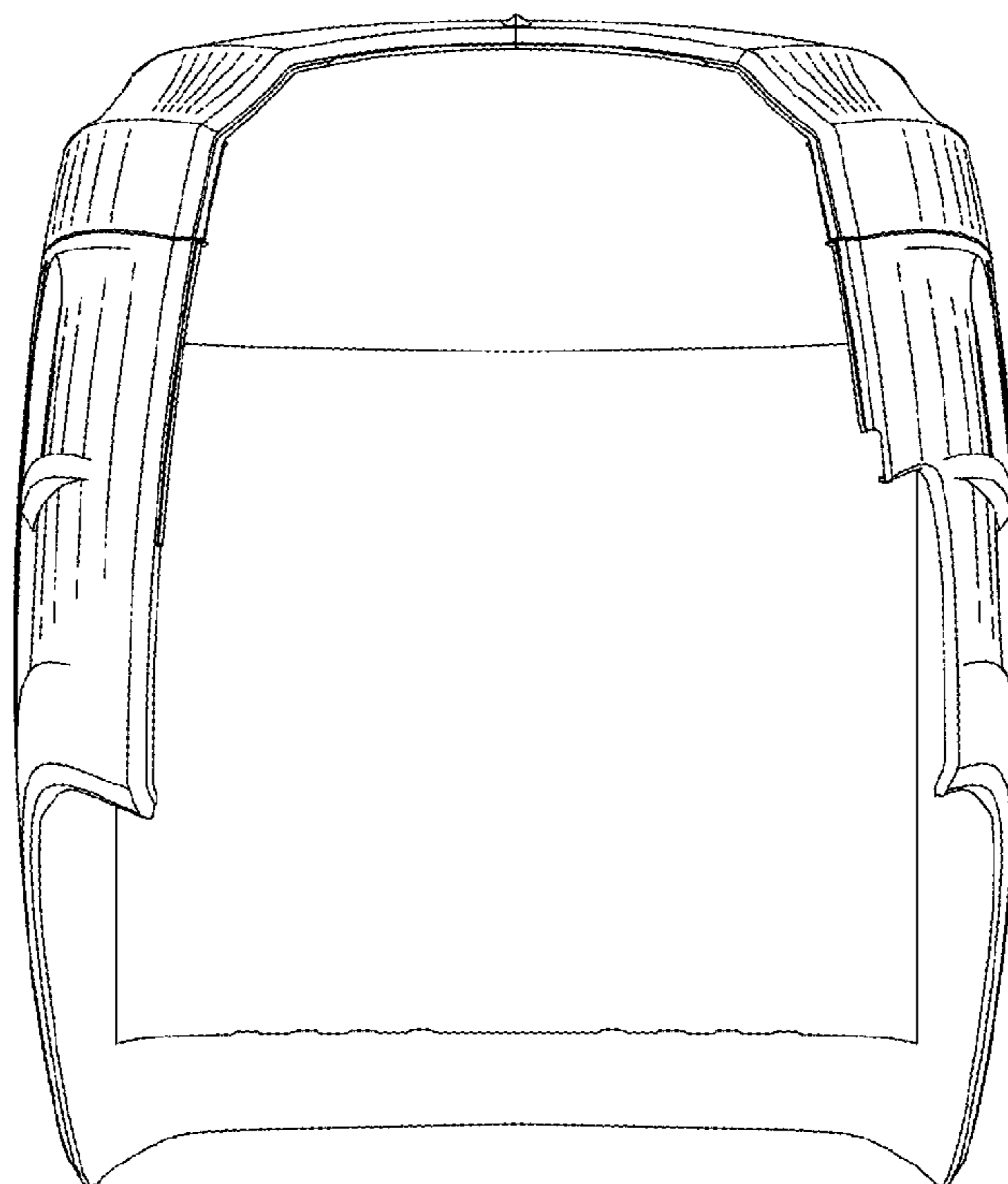


FIG. 4

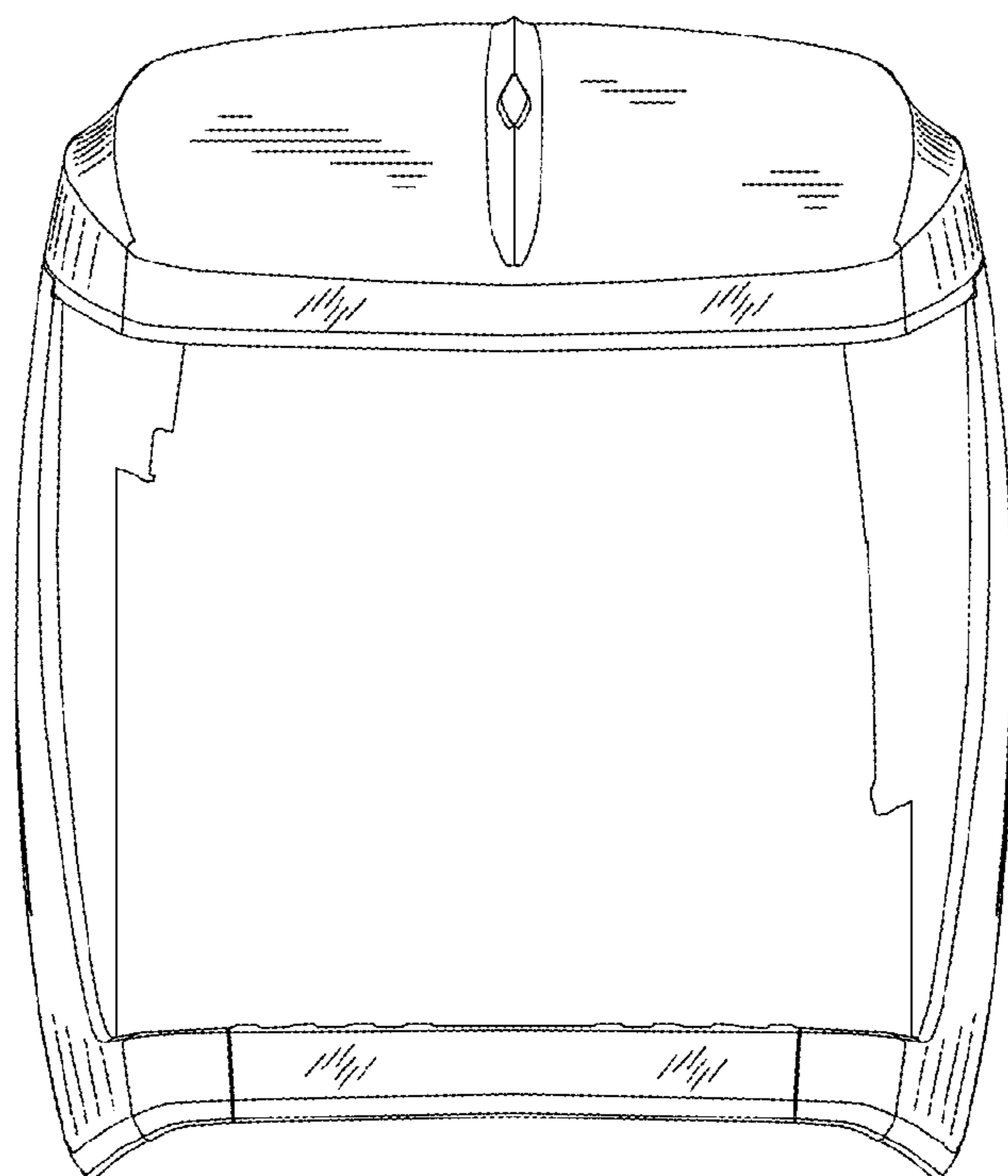


FIG. 5

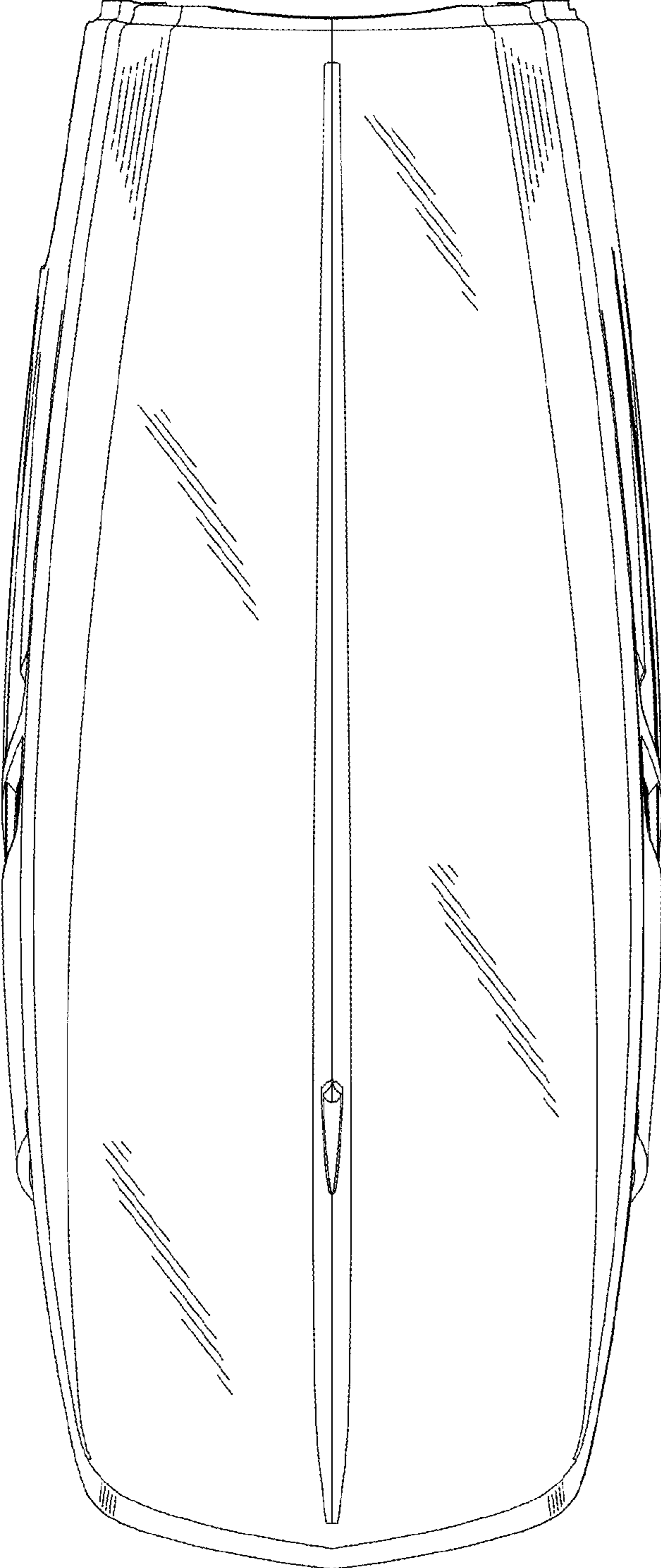


FIG. 6

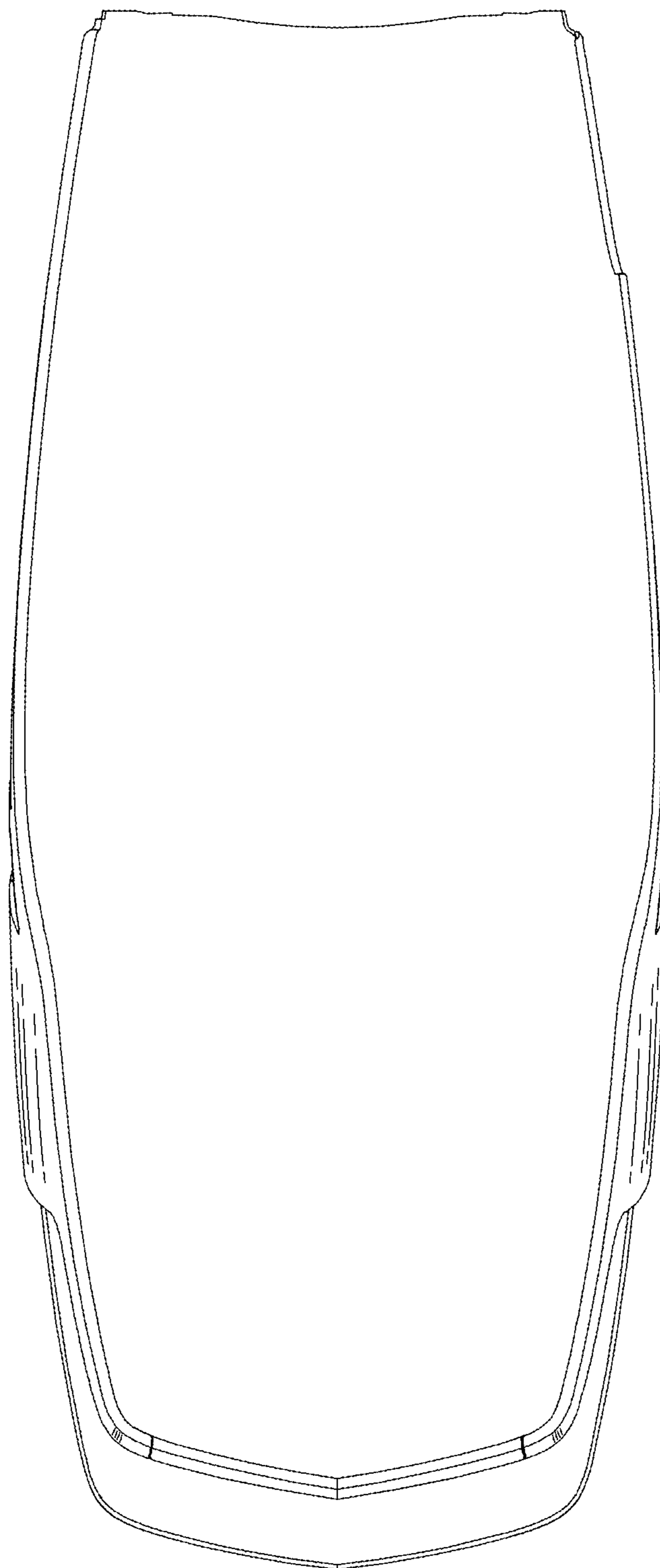


FIG. 7