



US00D699764S

(12) **United States Design Patent**
Loew et al.

(10) **Patent No.:** **US D699,764 S**
(45) **Date of Patent:** **** Feb. 18, 2014**

(54) **TANDEM ROLLER**
(71) Applicant: **BOMAG GmbH**, Boppard (DE)
(72) Inventors: **Roland Loew**, Klein-Winternheim (DE);
Christian Berg, Voelkenroth (DE)
(73) Assignee: **BOMAG GmbH**, Boppard (DE)
(**) Term: **14 Years**

D573,611 S *	7/2008	Geier	D15/20
D589,067 S *	3/2009	Yamamoto	D15/28
7,497,642 B2 *	3/2009	Raymond et al.	404/132
D611,505 S *	3/2010	Loew et al.	D15/20
D611,506 S *	3/2010	Loew et al.	D15/20
D641,027 S *	7/2011	Kawashiri et al.	D15/23
D657,396 S *	4/2012	Loew	D15/20
D657,397 S *	4/2012	Loew	D15/20
D668,269 S *	10/2012	Tezuka et al.	D15/20
2012/0114416 A1 *	5/2012	Marsolek et al.	404/75
2012/0155961 A1 *	6/2012	Norton	404/75

* cited by examiner

(21) Appl. No.: **29/458,245**
(22) Filed: **Jun. 18, 2013**

Primary Examiner — Mark Goodwin

(74) *Attorney, Agent, or Firm* — Wood, Herron & Evans, LLP

(30) **Foreign Application Priority Data**
Dec. 19, 2012 (EP) 002156406-0004
(51) **LOC (10) Cl.** **15-03**
(52) **U.S. Cl.**
USPC **D15/20; D15/22**
(58) **Field of Classification Search**
USPC D15/10, 20, 22, 23; 180/20, 89.1,
180/89.12; 404/122, 125, 132, 117, 124
See application file for complete search history.

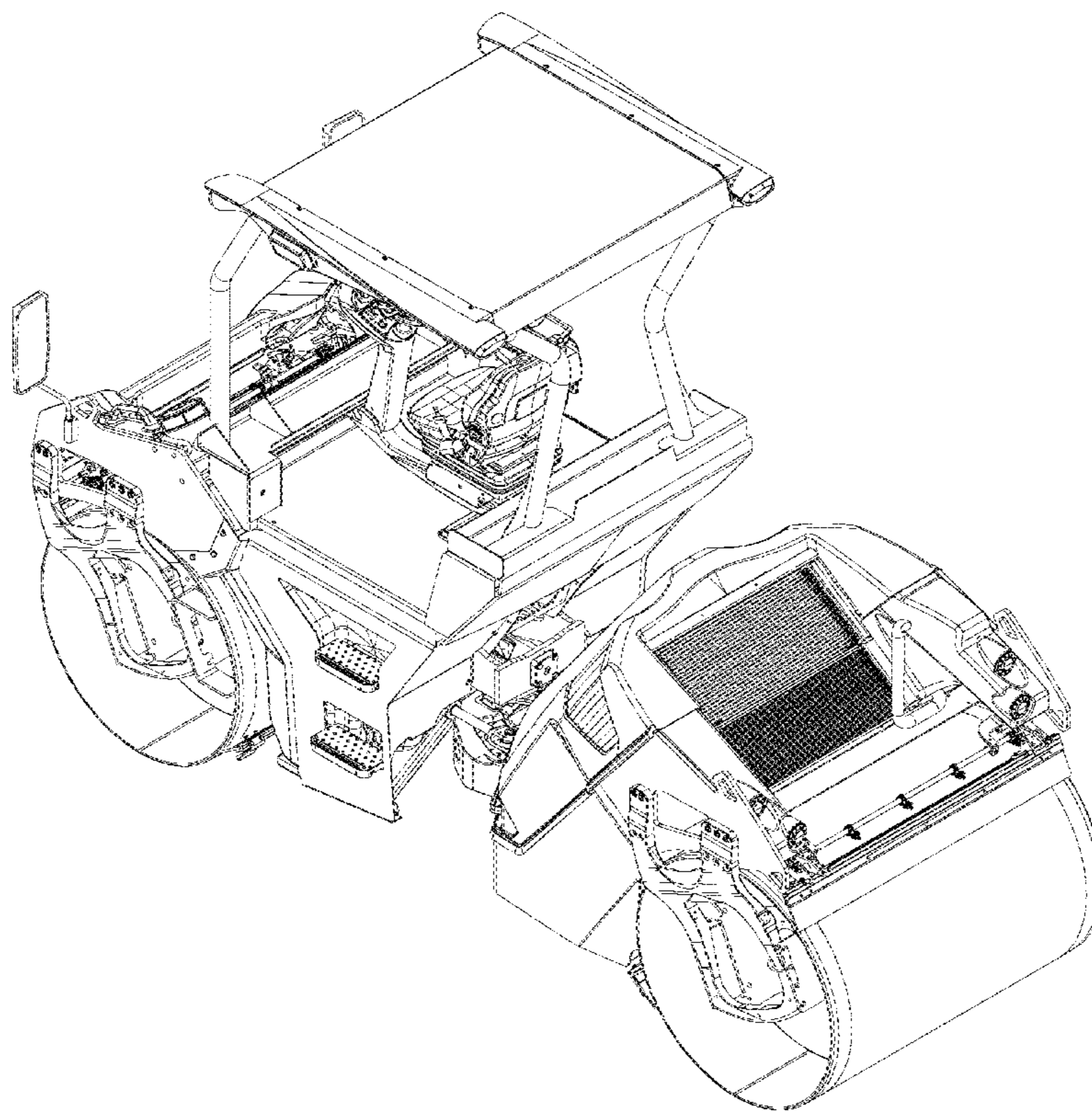
(57) **CLAIM**
The ornamental design for a tandem roller, as shown and described.

DESCRIPTION

FIG. 1 is a rear isometric view of a tandem roller showing our new design;
FIG. 2 is a front isometric view thereof;
FIG. 3 is a top plan view thereof;
FIG. 4 is a rear elevational view thereof;
FIG. 5 is a front elevational view thereof;
FIG. 6 is a left side elevational view thereof; and,
FIG. 7 is a right side elevational view thereof.
The bottom view forms no part of the claimed design.

(56) **References Cited**
U.S. PATENT DOCUMENTS
D275,678 S * 9/1984 Mawhorr et al. D15/20
D396,727 S * 8/1998 Geier et al. D15/20
D516,094 S * 2/2006 Dotsch et al. D15/20

1 Claim, 7 Drawing Sheets



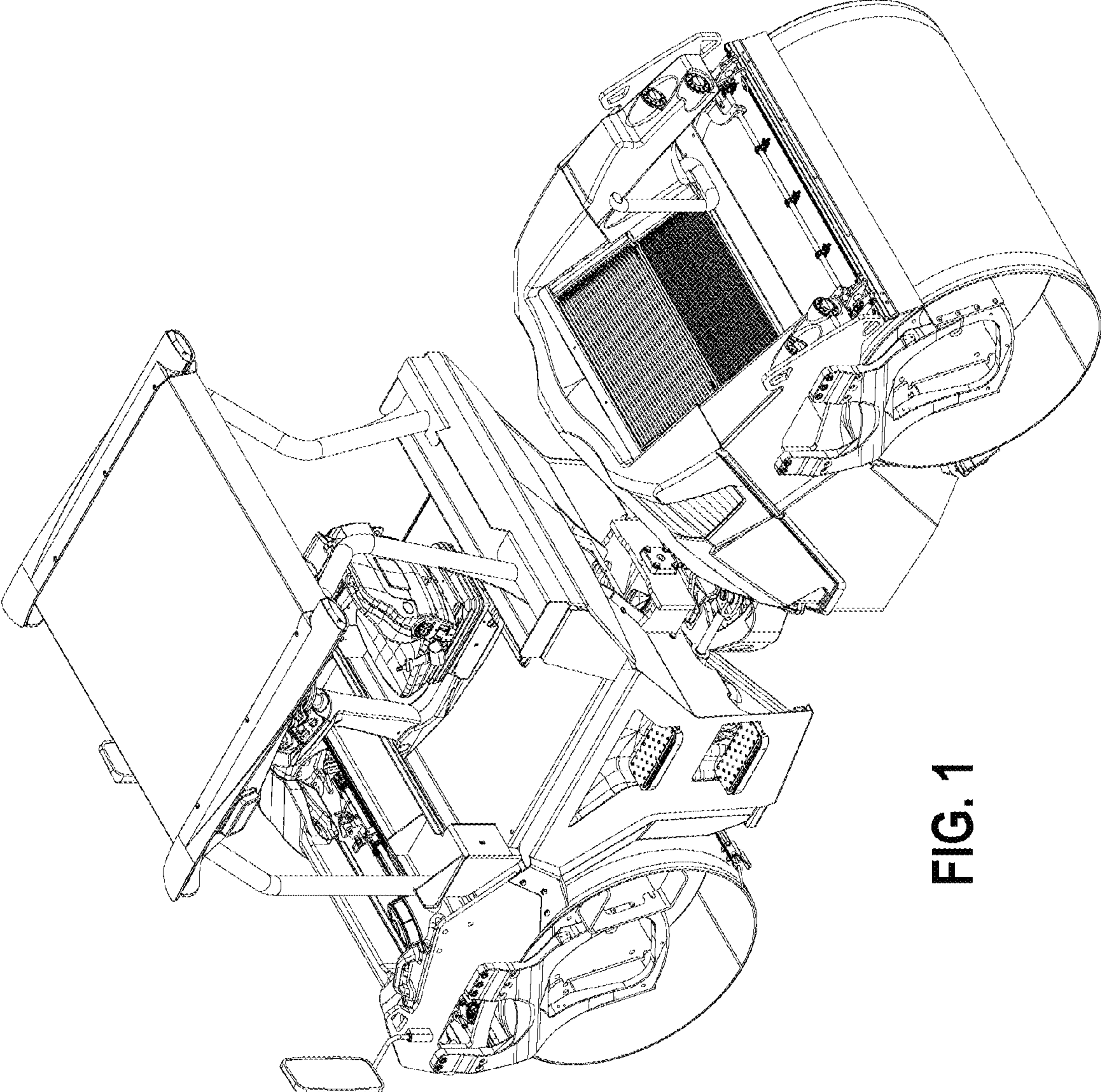


FIG. 1

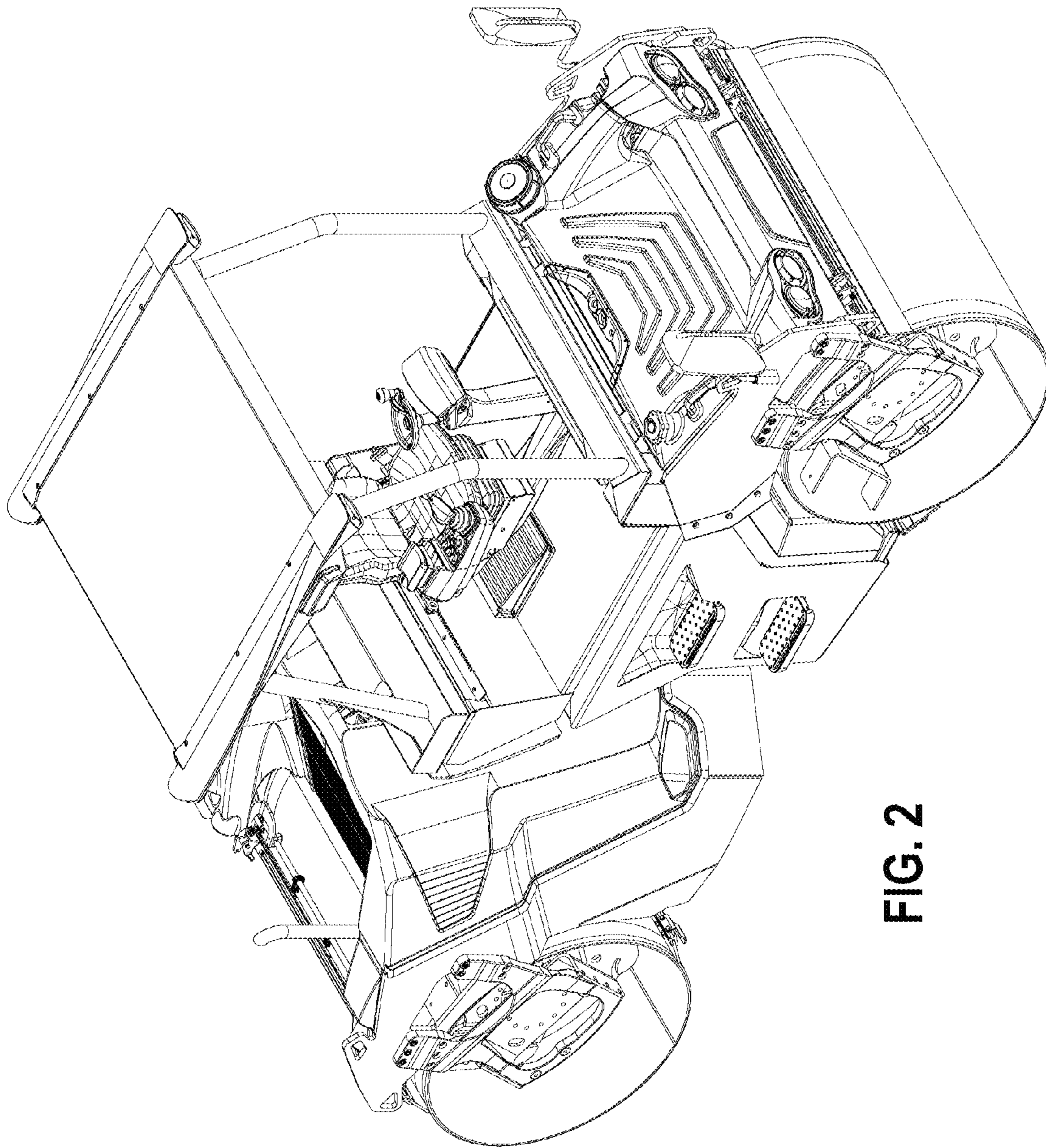


FIG. 2

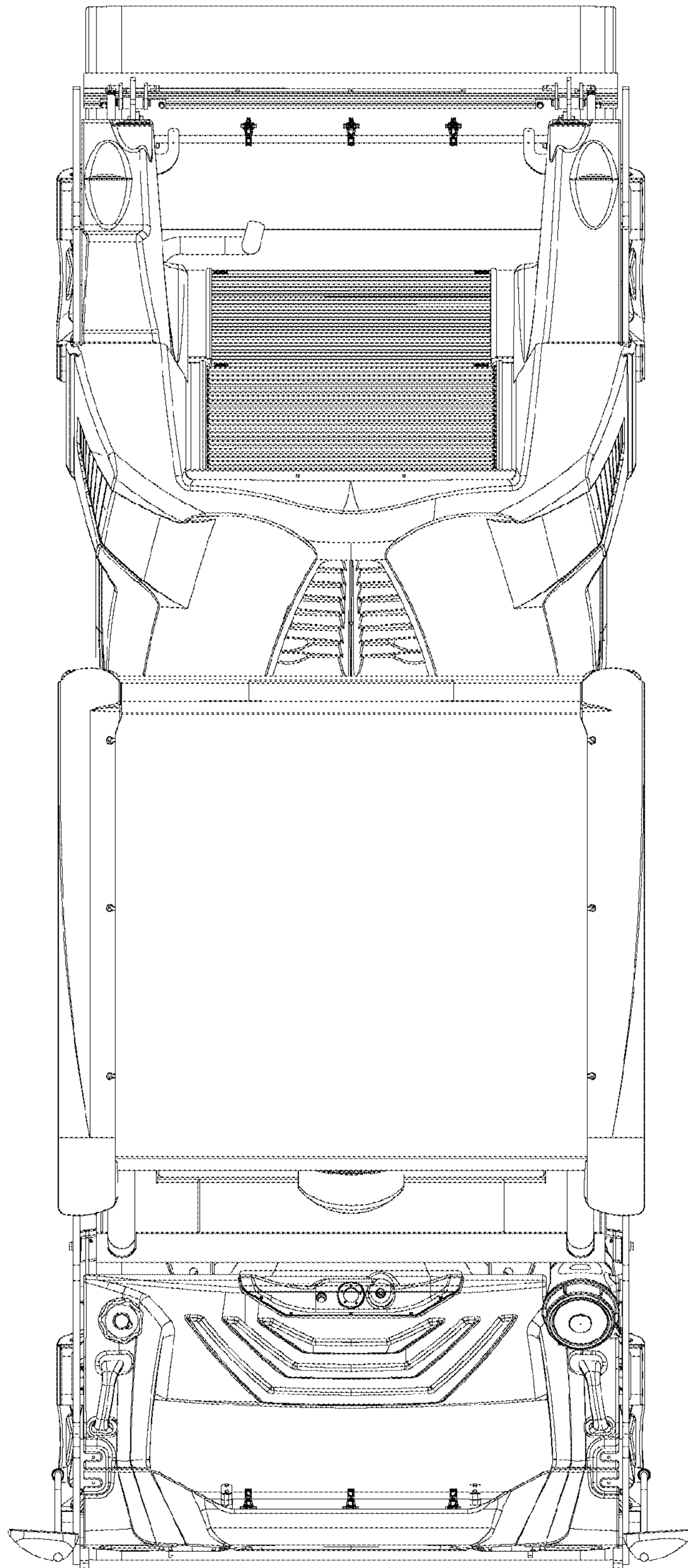


FIG. 3

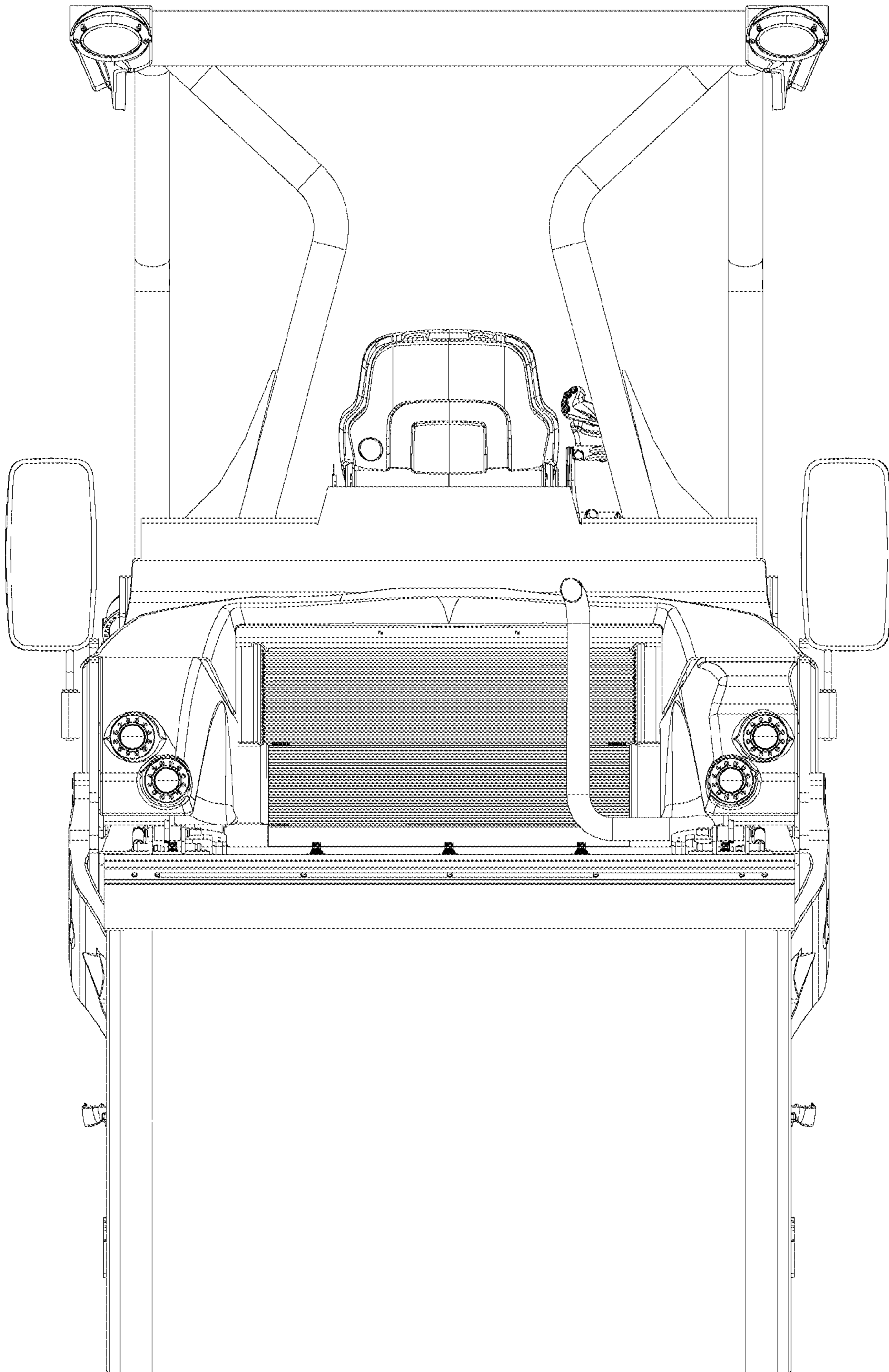


FIG. 4

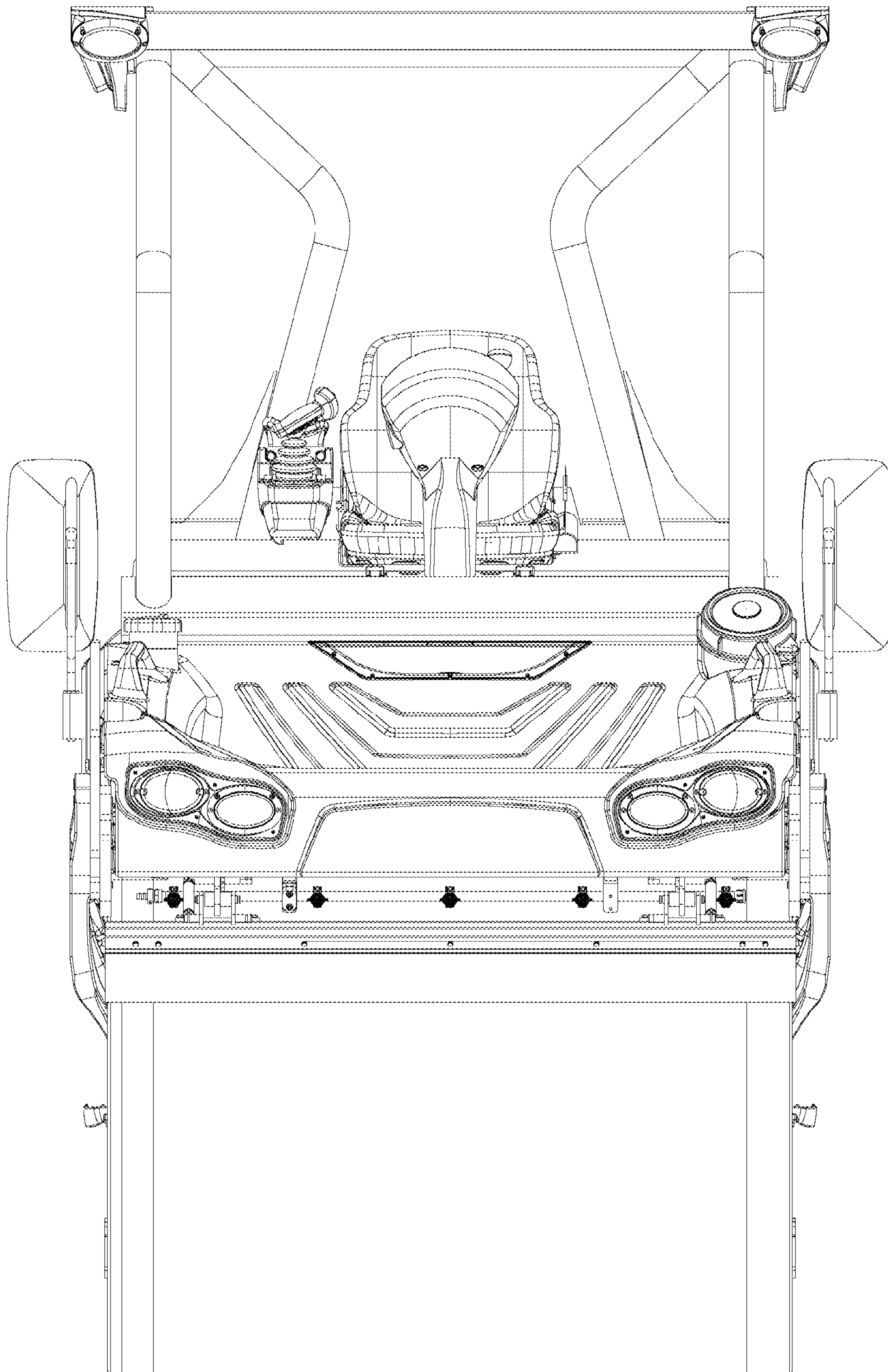


FIG. 5

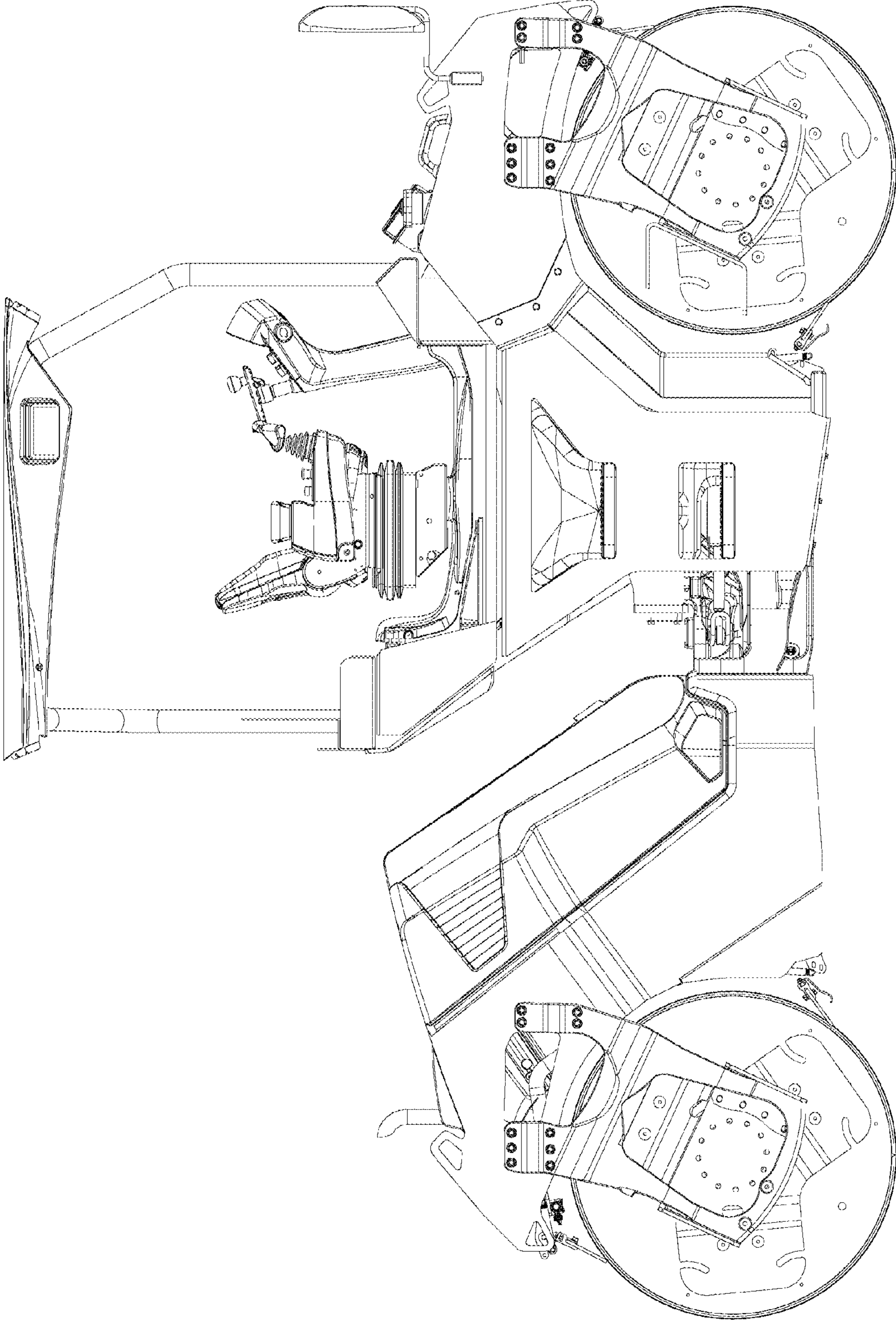


FIG. 6

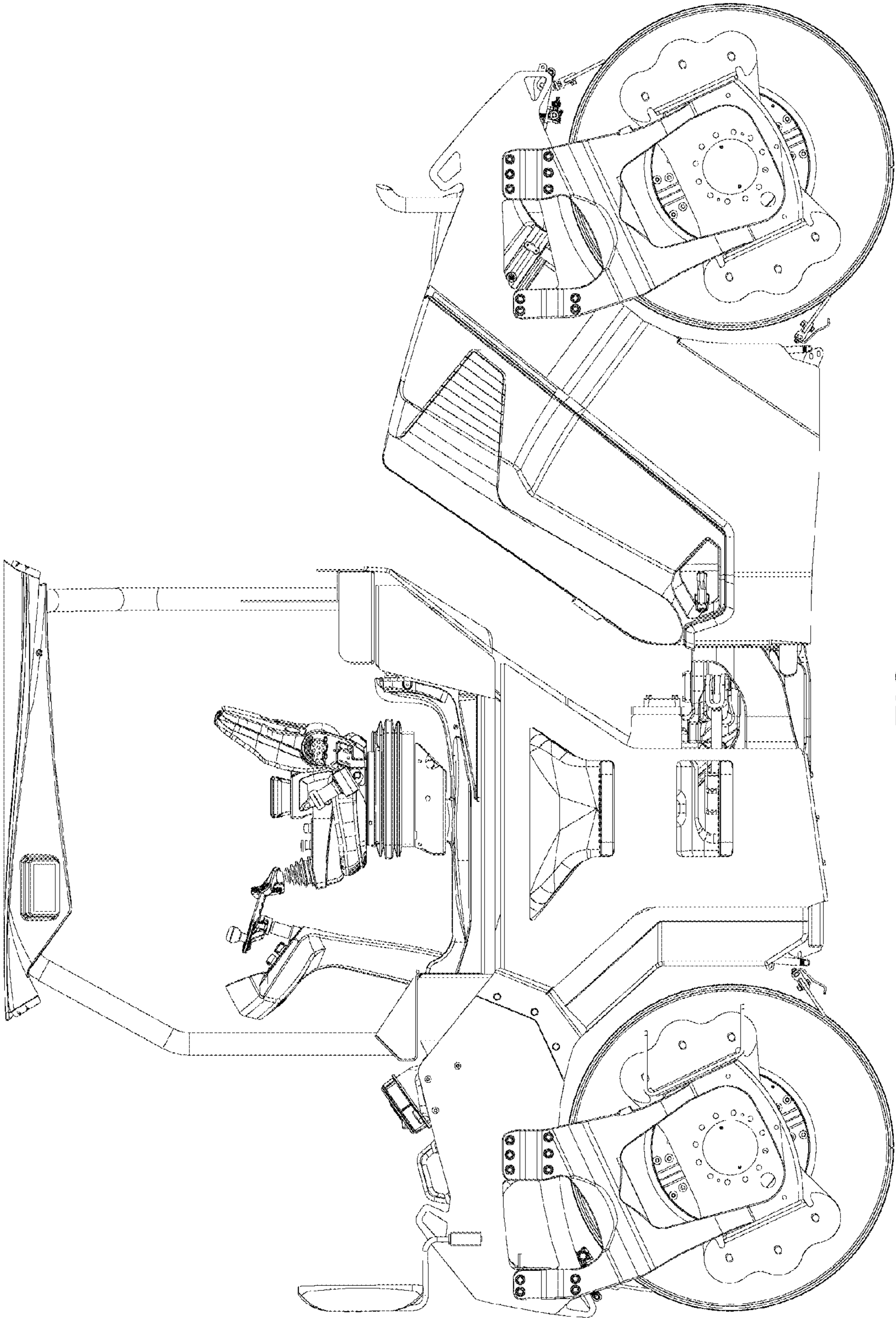


FIG. 7