



US00D699763S

(12) **United States Design Patent**
Fitch et al.

(10) **Patent No.:** **US D699,763 S**

(45) **Date of Patent:** **** Feb. 18, 2014**

(54) **PUMP HOUSING**

(71) Applicant: **Sulzer Pumpen AG**, Winterthur (CH)

(72) Inventors: **Gary Fitch**, Portland, OR (US); **Neil Hoekstra**, Edmonton (CA)

(73) Assignee: **Sulzer Pumpen AG**, Winterthur (CH)

(**) Term: **14 Years**

(21) Appl. No.: **29/451,694**

(22) Filed: **Apr. 5, 2013**

(51) **LOC (10) Cl.** **15-02**

(52) **U.S. Cl.**
USPC **D15/7**

(58) **Field of Classification Search**
USPC D15/7-9; D23/231, 232, 225; 417/60,
417/235, 265, 321, 355, 358, 363, 359,
417/410.1, 415-416, 405, 900; 60/408,
60/412; 184/26-37; 415/140-147;
123/495, 509

See application file for complete search history.

(56) **References Cited**

U.S. PATENT DOCUMENTS

D195,534 S *	6/1963	Yakota et al.	D15/7
5,100,288 A *	3/1992	Stanislao	415/56.1
D453,525 S *	2/2002	Lutes	D15/7
D589,983 S *	4/2009	Sinico	D15/7
D603,870 S *	11/2009	Mehnert et al.	D15/7
D641,379 S *	7/2011	Milojevic et al.	D15/7

D641,380 S *	7/2011	Milojevic et al.	D15/7
D641,381 S *	7/2011	Milojevic et al.	D15/7
D680,133 S *	4/2013	Hoehn et al.	D15/7
D680,134 S *	4/2013	Fordyce et al.	D15/7
D684,998 S *	6/2013	Southwood et al.	D15/7

* cited by examiner

Primary Examiner — Ralf Seifert

(74) *Attorney, Agent, or Firm* — Kilpatrick Townsend & Stockton LLP

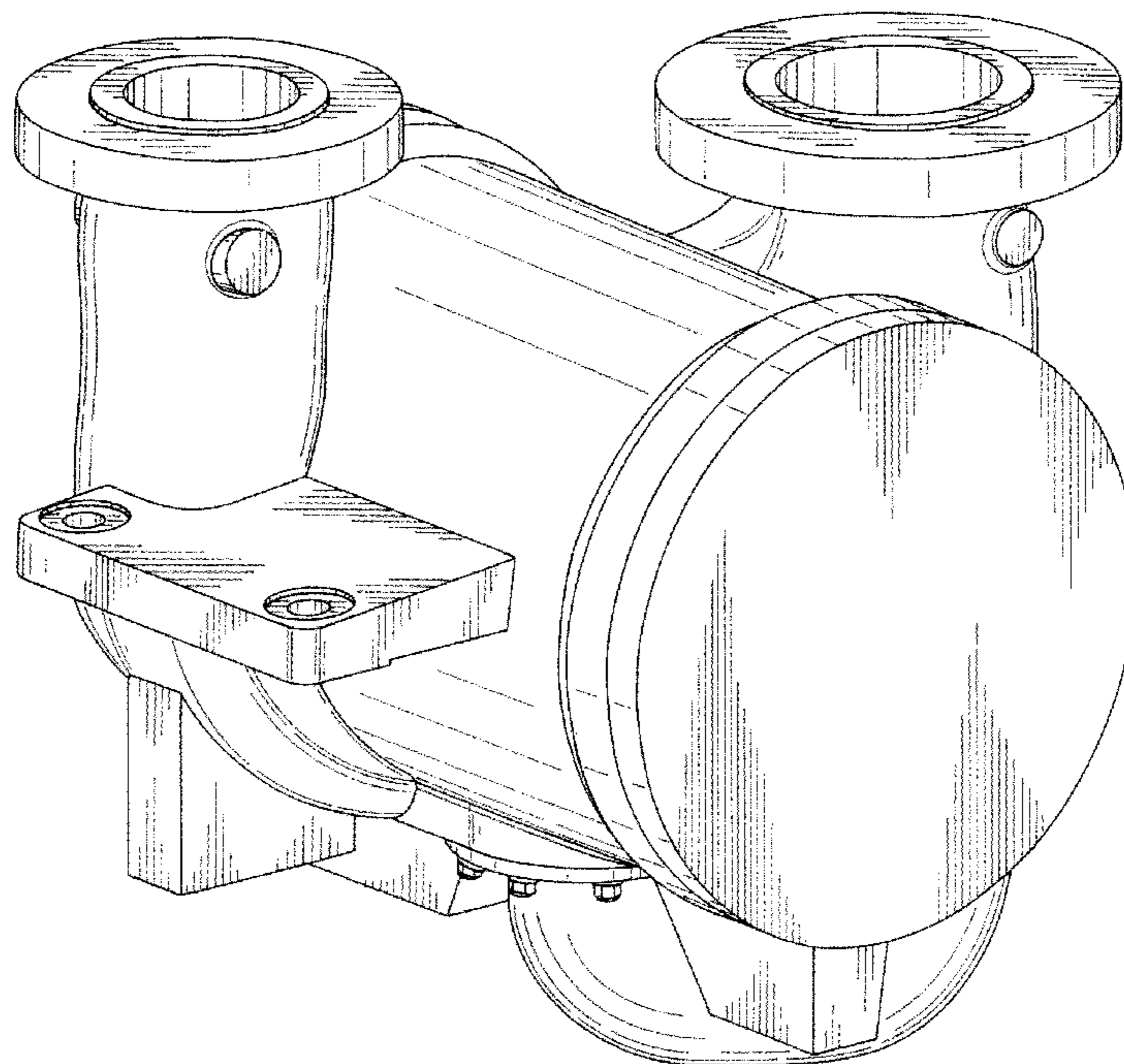
(57) **CLAIM**

The ornamental design for a pump housing, as shown and described.

DESCRIPTION

FIG. 1 is a front perspective view of the pump housing showing our new design;
FIG. 2 is a front view thereof;
FIG. 3 is a rear view thereof;
FIG. 4 is a left hand side elevational view thereof;
FIG. 5 is a right hand side elevational view thereof;
FIG. 6 is a top view thereof;
FIG. 7 is a bottom view thereof;
FIG. 8 is a second perspective view thereof; and,
FIG. 9 is a third perspective view thereof.
Portions or features of the pump housing not shown in the drawings form no part of the claimed design.

1 Claim, 9 Drawing Sheets



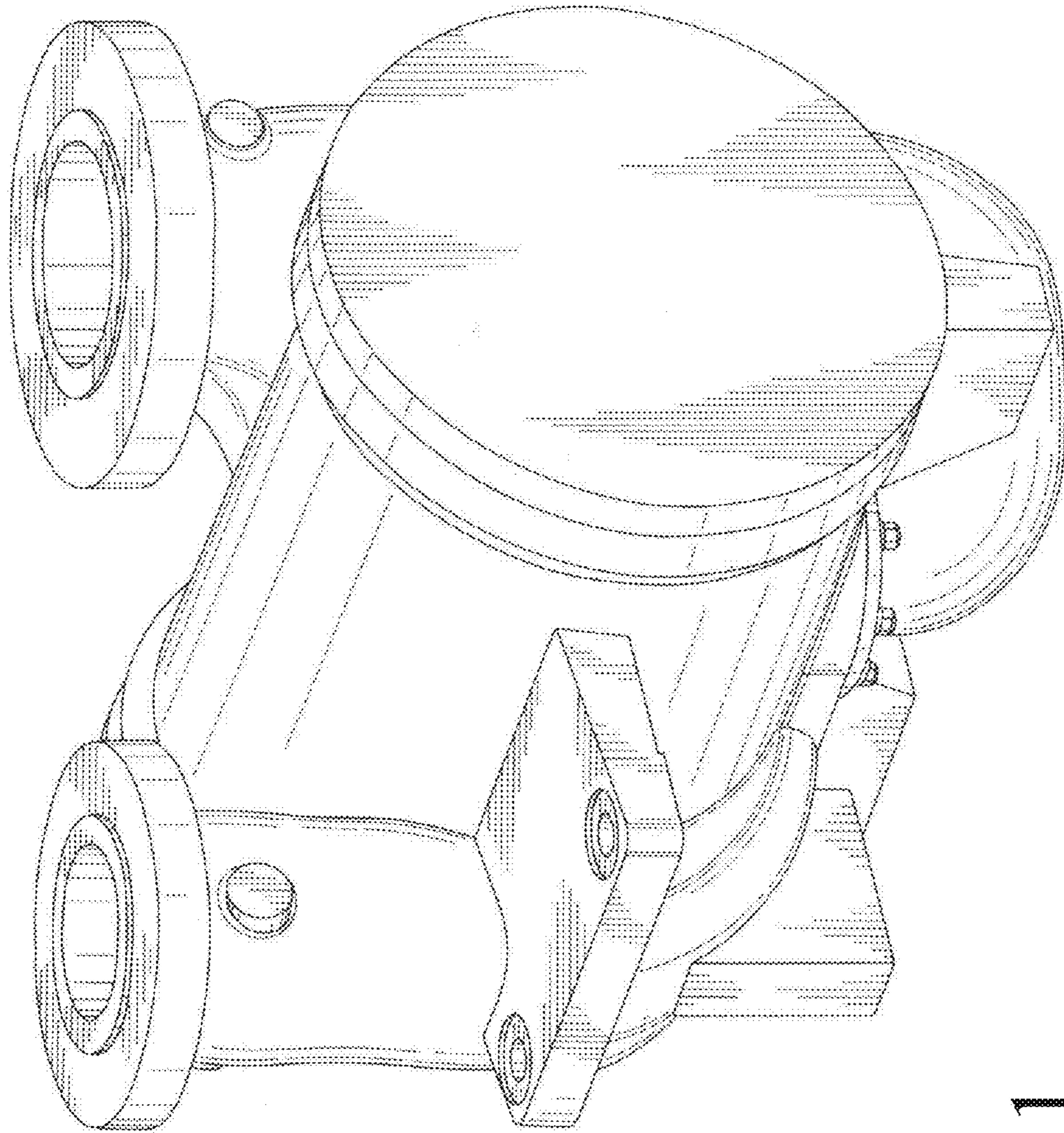


Fig. 1

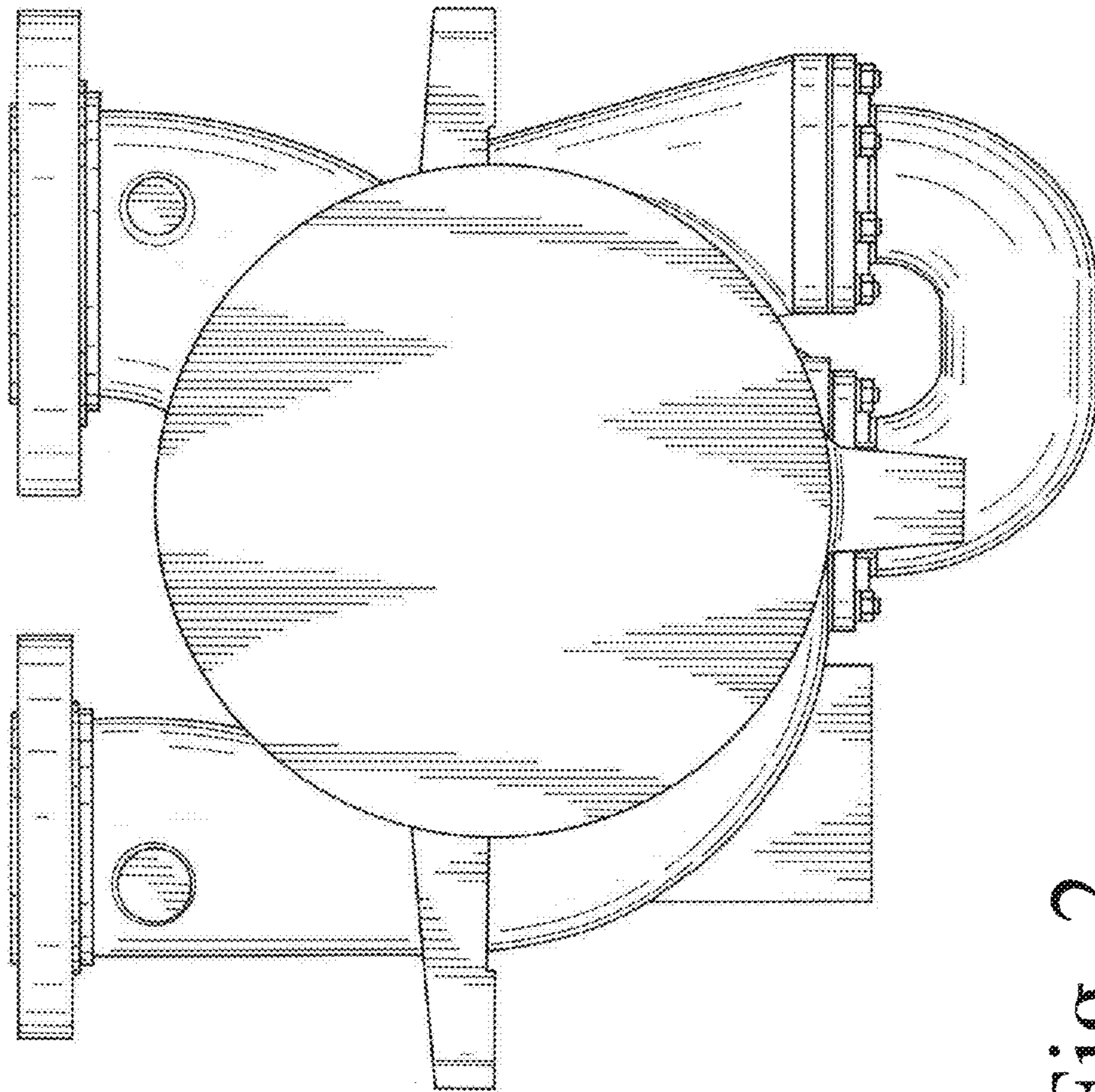


Fig. 2

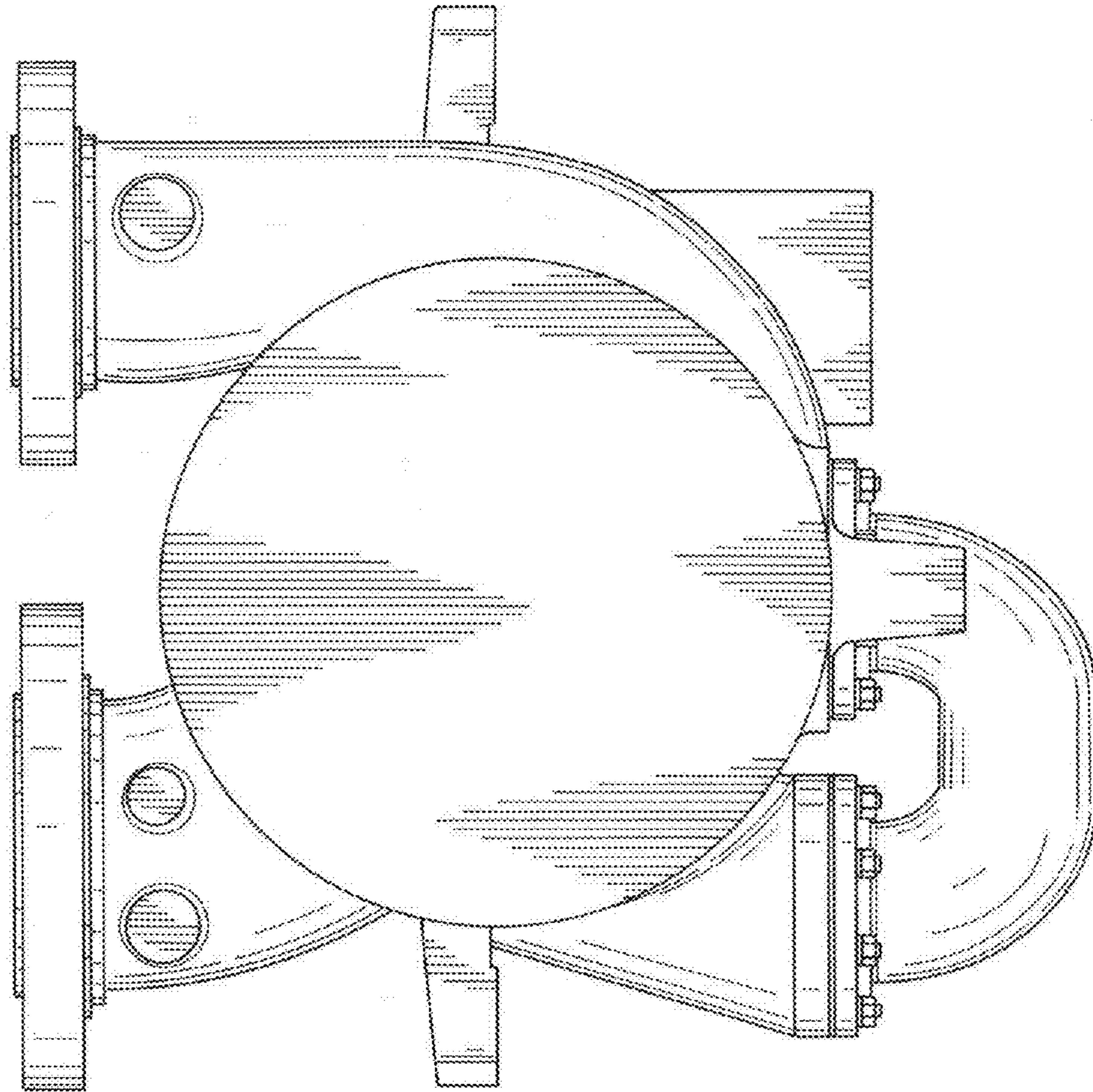


Fig. 3

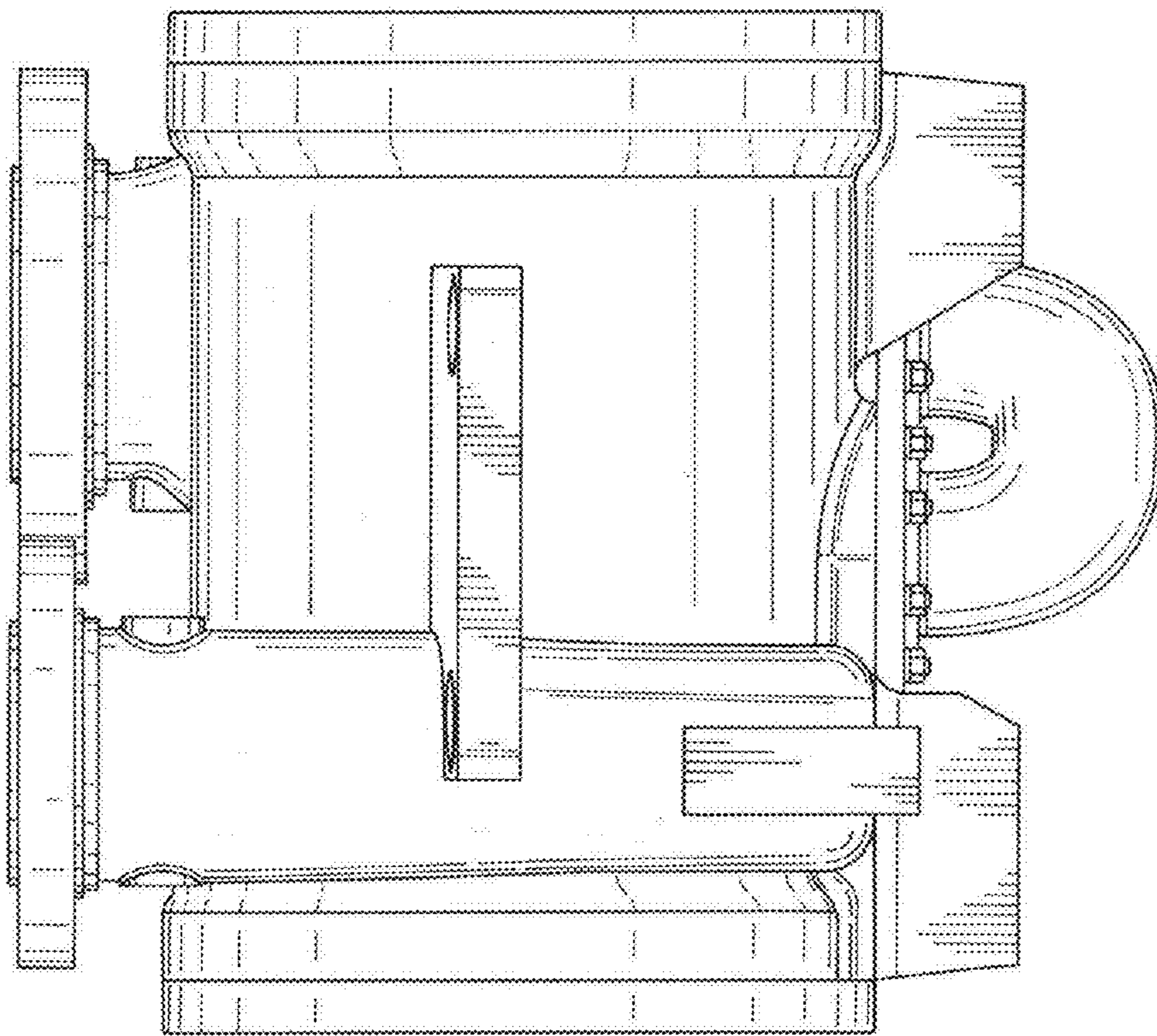


Fig. 4

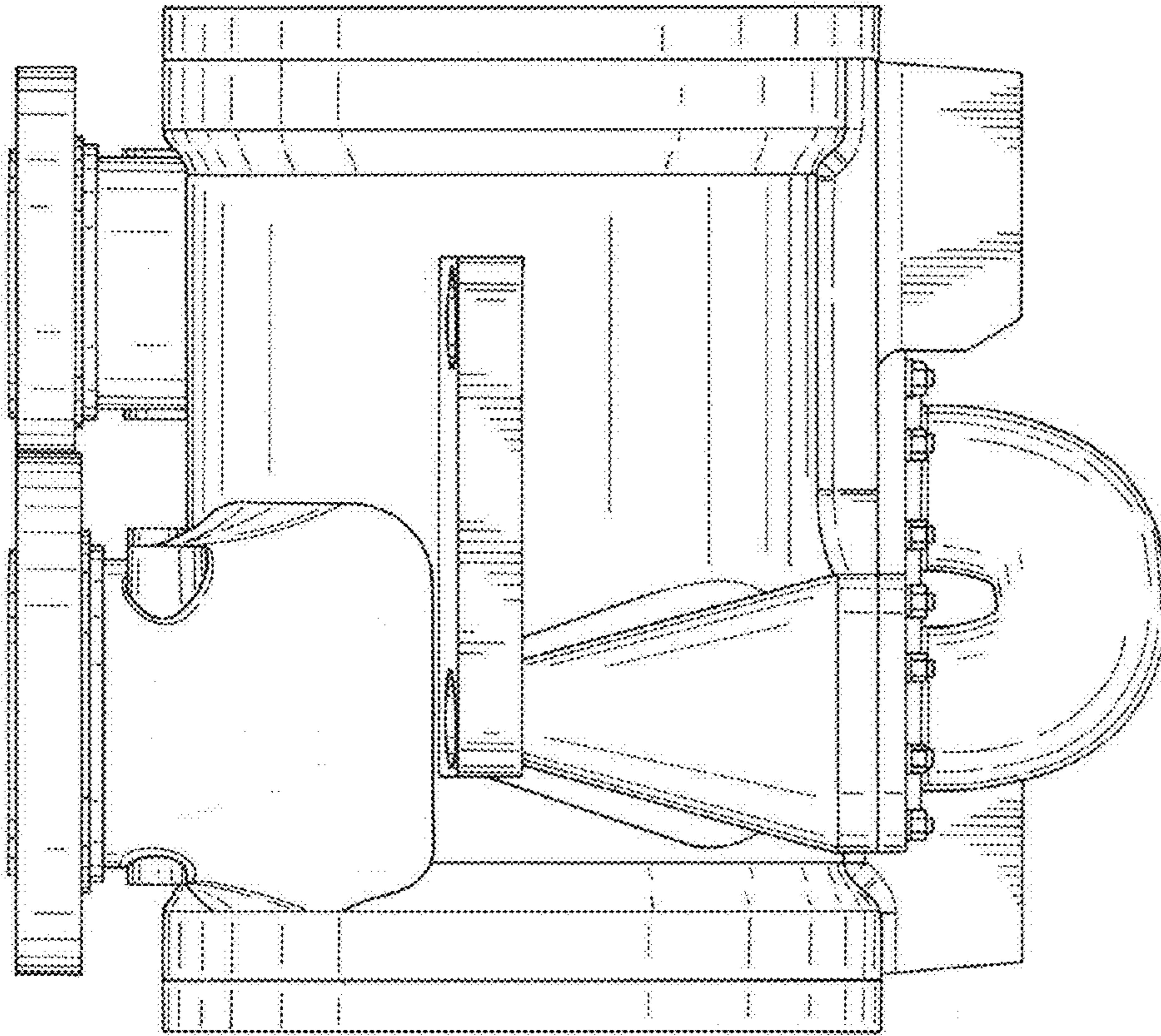


Fig. 5

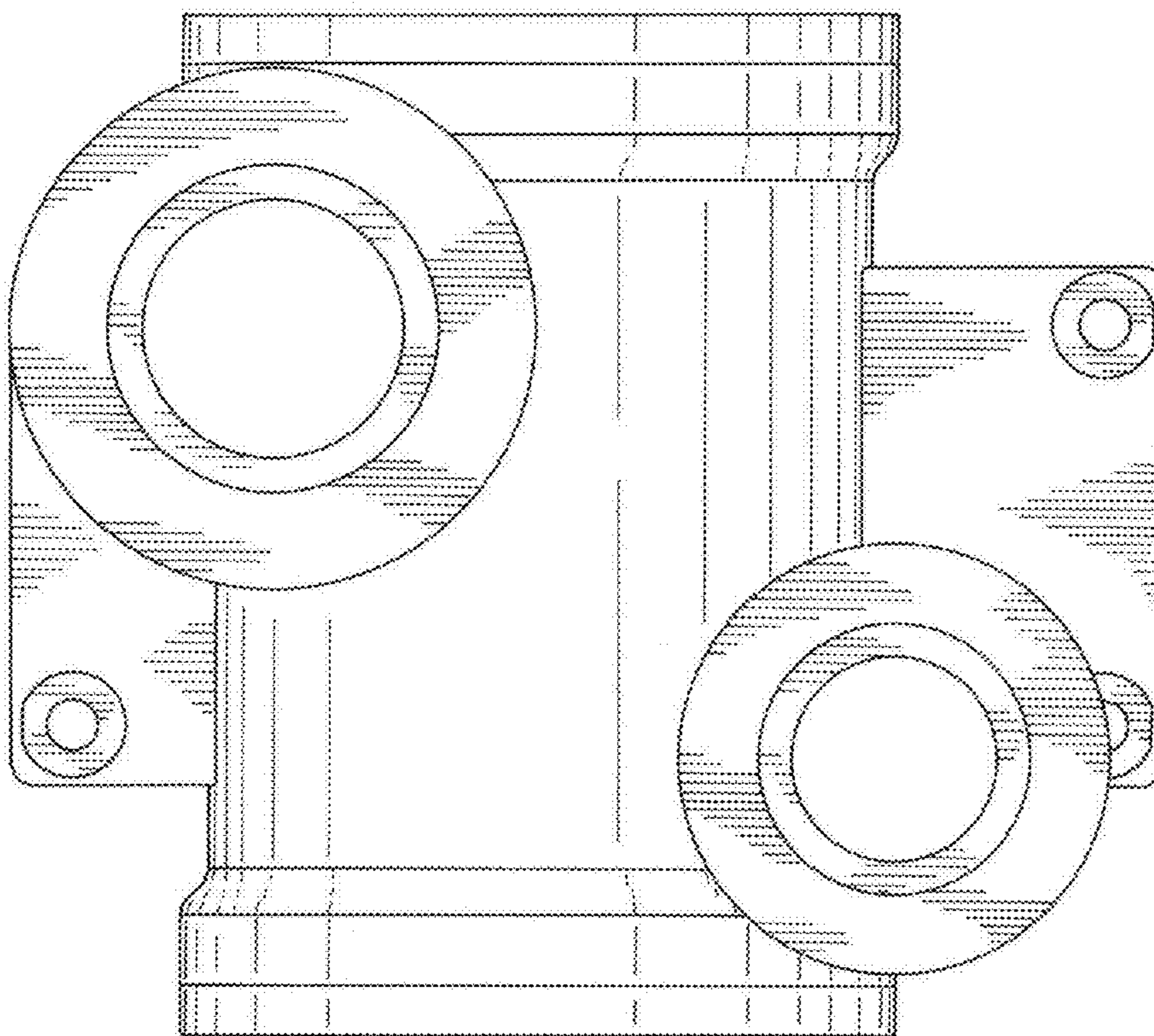


Fig. 6

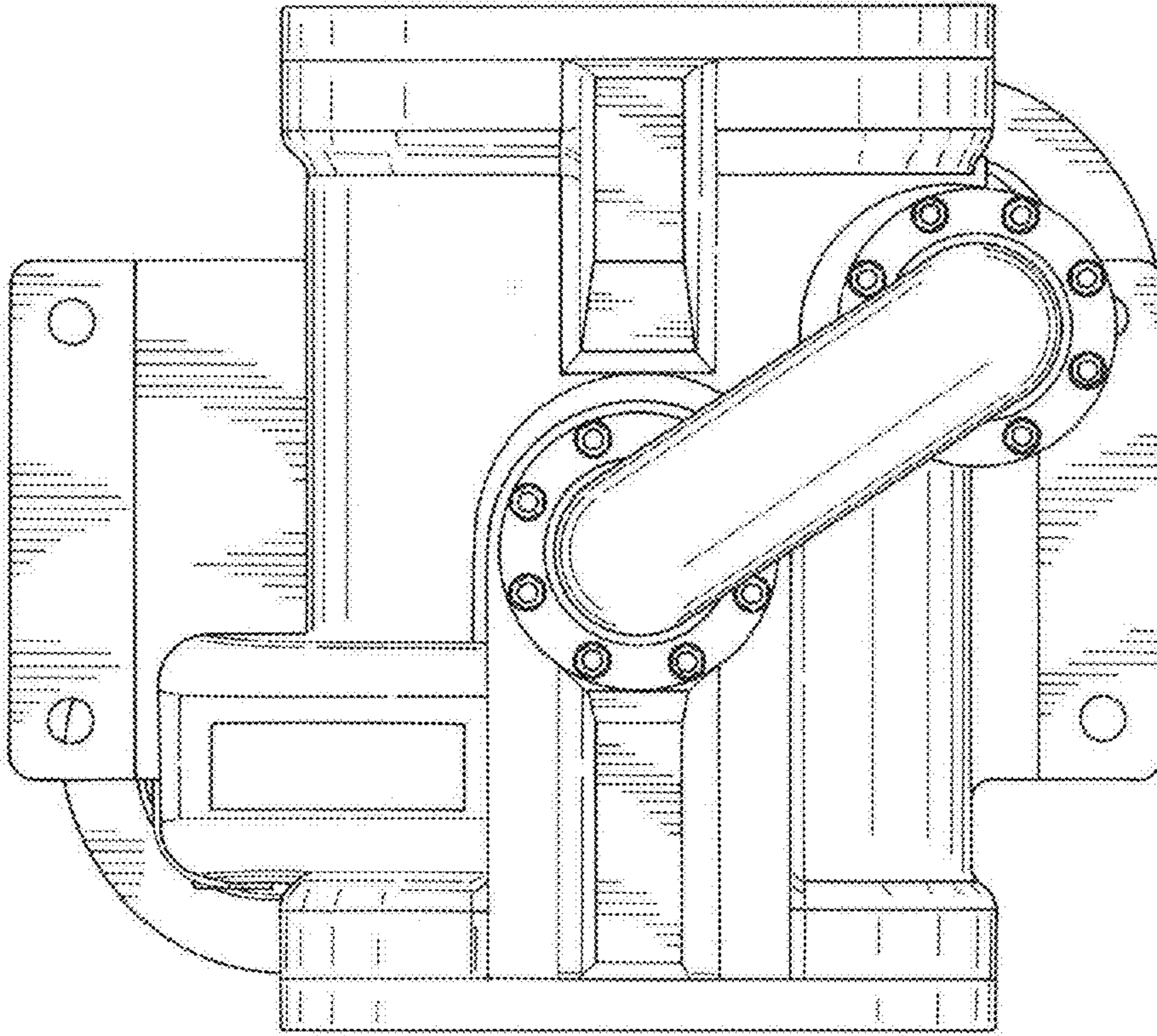


Fig. 7

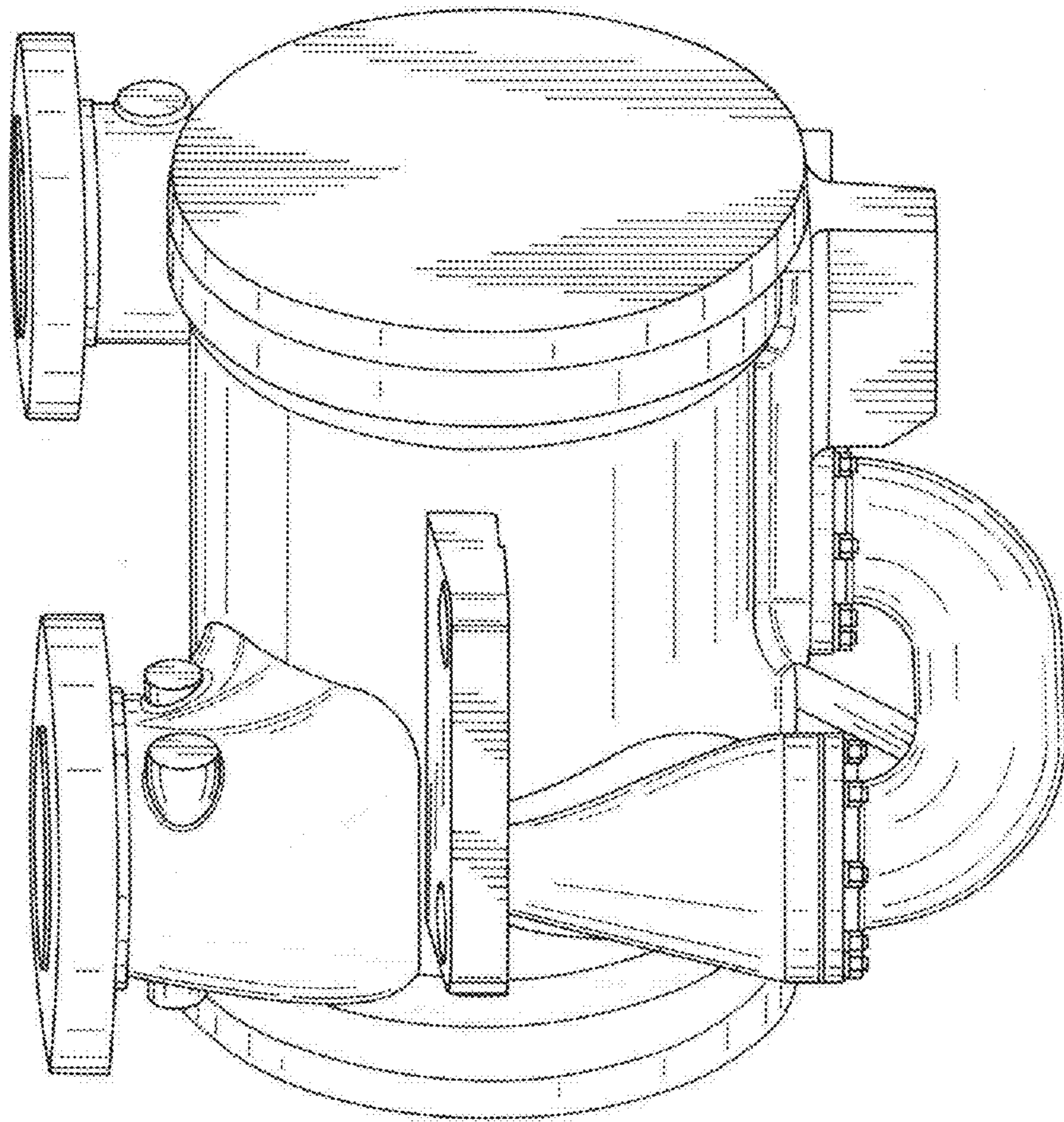


Fig. 8

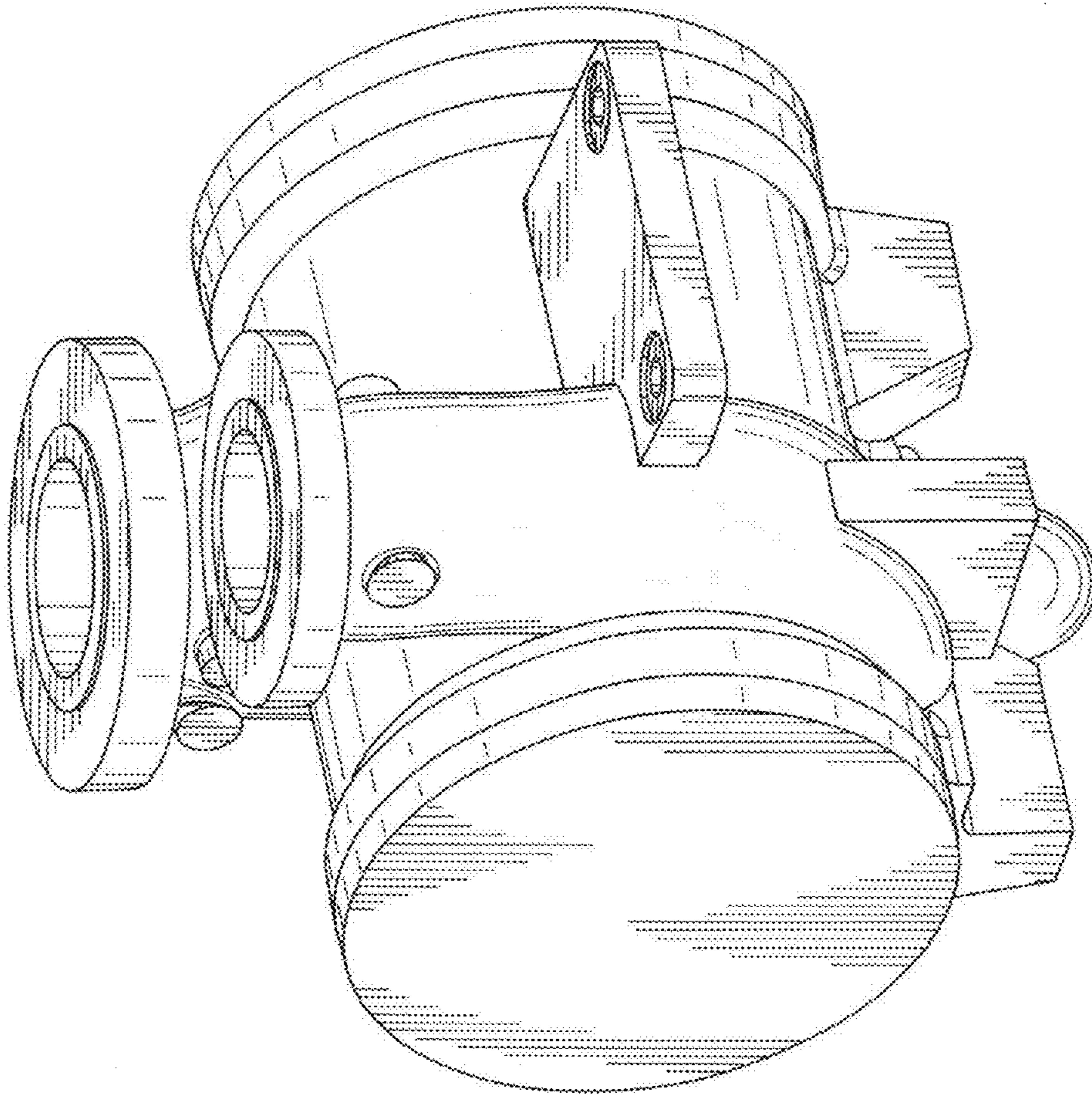


Fig. 9