



US00D699762S

(12) **United States Design Patent**
Alexander et al.

(10) **Patent No.:** **US D699,762 S**
(45) **Date of Patent:** **** Feb. 18, 2014**

(54) **PUMP**

(56) **References Cited**

(71) Applicants: **Gus Alexander**, Inverness, IL (US);
James E. Welch, Bentonville, AR (US);
Wang Xu Dong, Shenyang (CN)

U.S. PATENT DOCUMENTS

| | | | | | |
|------------|---|---------|------------------|-------|-------|
| D354,495 S | * | 1/1995 | Tojo | | D15/7 |
| D538,824 S | * | 3/2007 | Tojo | | D15/7 |
| D538,826 S | * | 3/2007 | Kienzle | | D15/9 |
| D633,406 S | * | 3/2011 | Magri | | D15/7 |
| D670,312 S | * | 11/2012 | Alexander et al. | | D15/7 |

(72) Inventors: **Gus Alexander**, Inverness, IL (US);
James E. Welch, Bentonville, AR (US);
Wang Xu Dong, Shenyang (CN)

* cited by examiner

(73) Assignee: **FNA IP Holdings, Inc.**, Elk Grove
Village, IL (US)

Primary Examiner — Ralf Seifert

(74) *Attorney, Agent, or Firm* — Steven E. Jedlinski;
Holland & Knight LLP

(**) Term: **14 Years**

(57) **CLAIM**

The ornamental design for a pump, as shown and described.

(21) Appl. No.: **29/434,059**

DESCRIPTION

(22) Filed: **Oct. 9, 2012**

(51) **LOC (10) Cl.** **15-02**

(52) **U.S. Cl.**
USPC **D15/7**

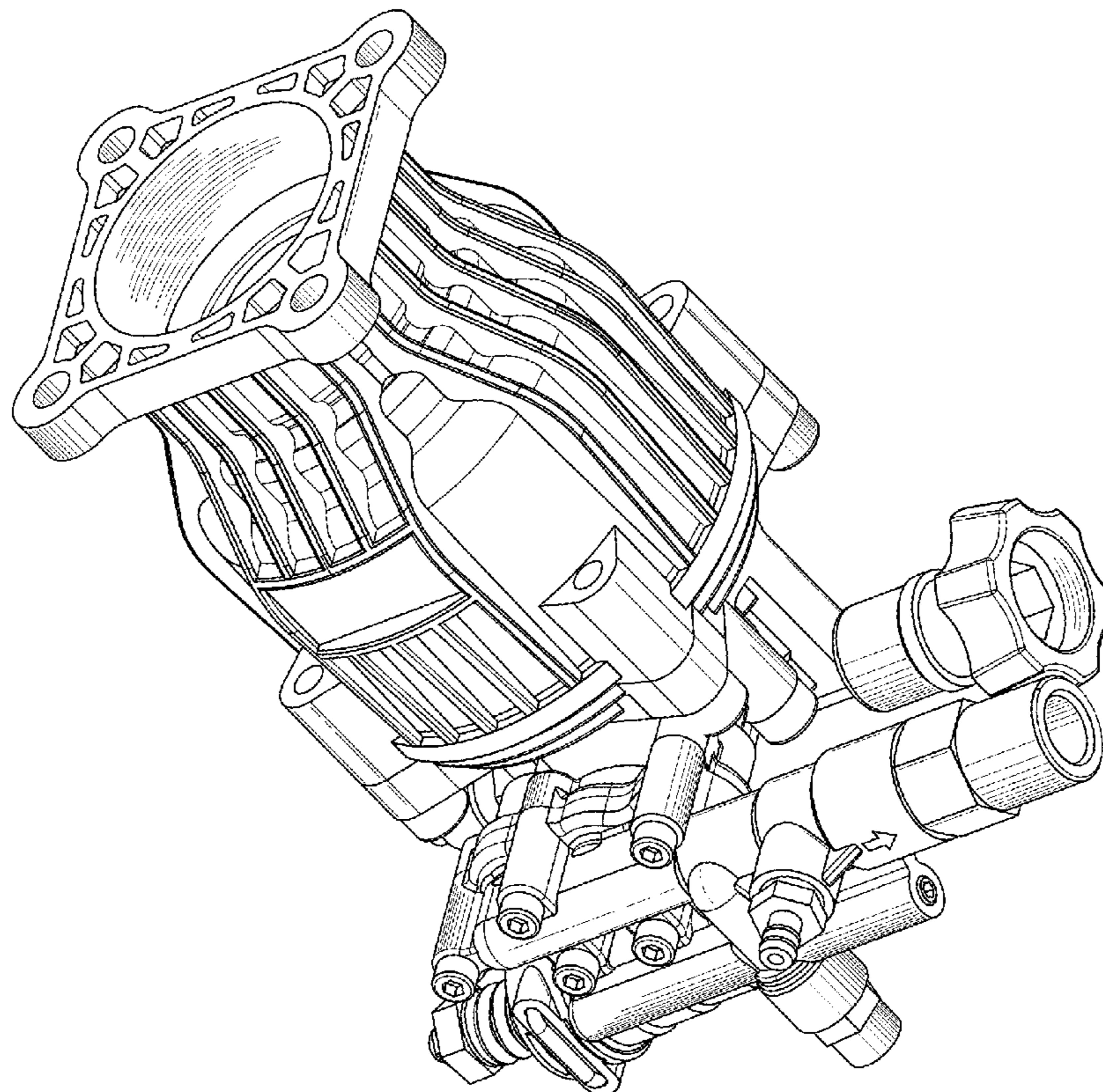
(58) **Field of Classification Search**
USPC D15/7-9; D23/231, 232, 225; 417/60,
417/235, 265, 321, 355, 358, 363, 359,
417/410.1, 415-416, 405, 900; 60/408,
60/412; 184/26-37; 415/140-147;
123/495, 509; D24/111

FIG. 1 is a perspective view of a pump as viewed from the front right side;
FIG. 2 is a perspective view of a pump as viewed from the rear left side;
FIG. 3 is a left side elevation view thereof;
FIG. 4 is a right side elevation view thereof;
FIG. 5 is a front elevation view thereof;
FIG. 6 is a rear elevation view thereof;
FIG. 7 is a top plan view thereof; and,
FIG. 8 is a bottom plan view thereof.

The broken lines in FIGS. 2, 4, and 8 are included for the purpose of illustrating portions of the pump that form no part of the claimed design.

See application file for complete search history.

1 Claim, 8 Drawing Sheets



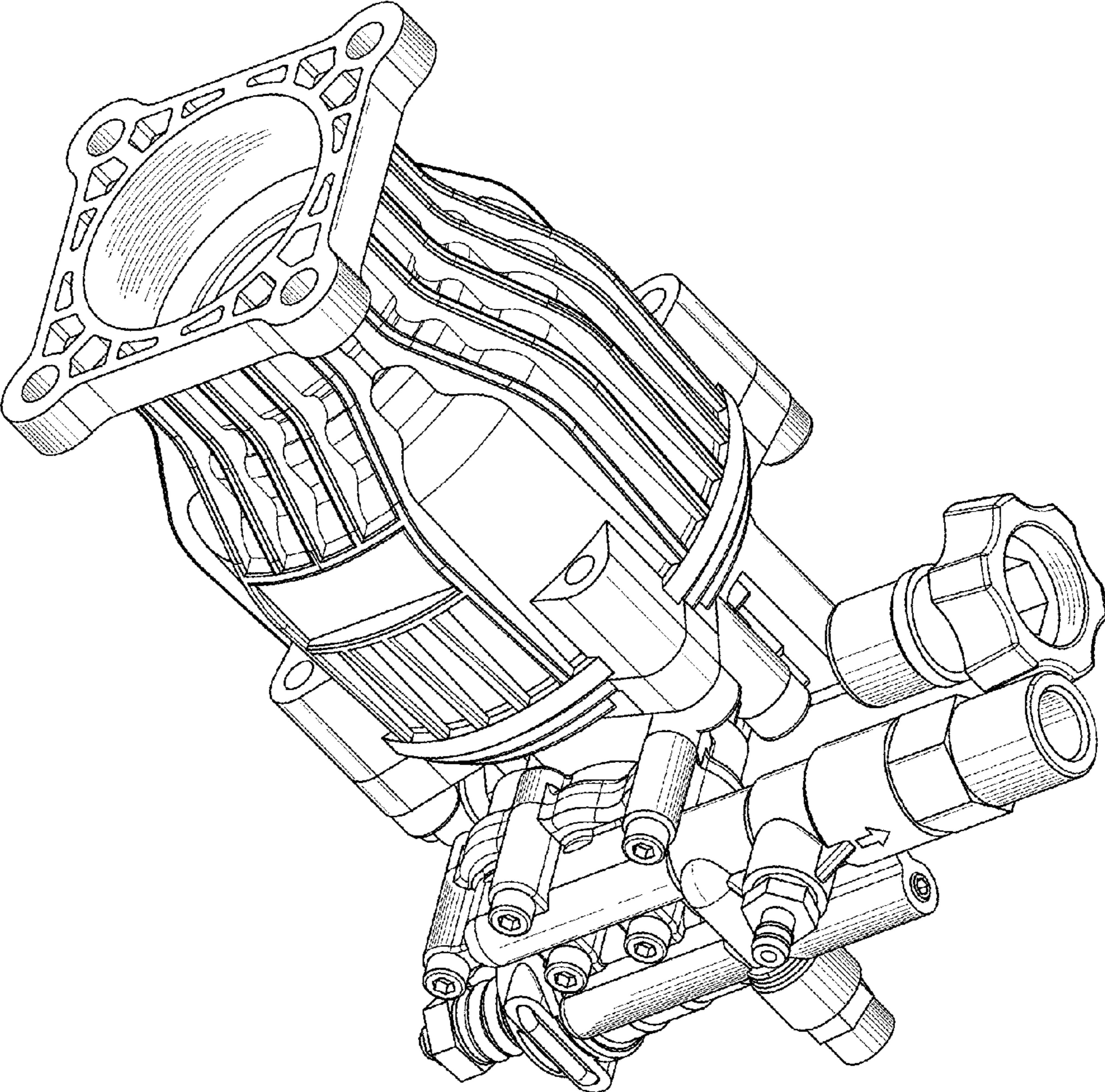


FIG. 1

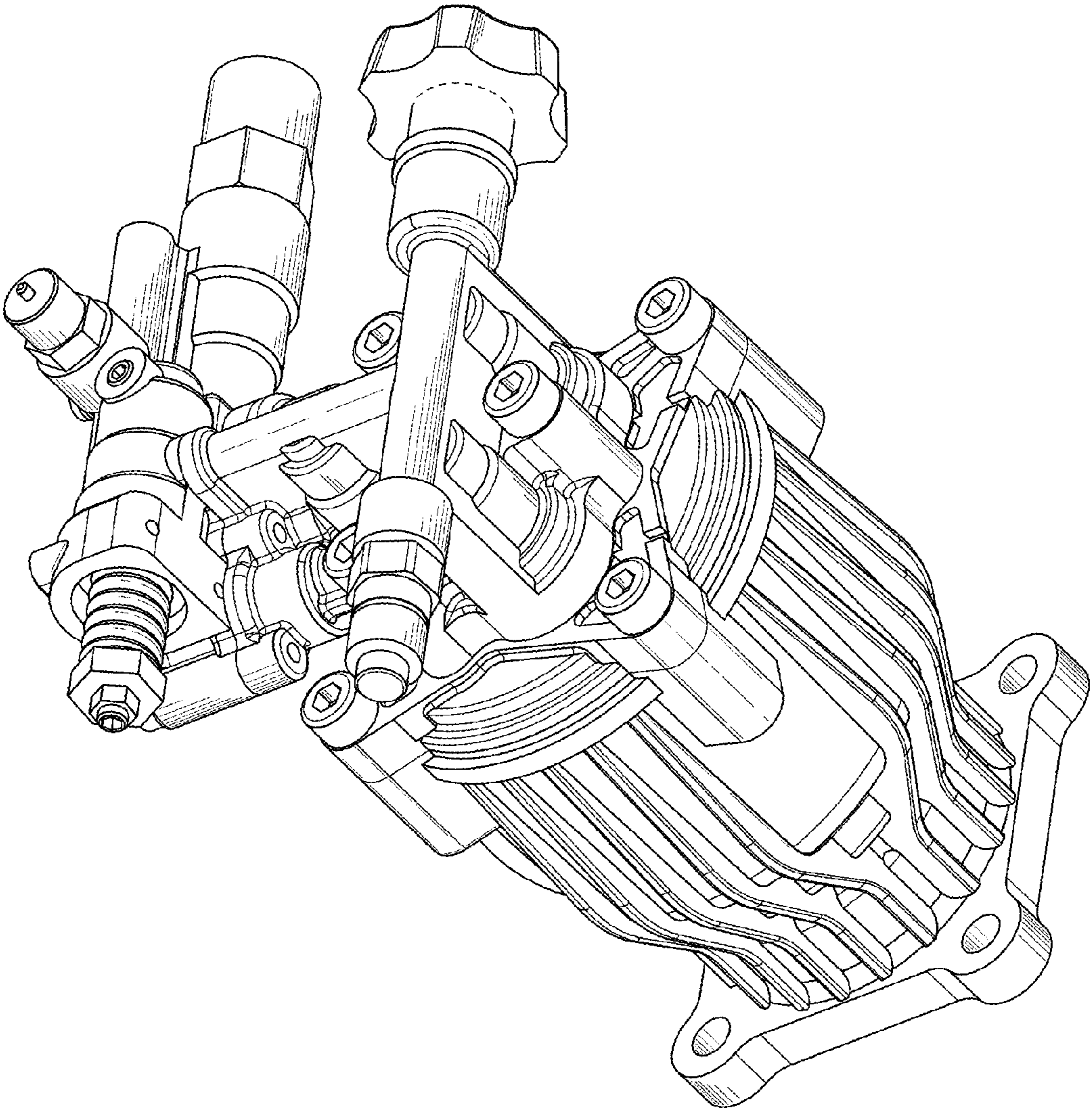


FIG. 2

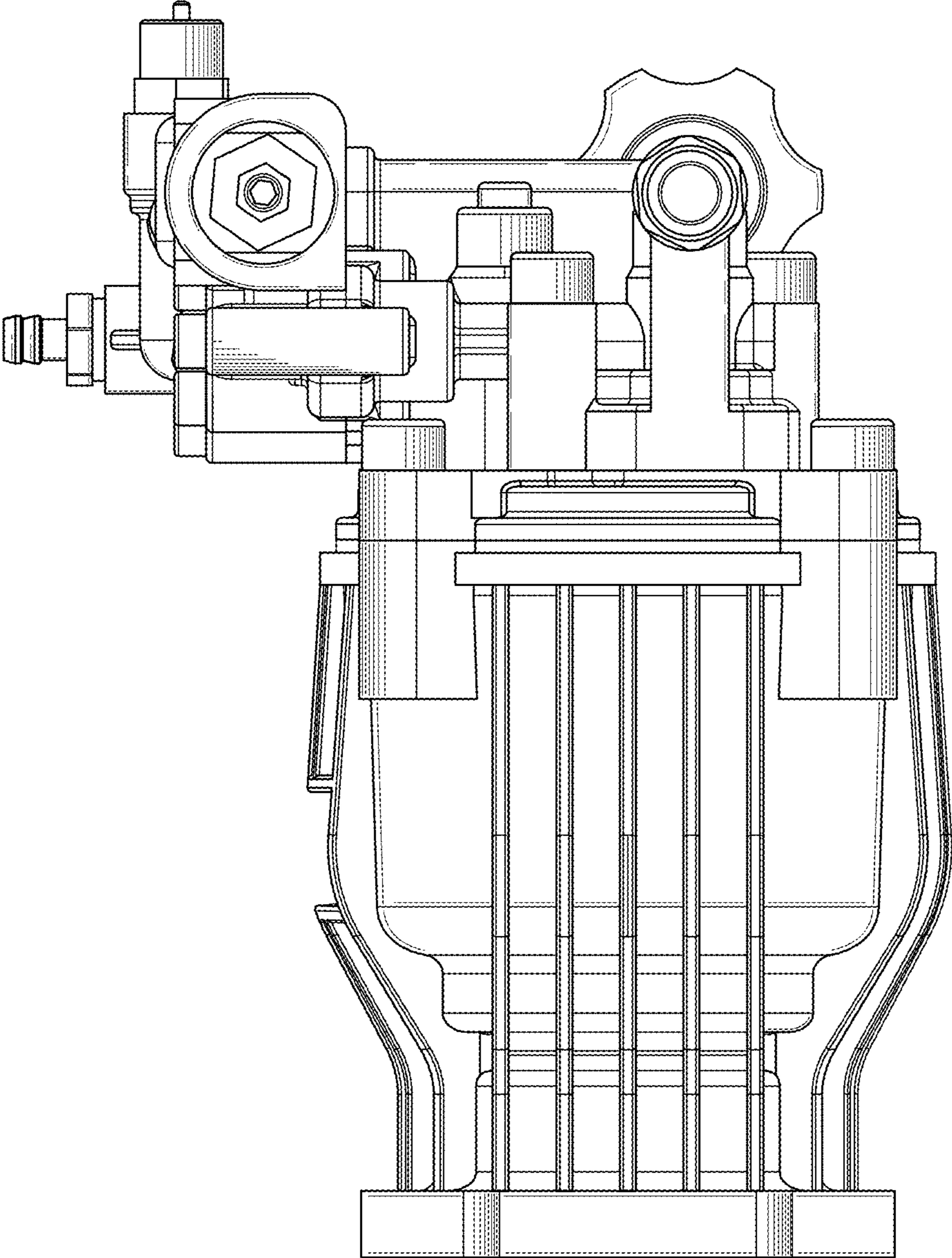


FIG. 3

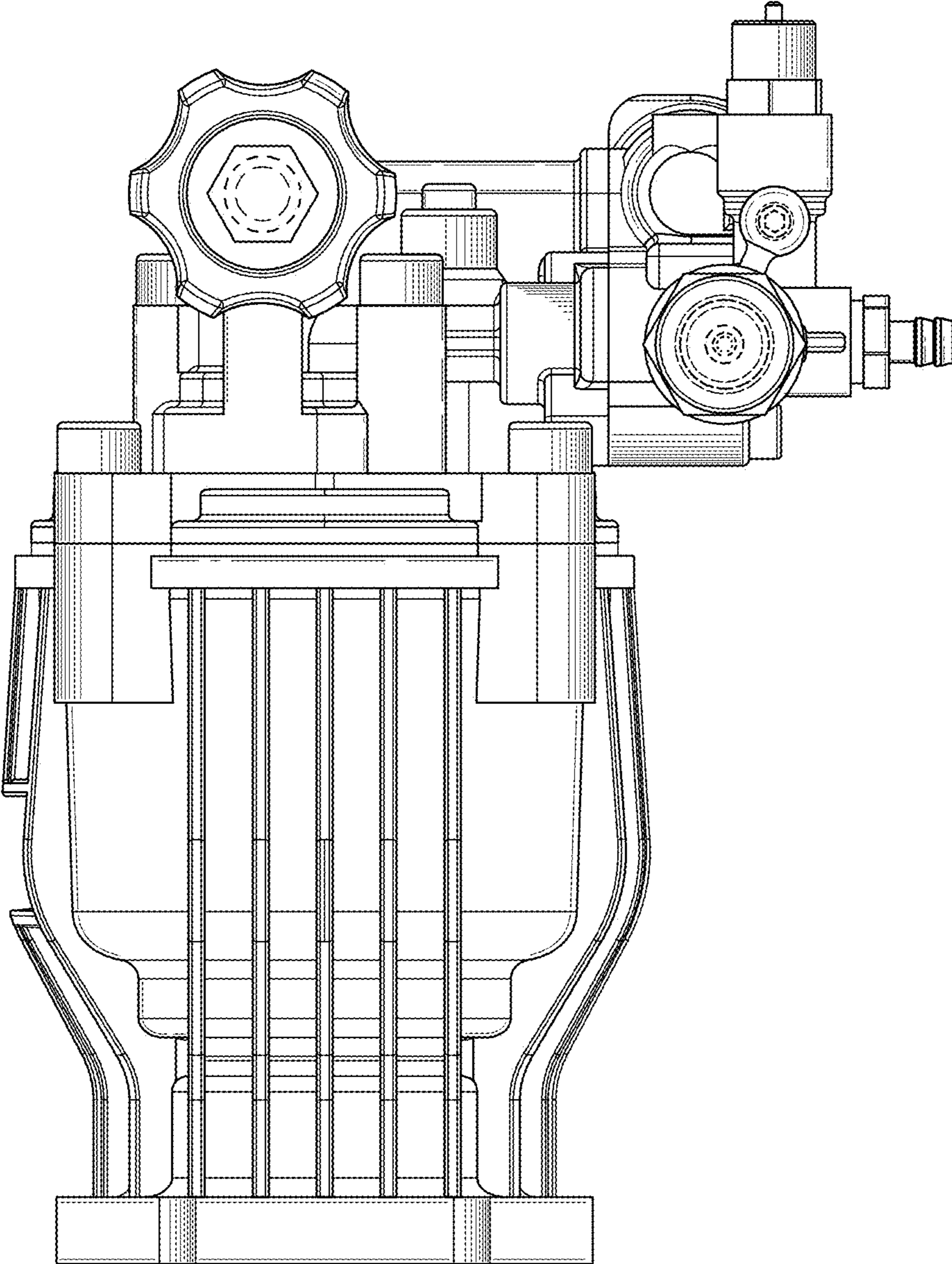


FIG. 4

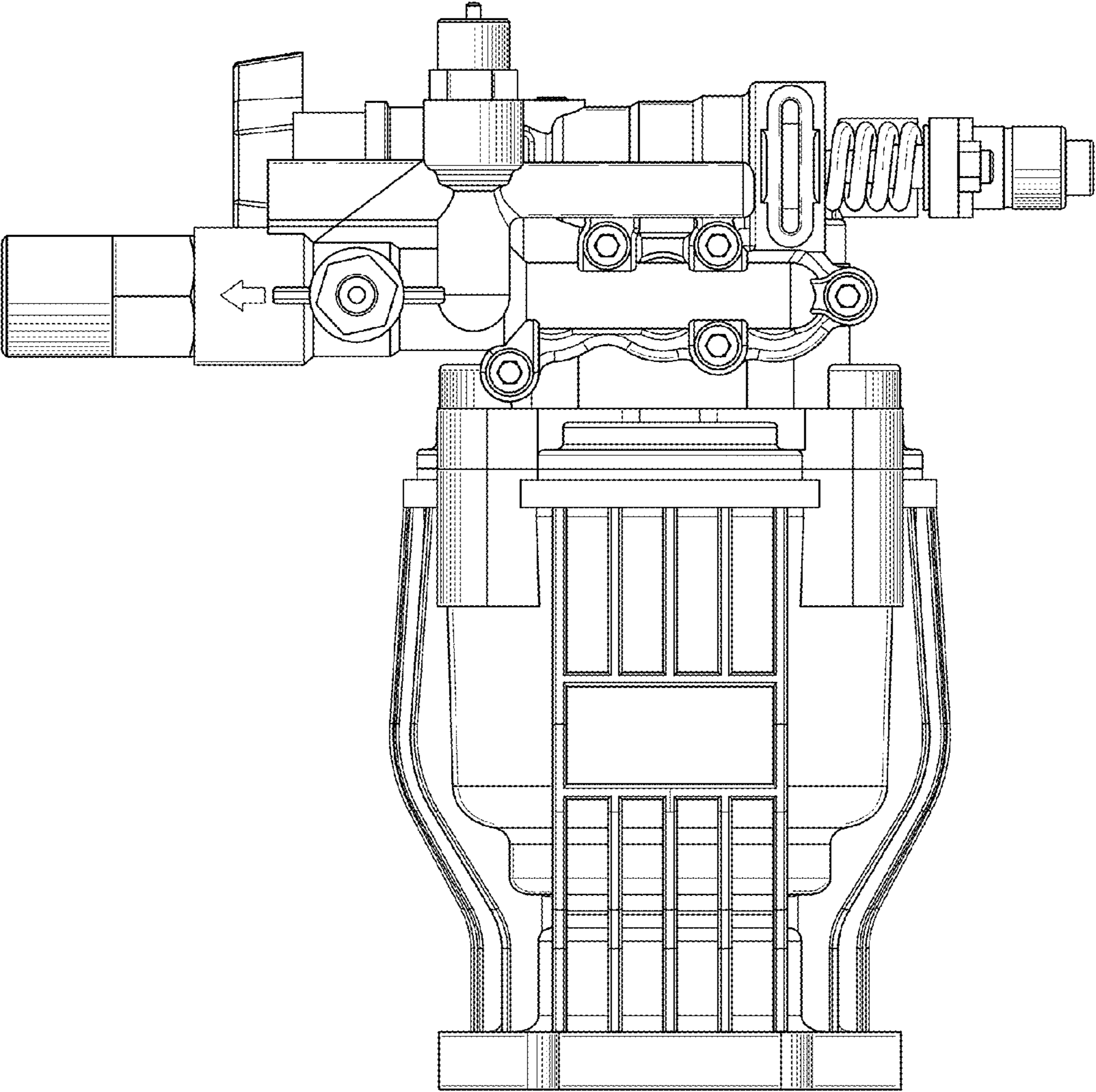


FIG. 5

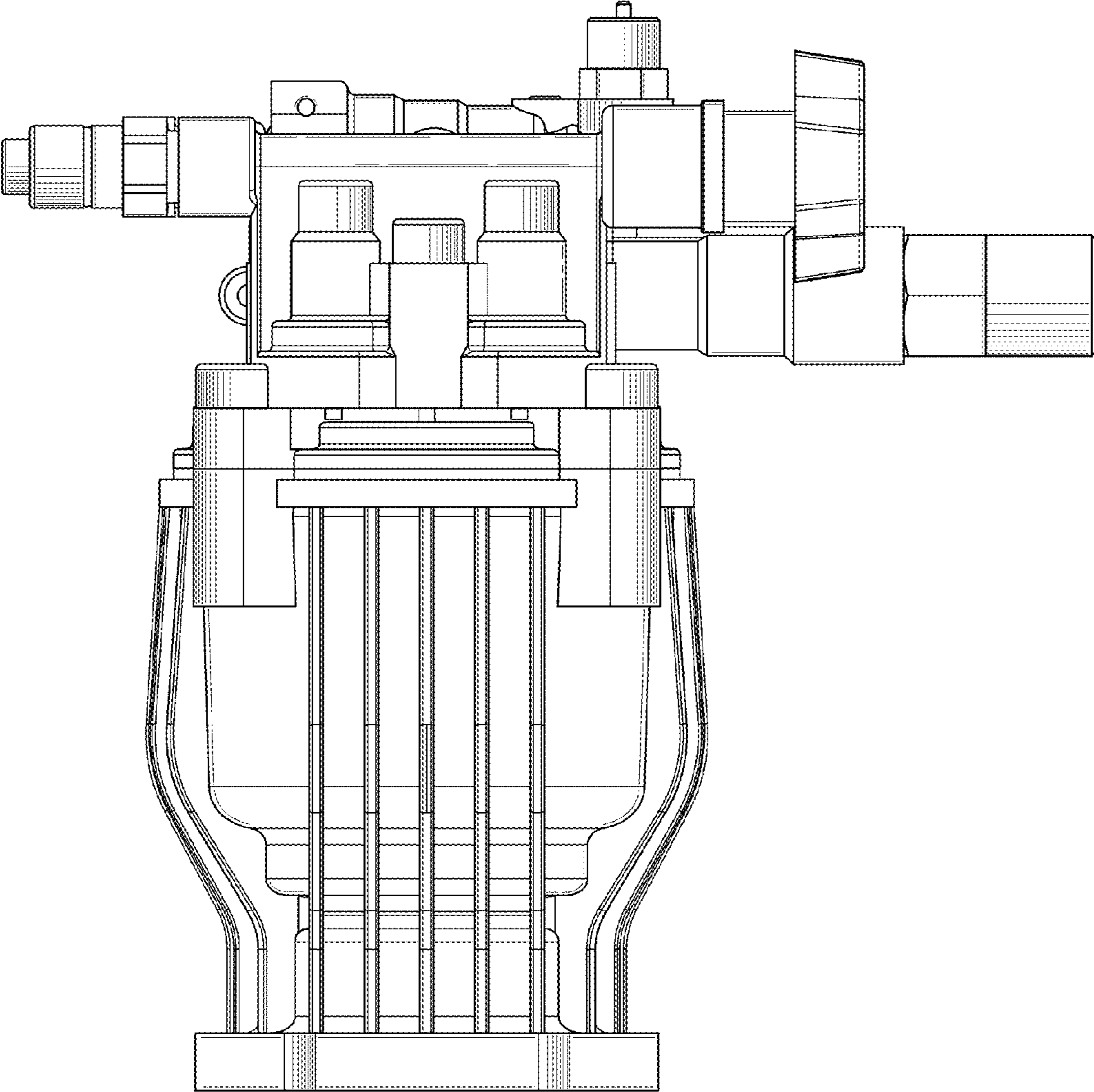


FIG. 6

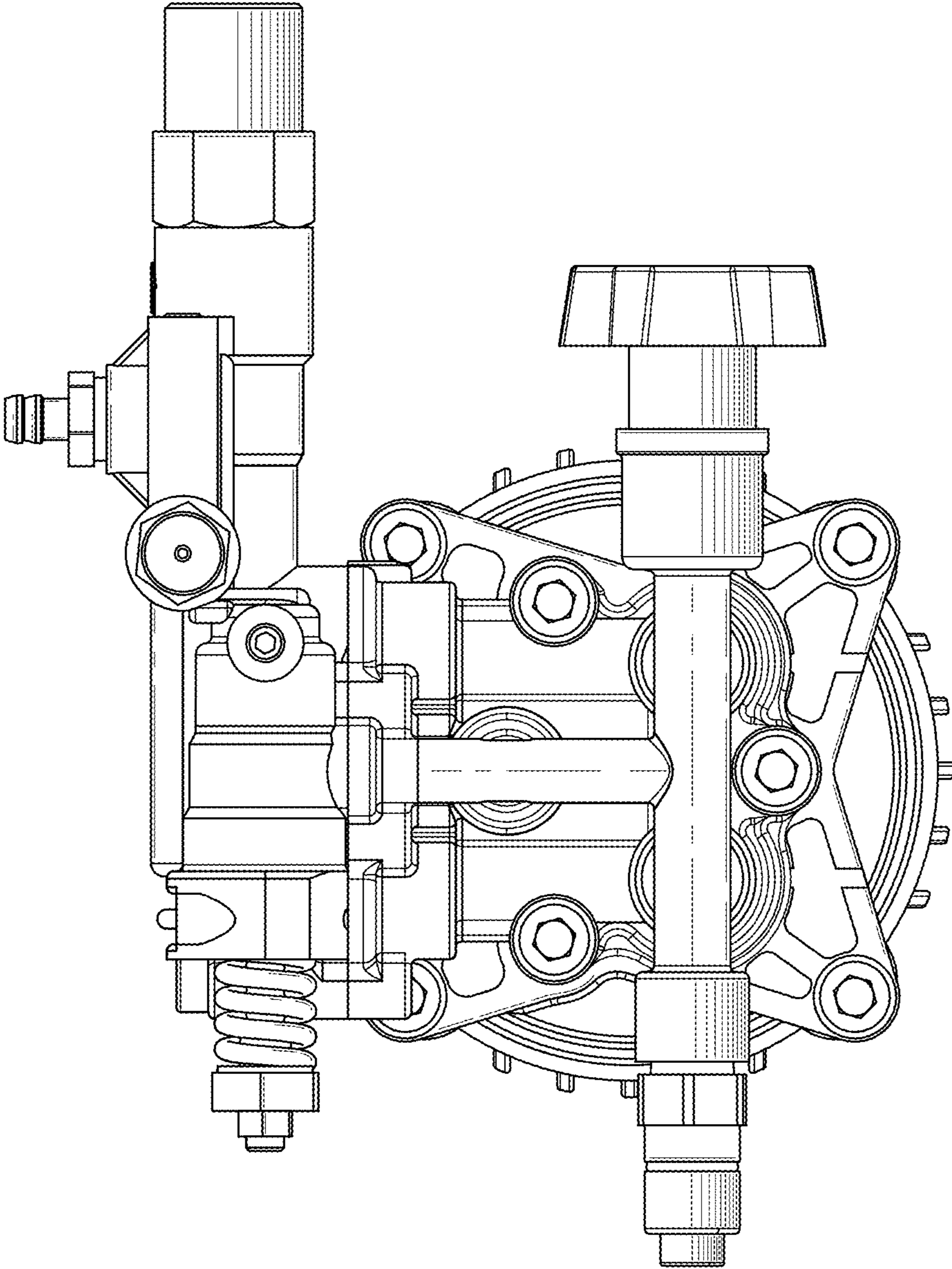


FIG. 7

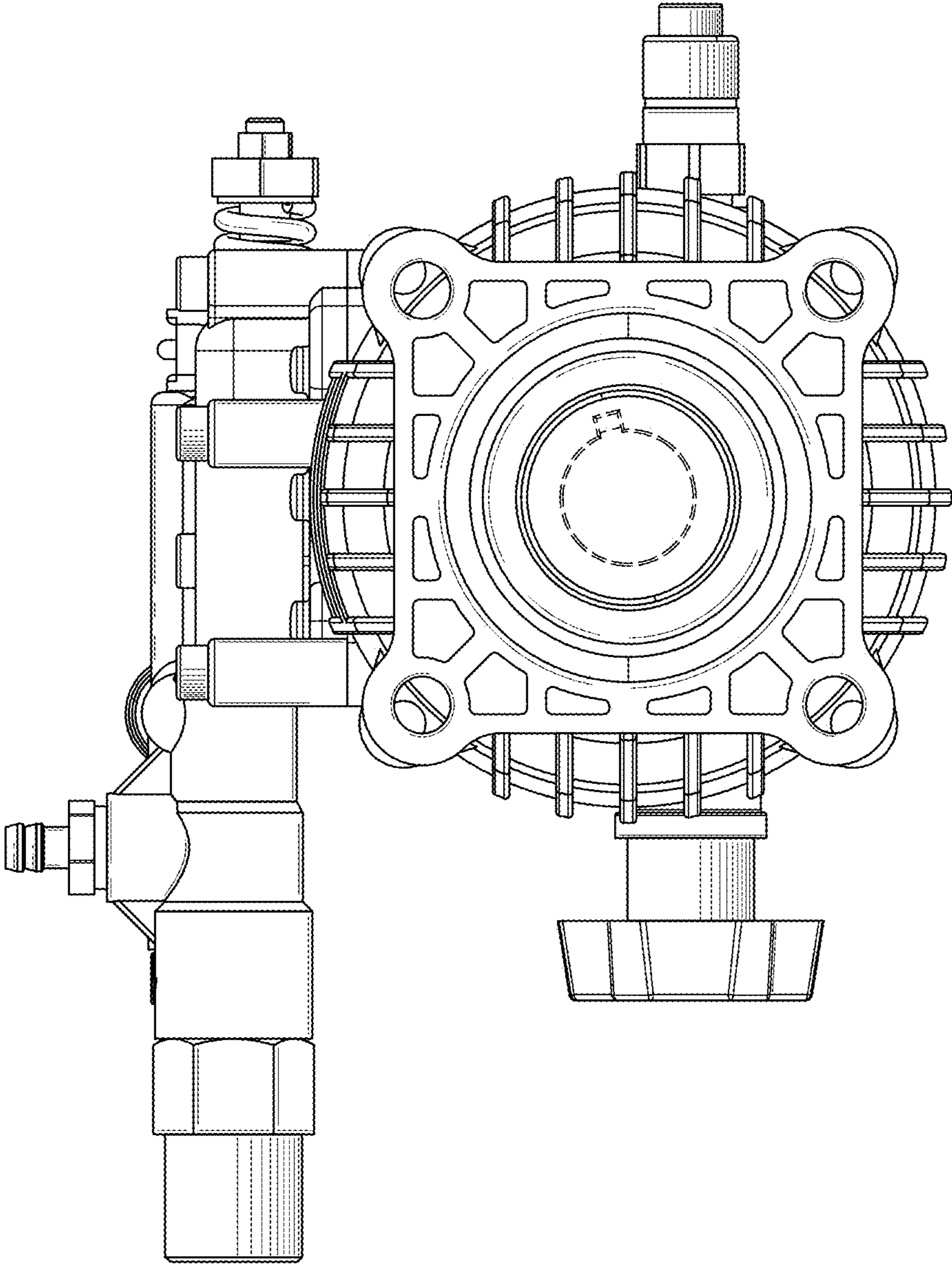


FIG. 8