



US00D699761S

(12) **United States Design Patent**
Peschel

(10) **Patent No.:** **US D699,761 S**

(45) **Date of Patent:** **** Feb. 18, 2014**

(54) **PNEUMATIC CYLINDER**

(71) Applicant: **Jörg Peschel**, Esslingen (DE)

(72) Inventor: **Jörg Peschel**, Esslingen (DE)

(73) Assignee: **Festo AG & Co. KG**, Esslingen (DE)

(**) Term: **14 Years**

(21) Appl. No.: **29/433,273**

(22) Filed: **Sep. 27, 2012**

(30) **Foreign Application Priority Data**

Apr. 2, 2012 (EM) 002018754-0006

(51) **LOC (10) Cl.** **15-02**

(52) **U.S. Cl.**
USPC **D15/7**

(58) **Field of Classification Search**
USPC D15/7-9, 143; D23/231, 232, 225;
417/60, 235, 265, 321, 355, 358, 363,
417/359, 410.1, 415-416, 405, 900;
60/408, 412; 184/26-37; 415/140-147;
123/495, 509; D24/111
See application file for complete search history.

(56) **References Cited**

U.S. PATENT DOCUMENTS

D370,683 S * 6/1996 Stahlman et al. D15/7
D378,680 S * 4/1997 Ikumi D15/7

D380,217 S * 6/1997 Jermeay et al. D15/5
D417,457 S * 12/1999 Asahara D15/7
D420,683 S * 2/2000 Suzuki D15/7
D480,405 S 10/2003 Kleffmann et al.
D572,282 S 7/2008 Yaegashi
D575,175 S 8/2008 Suzuki
D584,324 S 1/2009 Yaegashi
D643,856 S * 8/2011 Taniguchi et al. D15/7
D669,097 S * 10/2012 Hariwara D15/7
D669,098 S * 10/2012 Hariwara D15/7
D682,901 S * 5/2013 Peschel D15/143

* cited by examiner

Primary Examiner — Ralf Seifert

(74) *Attorney, Agent, or Firm* — Hoffmann & Baron, LLP

(57) **CLAIM**

The ornamental design for a pneumatic cylinder, as shown and described.

DESCRIPTION

FIG. 1 is a top perspective view of a pneumatic cylinder showing my new design;
FIG. 2 is a left side view thereof;
FIG. 3 is a right side view thereof;
FIG. 4 is a front view thereof;
FIG. 5 is a rear view thereof;
FIG. 6 is a top plan view thereof; and,
FIG. 7 is a bottom plan view thereof.
The broken lines in FIG. 6 are included for the purpose of illustrating portions of the pneumatic cylinder that form no part of the claimed design.

1 Claim, 7 Drawing Sheets

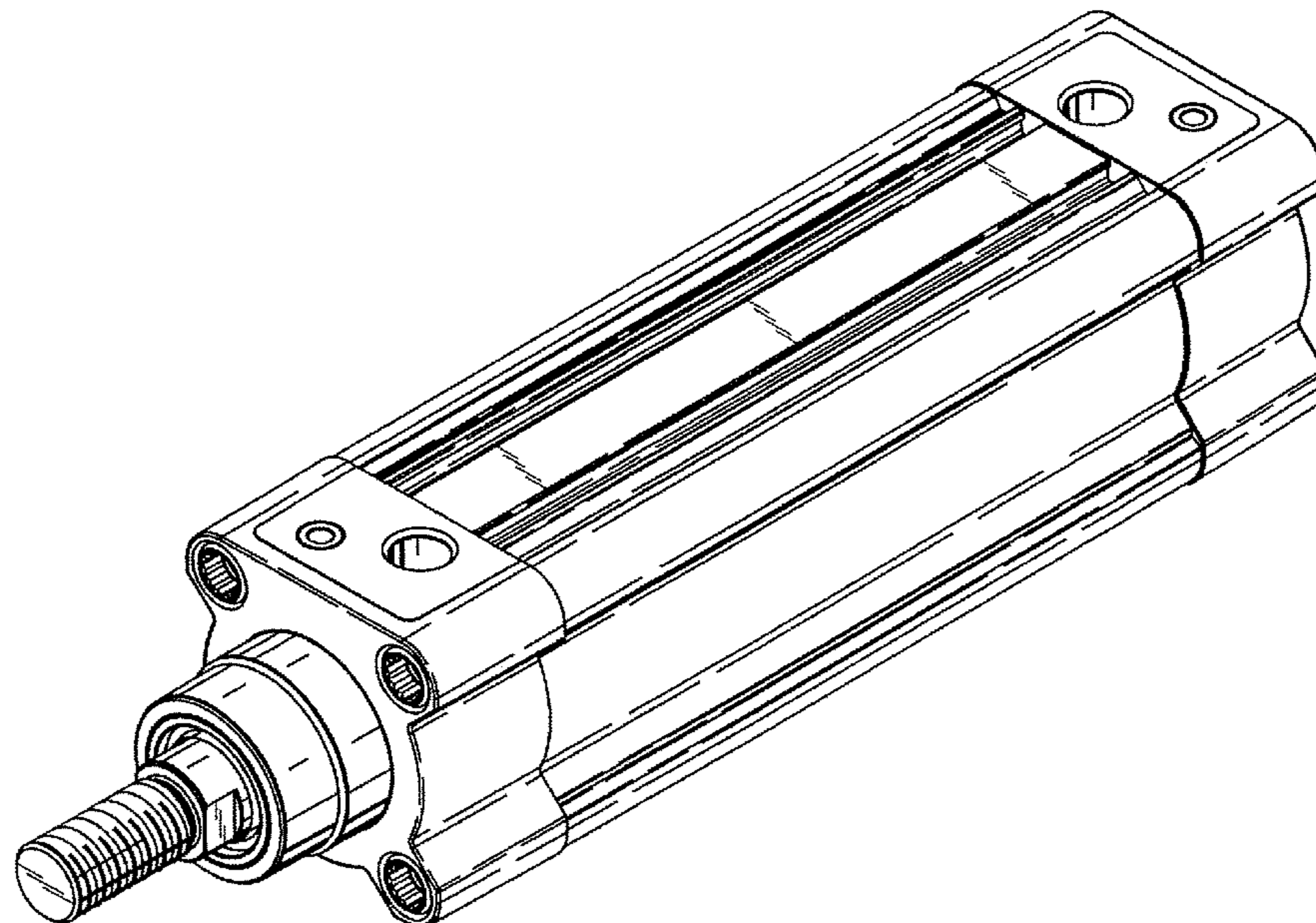


Fig. 1

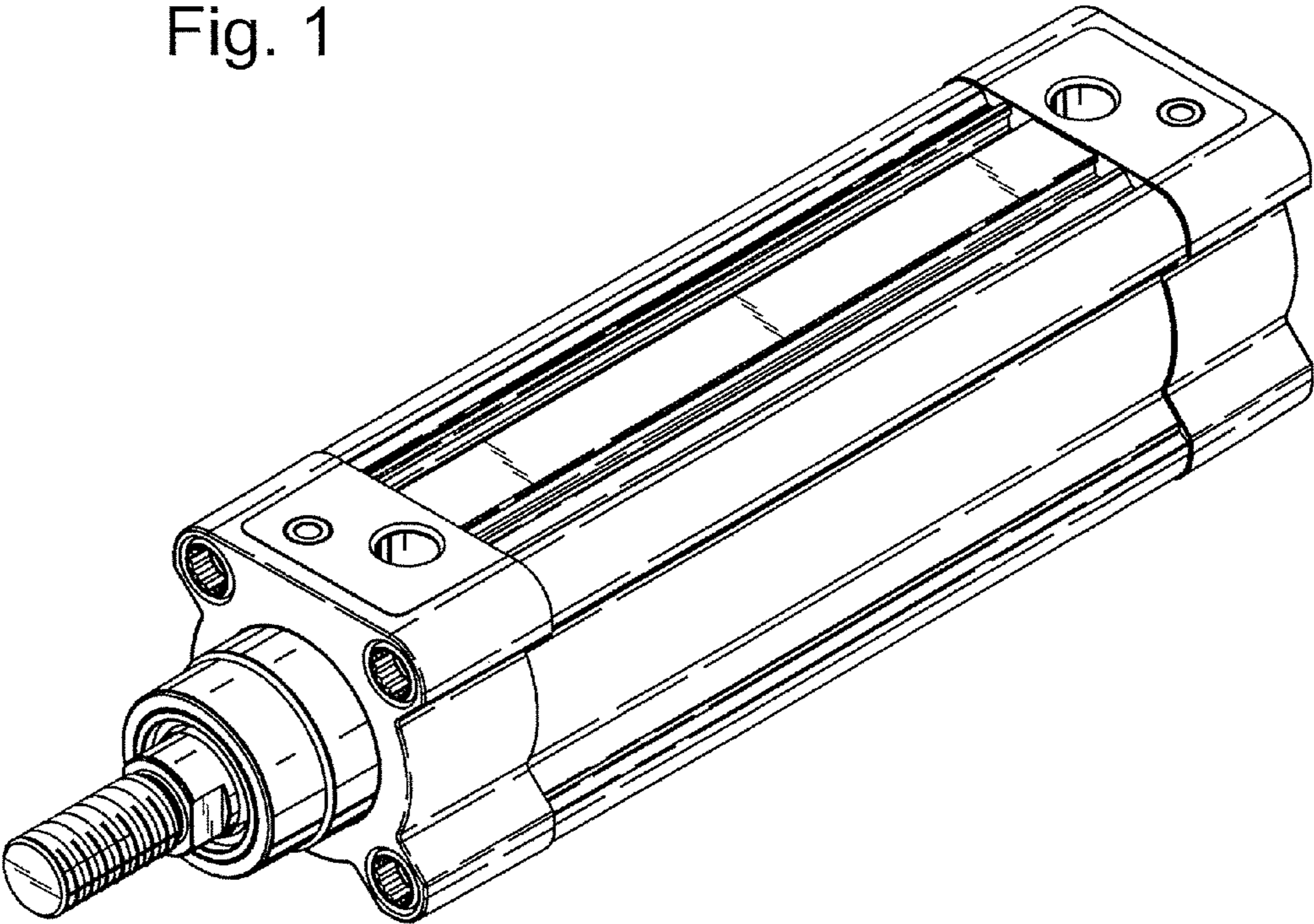


Fig. 2

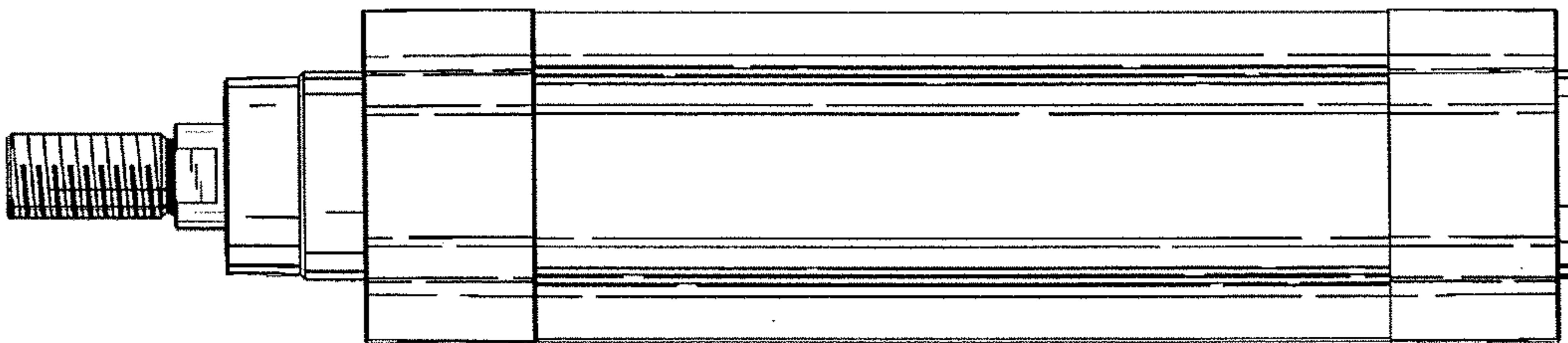


Fig. 3

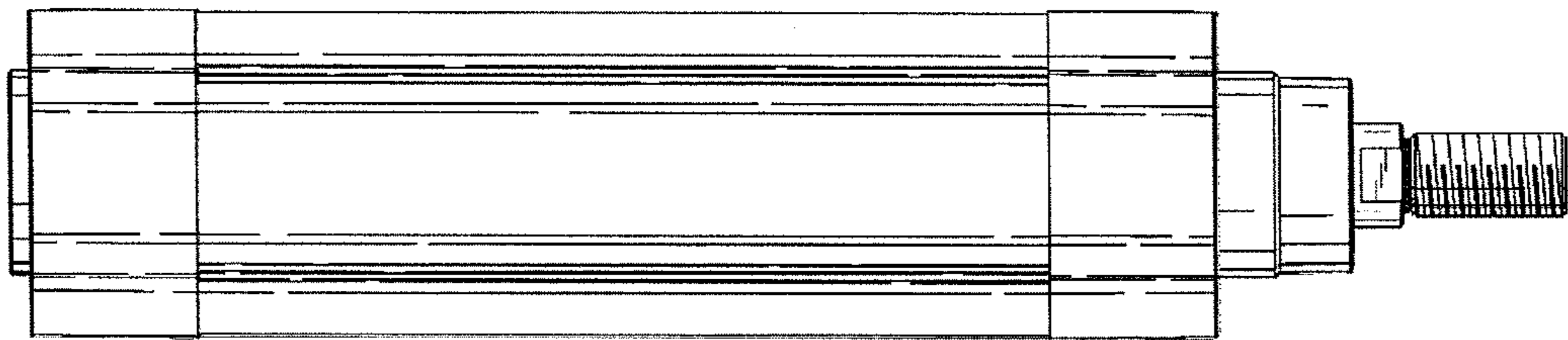


Fig. 4

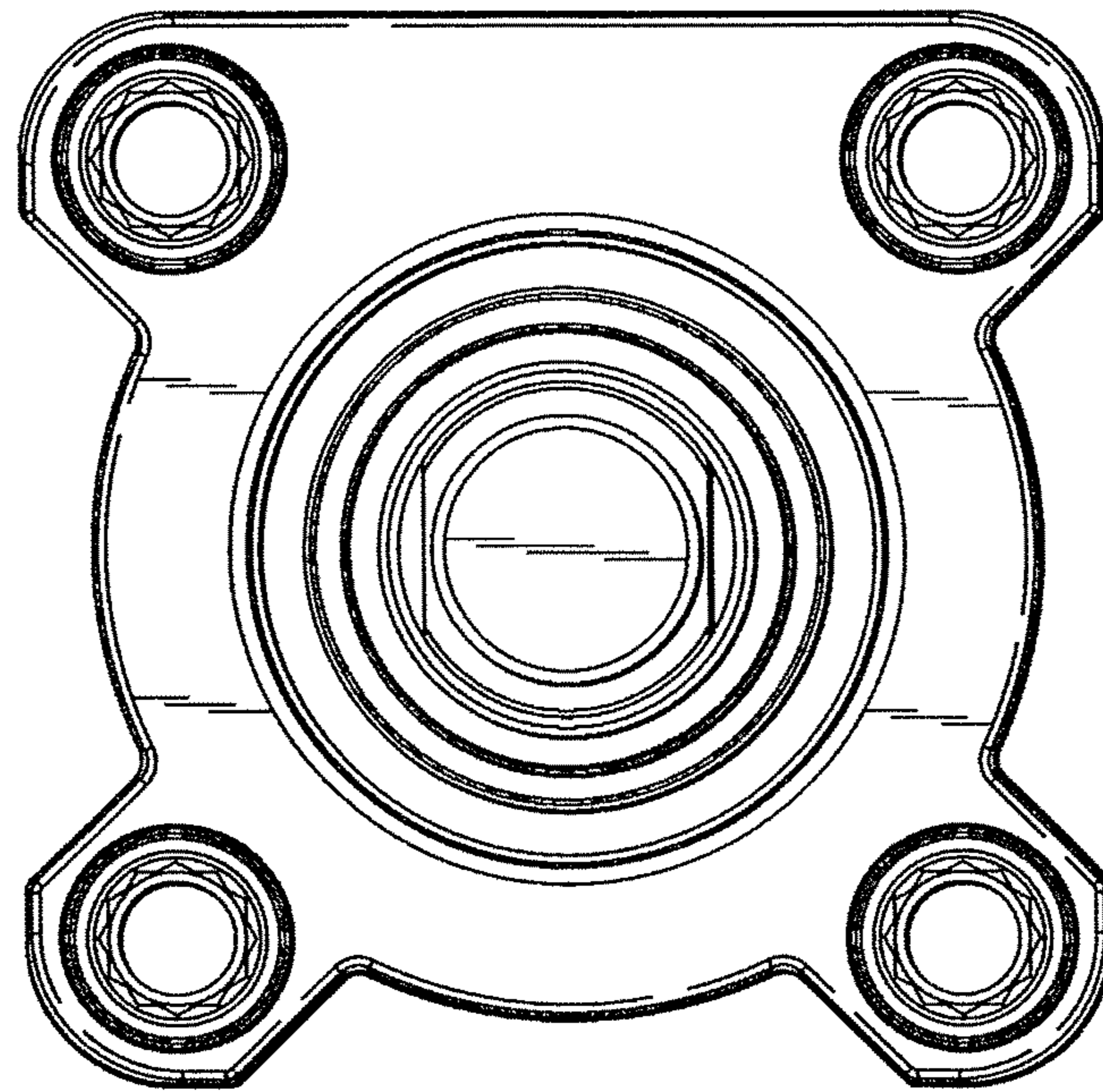


Fig. 5

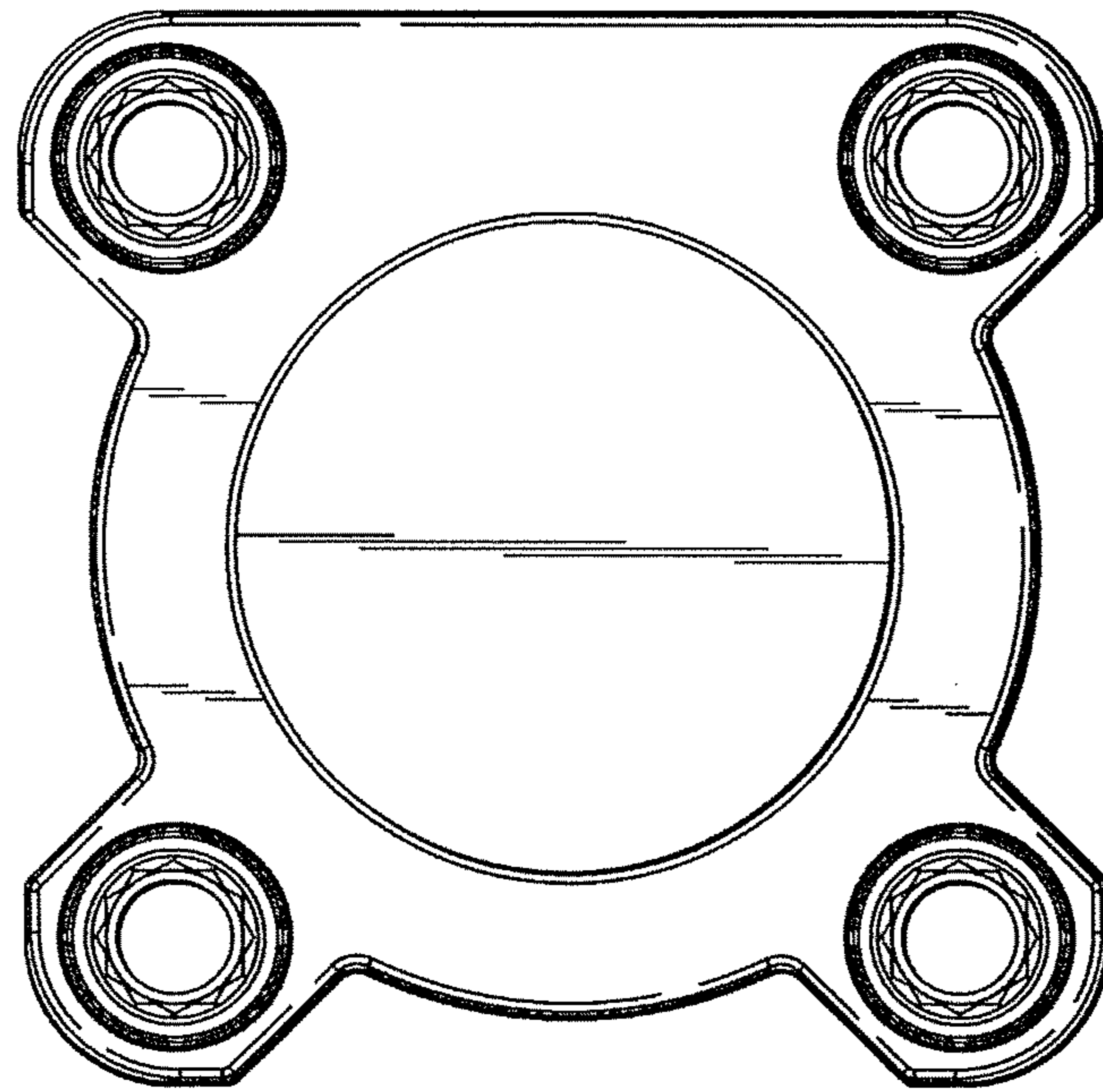


Fig. 6

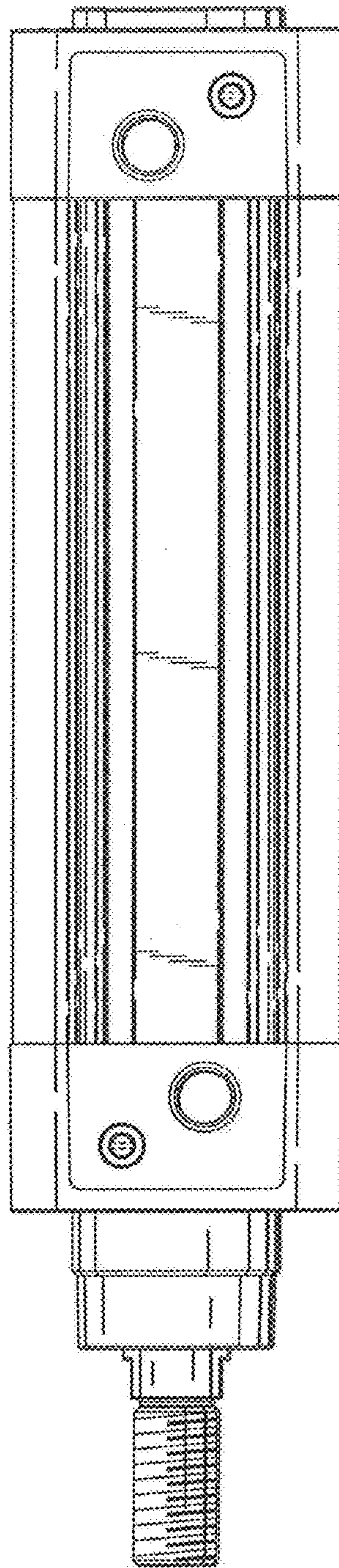


Fig. 7

