



US00D699752S

(12) **United States Design Patent**
Edwards et al.

(10) **Patent No.:** **US D699,752 S**
(45) **Date of Patent:** **** Feb. 18, 2014**

(54) **DISPLAY SCREEN WITH ANIMATED GRAPHICAL USER INTERFACE**

(75) Inventors: **Christopher D. Edwards**, Seattle, WA (US); **Mark E. Pearson**, Renton, WA (US); **Jonathan Esterly**, Kirkland, WA (US); **Jonathan S. Kaufthal**, Seattle, WA (US); **Kyle Matthew von Haden**, Mill Creek, WA (US); **Ryan Heaney**, Seattle, WA (US)

(73) Assignee: **Microsoft Corporation**, Redmond, WA (US)

(**) Term: **14 Years**

(21) Appl. No.: **29/413,206**

(22) Filed: **Feb. 13, 2012**

(51) **LOC (10) Cl.** **14-04**

(52) **U.S. Cl.**
USPC **D14/488**

(58) **Field of Classification Search**
USPC D14/485-488; 715/825, 838
See application file for complete search history.

(56) **References Cited**

U.S. PATENT DOCUMENTS

5,742,286	A *	4/1998	Kung et al.	715/839
6,160,553	A *	12/2000	Robertson et al.	715/767
6,166,735	A *	12/2000	Dom et al.	715/749
6,621,509	B1 *	9/2003	Eiref et al.	715/836
D529,040	S *	9/2006	Stabb	D14/488
D544,492	S *	6/2007	Rimas-Ribikauskas et al.	D14/485
D593,578	S *	6/2009	Ball et al.	D14/488
D594,023	S *	6/2009	King	D14/488
D594,025	S *	6/2009	Ball et al.	D14/488
D599,812	S *	9/2009	Hirsch	D14/488

D637,604	S *	5/2011	Brinda	D14/488
D663,315	S *	7/2012	Cielak et al.	D14/488
D663,741	S *	7/2012	Cielak et al.	D14/488
D669,911	S *	10/2012	Arnold et al.	D14/487
D687,840	S *	8/2013	Arnold et al.	D14/485
D688,690	S *	8/2013	Garn et al.	D14/488
D689,891	S *	9/2013	Rodenhouse et al.	D14/486
2004/0070631	A1 *	4/2004	Brown et al.	345/838
2008/0282195	A1 *	11/2008	Nakagawa et al.	715/838
2009/0007019	A1 *	1/2009	Kobayashi et al.	715/838
2009/0204920	A1 *	8/2009	Beverley et al.	715/768
2012/0036466	A1 *	2/2012	Venon et al.	715/772

* cited by examiner

Primary Examiner — Karen E Kearney

(74) *Attorney, Agent, or Firm* — Banner & Witcoff, Ltd.

(57) **CLAIM**

The ornamental design for a display screen with animated graphical user interface, as shown and described.

DESCRIPTION

FIG. 1 is a front view of the first image in a sequence for a display screen with animated graphical user interface showing our new design;

FIG. 2 is the second image thereof;

FIG. 3 is the third image thereof;

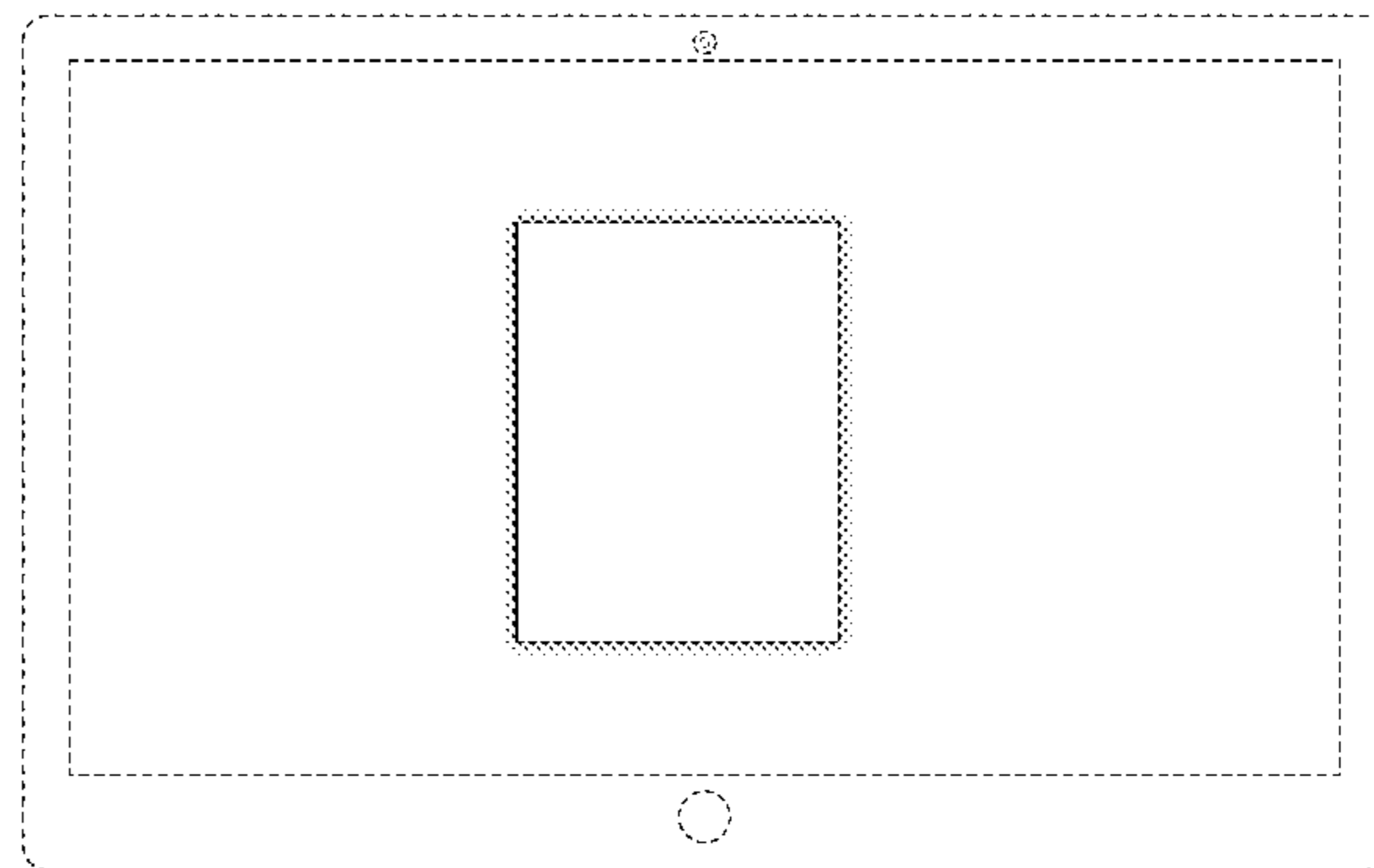
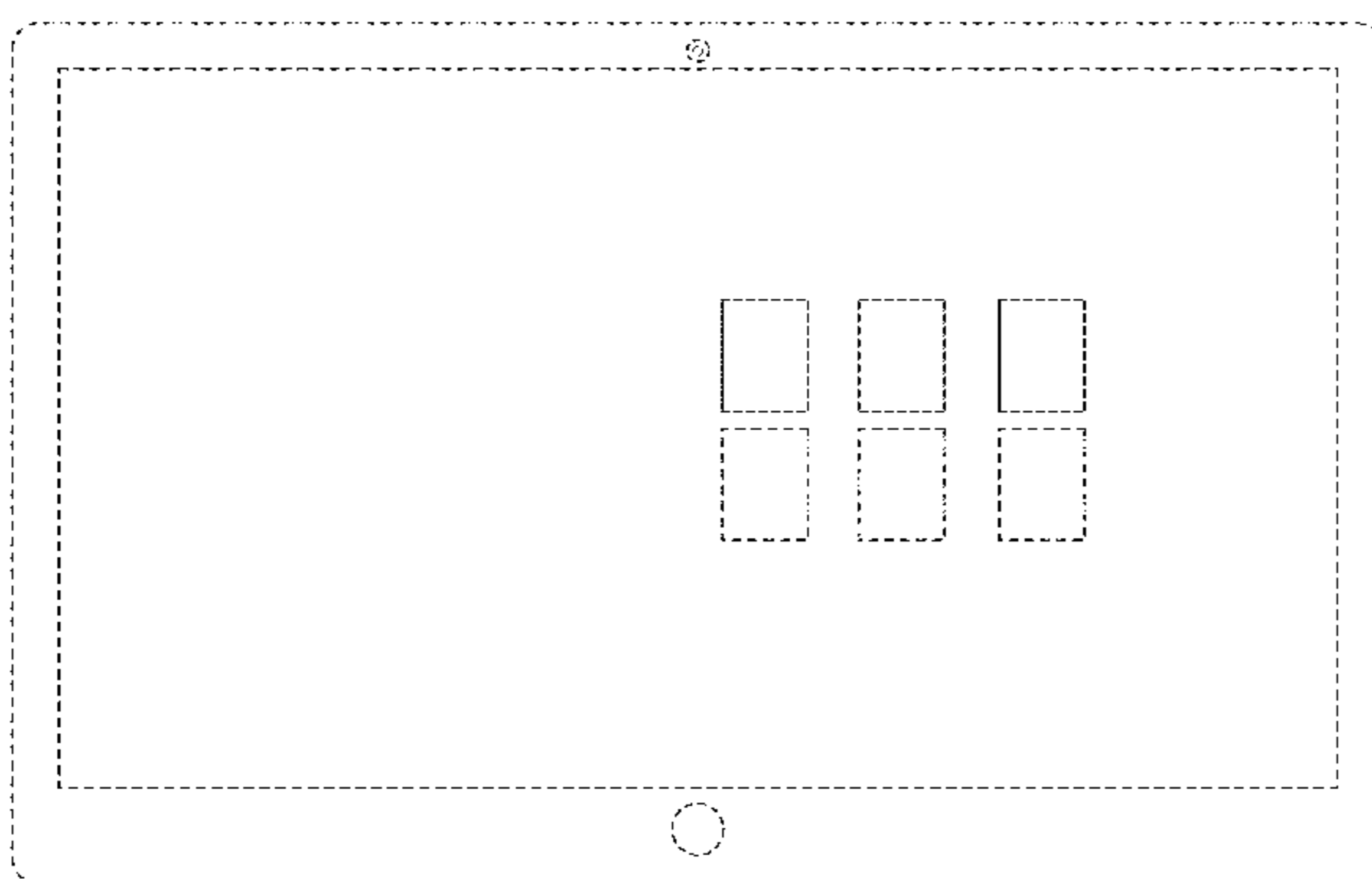
FIG. 4 is the fourth image thereof;

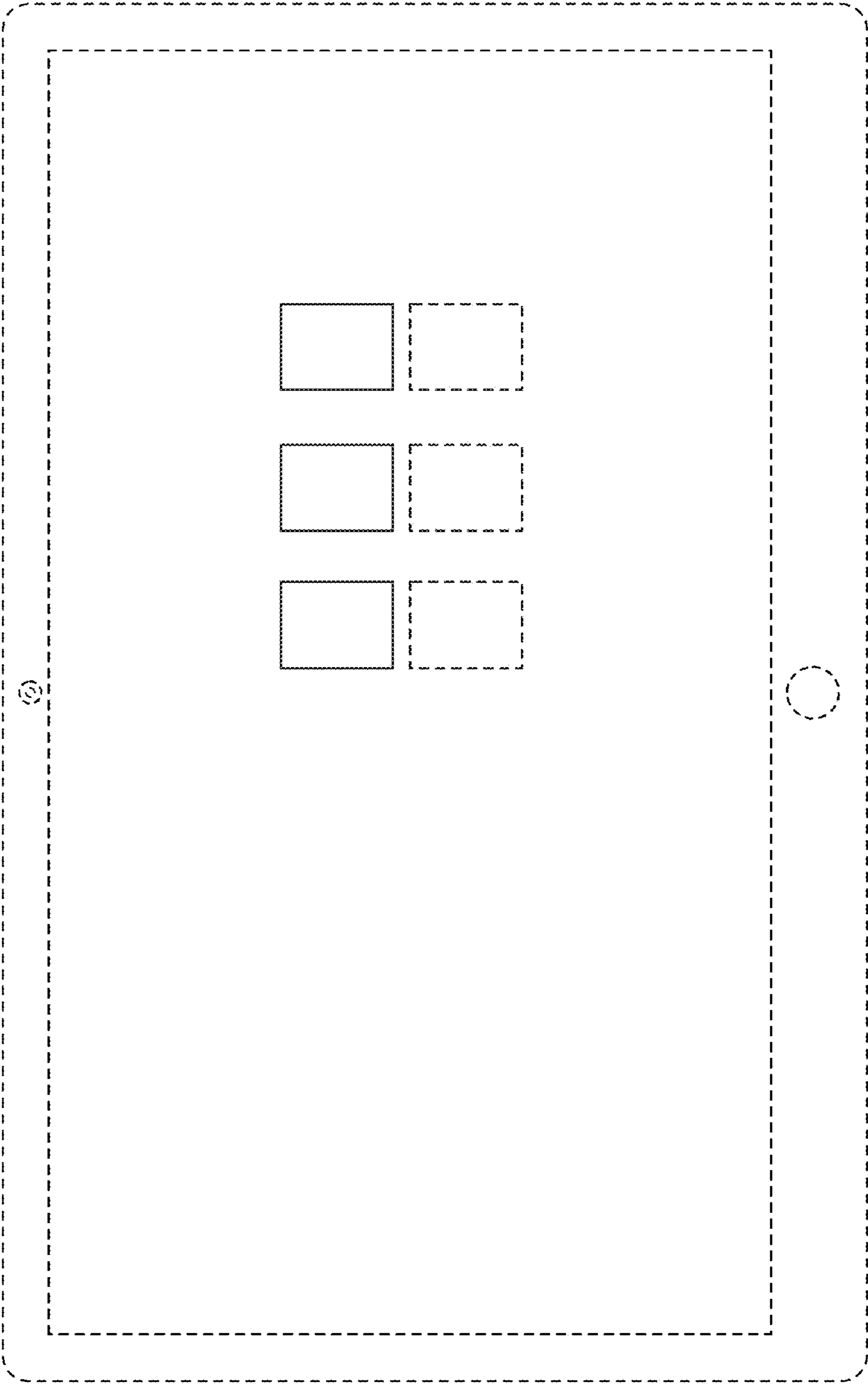
FIG. 5 is the fifth image thereof; and,

FIG. 6 is the sixth image thereof.

The appearance of the animated user interface sequentially transitions between the images shown in FIGS. 1-6. The process or period in which one image transitions to another forms no part of the claimed design. The broken line showing of the rectangles in FIGS. 1-3 and the remainder of the user interface and the display screen in the figures is for environmental purposes only and forms no part of the claimed design.

1 Claim, 6 Drawing Sheets

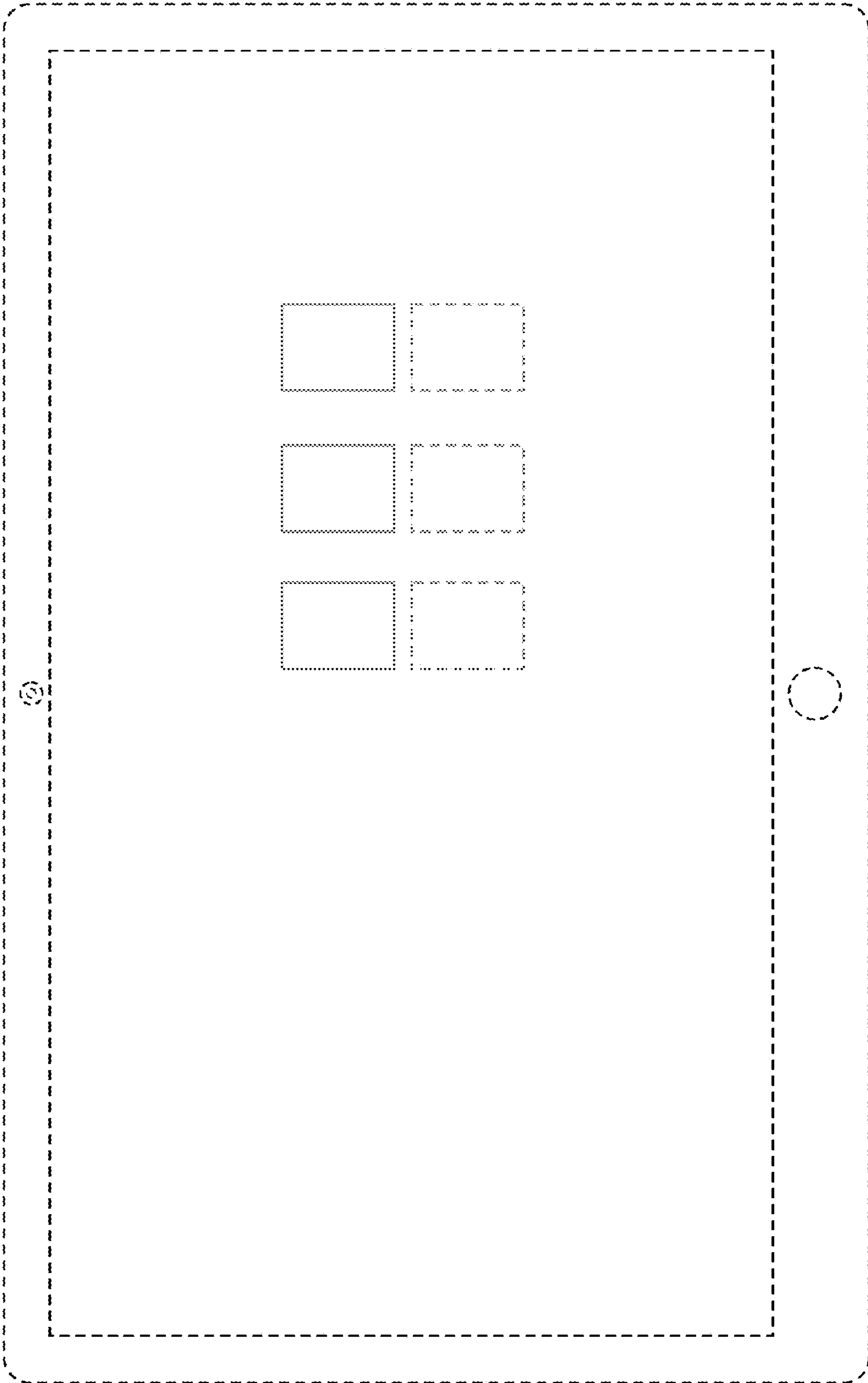




2



FIG. 1



5



FIG. 2

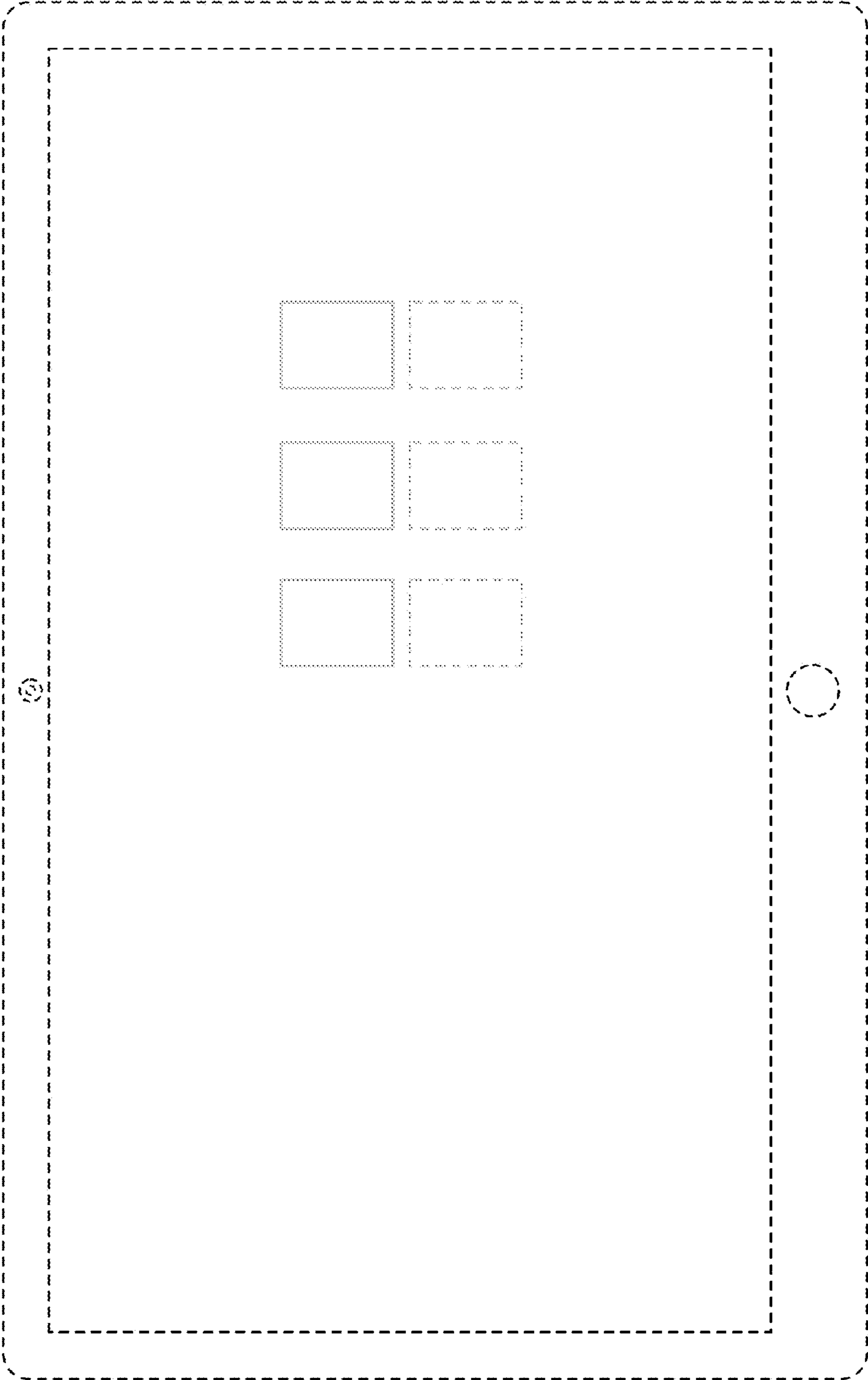


FIG. 3

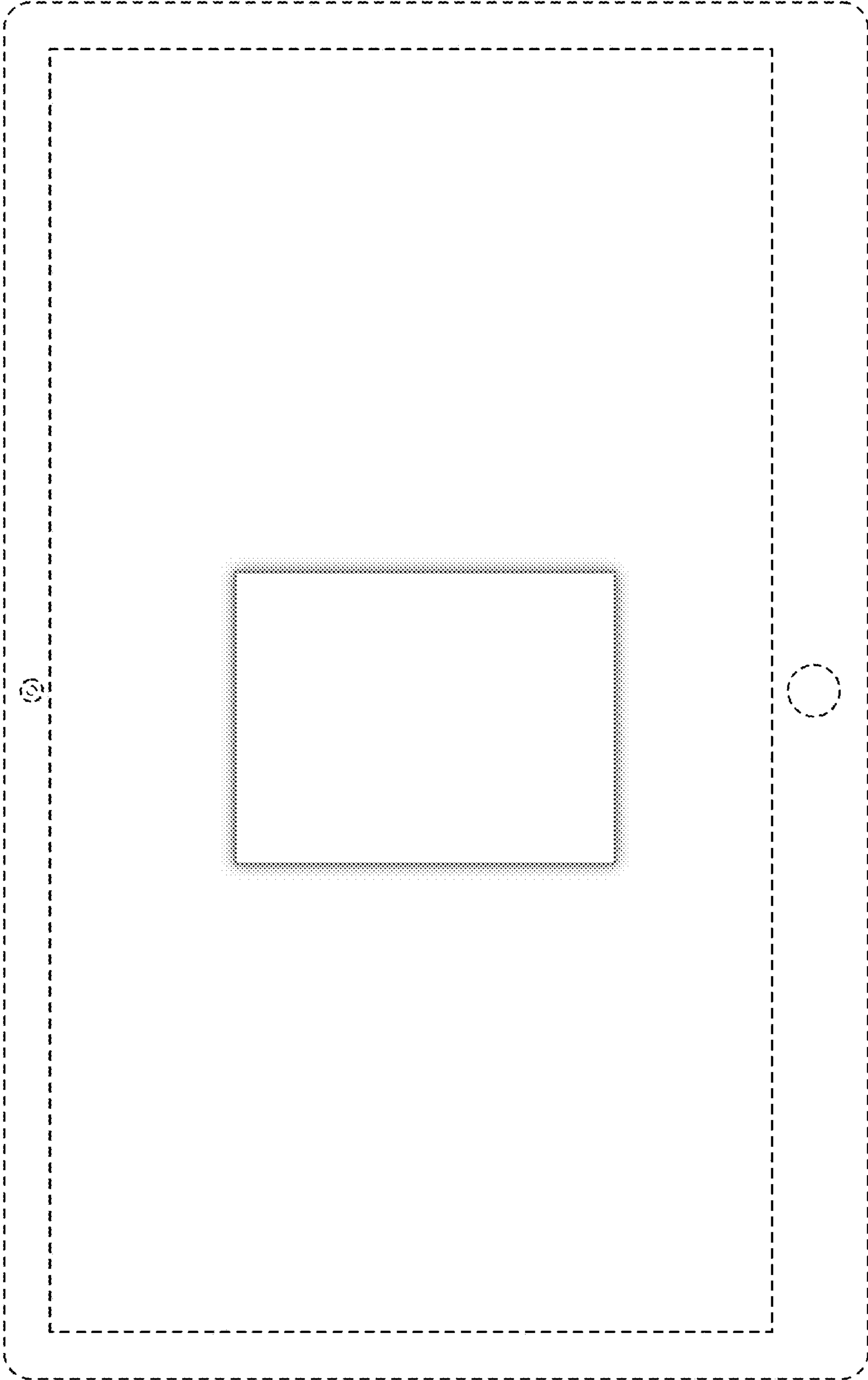


FIG. 4

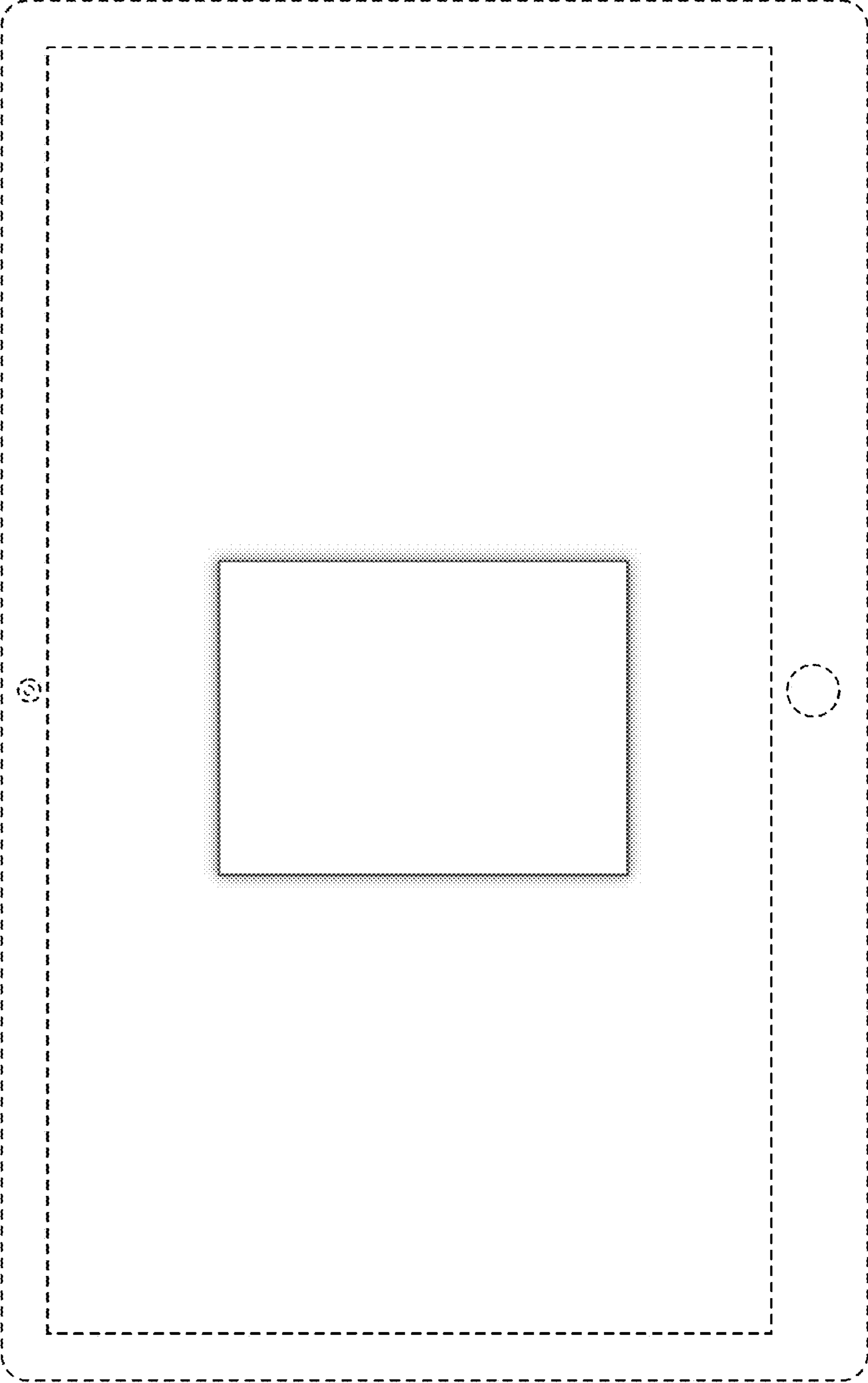


FIG. 5

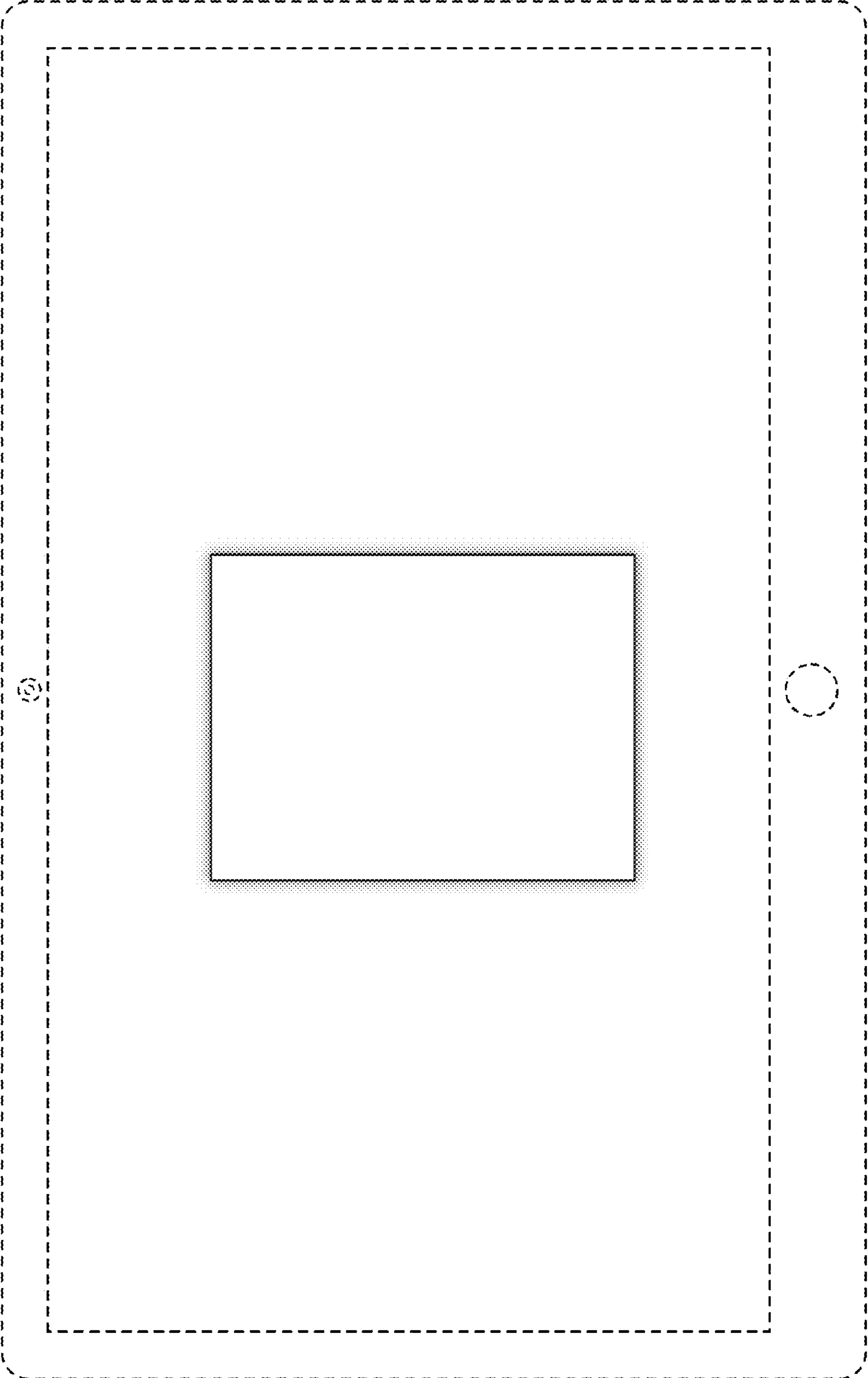


FIG. 6