

US00D699750S

(12) **United States Design Patent**
Pearson et al.

(10) **Patent No.:** **US D699,750 S**
(45) **Date of Patent:** **** Feb. 18, 2014**

- (54) **DISPLAY SCREEN WITH ANIMATED GRAPHICAL USER INTERFACE**
- (75) Inventors: **Mark E. Pearson**, Renton, WA (US);
Erez Kikin Gil, Redmond, WA (US);
Matthew J. Kotler, Sammamish, WA (US)
- (73) Assignee: **Microsoft Corporation**, Redmond, WA (US)
- (**) Term: **14 Years**
- (21) Appl. No.: **29/412,955**
- (22) Filed: **Feb. 9, 2012**
- (51) **LOC (10) Cl.** **14-04**
- (52) **U.S. Cl.**
USPC **D14/488**
- (58) **Field of Classification Search**
USPC D14/485-95; D18/24-33; D19/6, 52;
D20/11; D21/324-33; 715/700-867,
715/973-77
See application file for complete search history.

D545,324 S	6/2007	Decombe	
7,281,214 B2	10/2007	Fadell	
D554,660 S	11/2007	Hoover et al.	
D554,661 S	11/2007	Hoover et al.	
D563,972 S	3/2008	Sherry	
D568,898 S	5/2008	Byeon	
D580,949 S	11/2008	Duarte	
D589,521 S	3/2009	Napier et al.	
D591,305 S *	4/2009	Shimoda	D14/485
7,516,416 B2	4/2009	Viswanathan et al.	
D592,674 S	5/2009	Kwag	
D604,310 S	11/2009	Ahn	
D606,081 S	12/2009	Parker et al.	
D607,007 S *	12/2009	Kocmick	D14/489
D614,192 S *	4/2010	Takano et al.	D14/486
D619,593 S *	7/2010	Fujioka et al.	D14/485
D619,614 S *	7/2010	O'Mullan et al.	D14/489
D622,281 S *	8/2010	Maitlen et al.	D14/485

(Continued)

Primary Examiner — Melanie H Tung

(74) *Attorney, Agent, or Firm* — Banner & Witcoff, Ltd.

(57) **CLAIM**

The ornamental design for a display screen with animated graphical user interface, as shown and described.

DESCRIPTION

FIG. 1 is the first image in a sequence for a display screen with animated graphical user interface showing our new design; FIG. 2 is the second image thereof; FIG. 3 is the third image thereof; FIG. 4 is the fourth image thereof; and, FIG. 5 is the fifth image thereof.

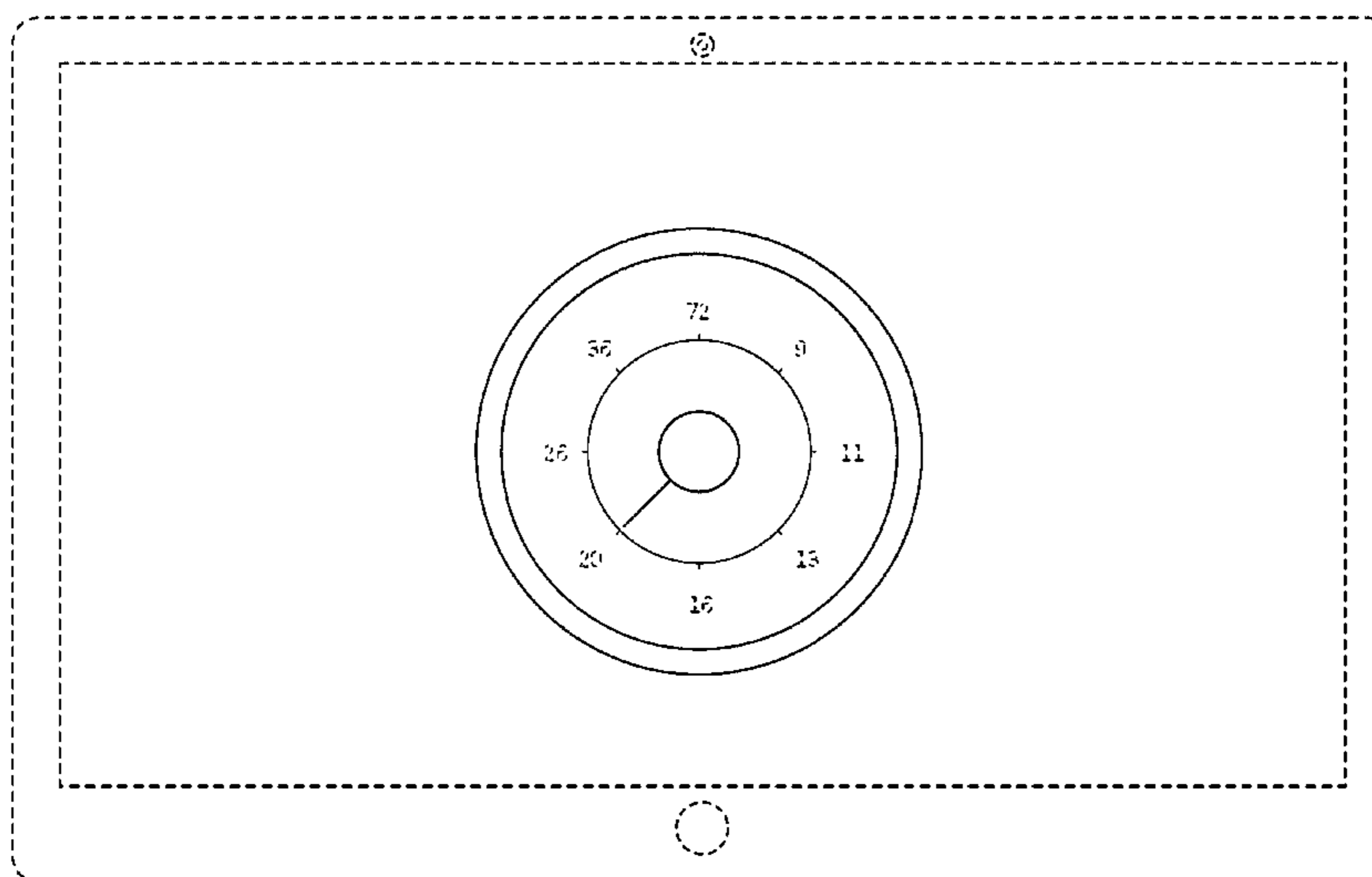
The appearance of the animated graphical user interface sequentially transitions between the images shown in FIGS. 1-5. The process or period in which one image transitions to another forms no part of the claimed design. The broken line showing of the numbers and the display screen in all views is for environmental purposes only and forms no part of the claimed design.

1 Claim, 5 Drawing Sheets

(56) **References Cited**

U.S. PATENT DOCUMENTS

4,747,093 A *	5/1988	Benne et al.	369/280
5,526,341 A *	6/1996	Shiba et al.	369/275.1
5,675,570 A *	10/1997	Ohira et al.	369/275.1
D396,455 S *	7/1998	Bier	D14/489
D464,360 S *	10/2002	Grundel et al.	D14/485
6,549,219 B2 *	4/2003	Selker	715/834
D474,197 S *	5/2003	Nguyen	D14/486
D492,695 S *	7/2004	Suzuki et al.	D14/489
D493,177 S *	7/2004	Retuta et al.	D14/486
D493,471 S *	7/2004	McIntosh	D14/485
D504,441 S *	4/2005	Sapp et al.	D14/486
D505,135 S *	5/2005	Sapp et al.	D14/489
7,046,248 B1	5/2006	Perttunen	
D544,495 S *	6/2007	Evans et al.	D14/488
D545,323 S	6/2007	Decombe	



(56)

References Cited

U.S. PATENT DOCUMENTS

D625,319 S 10/2010 Allen et al.
D625,328 S * 10/2010 Fitzmaurice et al. D14/489
D627,360 S * 11/2010 Aarseth D14/485
D635,987 S 4/2011 Mays et al.
D635,988 S 4/2011 Mays et al.
D637,197 S 5/2011 Ray et al.
D644,243 S * 8/2011 Matas D14/489
D645,470 S * 9/2011 Matas D14/489
D651,611 S * 1/2012 Ouilhet et al. D14/489

D651,613 S * 1/2012 Ouilhet D14/491
D664,562 S * 7/2012 McCain et al. D14/489
D667,428 S * 9/2012 Wujcik et al. D14/489
D667,429 S * 9/2012 Wujcik et al. D14/489
D678,902 S * 3/2013 Evans D14/492
D681,669 S * 5/2013 Phelan D14/489
D685,391 S * 7/2013 Blissenbach et al. D14/492
2004/0141010 A1 * 7/2004 Fitzmaurice et al. 345/810
2005/0010955 A1 * 1/2005 Elia et al. 725/88
2008/0126992 A1 * 5/2008 Scheu et al. 715/835
2010/0088594 A1 * 4/2010 Kim et al. 715/274

* cited by examiner

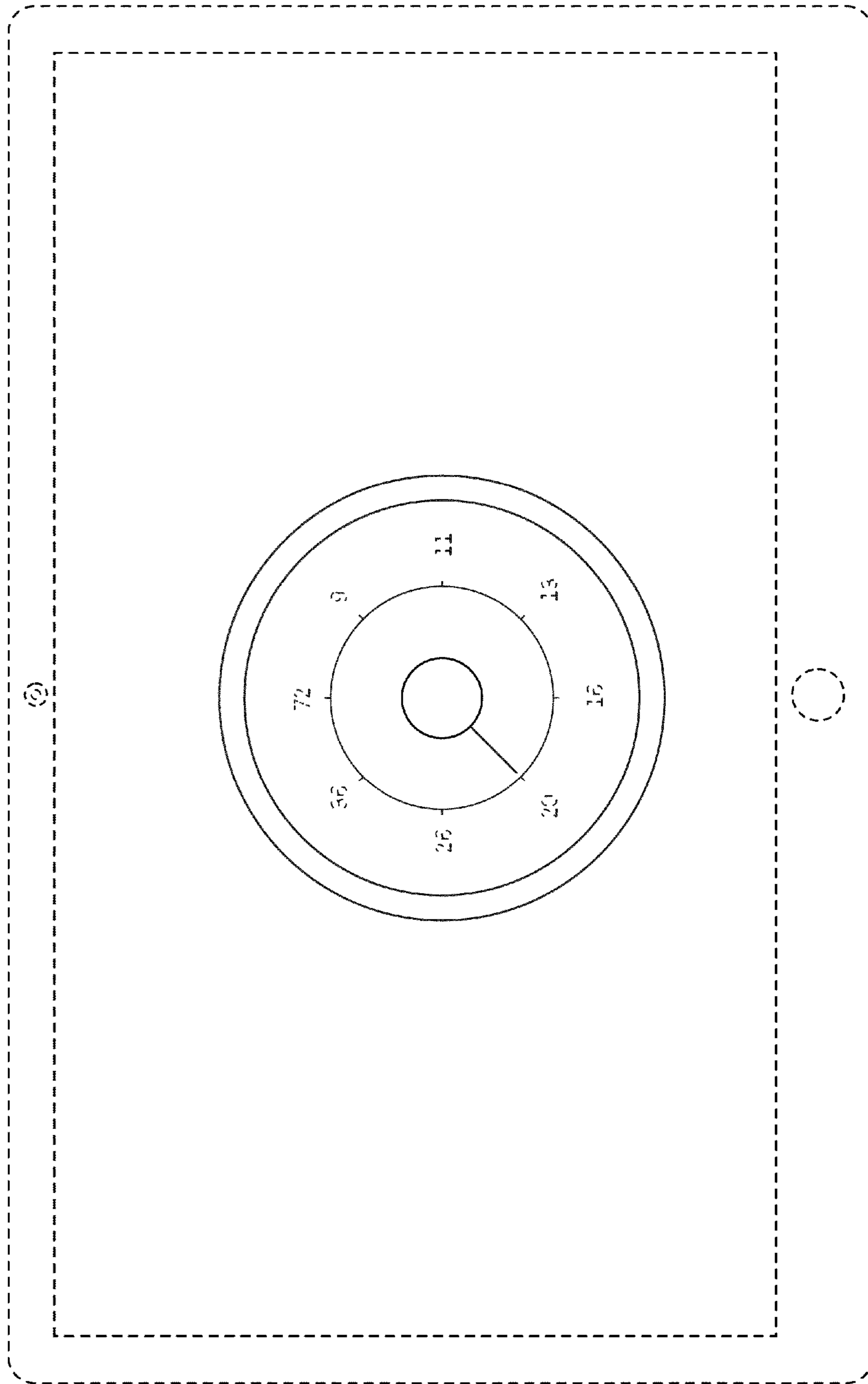


FIG. 1

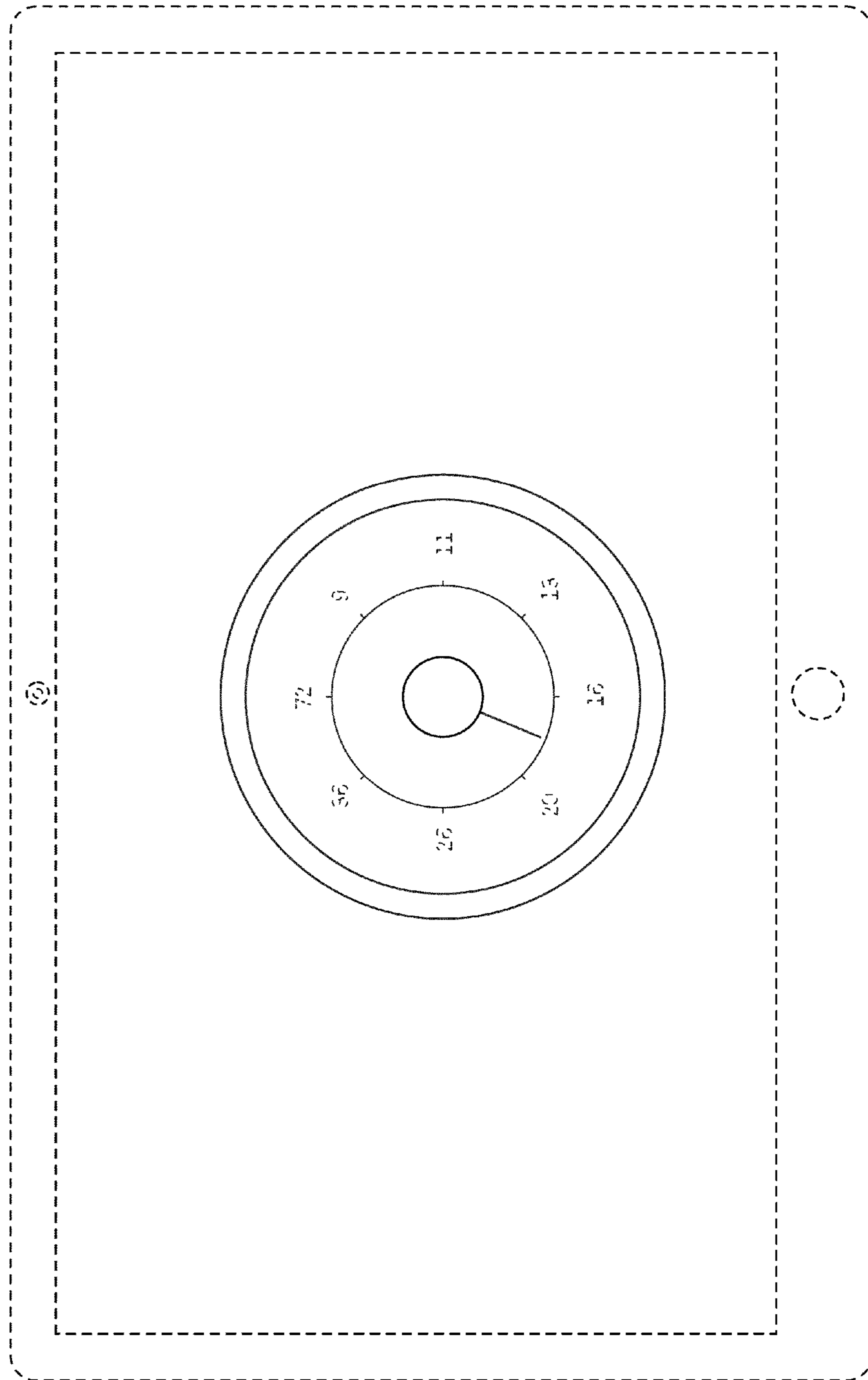
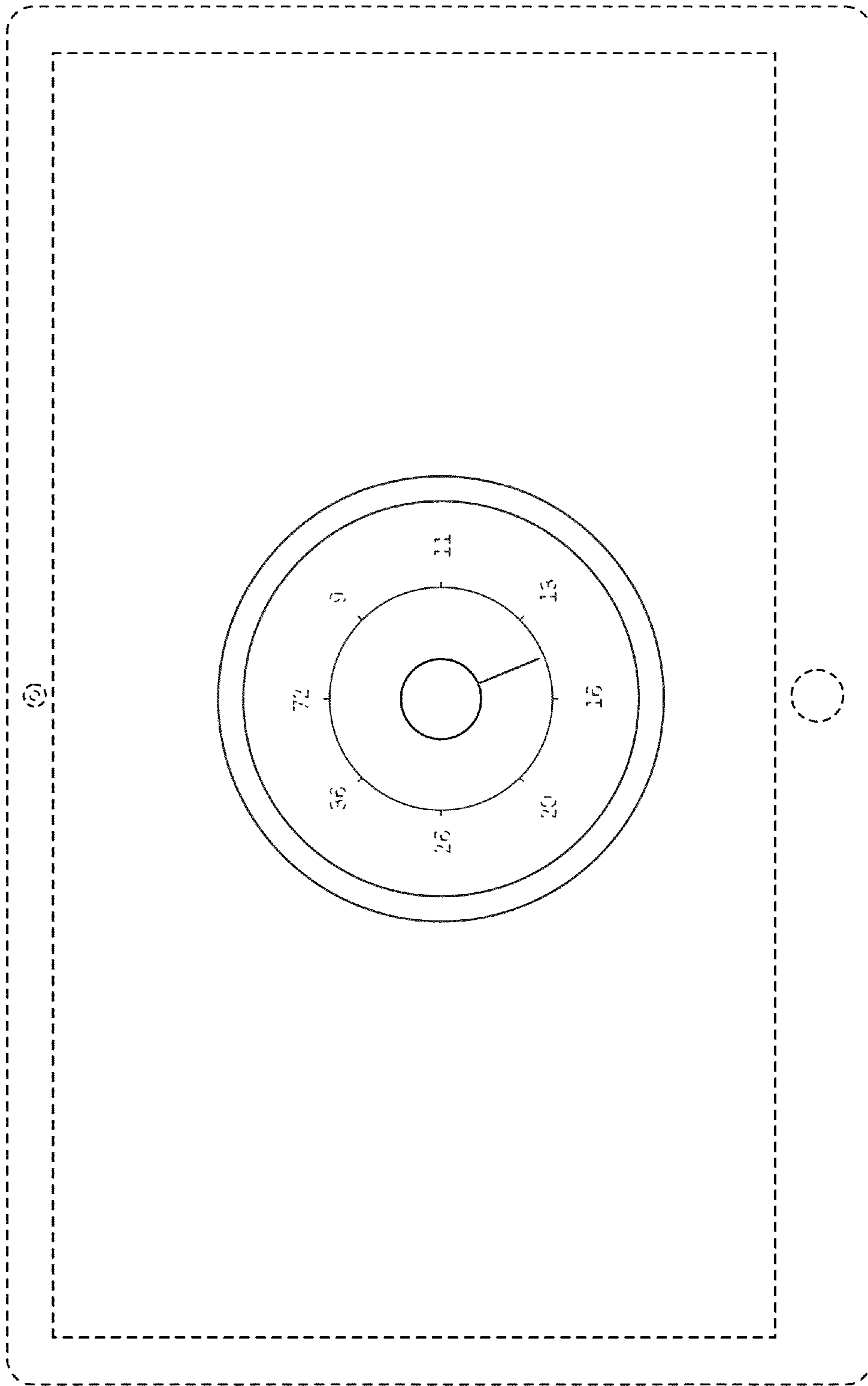


FIG. 2



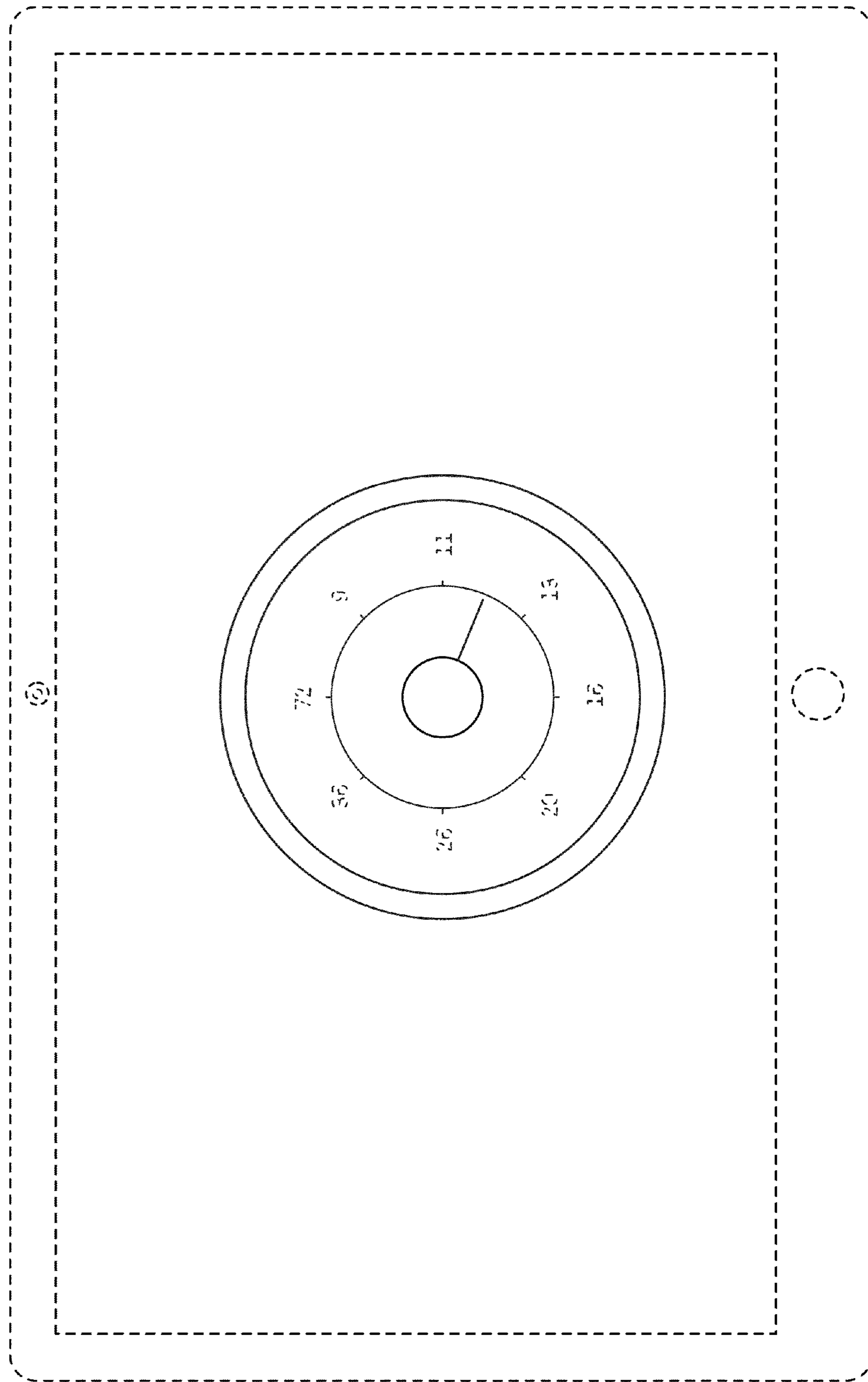


FIG. 4

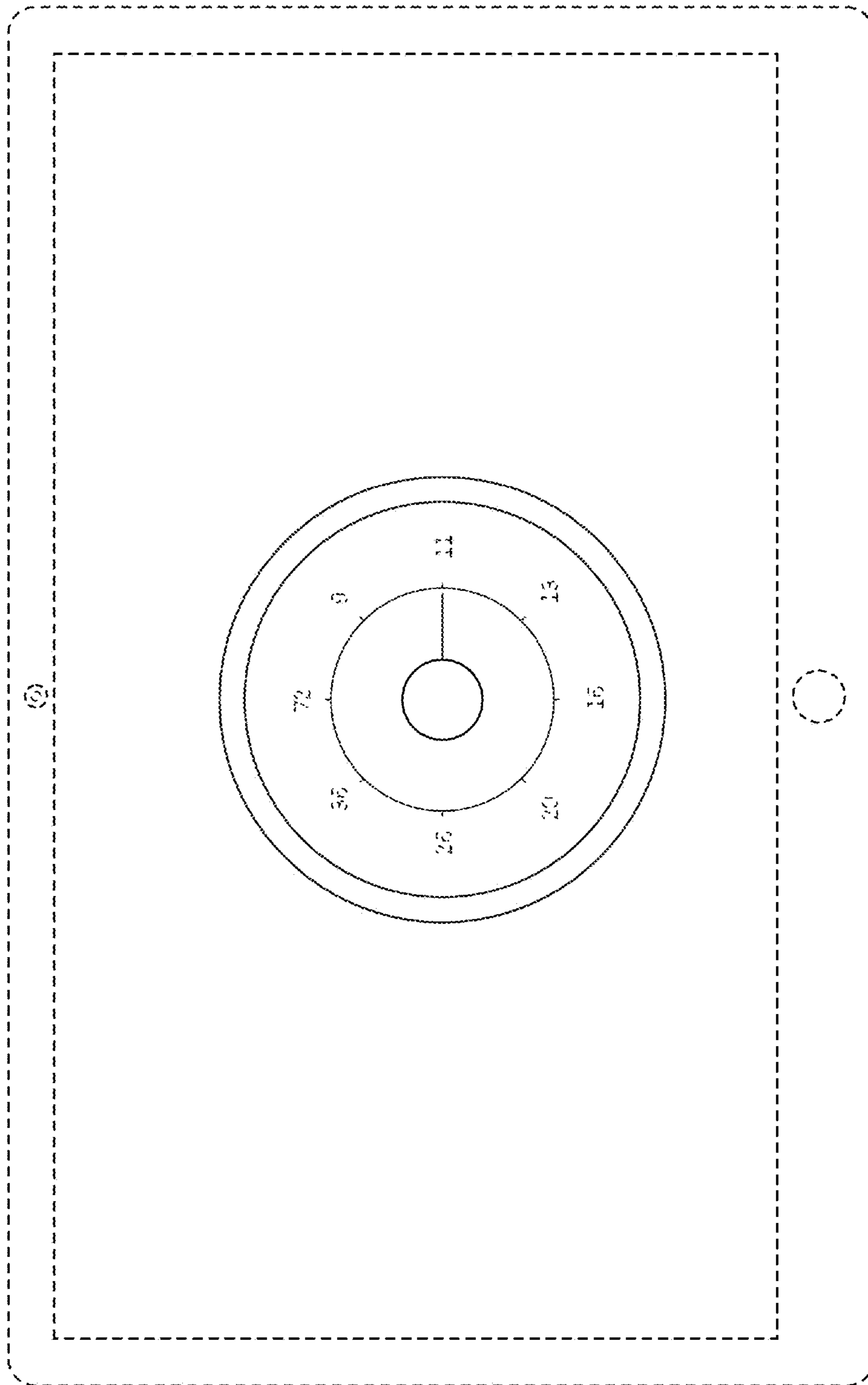


FIG. 5