

US00D699749S

(12) **United States Design Patent**
Pearson et al.

(10) **Patent No.:** **US D699,749 S**

(45) **Date of Patent:** **** Feb. 18, 2014**

(54) **DISPLAY SCREEN WITH ANIMATED GRAPHICAL USER INTERFACE**

(75) Inventors: **Mark E. Pearson**, Renton, WA (US);
Erez Kikin Gil, Redmond, WA (US);
Matthew J. Kotler, Sammamish, WA (US);
Andrew T. Hockman, Seattle, WA (US)

(73) Assignee: **Microsoft Corporation**, Redmond, WA (US)

(**) Term: **14 Years**

(21) Appl. No.: **29/412,954**

(22) Filed: **Feb. 9, 2012**

(51) **LOC (10) Cl.** **14-04**

(52) **U.S. Cl.**
USPC **D14/488**

(58) **Field of Classification Search**
USPC D14/485-95; D18/24-33; D19/6, 52;
D20/11; D21/324-33; 715/700-867,
715/973-77

See application file for complete search history.

(56) **References Cited**

U.S. PATENT DOCUMENTS

4,747,093	A *	5/1988	Benne et al.	369/280
5,526,341	A *	6/1996	Shiba et al.	369/275.1
5,675,570	A *	10/1997	Ohira et al.	369/275.1
D396,455	S *	7/1998	Bier	D14/489
D464,360	S *	10/2002	Grundel et al.	D14/485
6,549,219	B2 *	4/2003	Selker	715/834
D474,197	S *	5/2003	Nguyen	D14/486
D492,695	S *	7/2004	Suzuki et al.	D14/489
D493,177	S *	7/2004	Retuta et al.	D14/486
D493,471	S *	7/2004	McIntosh	D14/485
D504,441	S *	4/2005	Sapp et al.	D14/486
D505,135	S *	5/2005	Sapp et al.	D14/489
7,046,248	B1	5/2006	Perttunen	
D544,495	S *	6/2007	Evans et al.	D14/488
D545,323	S	6/2007	Decombe	

D545,324	S	6/2007	Decombe
7,281,214	B2	10/2007	Fadell
D554,660	S	11/2007	Hoover et al.
D554,661	S	11/2007	Hoover et al.
D563,972	S	3/2008	Sherry
D568,898	S	5/2008	Byeon
D580,949	S	11/2008	Duarte
D589,521	S	3/2009	Napier et al.

(Continued)

Primary Examiner — Melanie H Tung

(74) *Attorney, Agent, or Firm* — Banner & Witcoff, Ltd.

(57) **CLAIM**

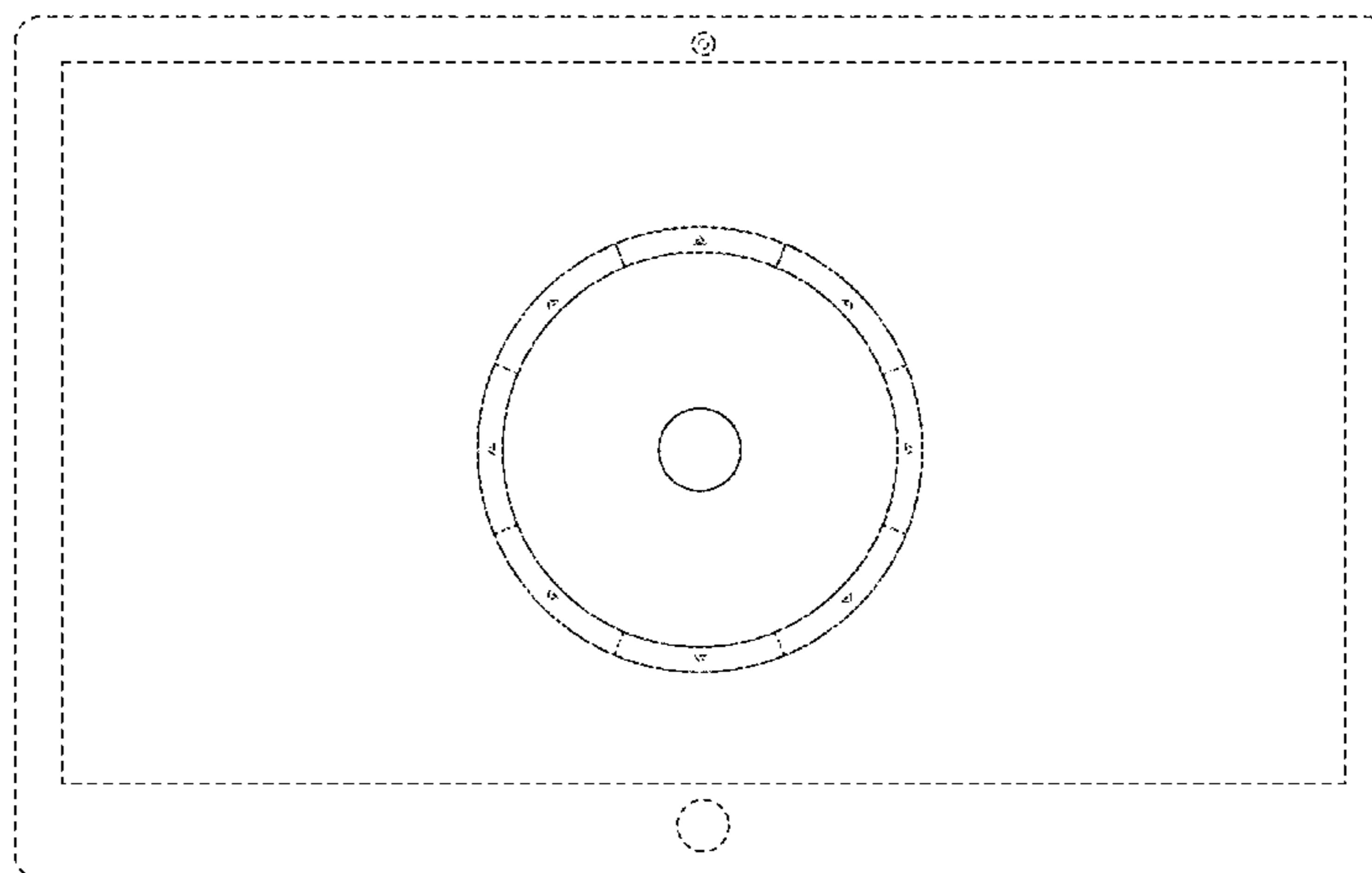
The ornamental design for a display screen with animated graphical user interface, as shown and described.

DESCRIPTION

FIG. 1 is the first image in a sequence for a display screen with animated graphical user interface showing our new design; FIG. 2 is the second image thereof; FIG. 3 is the third image thereof; FIG. 4 is the fourth image thereof; FIG. 5 is the fifth image thereof; FIG. 6 is the sixth image thereof; FIG. 7 is the seventh image thereof; FIG. 8 is the eighth image thereof; FIG. 9 is the ninth image thereof; FIG. 10 is the tenth image thereof; FIG. 11 is the eleventh image thereof; FIG. 12 is the twelfth image thereof; and, FIG. 13 is the thirteenth image thereof.

The appearance of the animated graphical user interface sequentially transitions between the images shown in FIGS. 1-13. The process or period in which one image transitions to another forms no part of the claimed design. The broken line showing of the graphical elements in FIGS. 1-6, the numbers in FIGS. 8-13 and the display screen in all views is for environmental purposes only and forms no part of the claimed design.

1 Claim, 13 Drawing Sheets



(56)

References Cited

U.S. PATENT DOCUMENTS

D591,305 S *	4/2009	Shimoda	D14/485	D635,988 S	4/2011	Mays et al.	
7,516,416 B2	4/2009	Viswanathan et al.		D637,197 S	5/2011	Ray et al.	
D592,674 S	5/2009	Kwag		D644,243 S *	8/2011	Matas	D14/489
D604,310 S	11/2009	Ahn		D645,470 S *	9/2011	Matas	D14/489
D606,081 S	12/2009	Parker et al.		D651,611 S *	1/2012	Ouilhet et al.	D14/489
D607,007 S *	12/2009	Kocmick	D14/489	D651,613 S *	1/2012	Ouilhet	D14/491
D614,192 S *	4/2010	Takano et al.	D14/486	D664,562 S *	7/2012	McCain et al.	D14/489
D619,593 S *	7/2010	Fujioka et al.	D14/485	D667,428 S *	9/2012	Wujcik et al.	D14/489
D619,614 S *	7/2010	O'Mullan et al.	D14/489	D667,429 S *	9/2012	Wujcik et al.	D14/489
D622,281 S *	8/2010	Maitlen et al.	D14/485	D678,902 S *	3/2013	Evans	D14/492
D625,319 S	10/2010	Allen et al.		D681,669 S *	5/2013	Phelan	D14/489
D625,328 S *	10/2010	Fitzmaurice et al.	D14/489	D685,391 S *	7/2013	Blissenbach et al.	D14/492
D627,360 S *	11/2010	Aarseth	D14/485	2004/0141010 A1 *	7/2004	Fitzmaurice et al.	345/810
D635,987 S	4/2011	Mays et al.		2005/0010955 A1 *	1/2005	Elia et al.	725/88
				2008/0126992 A1 *	5/2008	Scheu et al.	715/835
				2010/0088594 A1 *	4/2010	Kim et al.	715/274

* cited by examiner

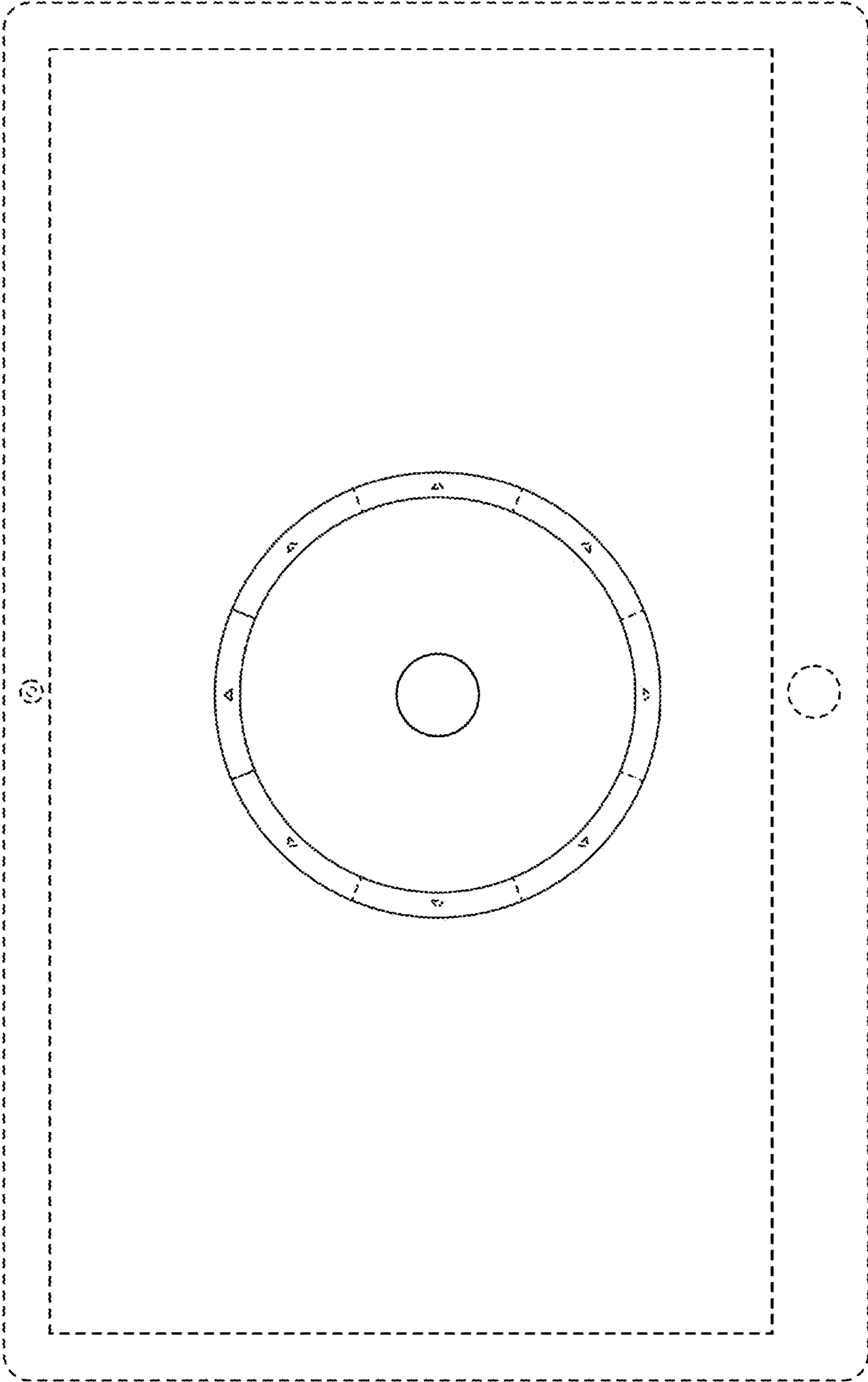


FIG. 1

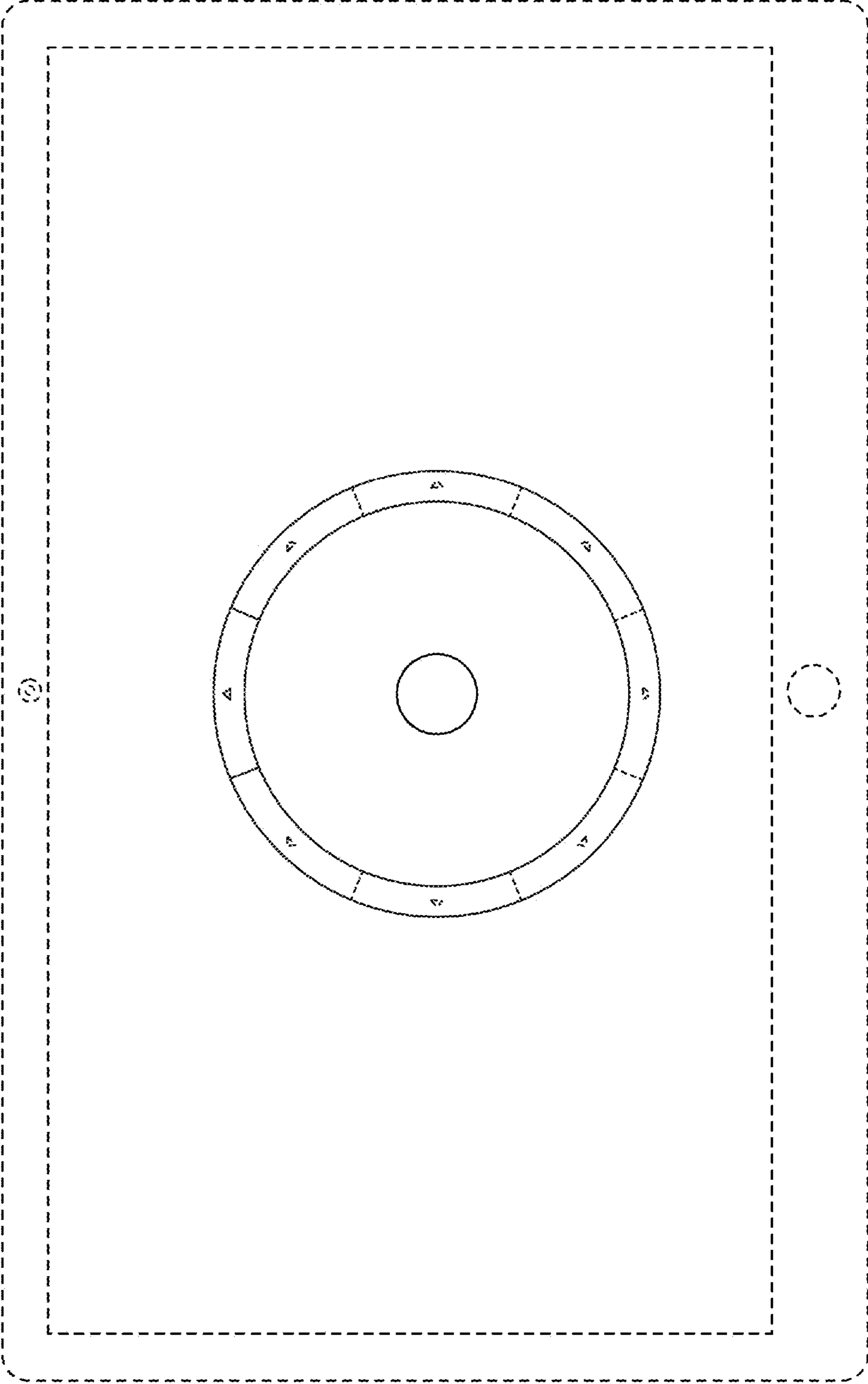


FIG. 2

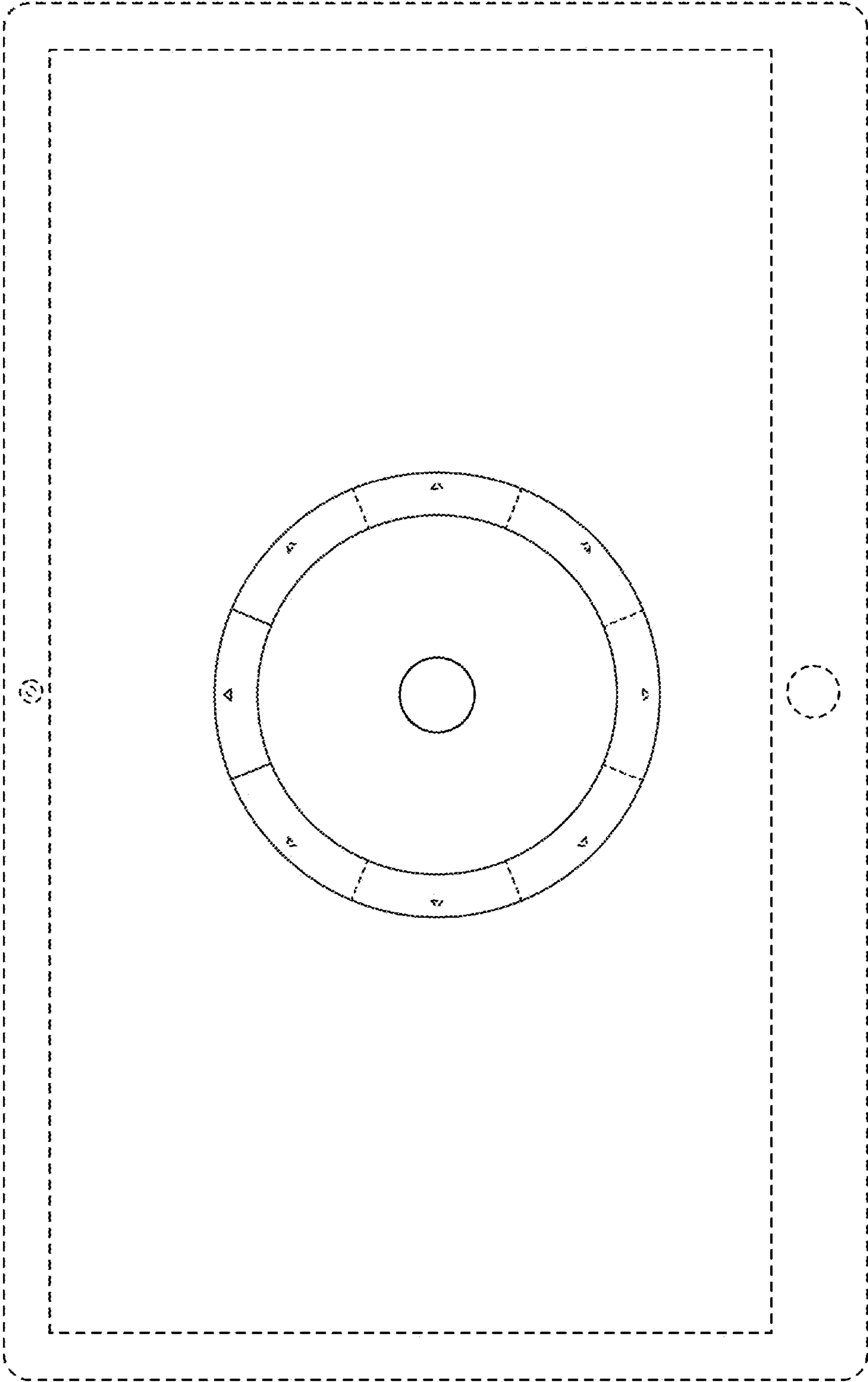


FIG. 3

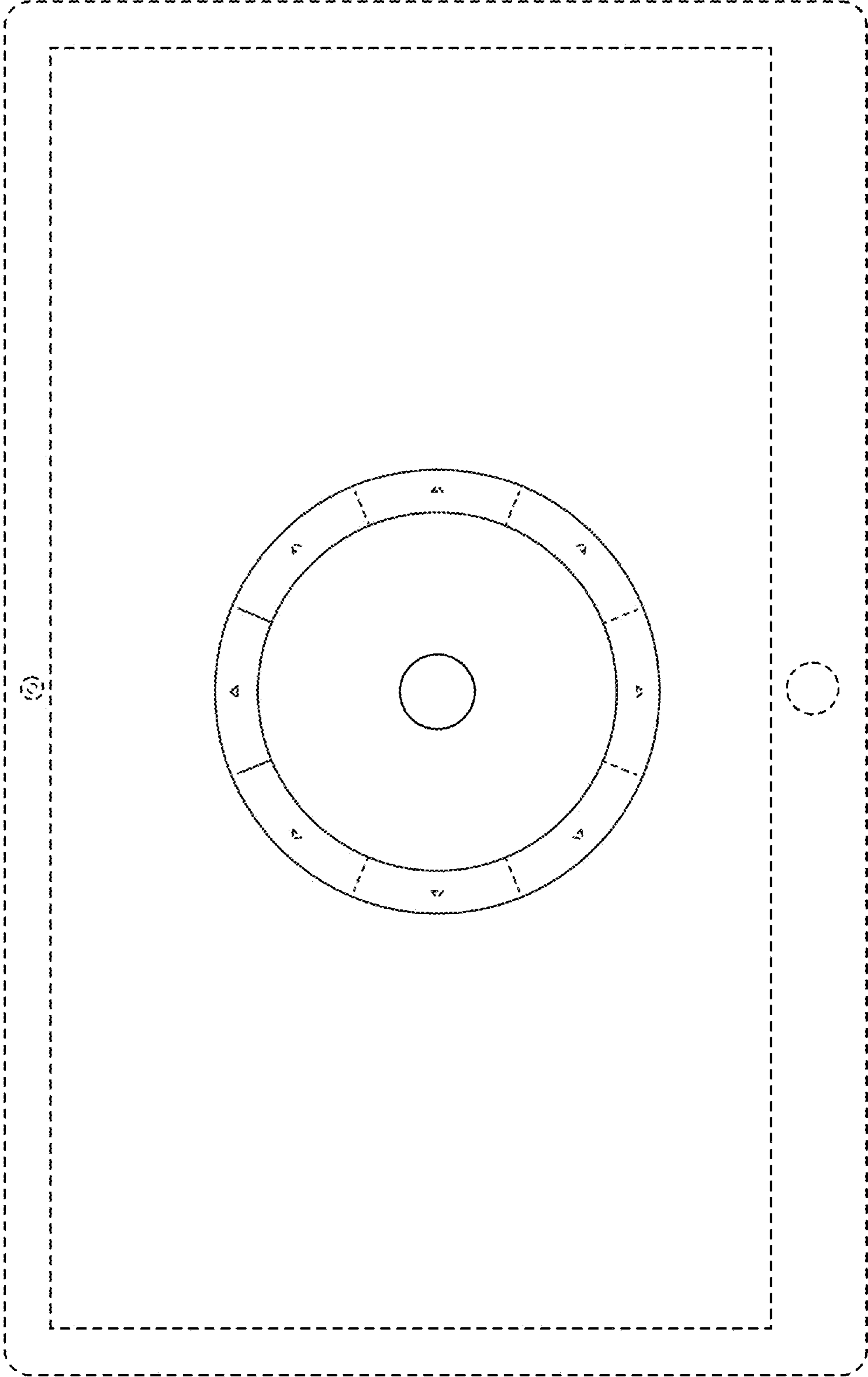


FIG. 4

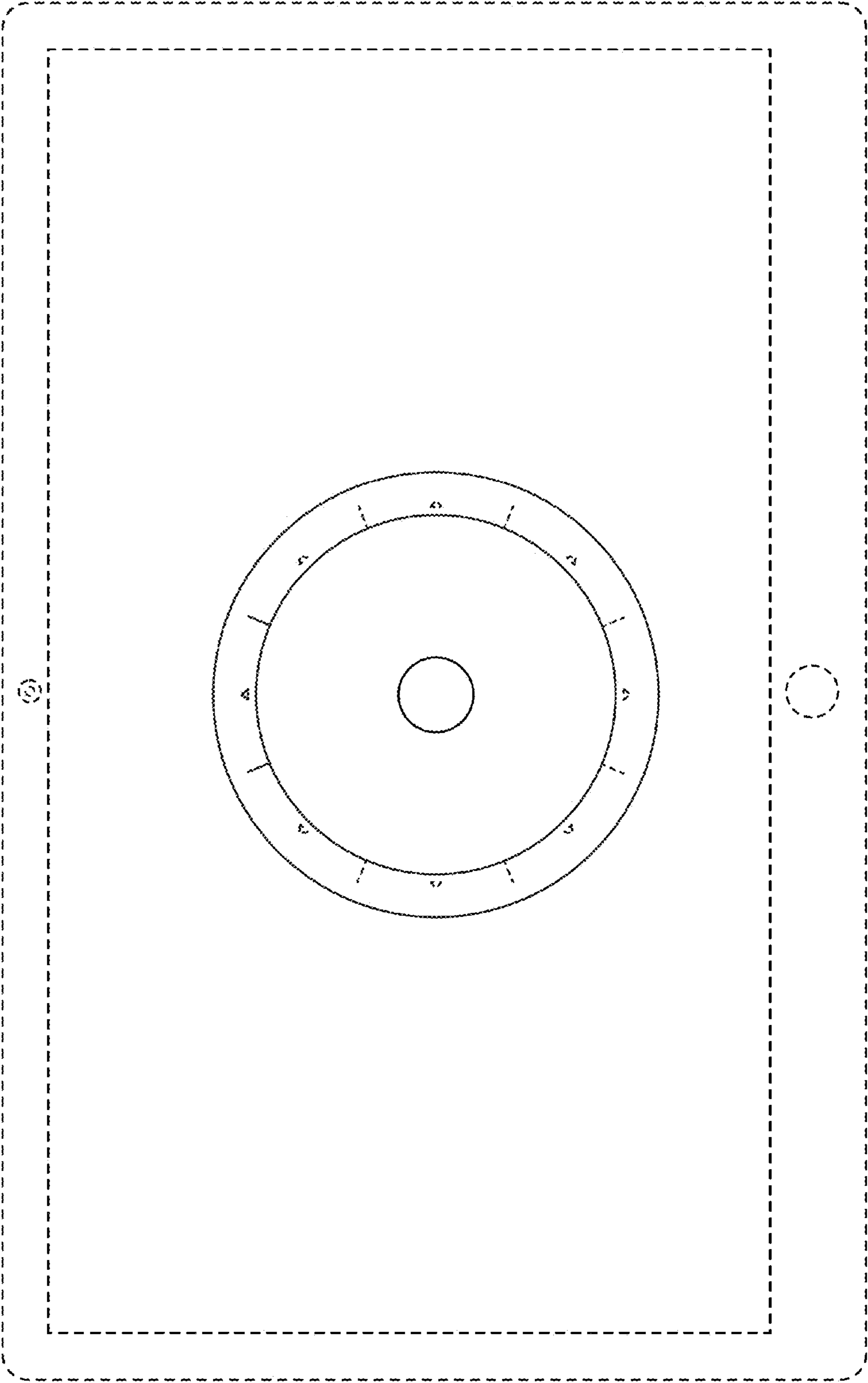


FIG. 5

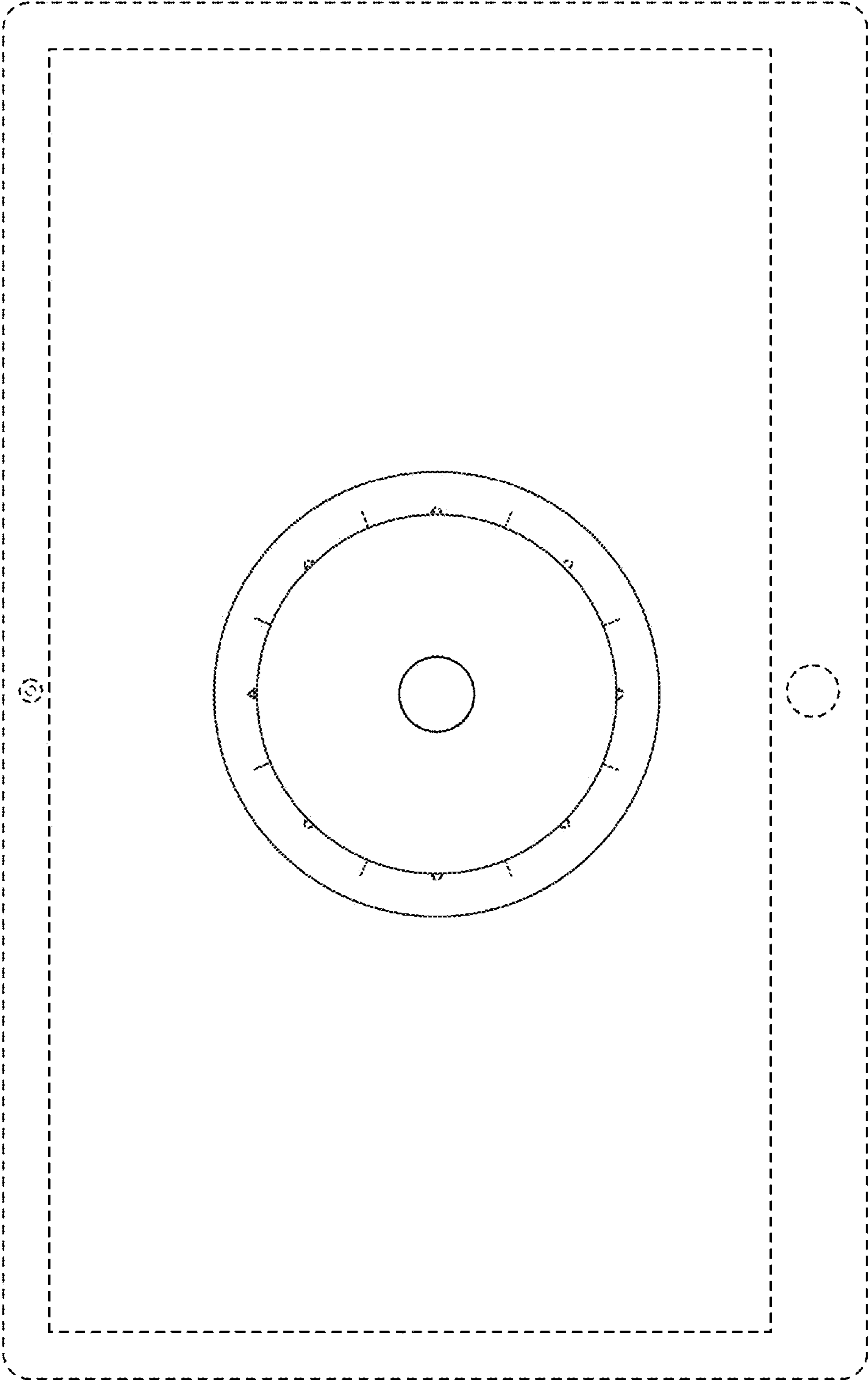


FIG. 6

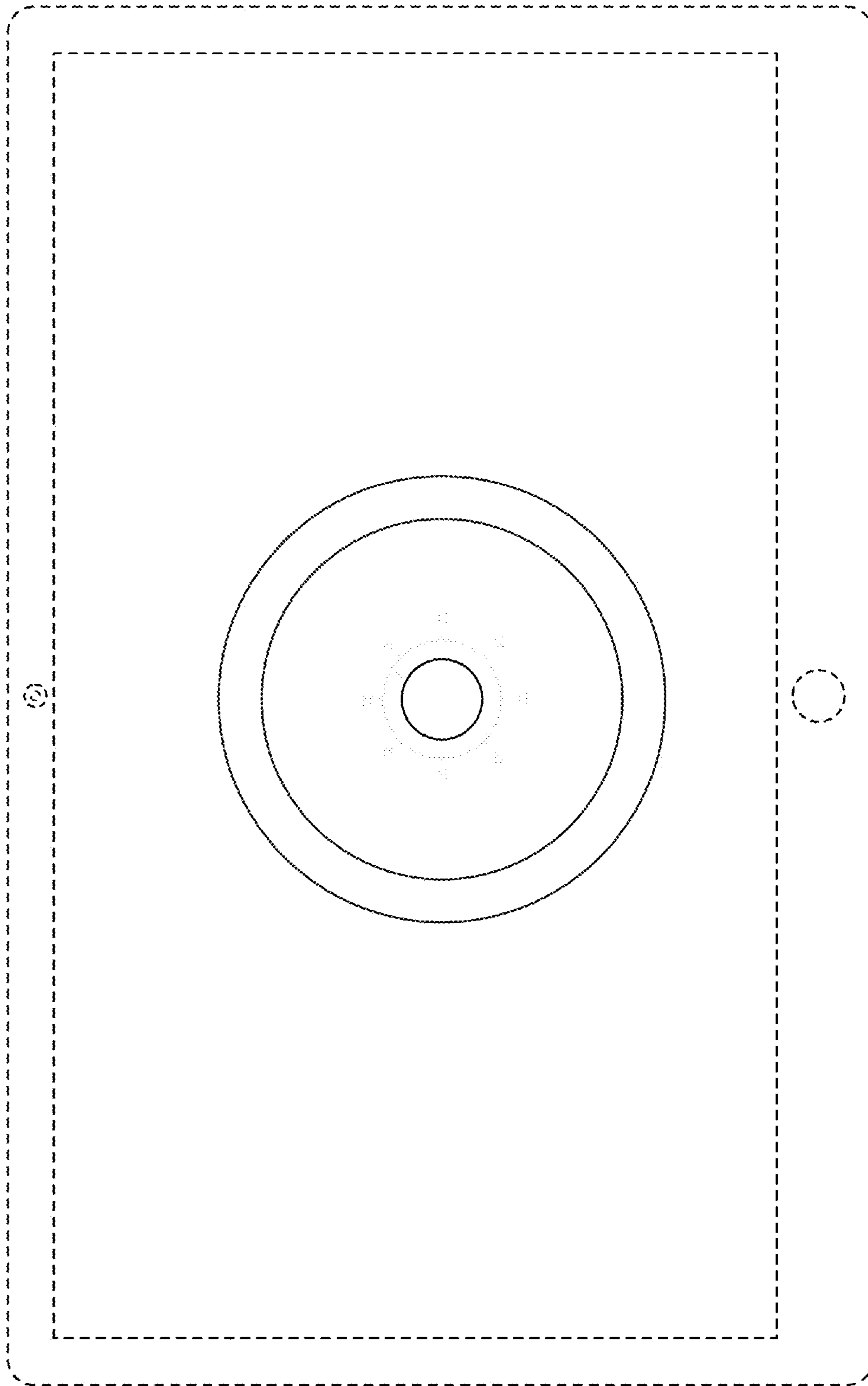


FIG. 7

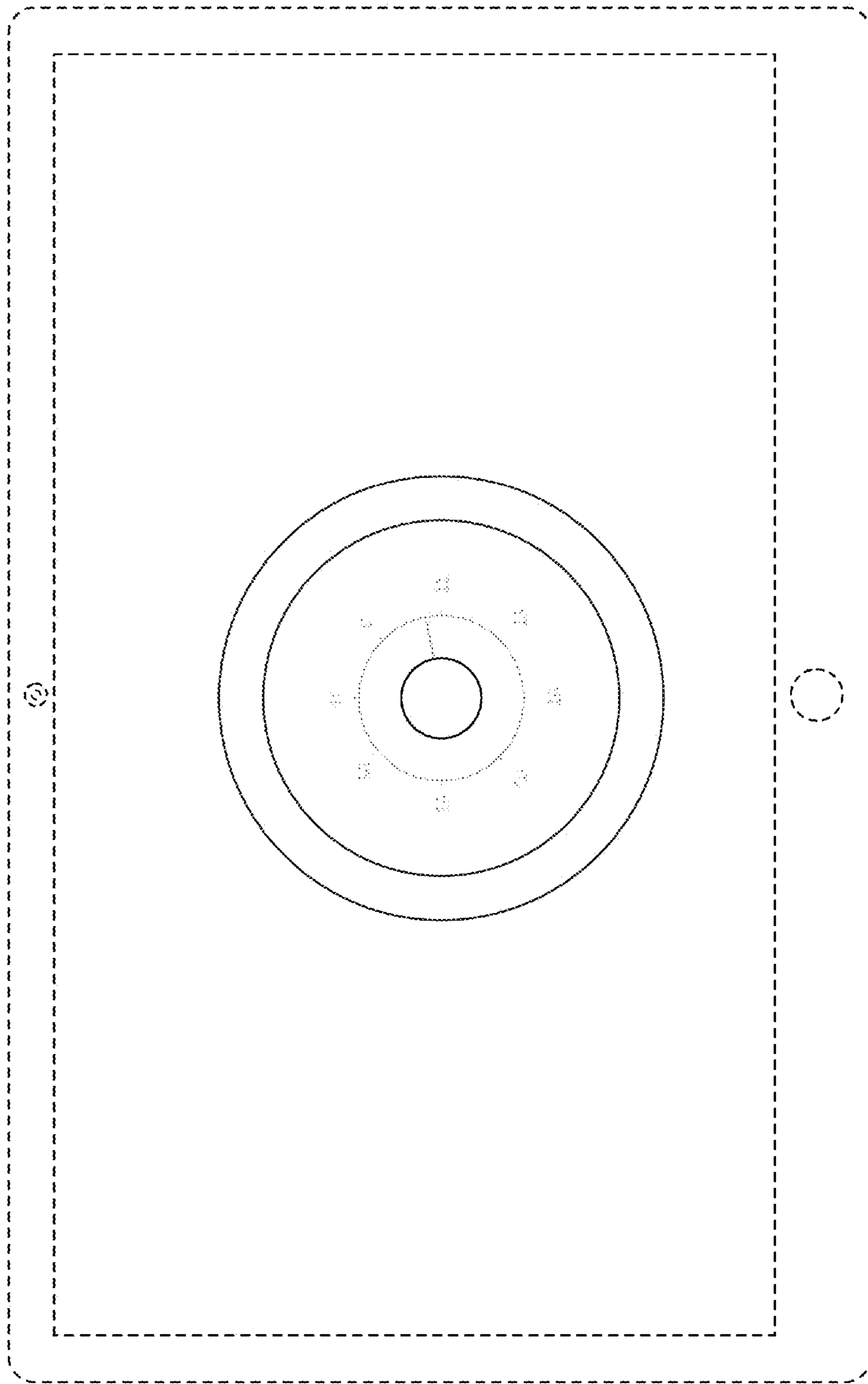


FIG. 8

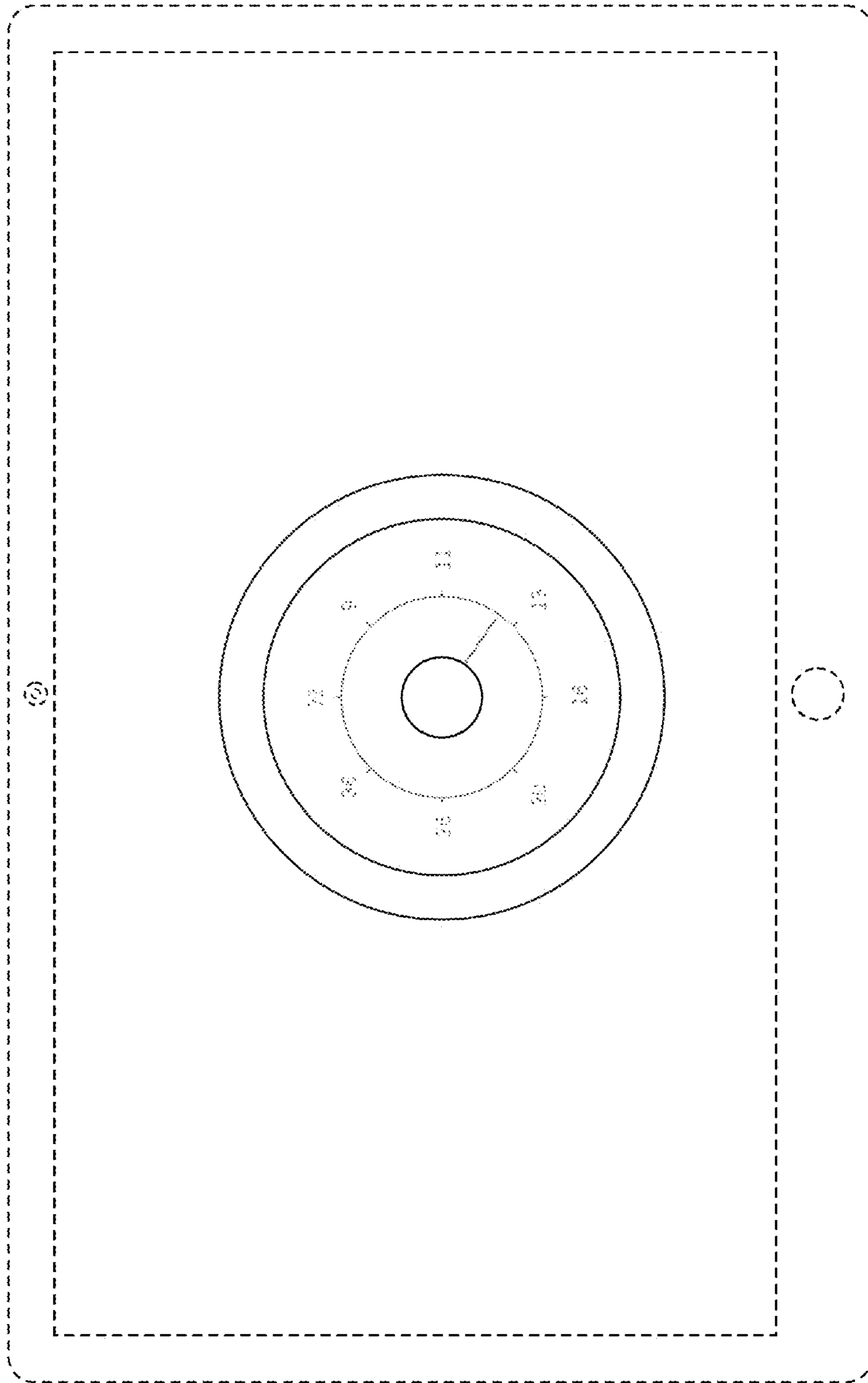
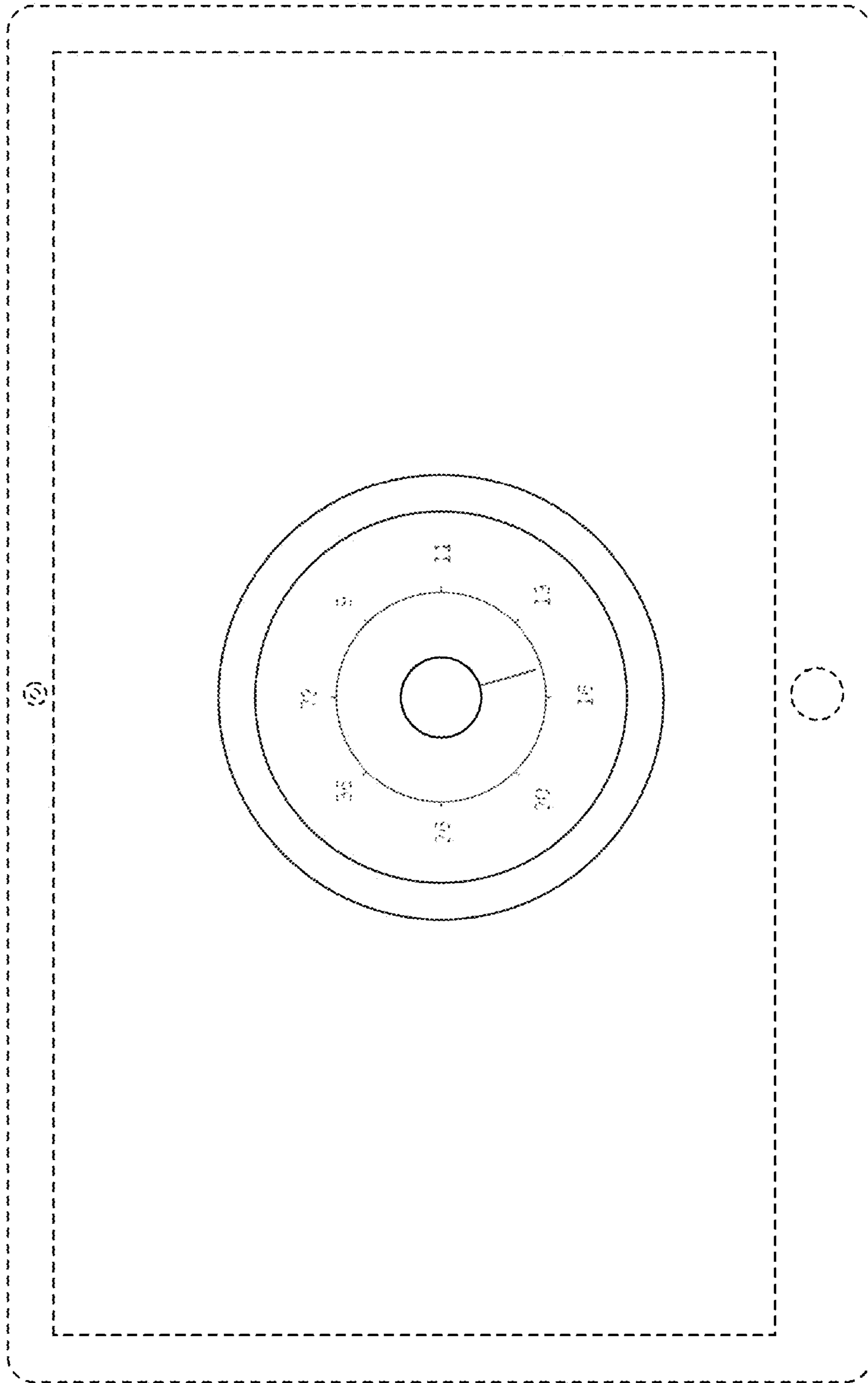


FIG. 9



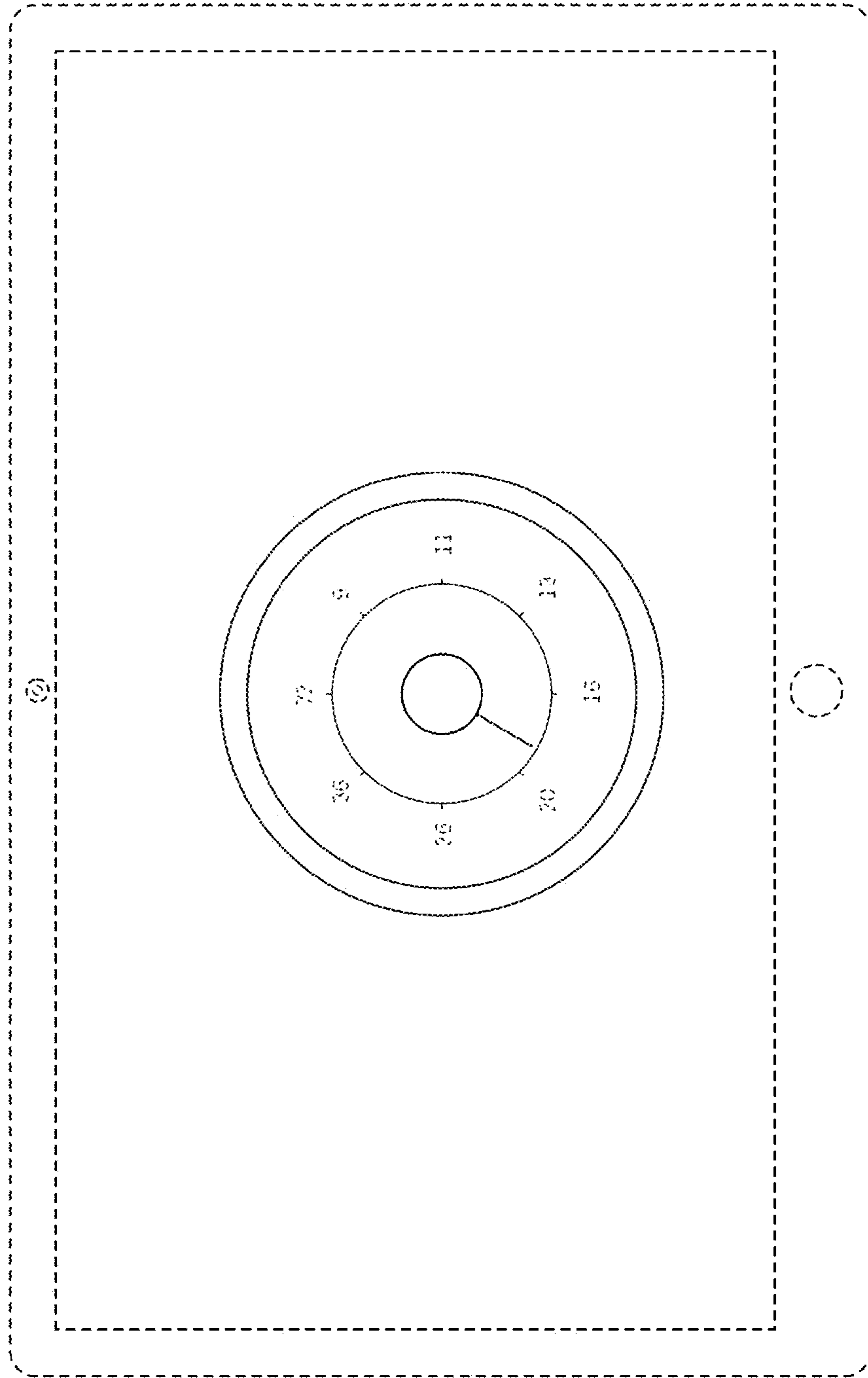


FIG. 11

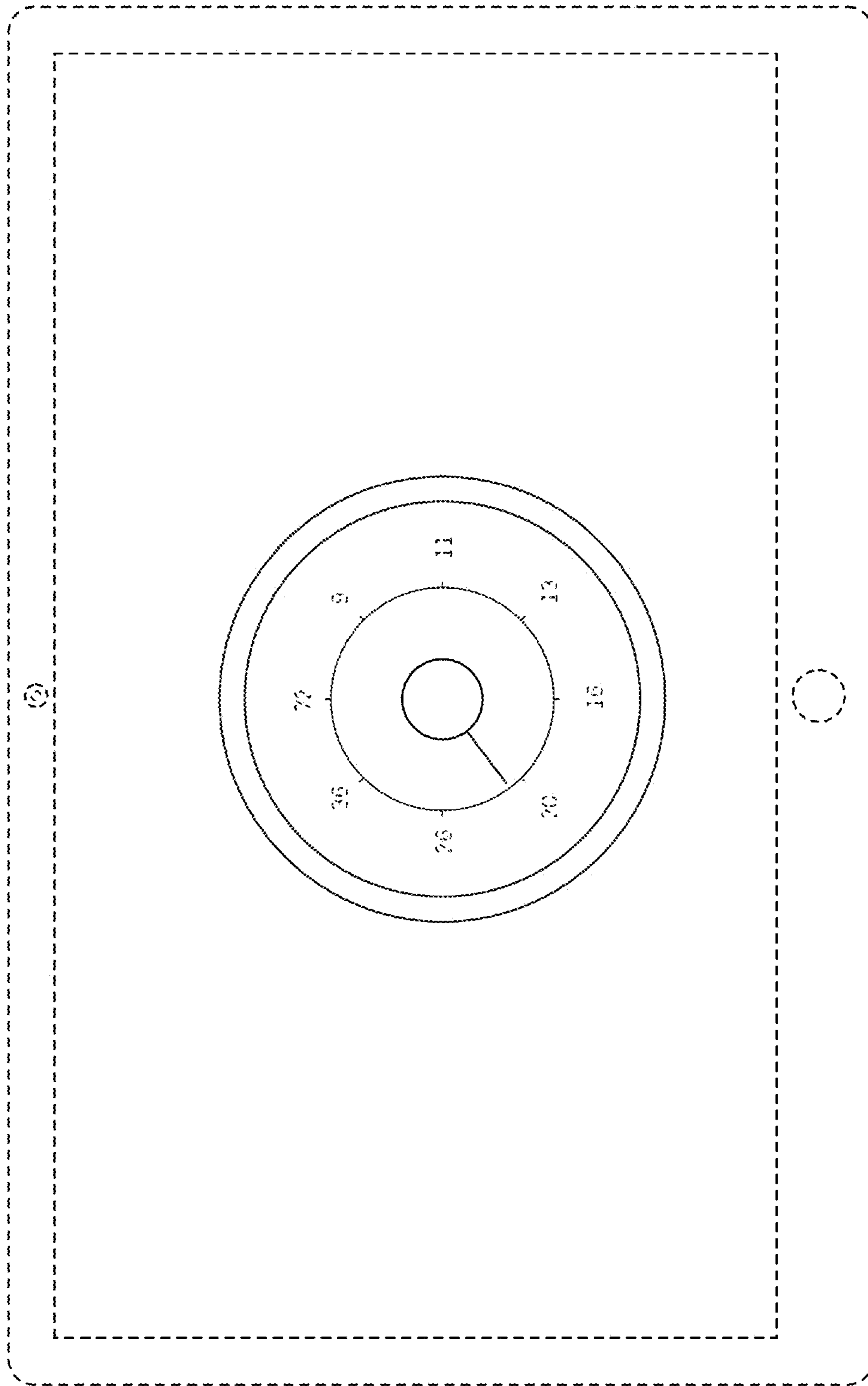


FIG. 12

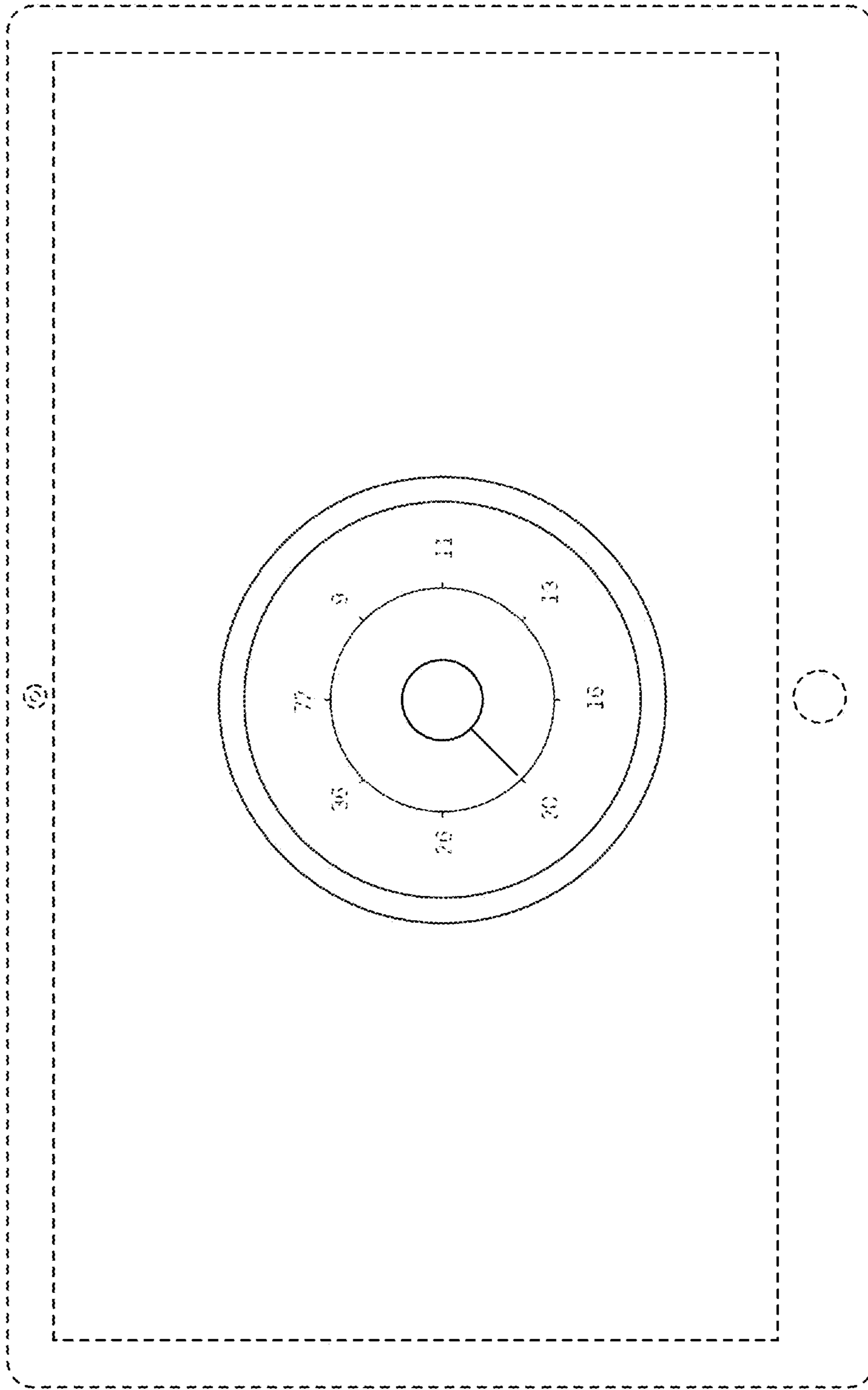


FIG. 13