

US00D699745S

(12) **United States Design Patent**  
**Pearson et al.**

(10) **Patent No.:** **US D699,745 S**  
(45) **Date of Patent:** **\*\* Feb. 18, 2014**

(54) **DISPLAY SCREEN WITH ANIMATED GRAPHICAL USER INTERFACE**

(75) Inventors: **Mark E. Pearson**, Renton, WA (US);  
**Erez Kikin Gil**, Redmond, WA (US);  
**Matthew J. Kotler**, Sammamish, WA (US);  
**Andrew T. Hockman**, Seattle, WA (US)

(73) Assignee: **Microsoft Corporation**, Redmond, WA (US)

(\*\*) Term: **14 Years**

(21) Appl. No.: **29/412,949**

(22) Filed: **Feb. 9, 2012**

(51) **LOC (10) Cl.** ..... **14-04**

(52) **U.S. Cl.**  
USPC ..... **D14/488**

(58) **Field of Classification Search**  
USPC ..... D14/485-95; D18/24-33; D19/6, 52;  
D20/11; D21/324-33; 715/700-867,  
715/973-77

See application file for complete search history.

(56) **References Cited**

**U.S. PATENT DOCUMENTS**

4,747,093	A *	5/1988	Benne et al. ....	369/280
5,526,341	A *	6/1996	Shiba et al. ....	369/275.1
5,675,570	A *	10/1997	Ohira et al. ....	369/275.1
D396,455	S *	7/1998	Bier .....	D14/489
D464,360	S *	10/2002	Grundel et al. ....	D14/485
6,549,219	B2 *	4/2003	Selker .....	715/834
D474,197	S *	5/2003	Nguyen .....	D14/486
D492,695	S *	7/2004	Suzuki et al. ....	D14/489
D493,177	S *	7/2004	Retuta et al. ....	D14/486
D493,471	S *	7/2004	McIntosh .....	D14/485
D504,441	S *	4/2005	Sapp et al. ....	D14/486
D505,135	S *	5/2005	Sapp et al. ....	D14/489
7,046,248	B1	5/2006	Perttunen	
D544,495	S *	6/2007	Evans et al. ....	D14/488

D545,323	S	6/2007	Decombe	
D545,324	S	6/2007	Decombe	
7,281,214	B2	10/2007	Fadell	
D554,660	S	11/2007	Hoover et al.	
D554,661	S	11/2007	Hoover et al.	
D563,972	S	3/2008	Sherry	
D568,898	S	5/2008	Byeon	
D580,949	S	11/2008	Duarte	
D589,521	S	3/2009	Napier et al.	
D591,305	S *	4/2009	Shimoda .....	D14/485
7,516,416	B2	4/2009	Viswanathan et al.	
D592,674	S	5/2009	Kwag	
D604,310	S	11/2009	Ahn	

(Continued)

*Primary Examiner* — Melanie H Tung

(74) *Attorney, Agent, or Firm* — Banner & Witcoff, Ltd.

(57) **CLAIM**

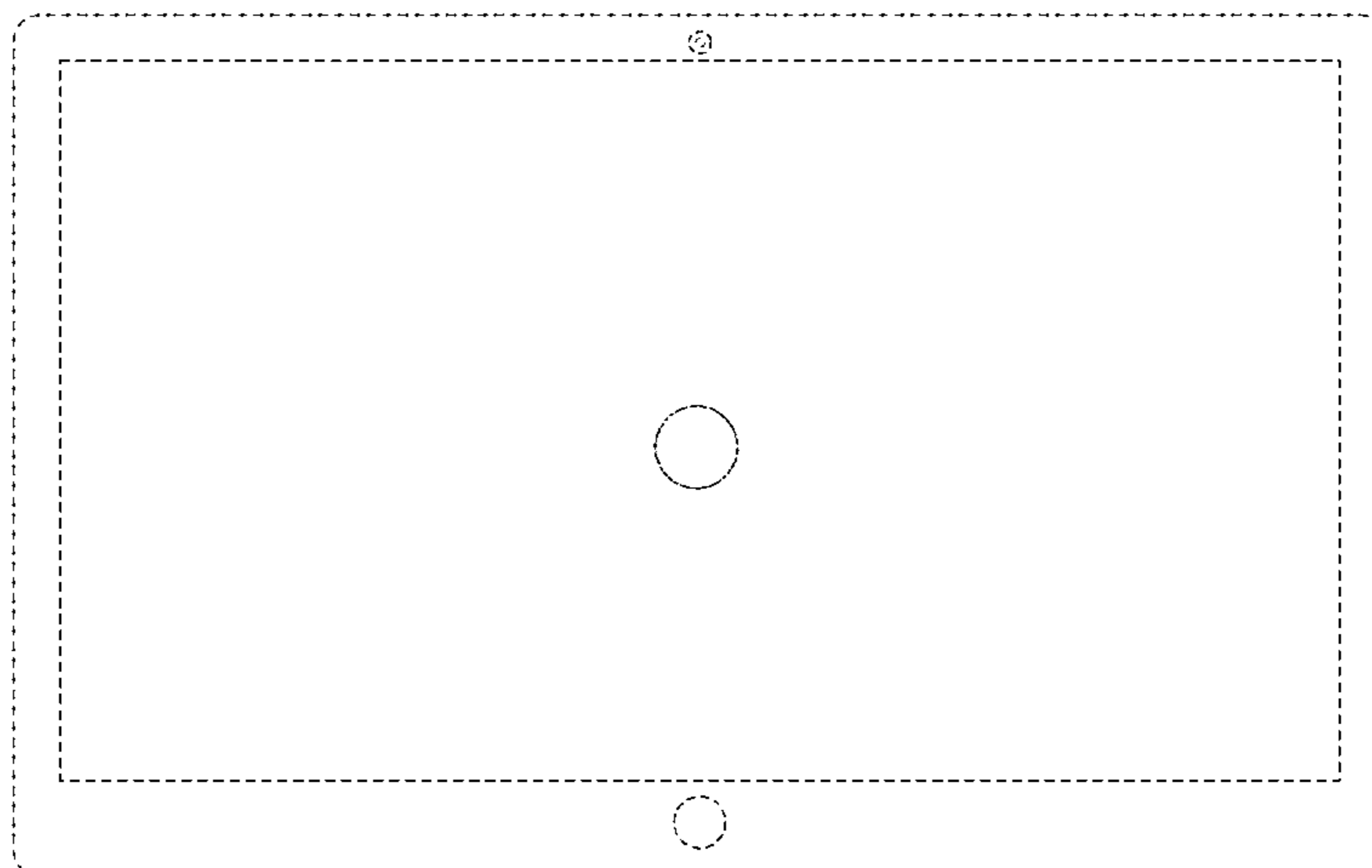
The ornamental design for a display screen with animated graphical user interface, as shown and described.

**DESCRIPTION**

FIG. 1 is the first image in a sequence for a display screen with animated graphical user interface showing our new design; FIG. 2 is the second image thereof; FIG. 3 is the third image thereof; FIG. 4 is the fourth image thereof; FIG. 5 is the fifth image thereof; FIG. 6 is the sixth image thereof; FIG. 7 is the seventh image thereof; FIG. 8 is the eighth image thereof; and, FIG. 9 is the ninth image thereof.

The appearance of the animated graphical user interface sequentially transitions between the images shown in FIGS. 1-9. The process or period in which one image transitions to another forms no part of the claimed design. The broken line showing of the graphical elements in FIGS. 6-9 and the display screen in the figures is for environmental purposes only and forms no part of the claimed design.

**1 Claim, 9 Drawing Sheets**



(56)

**References Cited**

U.S. PATENT DOCUMENTS

D606,081 S 12/2009 Parker et al.  
 D607,007 S \* 12/2009 Kocmick ..... D14/489  
 D614,192 S \* 4/2010 Takano et al. .... D14/486  
 D619,593 S \* 7/2010 Fujioka et al. .... D14/485  
 D619,614 S \* 7/2010 O'Mullan et al. .... D14/489  
 D622,281 S \* 8/2010 Maitlen et al. .... D14/485  
 D625,319 S 10/2010 Allen et al.  
 D625,328 S \* 10/2010 Fitzmaurice et al. .... D14/489  
 D627,360 S \* 11/2010 Aarseth ..... D14/485  
 D635,987 S 4/2011 Mays et al.  
 D635,988 S 4/2011 Mays et al.  
 D637,197 S 5/2011 Ray et al.

D644,243 S \* 8/2011 Matas ..... D14/489  
 D645,470 S \* 9/2011 Matas ..... D14/489  
 D651,611 S \* 1/2012 Ouilhet et al. .... D14/489  
 D651,613 S \* 1/2012 Ouilhet ..... D14/491  
 D664,562 S \* 7/2012 McCain et al. .... D14/489  
 D667,428 S \* 9/2012 Wujcik et al. .... D14/489  
 D667,429 S \* 9/2012 Wujcik et al. .... D14/489  
 D678,902 S \* 3/2013 Evans ..... D14/492  
 D681,669 S \* 5/2013 Phelan ..... D14/489  
 D685,391 S \* 7/2013 Blissenbach et al. .... D14/492  
 2004/0141010 A1 \* 7/2004 Fitzmaurice et al. .... 345/810  
 2005/0010955 A1 \* 1/2005 Elia et al. .... 725/88  
 2008/0126992 A1 \* 5/2008 Scheu et al. .... 715/835  
 2010/0088594 A1 \* 4/2010 Kim et al. .... 715/274

\* cited by examiner

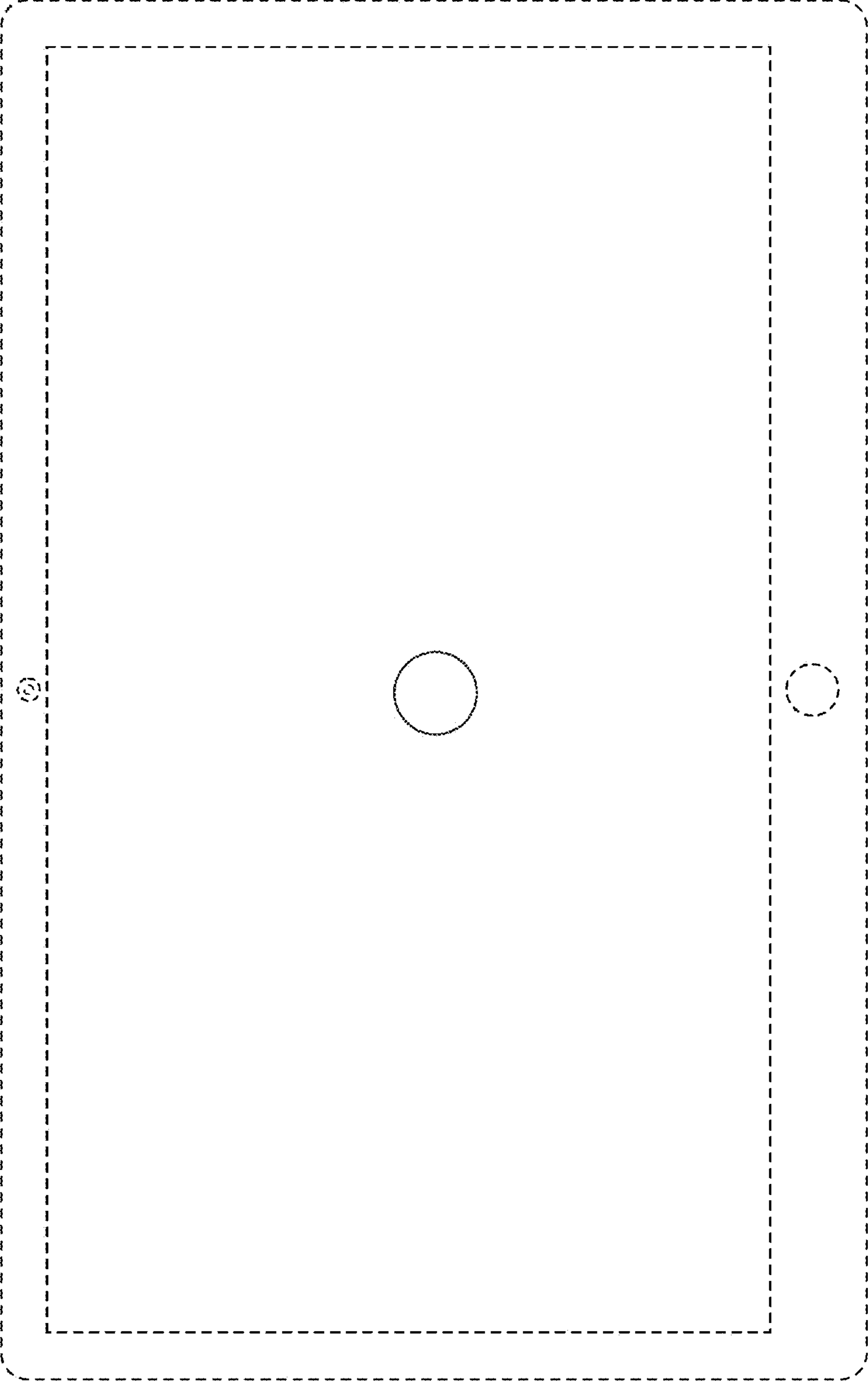
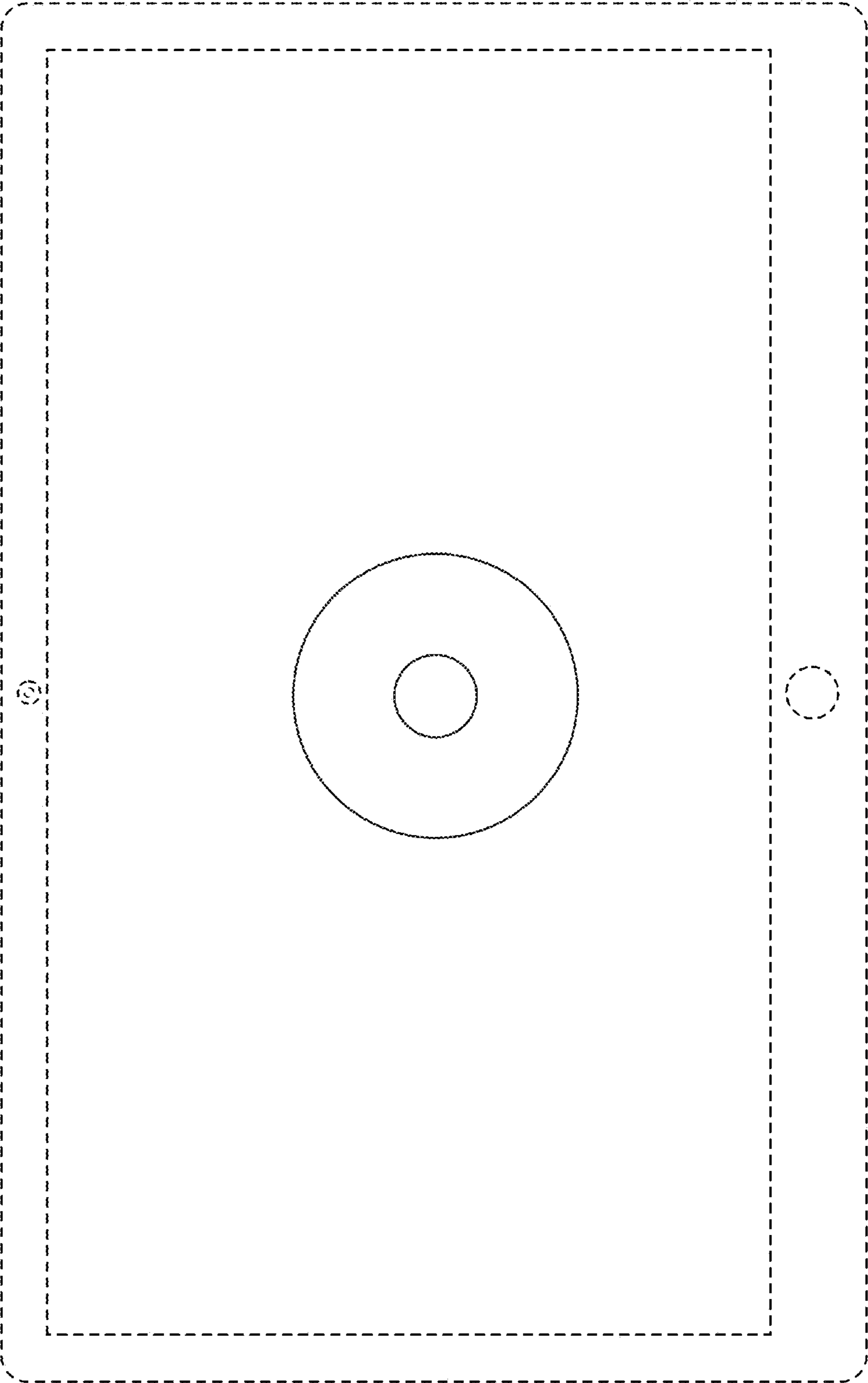


FIG. 1



20

22

FIG. 2

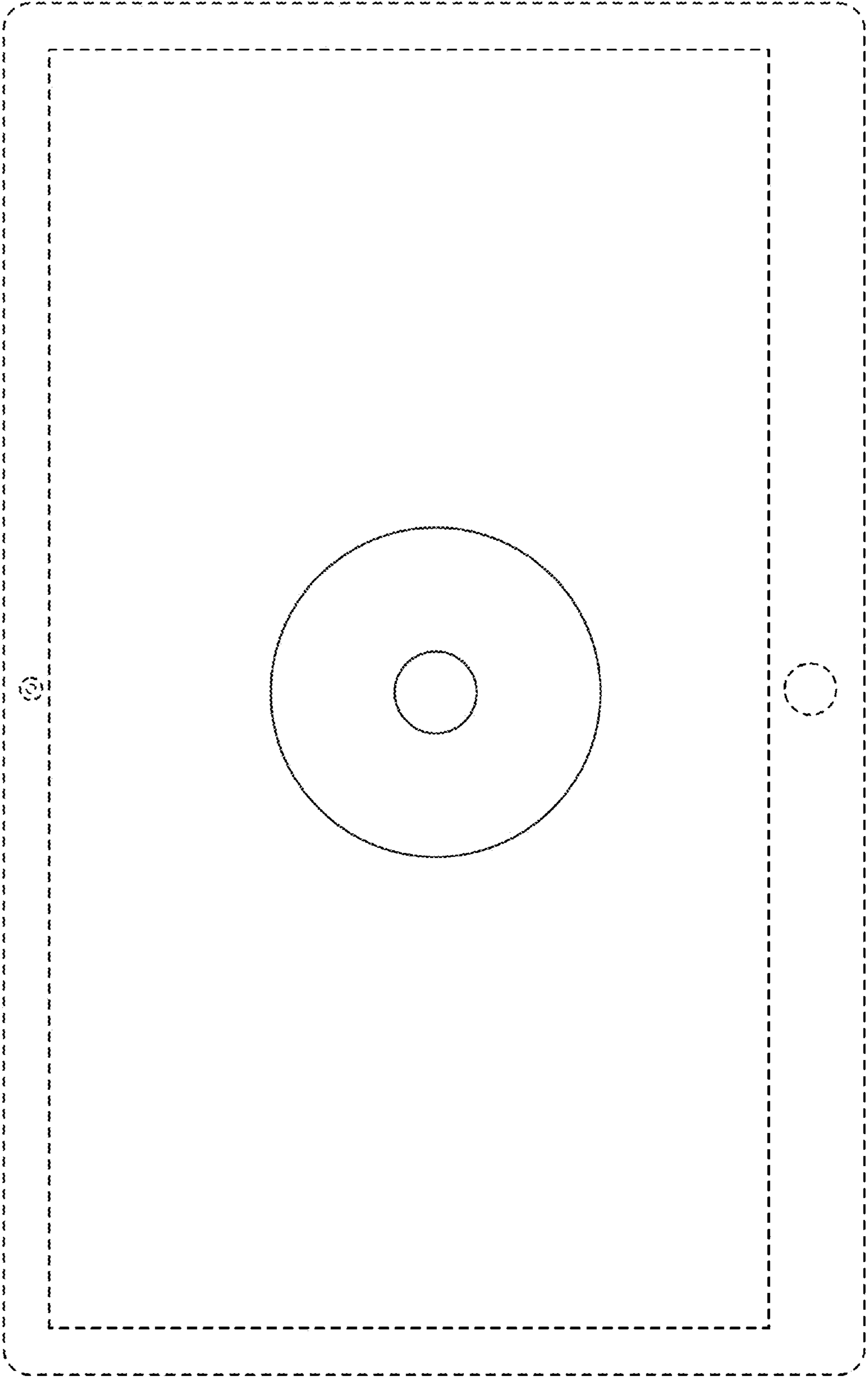


FIG. 3

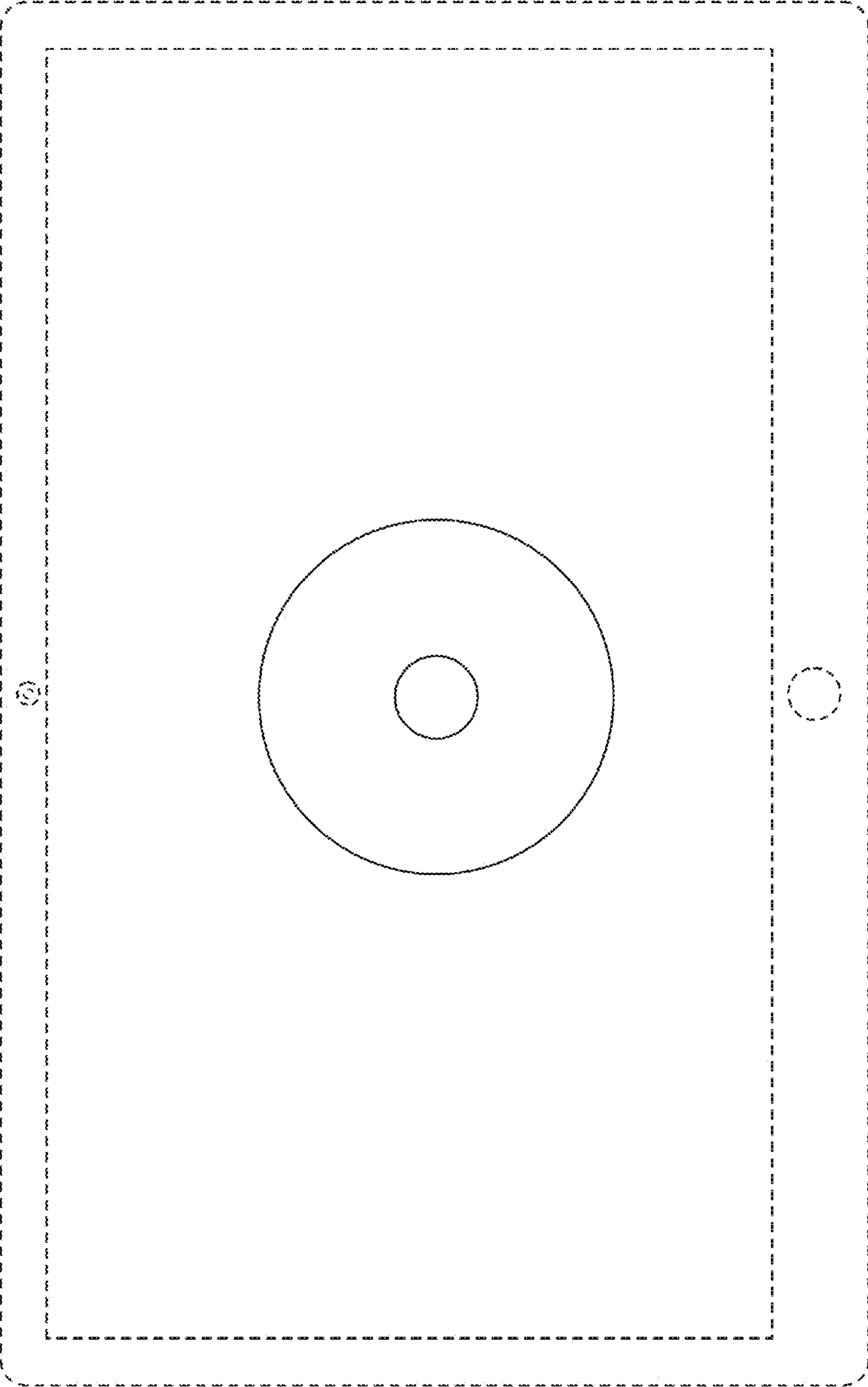


FIG. 4

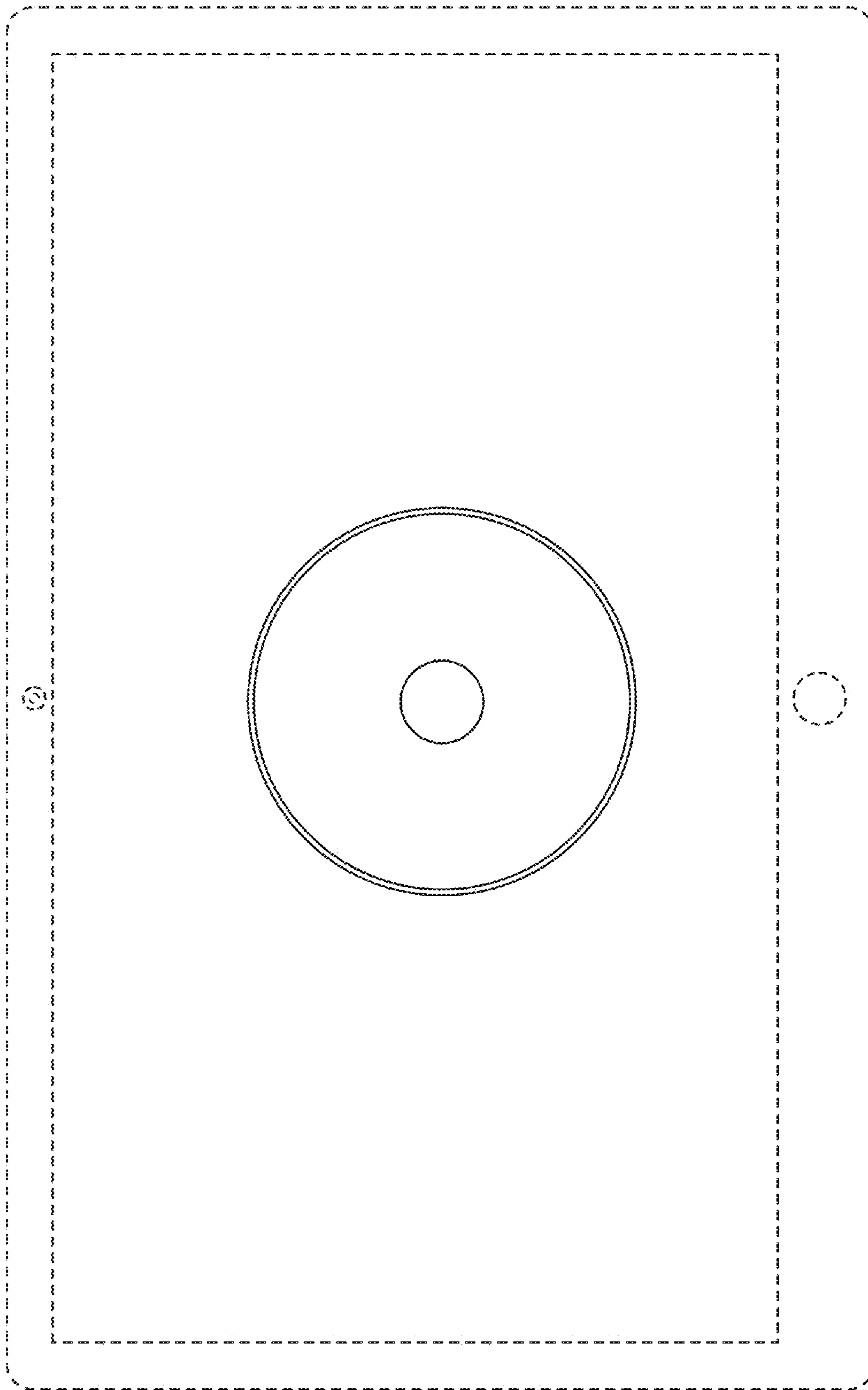
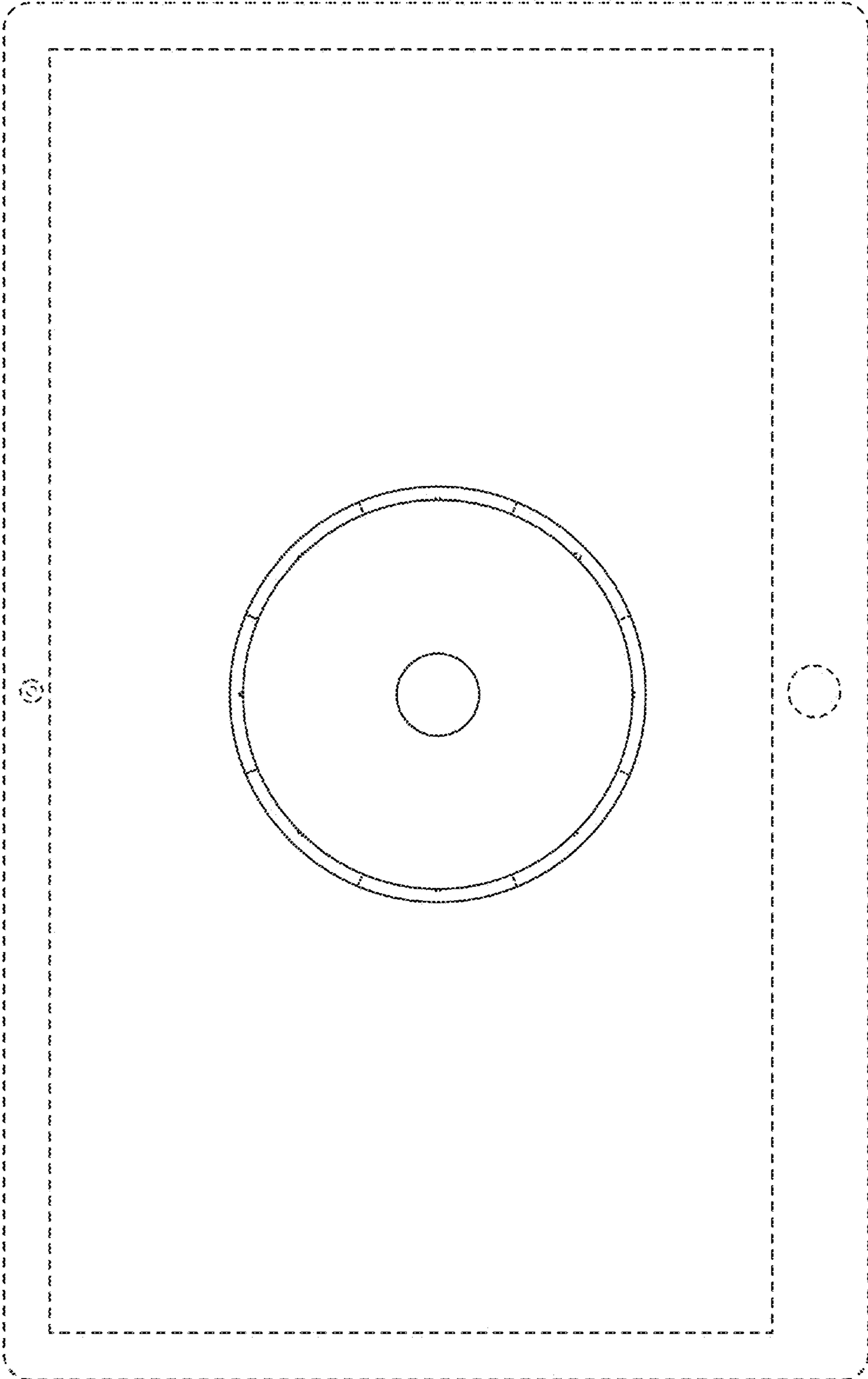


FIG. 5



②

①

FIG. 6



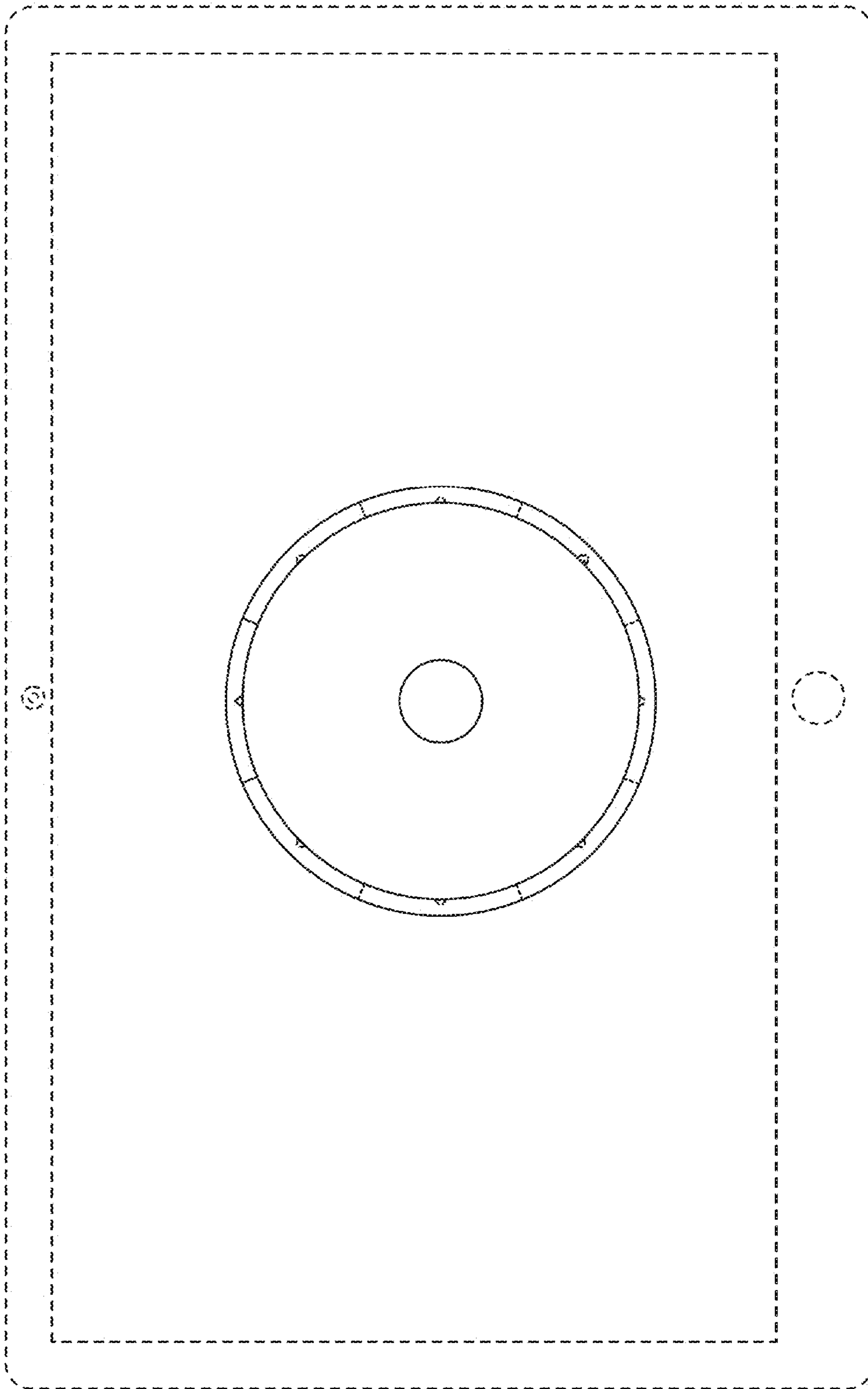


FIG. 7

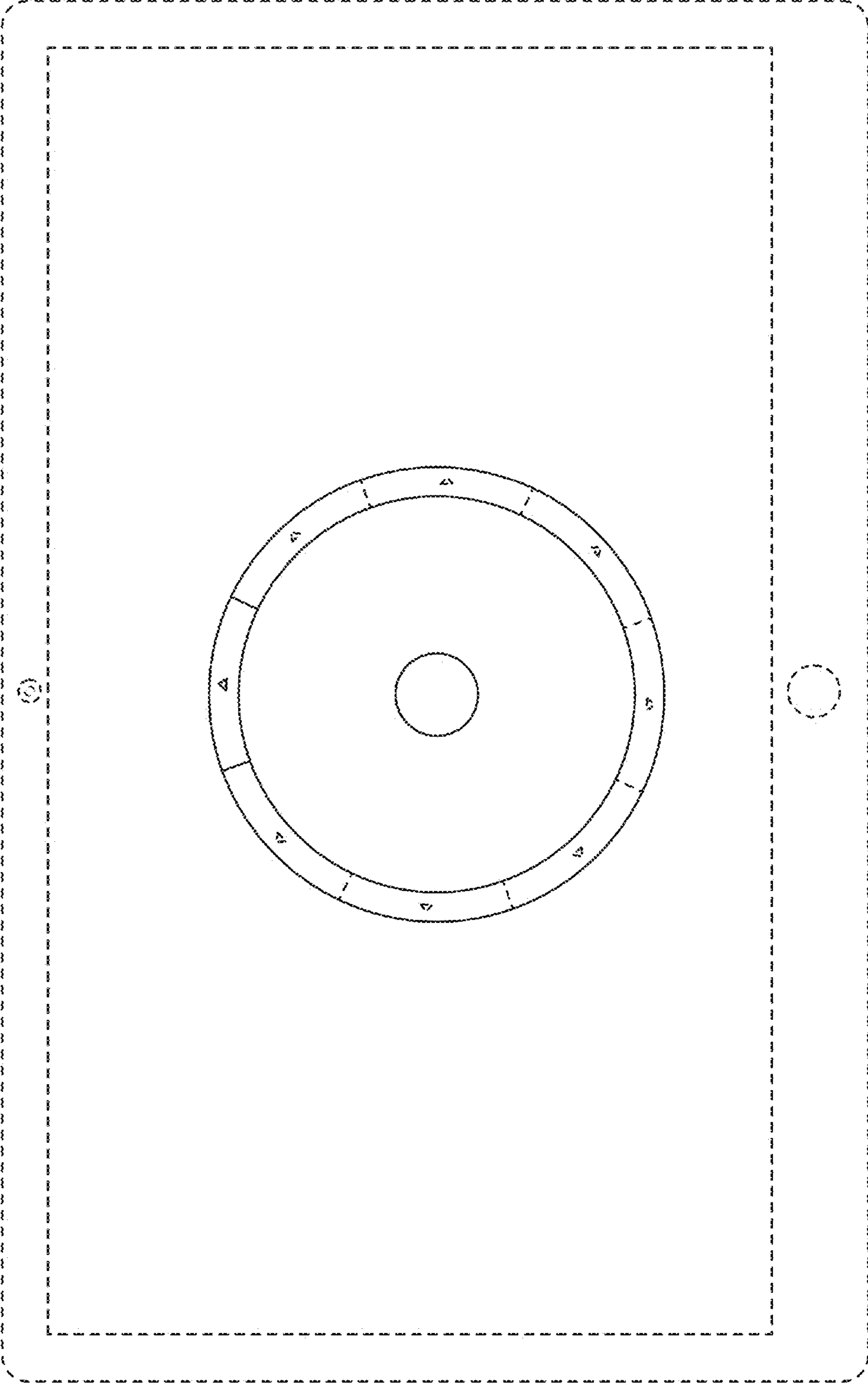


FIG. 8

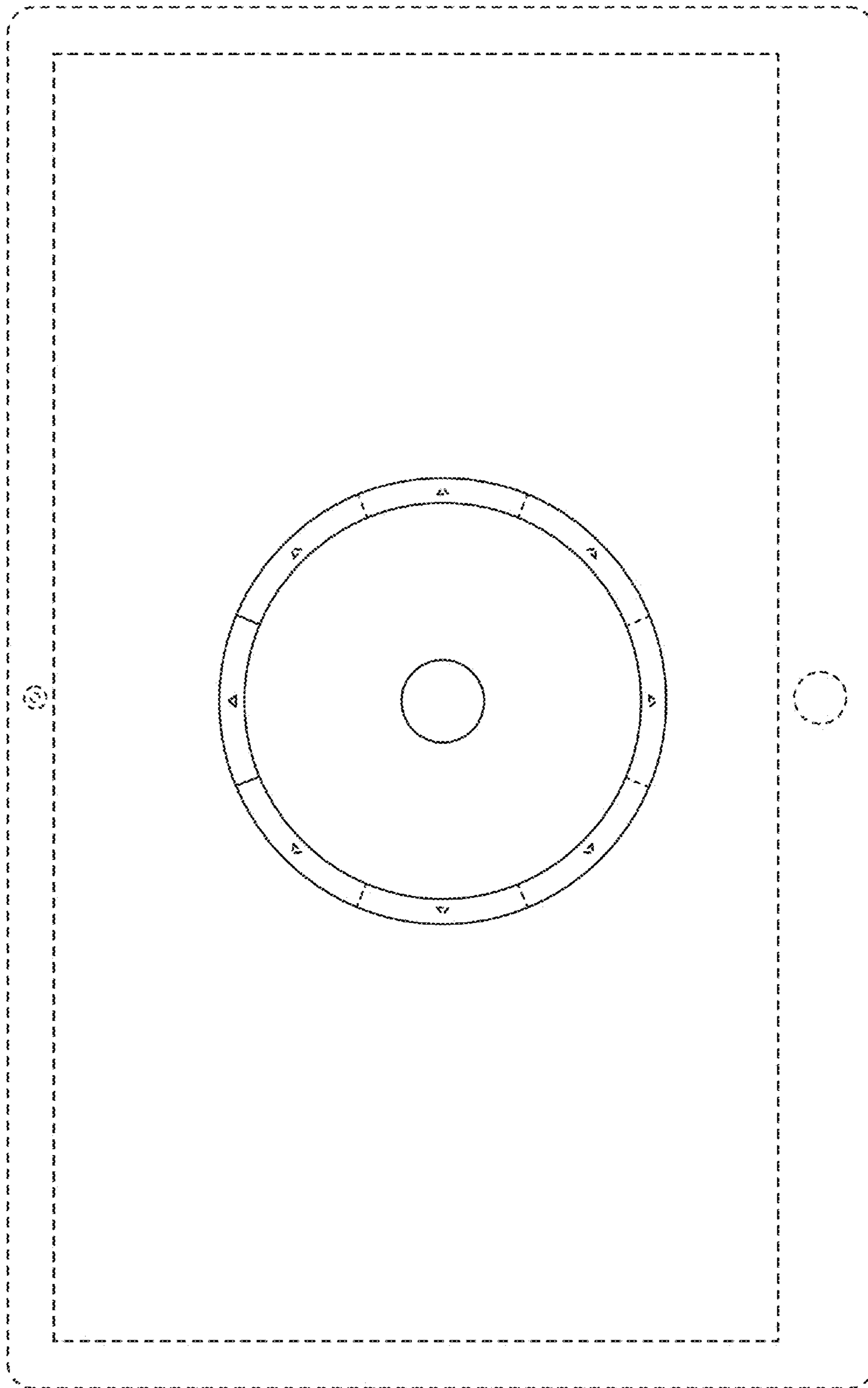


FIG. 9