

US00D699736S

(12) **United States Design Patent**
Kim et al.

(10) **Patent No.:** **US D699,736 S**

(45) **Date of Patent:** **** Feb. 18, 2014**

(54) **DISPLAY SCREEN WITH GRAPHICAL USER INTERFACE**

(75) Inventors: **Ji Hea Kim**, Seoul (KR); **Jung Hyun Lee**, Seoul (KR); **Kyung Eun Hwang**, Seoul (KR)

(73) Assignee: **LG Electronics Inc.**, Seoul (KR)

(**) Term: **14 Years**

(21) Appl. No.: **29/411,485**

(22) Filed: **Jan. 20, 2012**

(30) **Foreign Application Priority Data**

Jul. 22, 2011 (KR) 30-2011-0030721

(51) **LOC (10) Cl.** **14-04**

(52) **U.S. Cl.**
USPC **D14/486**

(58) **Field of Classification Search**
USPC D14/485-495; 715/700, 703, 715, 730, 715/742, 752, 758, 759, 764, 768, 771, 773, 715/776, 777, 779, 780, 781, 808, 809, 841, 715/842, 843, 848, 864, 867, 962, 963, 970, 715/975, 977

See application file for complete search history.

(56) **References Cited**

U.S. PATENT DOCUMENTS

D567,250 S * 4/2008 Kim et al. D14/486
D619,607 S * 7/2010 Hilt et al. D14/486
D624,555 S * 9/2010 Anzures D14/486

D633,917 S * 3/2011 Poling et al. D14/485
D638,846 S * 5/2011 Woods et al. D14/486
D648,344 S * 11/2011 Arnold D14/486
8,055,367 B2 * 11/2011 Kneisel et al. 700/99
D657,373 S * 4/2012 Kim et al. D14/486
D657,376 S * 4/2012 Kim et al. D14/486
D674,404 S * 1/2013 Percy et al. D14/486
2005/0039142 A1 * 2/2005 Jalon et al. 715/823
2006/0095868 A1 * 5/2006 Sawada et al. 715/963
2011/0015947 A1 * 1/2011 Erry et al. 705/3

* cited by examiner

Primary Examiner — Angela J Lee

(74) *Attorney, Agent, or Firm* — Birch, Stewart, Kolasch & Birch, LLP

(57) **CLAIM**

We claim the ornamental design for a display screen with graphical user interface, as shown and described.

DESCRIPTION

The patent or application file contains at least one color drawing. Copies of this patent or patent application publication with color drawing will be provided by the USPTO upon request and payment of the necessary fee.

FIG. 1 is a perspective view of a display screen with graphical user interface showing our new design:

FIG. 2 is a front elevation view thereof; and,

FIG. 3 is an enlarged view of a portion of the image of FIG. 1.

The broken lines shown in the drawings represent environmental structure that forms no part of the claimed design.

1 Claim, 3 Drawing Sheets
(3 of 3 Drawing Sheet(s) Filed in Color)

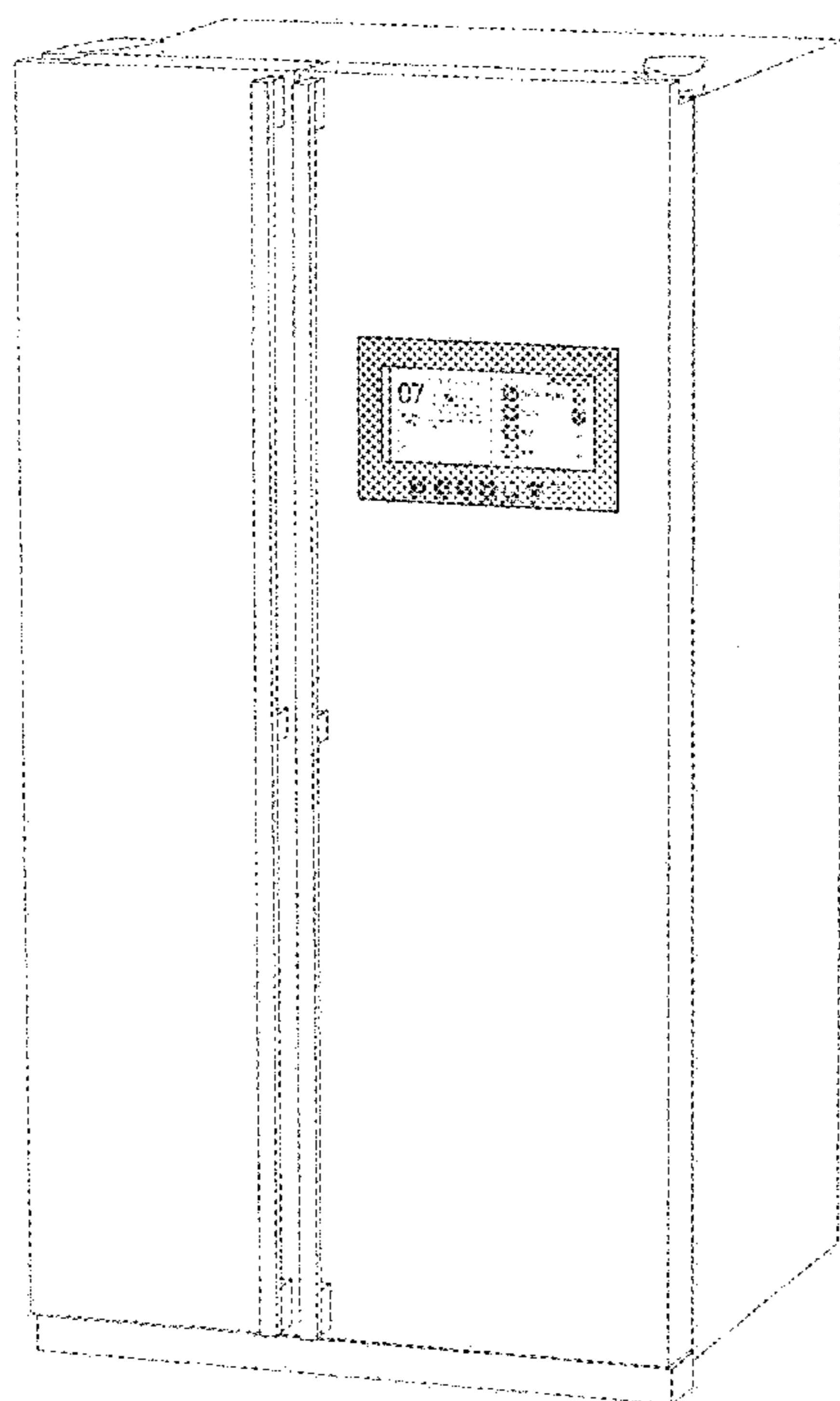


FIG. 1

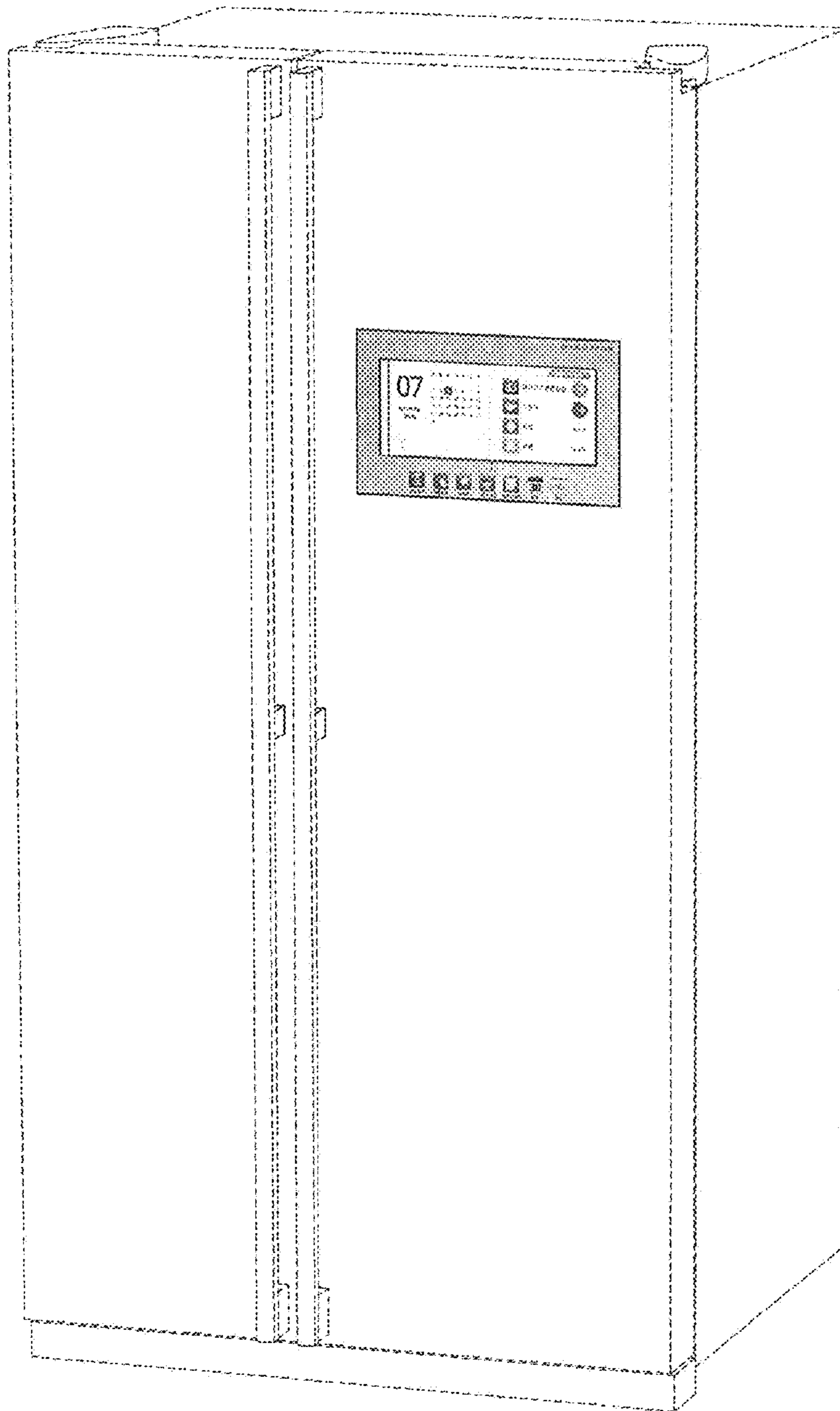


FIG. 2

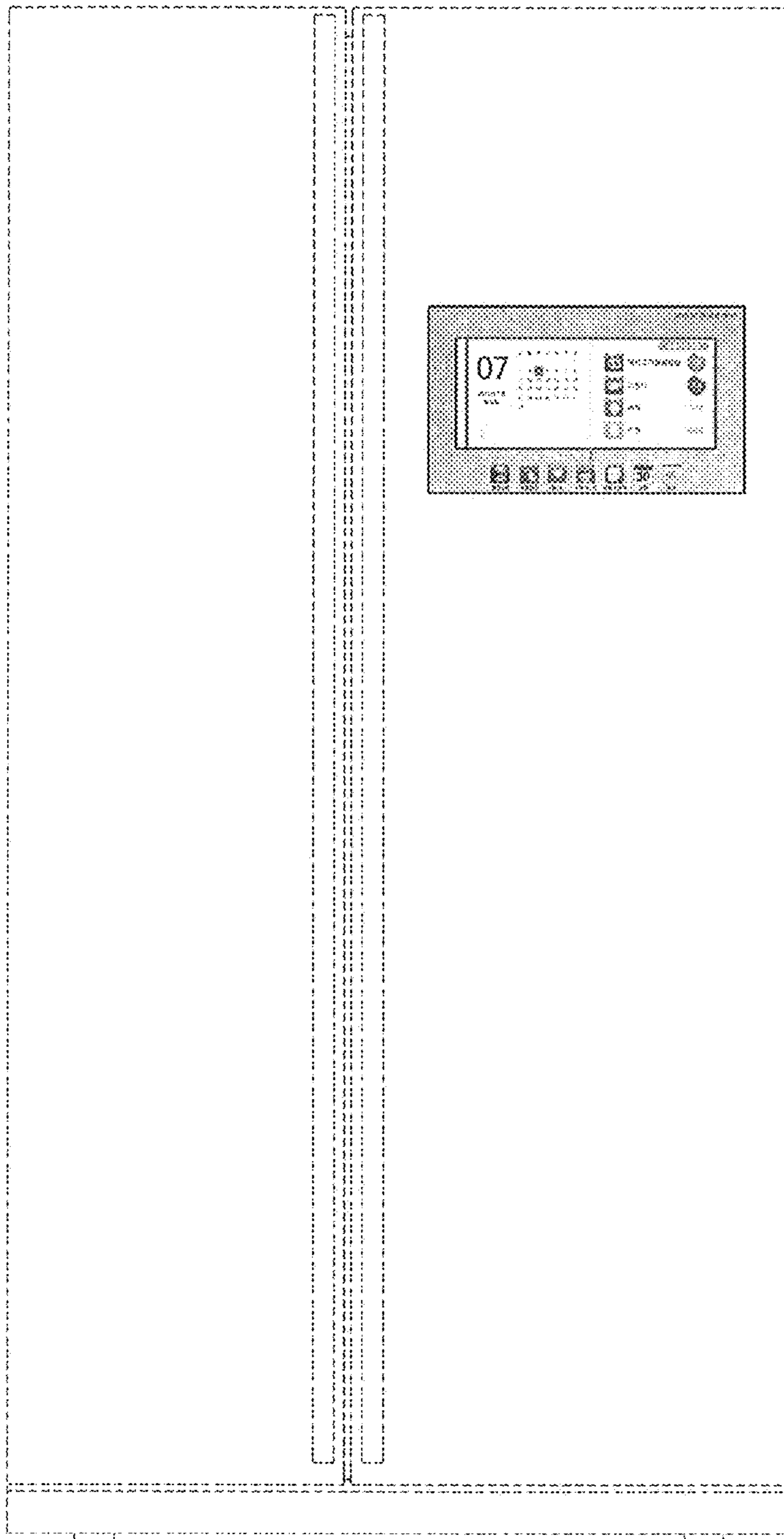


FIG. 3

