

US00D699725S

(12) **United States Design Patent**
Sato et al.

(10) **Patent No.:** **US D699,725 S**
(45) **Date of Patent:** **** Feb. 18, 2014**

(54) **SCANNER**

(71) Applicants: **Yukihiko Sato**, Nagoya (JP); **Jiro Suzuki**, Kariya (JP)

(72) Inventors: **Yukihiko Sato**, Nagoya (JP); **Jiro Suzuki**, Kariya (JP)

(73) Assignee: **Brother Industries, Ltd.**, Nagoya (JP)

(**) Term: **14 Years**

(21) Appl. No.: **29/464,259**

(22) Filed: **Aug. 14, 2013**

(30) **Foreign Application Priority Data**

Feb. 15, 2013 (JP) 2013-3001

(51) **LOC (10) Cl.** **14-02**

(52) **U.S. Cl.**
USPC **D14/421**

(58) **Field of Classification Search**
USPC D14/421–425; D18/55, 49, 46, 40,
D18/36–39, 41, 44, 45, 47, 48, 50–54, 56;
235/462, 455, 470, 462.43, 482, 483;
358/474, 486, 488, 496, 497, 498, 452,
358/449, 451, 453, 1.13; 318/685, 696;
355/81, 75; 399/405, 367, 379, 380;
382/217; 715/209, 222, 226, 274;
400/613, 613.1–613.4, 690.1–690.4,
400/691–694

See application file for complete search history.

(56) **References Cited**

U.S. PATENT DOCUMENTS

D573,145 S * 7/2008 Laidlaw et al. D14/421
D574,886 S * 8/2008 Mase et al. D18/55
D575,330 S * 8/2008 Egami et al. D18/55
D586,384 S * 2/2009 Yamaguchi et al. D18/55
D591,302 S * 4/2009 Yagi et al. D14/421
D609,270 S * 2/2010 Kato et al. D18/55

D611,091 S * 3/2010 Ishikawa et al. D18/55
D613,791 S * 4/2010 Yoshioka et al. D18/55
D613,792 S * 4/2010 Suzuki et al. D18/55
D614,235 S * 4/2010 Nakata D18/55
D614,693 S * 4/2010 Kato et al. D18/50
D616,927 S * 6/2010 Suzuki et al. D18/55
D643,464 S * 8/2011 Sato et al. D18/55
7,999,976 B2 * 8/2011 Lee 358/498
D647,133 S * 10/2011 Sato et al. D18/55
8,164,806 B2 * 4/2012 Yang et al. 358/498
D661,345 S * 6/2012 Asano et al. D18/50
D662,974 S * 7/2012 Suzuki et al. D18/55
8,237,995 B2 * 8/2012 Yamazaki et al. 358/474
D670,328 S * 11/2012 Suzuki et al. D18/55
D673,603 S * 1/2013 Suzuki et al. D18/55
D674,011 S * 1/2013 Sato D18/55
8,368,976 B2 * 2/2013 Hsu 358/498
8,379,278 B2 * 2/2013 Kawai 358/498
8,503,049 B2 * 8/2013 Kattou et al. 358/498
8,520,273 B2 * 8/2013 Lee et al. 358/498
8,520,274 B2 * 8/2013 Sahara 358/498

(Continued)

FOREIGN PATENT DOCUMENTS

JP A-2013-086502 5/2013

Primary Examiner — Susan Moon Lee

(74) *Attorney, Agent, or Firm* — Oliff & Berridge, PLC

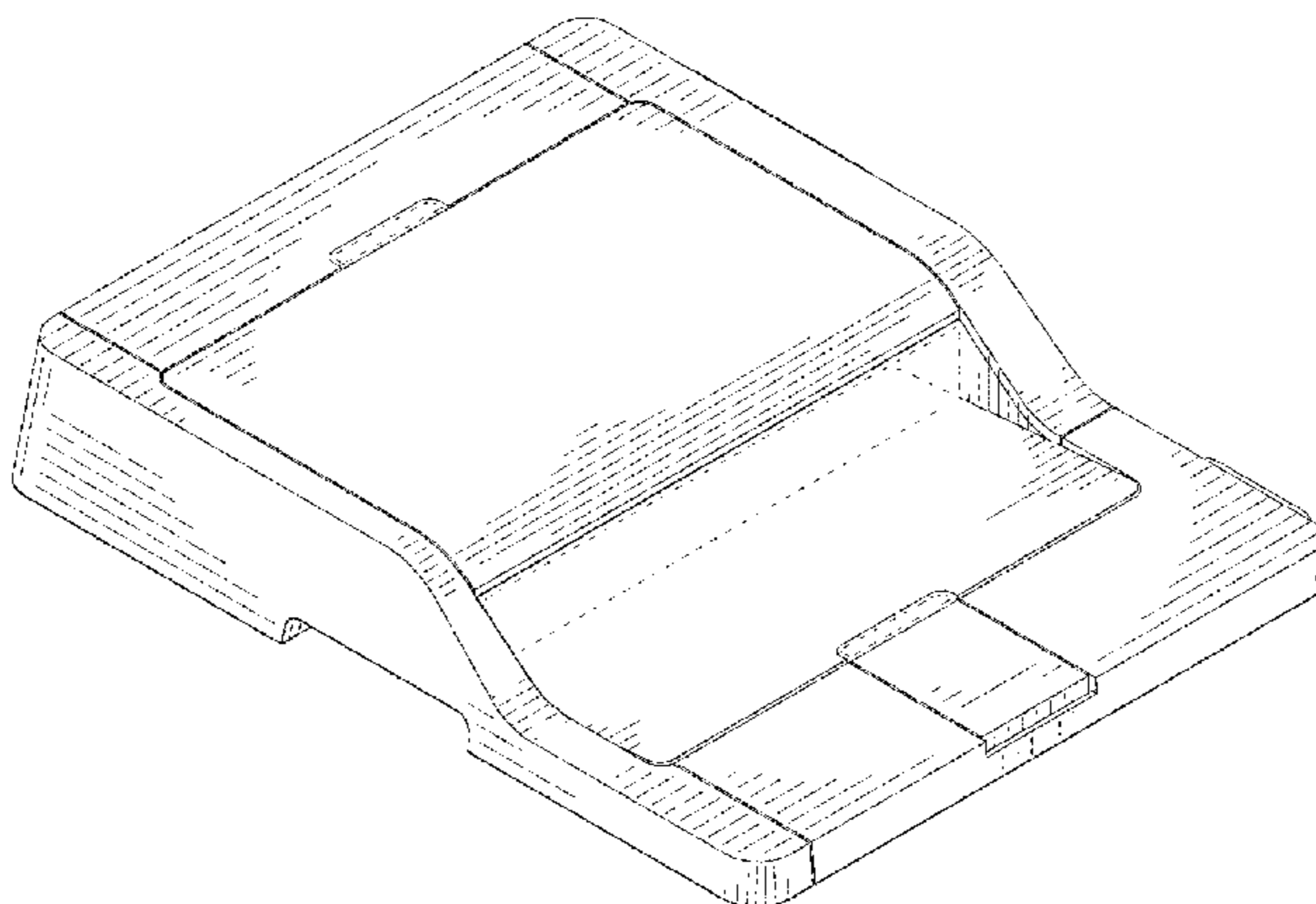
(57) **CLAIM**

The ornamental design for a scanner, as shown and described.

DESCRIPTION

FIG. 1 is a perspective view of a scanner;
FIG. 2 is a front view thereof;
FIG. 3 is a top view thereof;
FIG. 4 is a right-side view thereof;
FIG. 5 is a left-side view thereof;
FIG. 6 is a rear view thereof; and,
FIG. 7 is a bottom view thereof.
Broken lines and portions contained within broken line are not claimed.

1 Claim, 4 Drawing Sheets



US D699,725 S

Page 2

(56)

References Cited

U.S. PATENT DOCUMENTS

				8,542,415 B2 *	9/2013	Takeuchi et al.	358/498
				8,542,416 B2 *	9/2013	Takeuchi	358/498
				8,542,417 B2 *	9/2013	Nagami	358/498
	8,526,081 B2 *	9/2013	Asada et al.				358/498
	8,531,741 B2 *	9/2013	Takeuchi et al.				358/498

* cited by examiner

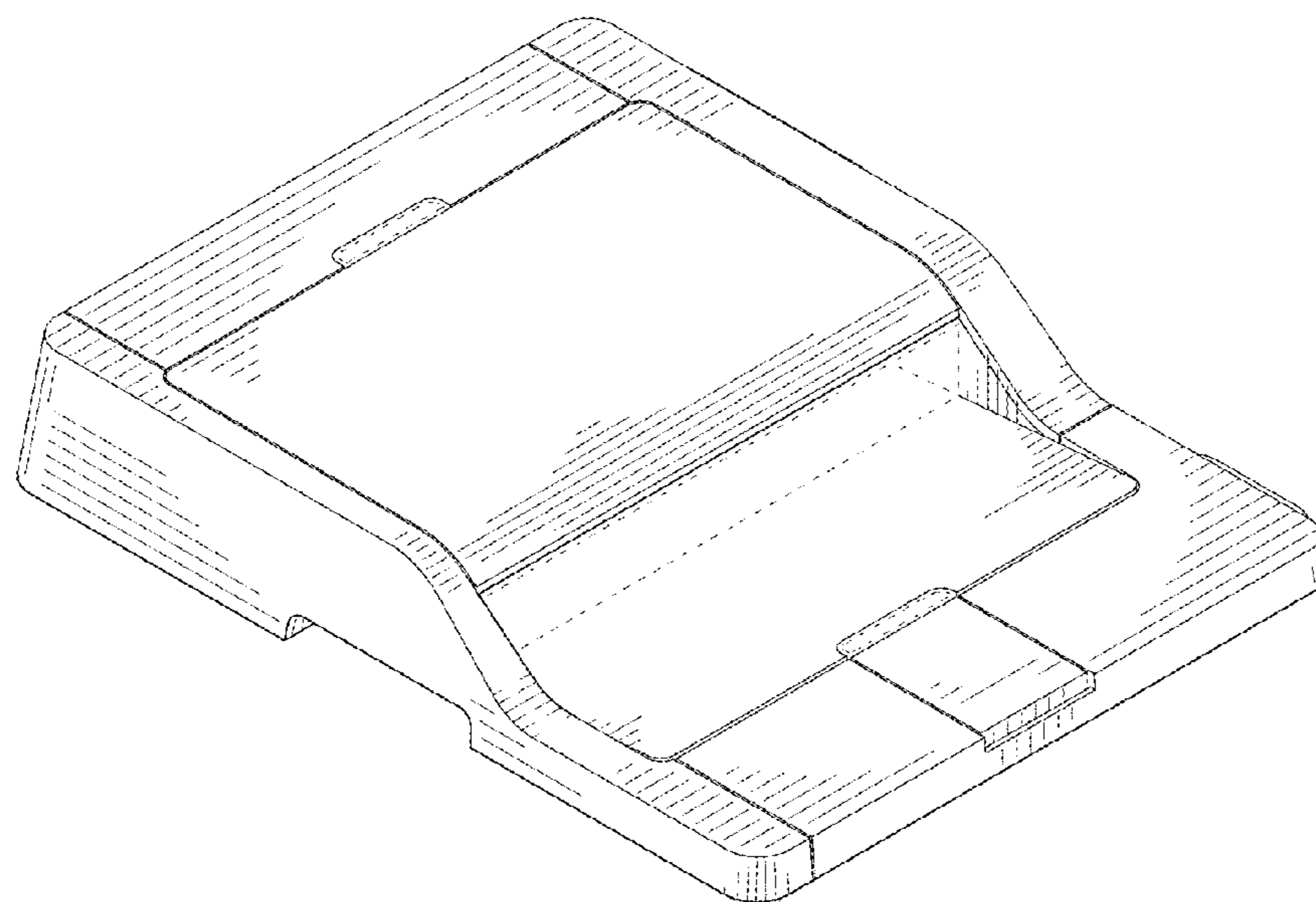


FIG. 1

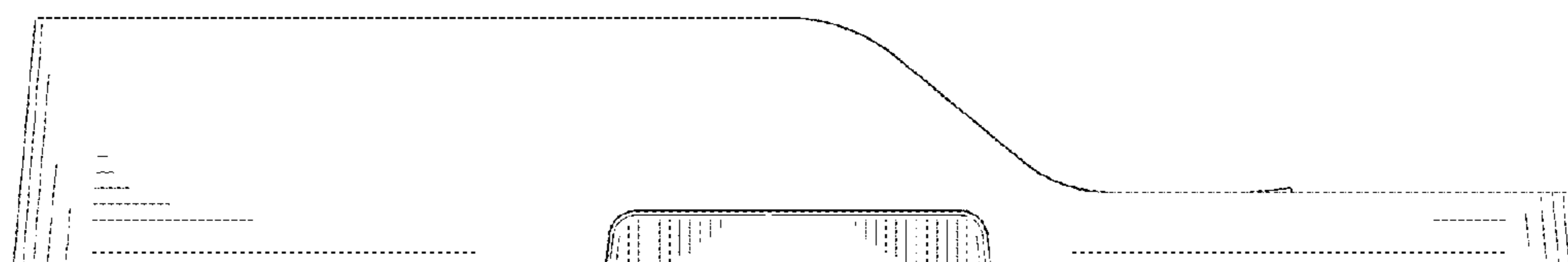


FIG. 2

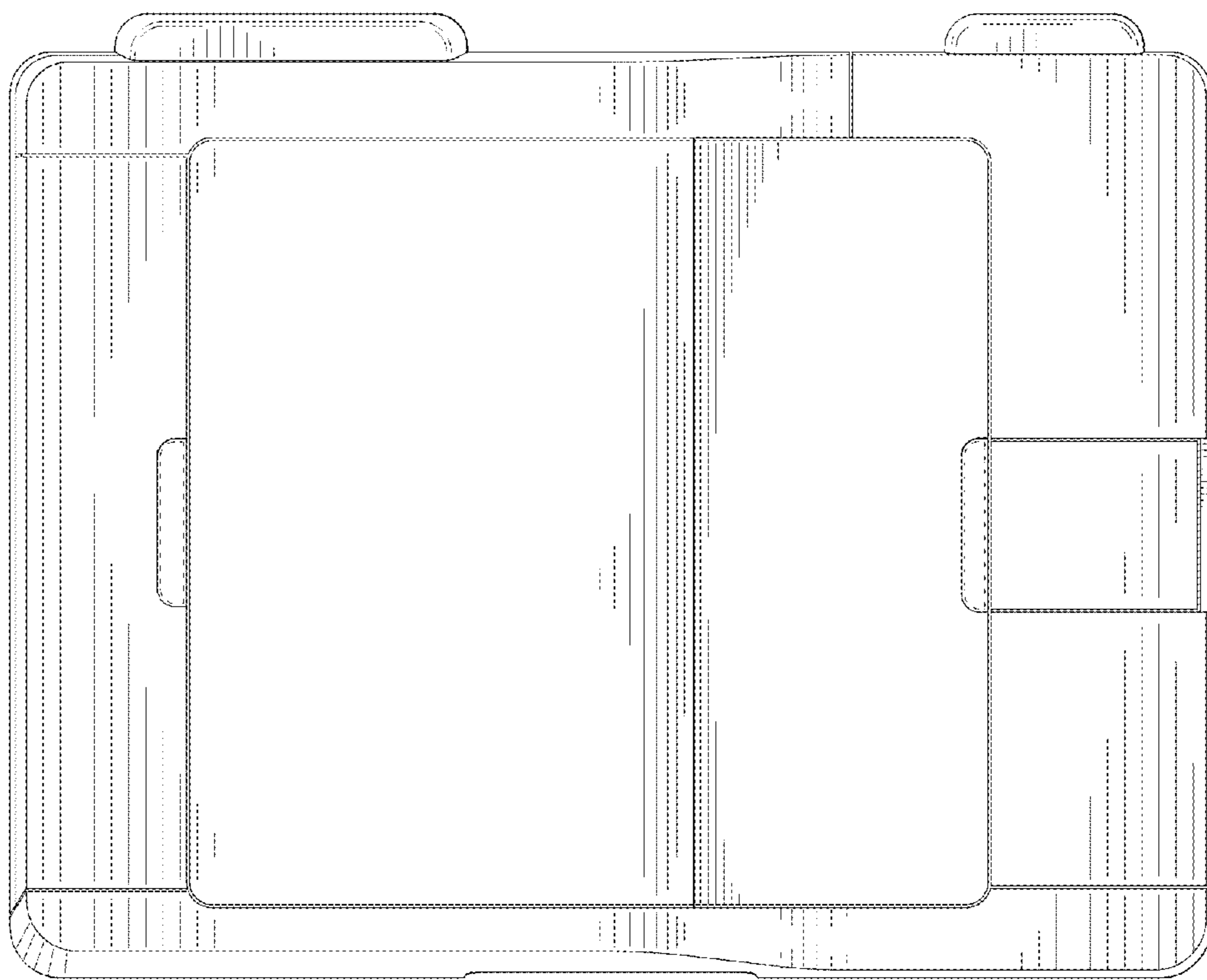


FIG. 3

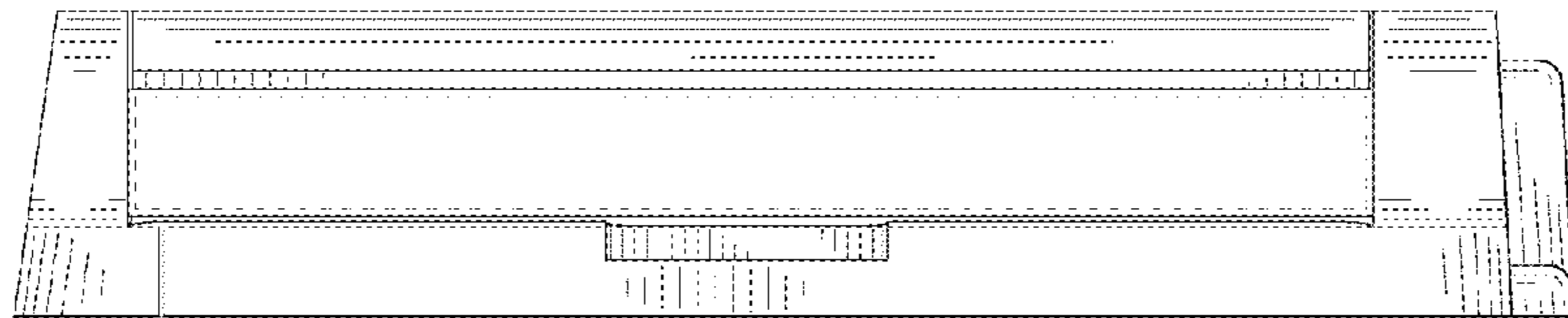


FIG. 4

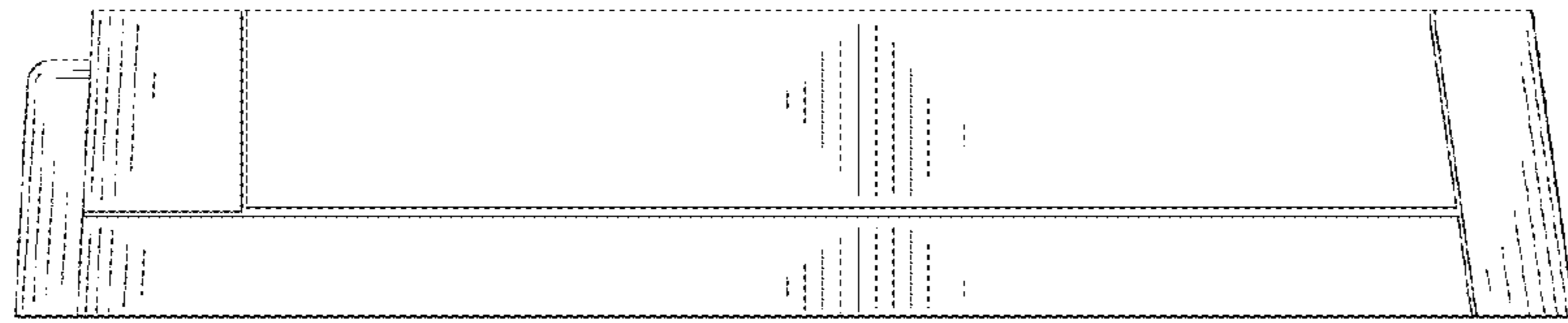


FIG. 5

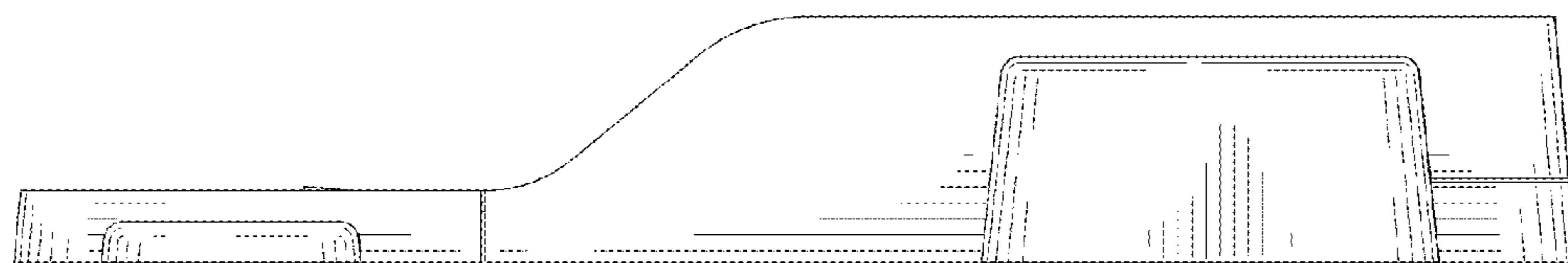


FIG. 6

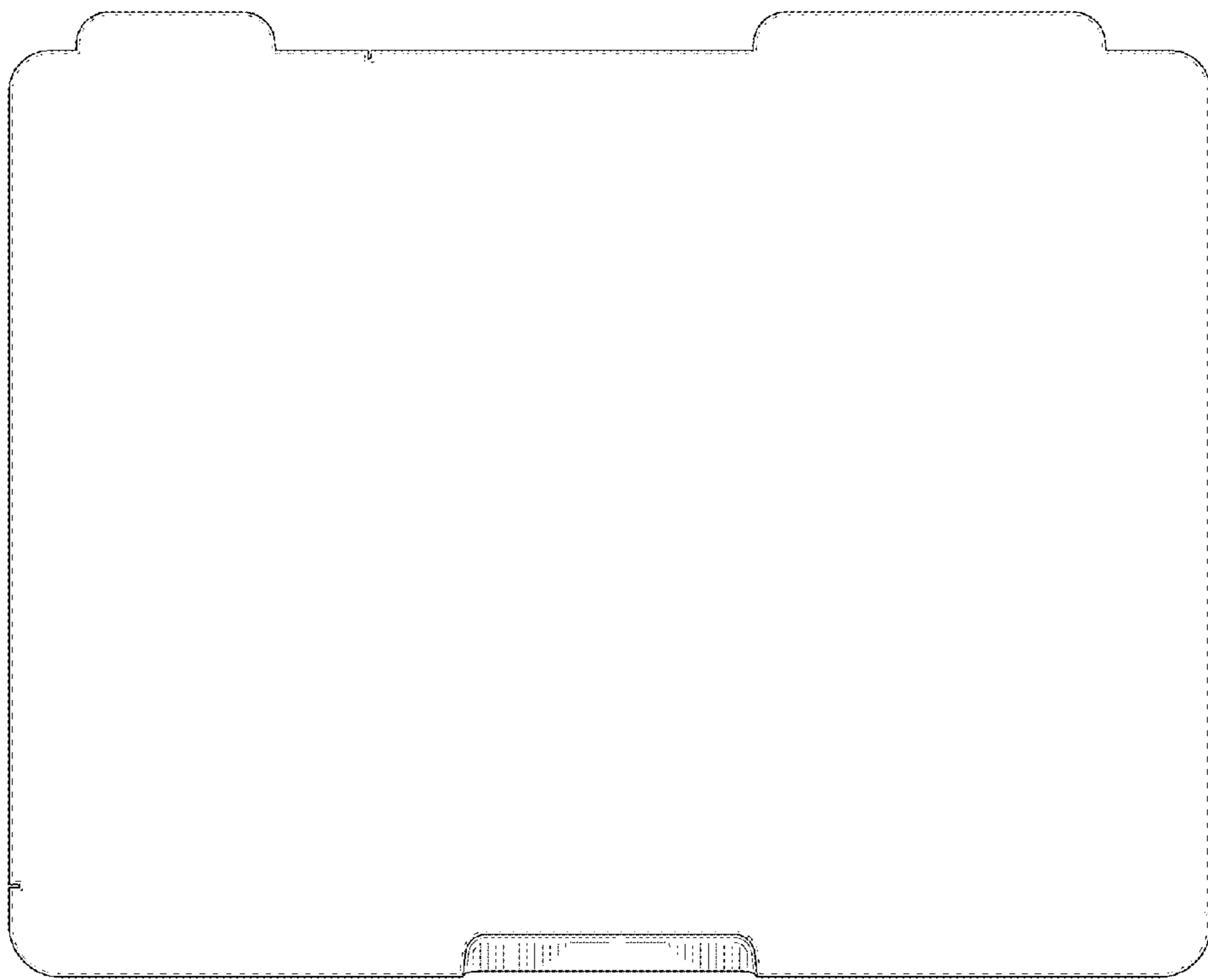


FIG. 7