



US00D699724S

(12) **United States Design Patent**  
**Isozaki**

(10) **Patent No.:** **US D699,724 S**  
(45) **Date of Patent:** **\*\* Feb. 18, 2014**

- (54) **INDUSTRIAL IMAGE READER**
- (71) Applicant: **Fujifilm Corporation**, Tokyo (JP)
- (72) Inventor: **Makoto Isozaki**, Minato-ku (JP)
- (73) Assignee: **FUJIFILM Corporation**, Tokyo (JP)
- (\*\*) Term: **14 Years**
- (21) Appl. No.: **29/455,839**
- (22) Filed: **May 24, 2013**
- (30) **Foreign Application Priority Data**  
Nov. 28, 2012 (JP) ..... 2012-029069
- (51) **LOC (10) Cl.** ..... **14-02**
- (52) **U.S. Cl.**  
USPC ..... **D14/421**
- (58) **Field of Classification Search**  
USPC ..... D14/421-425; D18/55, 49, 46, 40,  
D18/36-39, 41, 44, 45, 47, 48, 50-54, 56;  
235/462, 455, 470, 462.43, 482, 483;  
358/474, 486, 488, 496, 497, 498, 452,  
358/449, 451, 453, 1.13; 318/685, 696;  
355/81, 75; 399/405, 367, 379, 380;  
382/217; 715/209, 222, 226, 274;  
400/613, 613.1-613.4, 690.1-690.4,  
400/691-694  
See application file for complete search history.

- (56) **References Cited**  
**U.S. PATENT DOCUMENTS**  
D216,016 S \* 11/1969 Waligorski ..... D14/421  
3,571,957 A \* 3/1971 Cumming et al. .... 283/70  
3,805,238 A \* 4/1974 Rothfjell ..... 382/118  
D287,497 S \* 12/1986 Goodner et al. .... D18/55  
D291,095 S \* 7/1987 Morozumi et al. .... D18/55  
D293,245 S \* 12/1987 Hujimori et al. .... D18/55  
D293,247 S \* 12/1987 Nakade ..... D18/55

- D294,357 S \* 2/1988 Klein et al. .... D18/55
- D301,485 S \* 6/1989 Kato et al. .... D18/55
- D303,979 S \* 10/1989 Kato et al. .... D18/55
- D303,987 S \* 10/1989 Kato et al. .... D18/55
- D308,695 S \* 6/1990 Eto et al. .... D18/55
- D315,361 S \* 3/1991 Kojima et al. .... D18/55
- D321,532 S \* 11/1991 Doyle et al. .... D18/55
- D322,274 S \* 12/1991 Tokuda et al. .... D18/54
- D325,216 S \* 4/1992 Girard ..... D18/55
- D325,744 S \* 4/1992 Tokuda ..... D18/55
- D326,109 S \* 5/1992 Tokuda ..... D18/55
- D326,110 S \* 5/1992 Tashiro et al. .... D18/55
- D326,867 S \* 6/1992 Kwak ..... D18/55
- D329,870 S \* 9/1992 Hanasaki et al. .... D18/55
- D330,723 S \* 11/1992 Mitsushima et al. .... D18/55
- D331,069 S \* 11/1992 Hanasaki et al. .... D18/55
- D333,316 S \* 2/1993 Ishizawa ..... D18/55
- D338,229 S \* 8/1993 Tashiro et al. .... D18/55
- D338,488 S \* 8/1993 Itoh et al. .... D18/55
- D340,258 S \* 10/1993 Asakura et al. .... D18/55

(Continued)

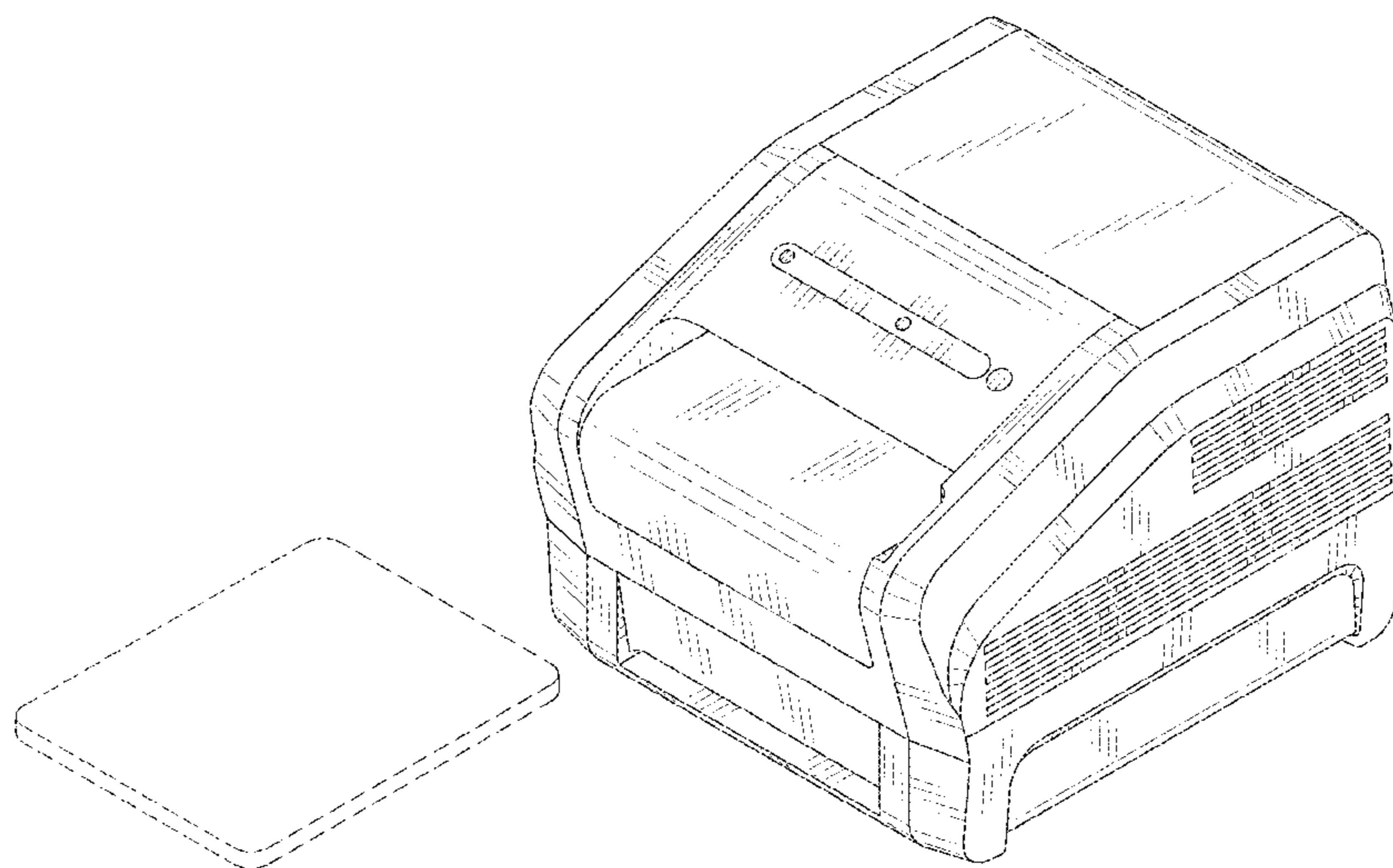
*Primary Examiner* — Susan Moon Lee  
(74) *Attorney, Agent, or Firm* — Sughrue Mion, PLLC

(57) **CLAIM**  
The ornamental design for an industrial image reader, as shown and described.

**DESCRIPTION**

FIG. 1 is a top, front and side perspective view of an industrial image reader showing my new design;  
FIG. 2 is a front elevational view thereof;  
FIG. 3 is a rear elevational view thereof;  
FIG. 4 is a top plan view thereof;  
FIG. 5 is a bottom plan view thereof;  
FIG. 6 is a left side elevational view thereof;  
FIG. 7 is a right side elevational view thereof; and,  
FIG. 8 is a top, front and side perspective view thereof and a cassette to be inserted into the industrial image reader.  
Broken lines and portions contained within broken line are not claimed.

**1 Claim, 8 Drawing Sheets**



(56)

References Cited

U.S. PATENT DOCUMENTS

D340,741 S *	10/1993	Yonezawa et al.	D18/55	D530,361 S *	10/2006	Chambers	D18/50
D343,194 S *	1/1994	Tashiro et al.	D18/55	D532,038 S *	11/2006	Hutchinson	D18/50
D343,414 S *	1/1994	Tokuda et al.	D18/55	D533,586 S *	12/2006	Nakamura et al.	D18/55
D346,820 S *	5/1994	Etou et al.	D18/55	D534,209 S *	12/2006	Yamaguchi	D18/55
D350,981 S *	9/1994	Matsuda	D18/55	D535,325 S *	1/2007	Yamaguchi	D18/55
D351,189 S *	10/1994	Yamaguchi et al.	D18/55	D541,280 S *	4/2007	Hasegawa et al.	D14/421
D355,209 S *	2/1995	Ito	D18/55	D544,906 S *	6/2007	Alfonso et al.	D18/55
D355,927 S *	2/1995	Chiba	D18/55	D545,892 S *	7/2007	Wang	D18/50
D356,818 S *	3/1995	Sekine et al.	D18/55	D552,096 S *	10/2007	Sugitani et al.	D14/421
D358,837 S *	5/1995	De Iuliis	D18/55	D555,722 S *	11/2007	Bae et al.	D18/55
D359,506 S *	6/1995	Lee	D18/55	D558,266 S *	12/2007	Falk	D18/55
D363,506 S *	10/1995	Inukai	D18/55	D571,371 S *	6/2008	Kuroda et al.	D14/422
D367,881 S *	3/1996	Smith	D18/55	D571,474 S *	6/2008	Sjo-Gaber et al.	D24/186
D369,825 S *	5/1996	Yatabe et al.	D18/50	7,431,447 B2 *	10/2008	Jensen	347/108
D376,384 S *	12/1996	Woei-Fang	D18/55	D584,347 S *	1/2009	Hong et al.	D18/55
D377,370 S *	1/1997	Escobedo et al.	D18/55	D593,149 S *	5/2009	Park et al.	D18/55
D378,598 S *	3/1997	Chiba et al.	D18/55	D600,277 S *	9/2009	Hisatsune	D18/55
D379,196 S *	5/1997	Laidlaw	D18/55	D607,927 S *	1/2010	Kim et al.	D18/55
D382,582 S *	8/1997	Igarashi et al.	D18/55	D608,821 S *	1/2010	Tomono et al.	D18/50
D384,694 S *	10/1997	Kobayashi et al.	D18/55	D612,276 S *	3/2010	Duffy et al.	D10/81
D388,455 S *	12/1997	Tanabe	D18/55	D621,404 S *	8/2010	Sugitani et al.	D14/421
D389,861 S *	1/1998	Kobayashi et al.	D18/55	D631,050 S *	1/2011	Iilffe-Moon et al.	D14/422
D391,288 S *	2/1998	Miyamoto	D18/55	D632,295 S *	2/2011	Kuroda	D14/422
D391,603 S *	3/1998	Ikenaga	D18/50	D633,139 S *	2/2011	Park et al.	D18/55
D401,271 S *	11/1998	Nakajima	D18/55	D634,359 S *	3/2011	Park et al.	D18/55
D403,350 S *	12/1998	Chambers et al.	D18/55	D636,943 S *	4/2011	Pilz	D30/122
D419,591 S *	1/2000	Pangburn	D18/55	D638,545 S *	5/2011	Okawa et al.	D24/186
D421,455 S *	3/2000	Kobayashi et al.	D18/54	D641,396 S *	7/2011	Park et al.	D18/55
D446,306 S *	8/2001	Ochi et al.	D24/186	D641,399 S *	7/2011	Penke et al.	D18/55
D480,725 S *	10/2003	Funato	D14/383	D642,179 S *	7/2011	Kuroda et al.	D14/422
D517,554 S *	3/2006	Yanagisawa et al.	D14/421	D643,874 S *	8/2011	Kim et al.	D18/55
D520,055 S *	5/2006	Katayama	D18/55	D662,131 S *	6/2012	Leman et al.	D18/55
D521,060 S *	5/2006	Katayama	D18/55	D669,080 S *	10/2012	Iwai et al.	D14/422
D521,546 S *	5/2006	Katayama	D18/55	D670,809 S *	11/2012	Senda	D24/158
D522,046 S *	5/2006	Iritani et al.	D18/55	D672,388 S *	12/2012	Kim et al.	D18/50
D523,071 S *	6/2006	Katayama et al.	D18/50	D677,328 S *	3/2013	Kim et al.	D18/50
D525,294 S *	7/2006	Katayama et al.	D18/54	D685,412 S *	7/2013	Jihoon et al.	D18/50
				D689,864 S *	9/2013	Vaughan et al.	D14/421

\* cited by examiner

FIG. 1

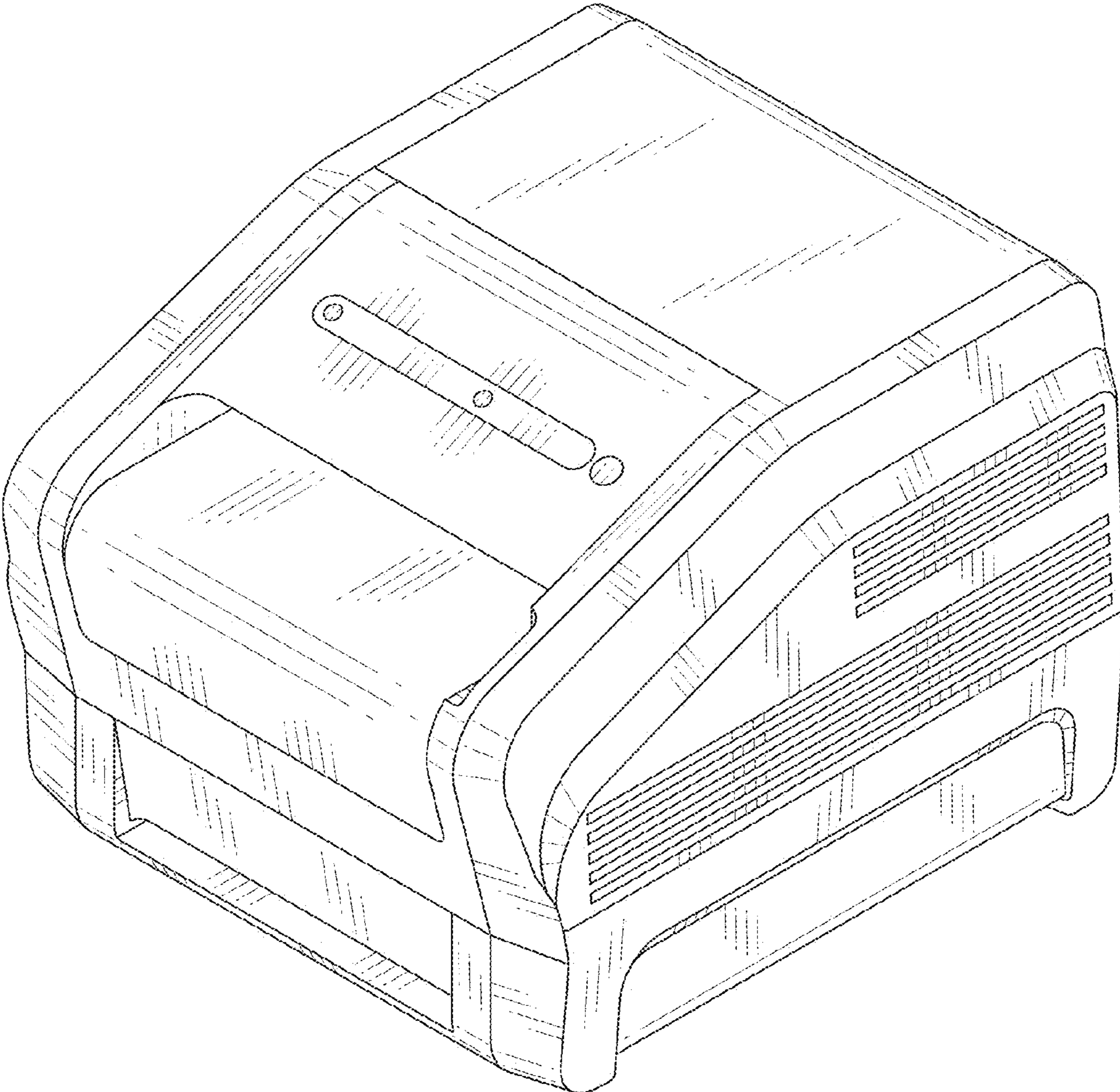


FIG. 2

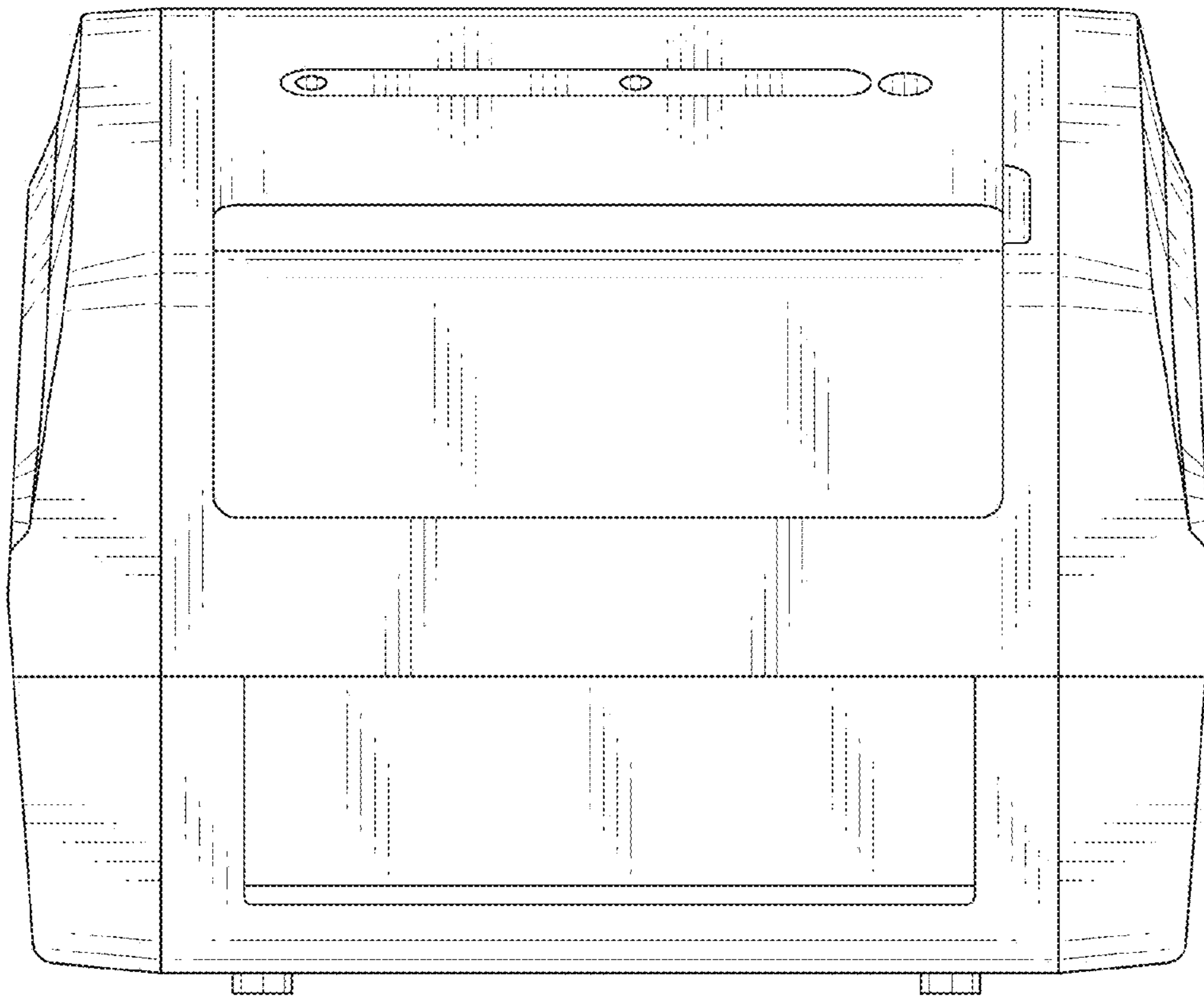


FIG. 3

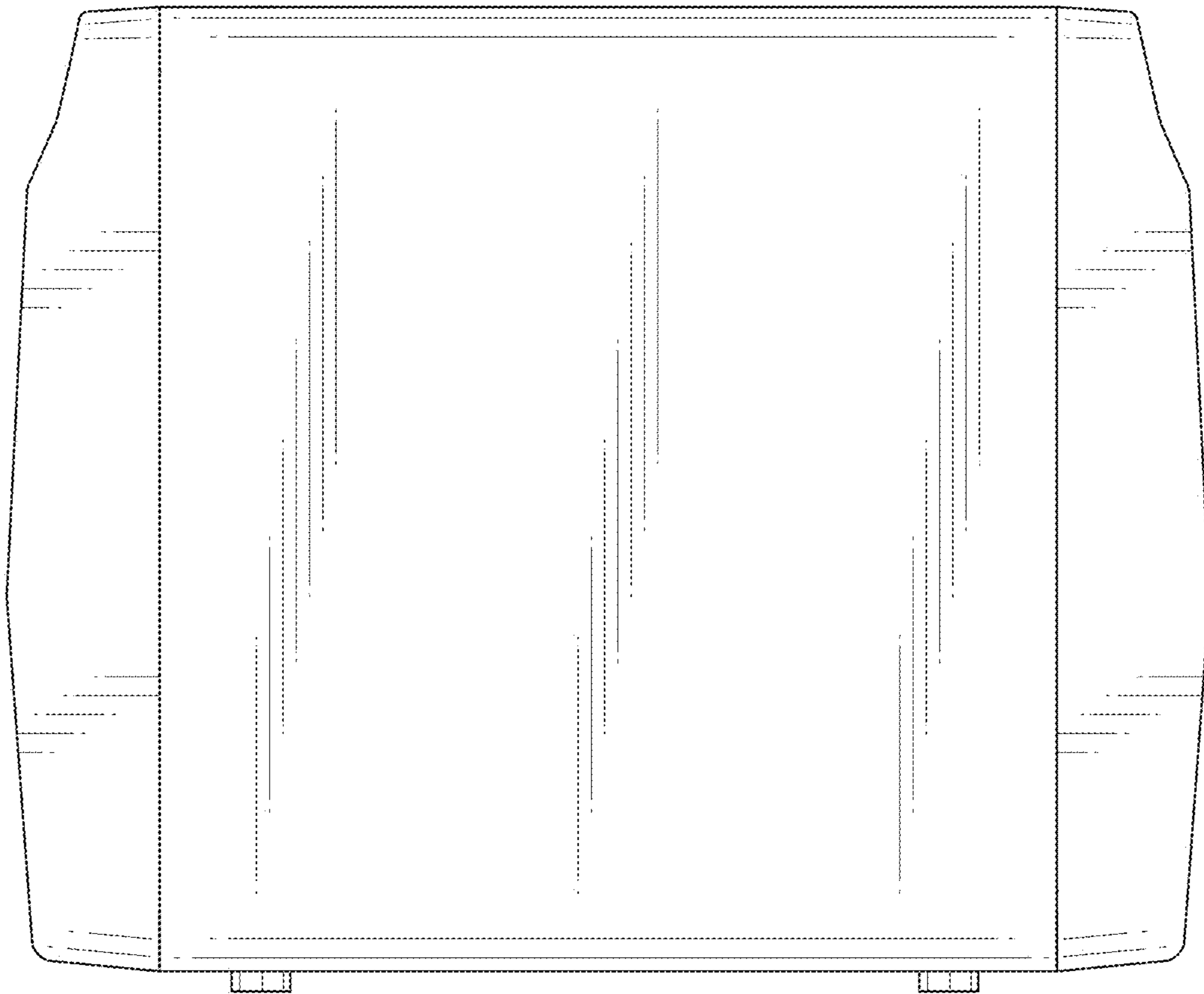


FIG. 4

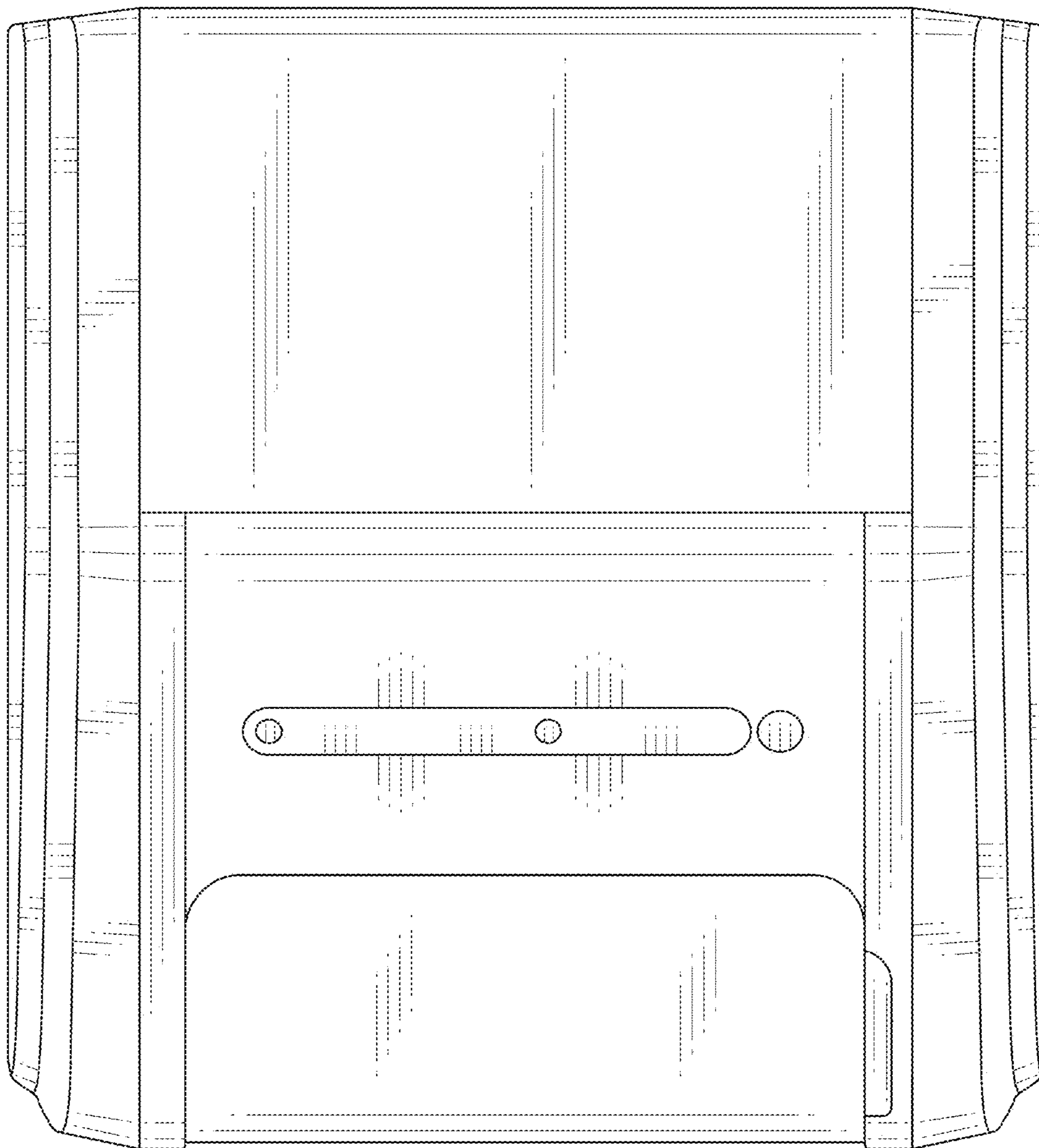


FIG. 5

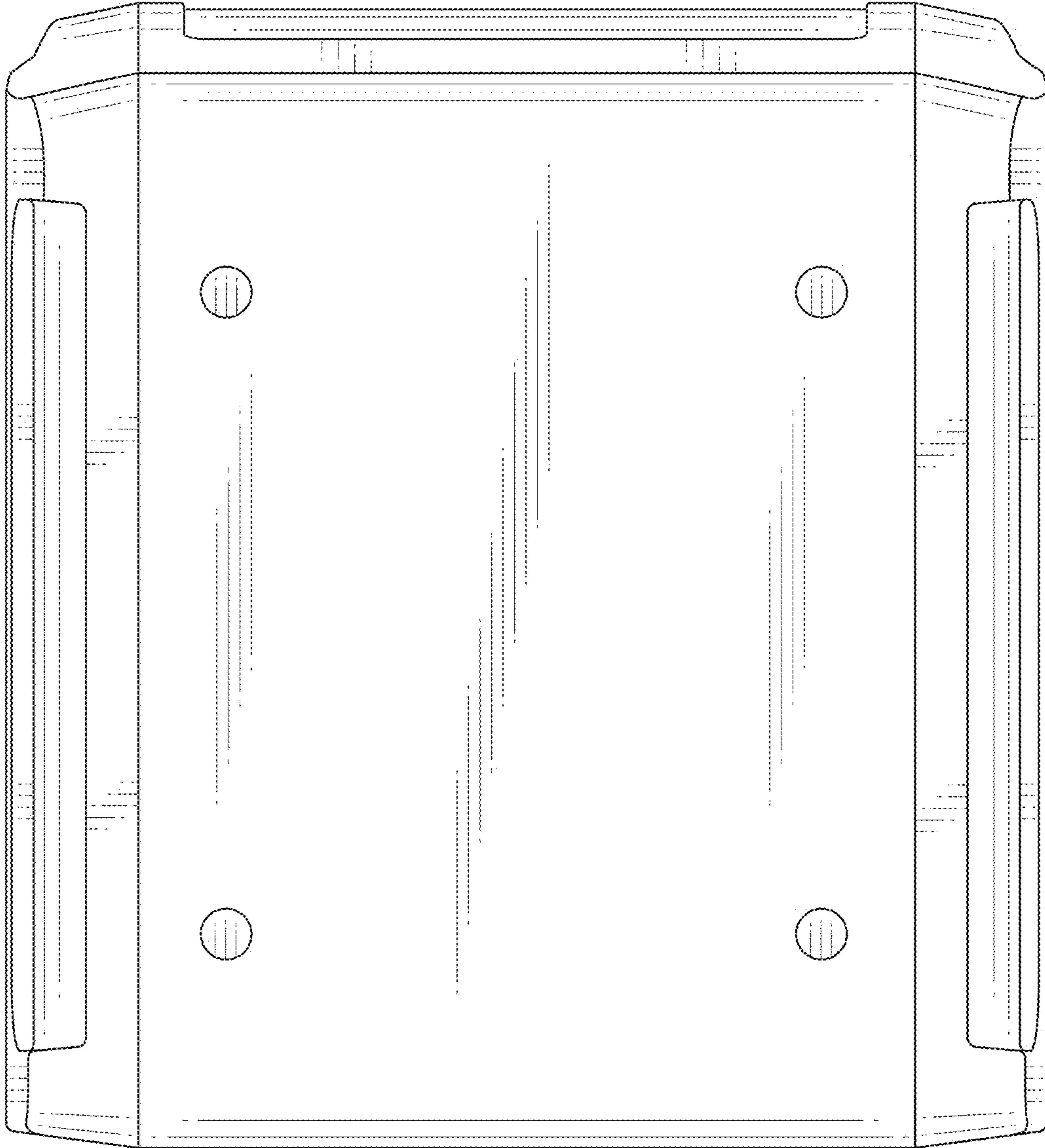


FIG. 6

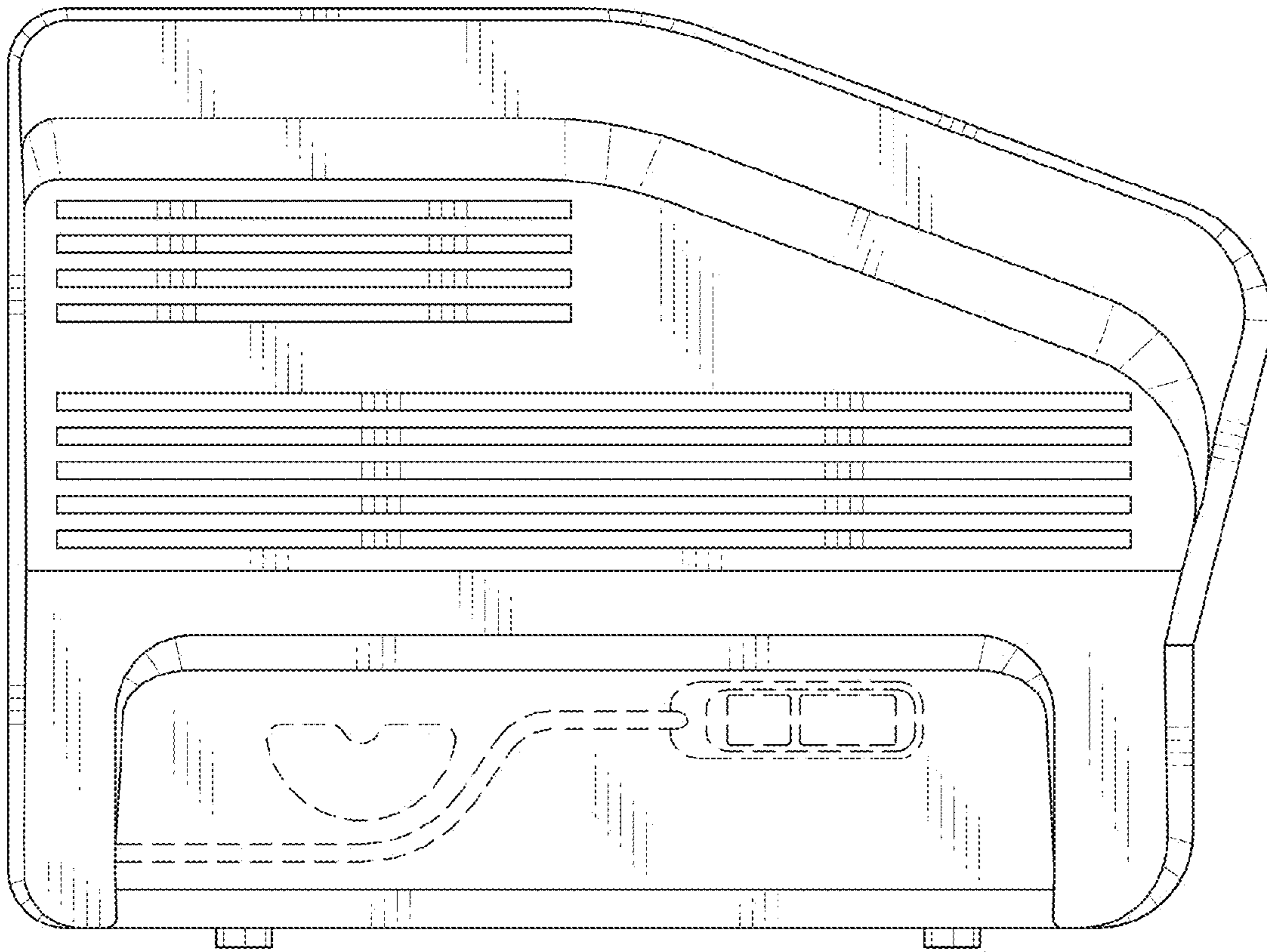




FIG. 7

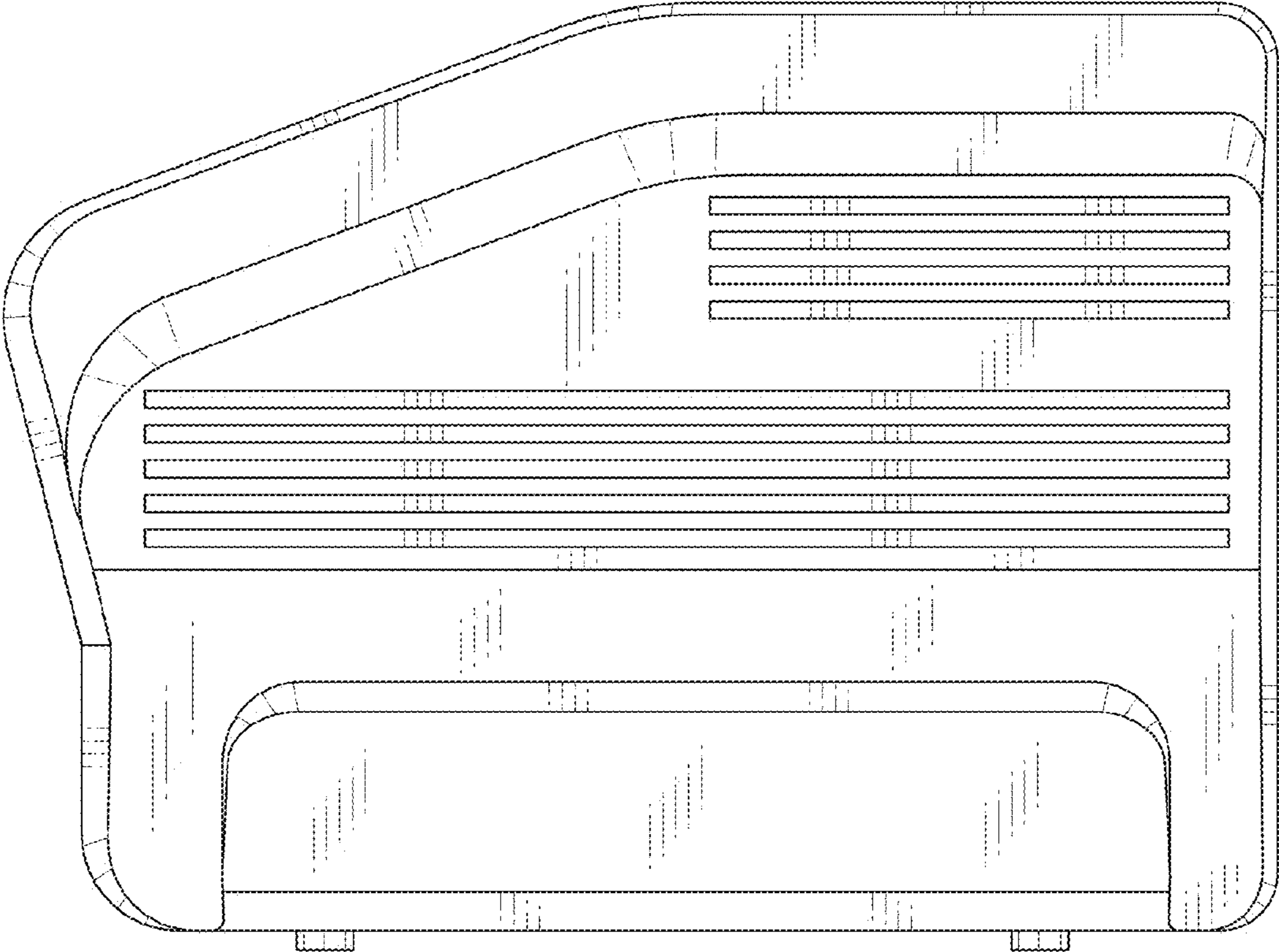


FIG. 8

