



US00D699723S

(12) **United States Design Patent**
Nishizawa

(10) **Patent No.:** **US D699,723 S**
(45) **Date of Patent:** **** Feb. 18, 2014**

(54) **COORDINATE INPUT INSTRUMENT**

(71) Applicant: **Wacom Co., Ltd.**, Kazo (JP)
(72) Inventor: **Naoya Nishizawa**, Tokyo (JP)
(73) Assignee: **Wacom Co., Ltd.**, Kazo-shi (JP)
(**) Term: **14 Years**

(21) Appl. No.: **29/464,522**

(22) Filed: **Aug. 16, 2013**

(30) **Foreign Application Priority Data**

Feb. 26, 2013 (JP) 2013-003895

(51) **LOC (10) Cl.** **14-02**

(52) **U.S. Cl.**
USPC **D14/411**

(58) **Field of Classification Search**
USPC D8/61; D14/411; D19/35, 36, 41-51,
D19/54-58; 401/55, 99, 100, 104-107, 196,
401/197, 202, 208, 209, 213, 192, 195,
401/243; 708/107; 345/179, 173;
178/19.01; 700/94
See application file for complete search history.

(56) **References Cited**

U.S. PATENT DOCUMENTS

| | | | | |
|--------------|---------|--------------|-------|---------|
| D417,206 S * | 11/1999 | Hirota | | D14/411 |
| D508,077 S * | 8/2005 | Bhavnani | | D19/36 |
| D527,050 S * | 8/2006 | Hirota | | D19/51 |
| D602,527 S * | 10/2009 | Heck et al. | | D19/51 |
| D614,622 S * | 4/2010 | Nakata | | D14/411 |
| D614,623 S * | 4/2010 | Crisp et al. | | D14/411 |
| D617,327 S * | 6/2010 | Crisp | | D14/411 |
| D617,328 S * | 6/2010 | Nakata | | D14/411 |
| D634,747 S * | 3/2011 | Wong et al. | | D14/411 |
| D647,562 S * | 10/2011 | Chu | | D19/48 |

(Continued)

FOREIGN PATENT DOCUMENTS

JP D1475956 S 8/2013

OTHER PUBLICATIONS

“Projector” Easy Interactive Pen, Model EB-460T, product image, Seiko Epson Corporation, Japan, Apr. 26, 2010, <<http://www.epson.jp/products/offirio/emp/eb460t/feature.htm>>, 1 page.

Primary Examiner — Austin Murphy

(74) *Attorney, Agent, or Firm* — Christensen O’Connor Johnson Kindness PLLC

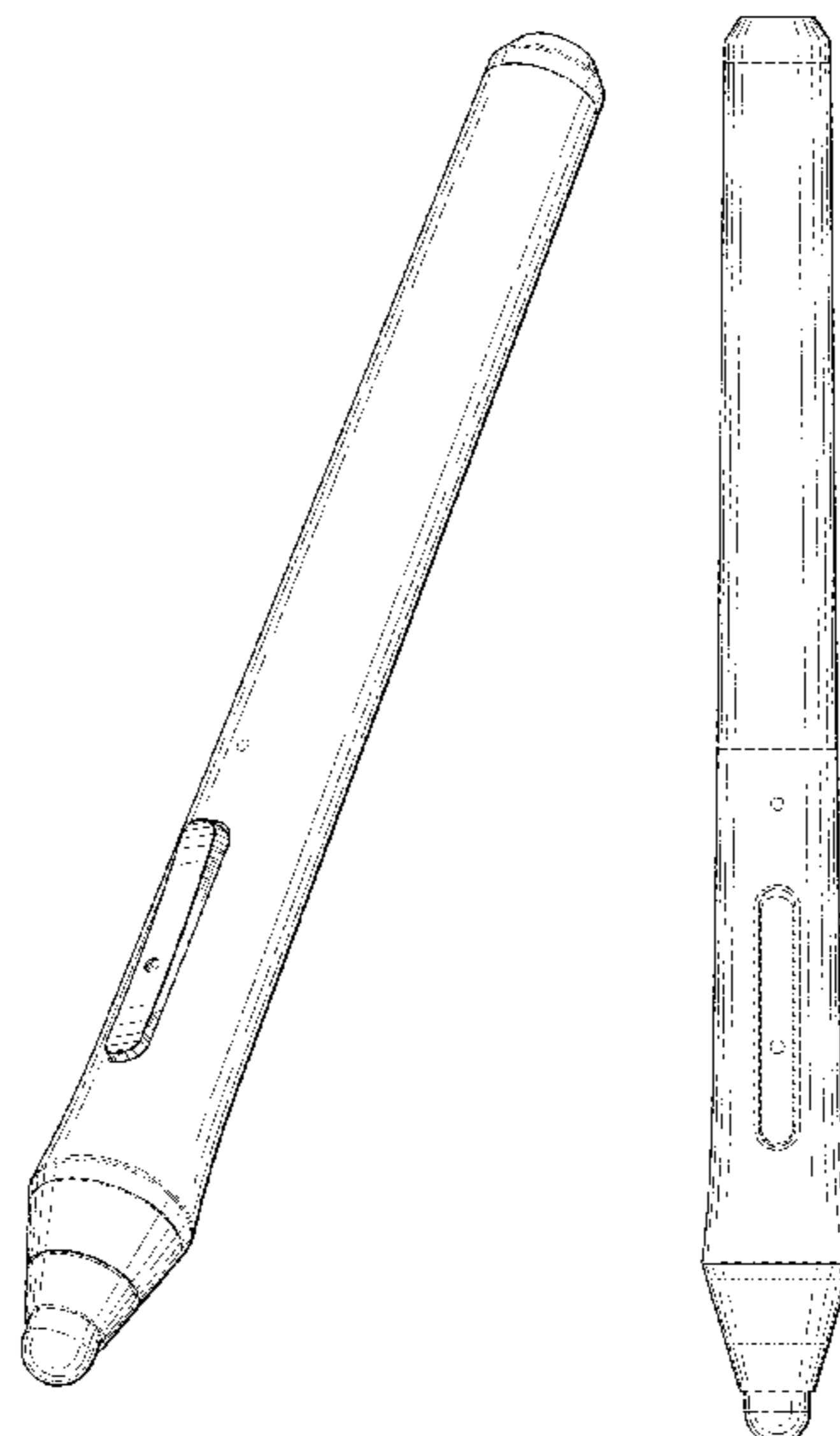
(57) **CLAIM**

The ornamental design for a coordinate input instrument, as shown and described.

DESCRIPTION

FIG. 1 is a bottom front right perspective view of a coordinate input instrument showing my new design;
FIG. 2 is a front elevation view thereof;
FIG. 3 is a right side elevation view thereof, wherein the left side elevation view is a mirror image of the right side elevation view;
FIG. 4 is a rear elevation view thereof;
FIG. 5 is a top plan view thereof;
FIG. 6 is a bottom plan view thereof;
FIG. 7 is a bottom front right perspective view of an alternative embodiment of the coordinate input instrument shown in FIG. 1;
FIG. 8 is a front elevation view thereof;
FIG. 9 is a right side elevation view thereof, wherein the left side elevation view is a mirror image of the right side elevation view;
FIG. 10 is a rear elevation view thereof;
FIG. 11 is a top plan view thereof; and,
FIG. 12 is a bottom plan view thereof.
The broken lines shown in FIGS. 7-12 illustrate environmental subject matter and form no part of the claimed design.

1 Claim, 6 Drawing Sheets



US D699,723 S

Page 2

(56)

References Cited

U.S. PATENT DOCUMENTS

| | | | |
|--------------|---------|-----------------------|---------|
| D670,700 S * | 11/2012 | Halsinger et al. | D14/411 |
| D682,833 S * | 5/2013 | Paschke et al. | D14/411 |
| D688,666 S * | 8/2013 | Kowari et al. | D14/411 |
| D669,898 S * | 10/2012 | Nakata | D14/411 |

* cited by examiner

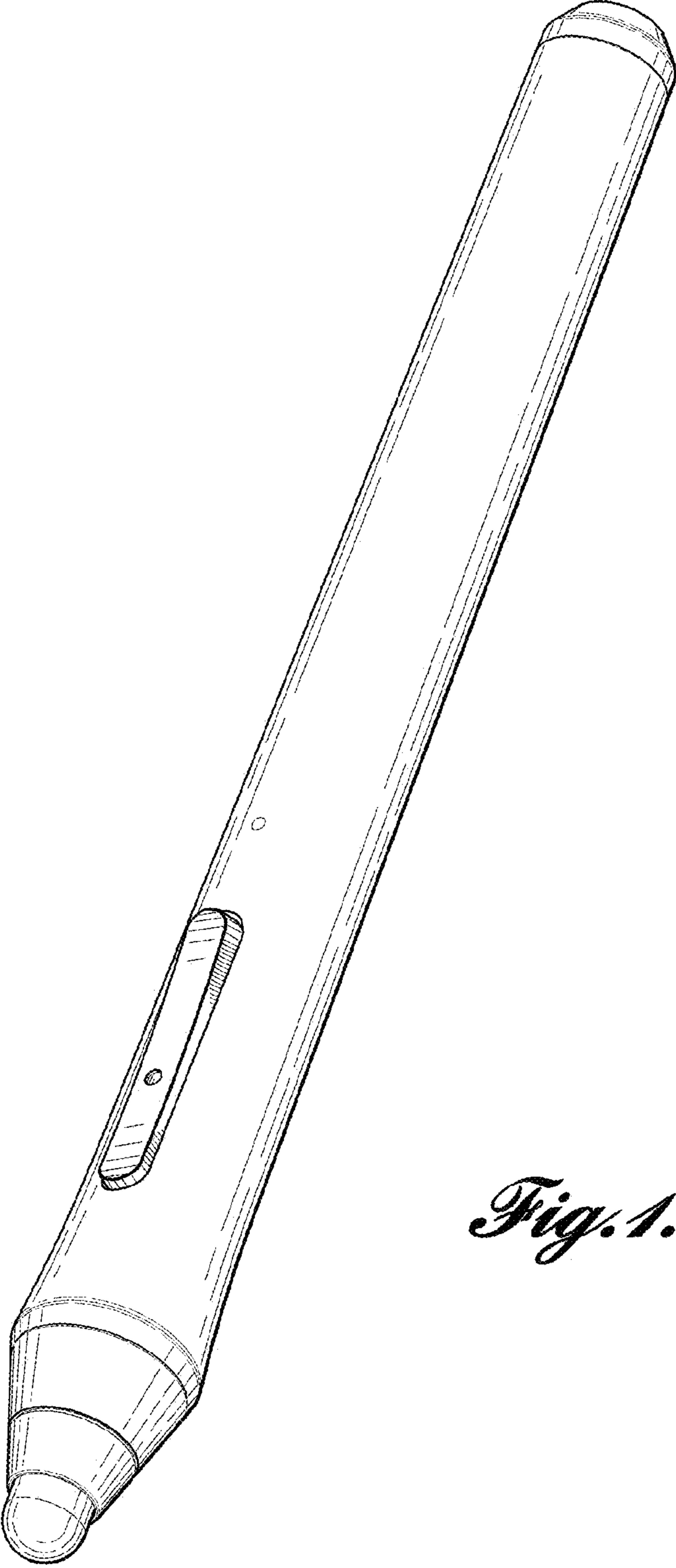


Fig. 1.

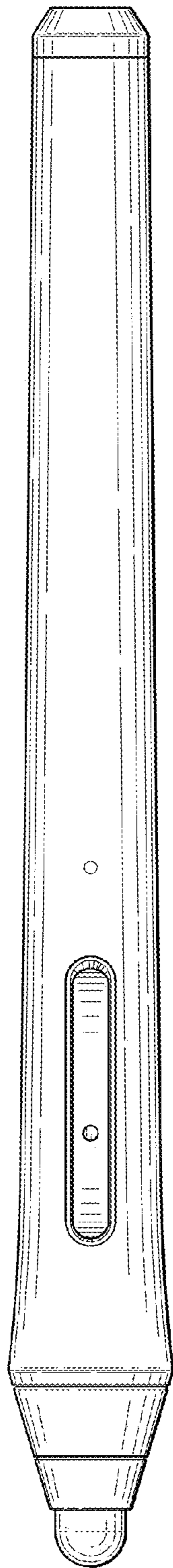


Fig. 2.

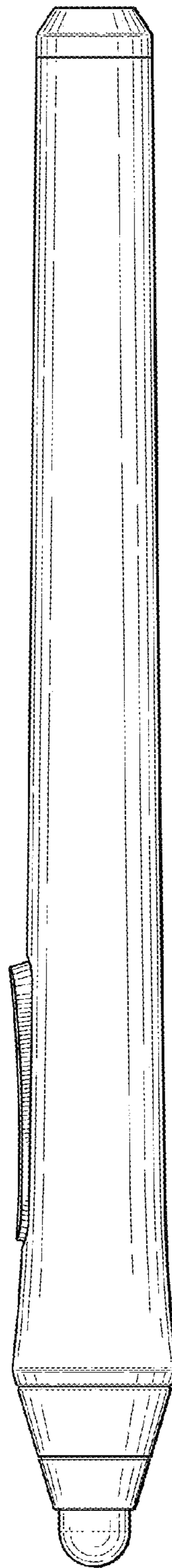


Fig. 3.

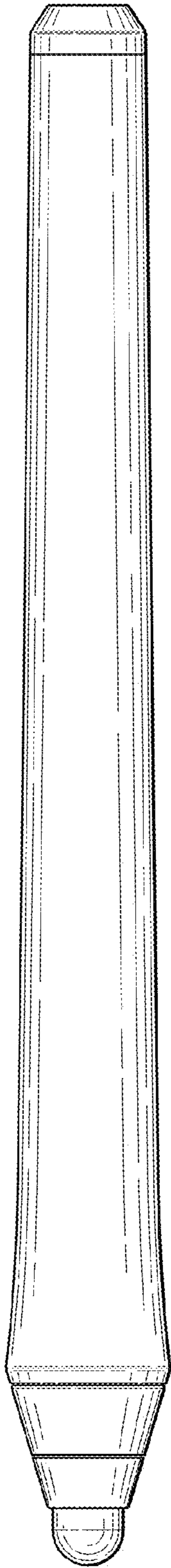


Fig. 4.

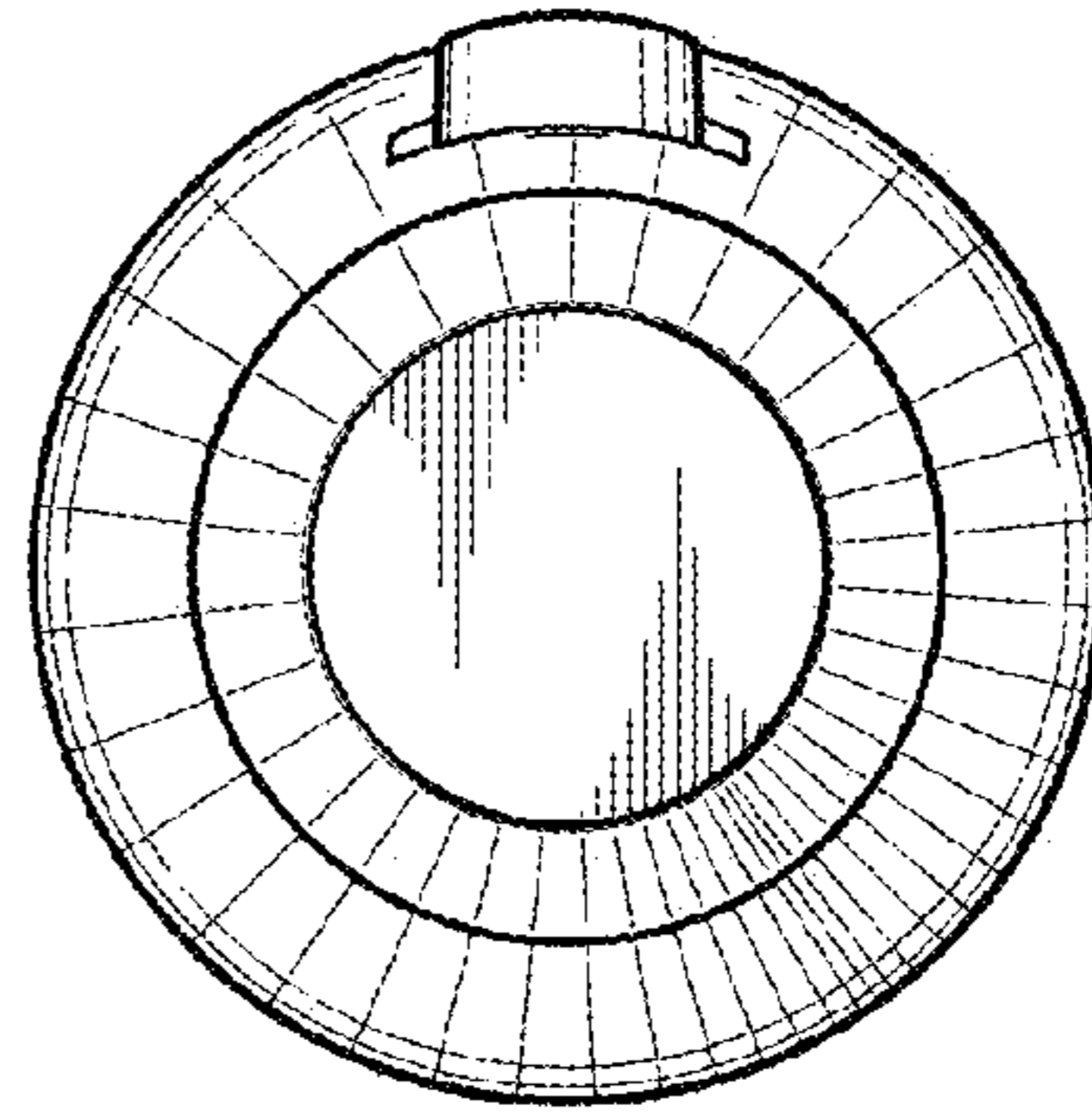


Fig. 5.

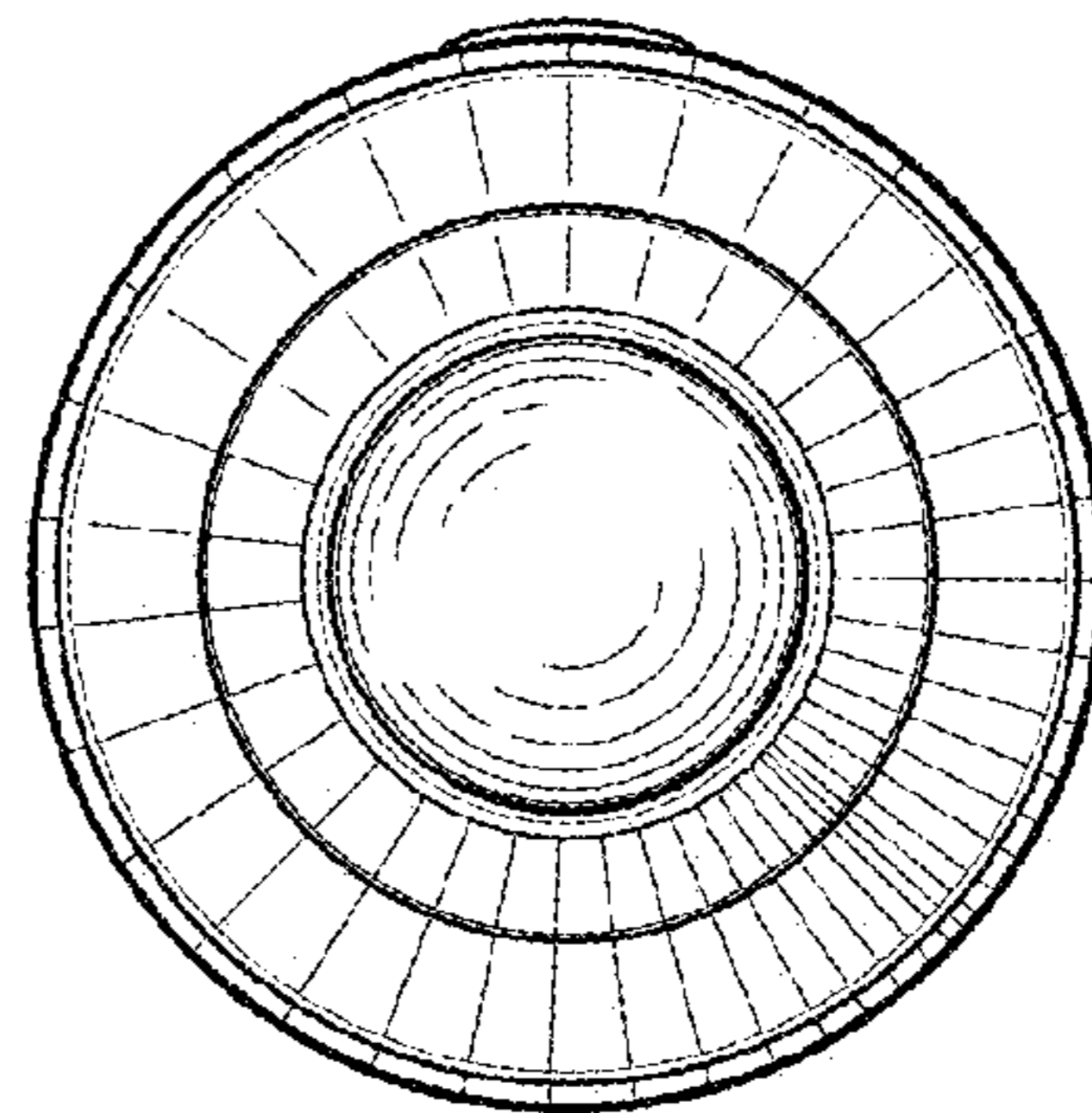


Fig. 6.

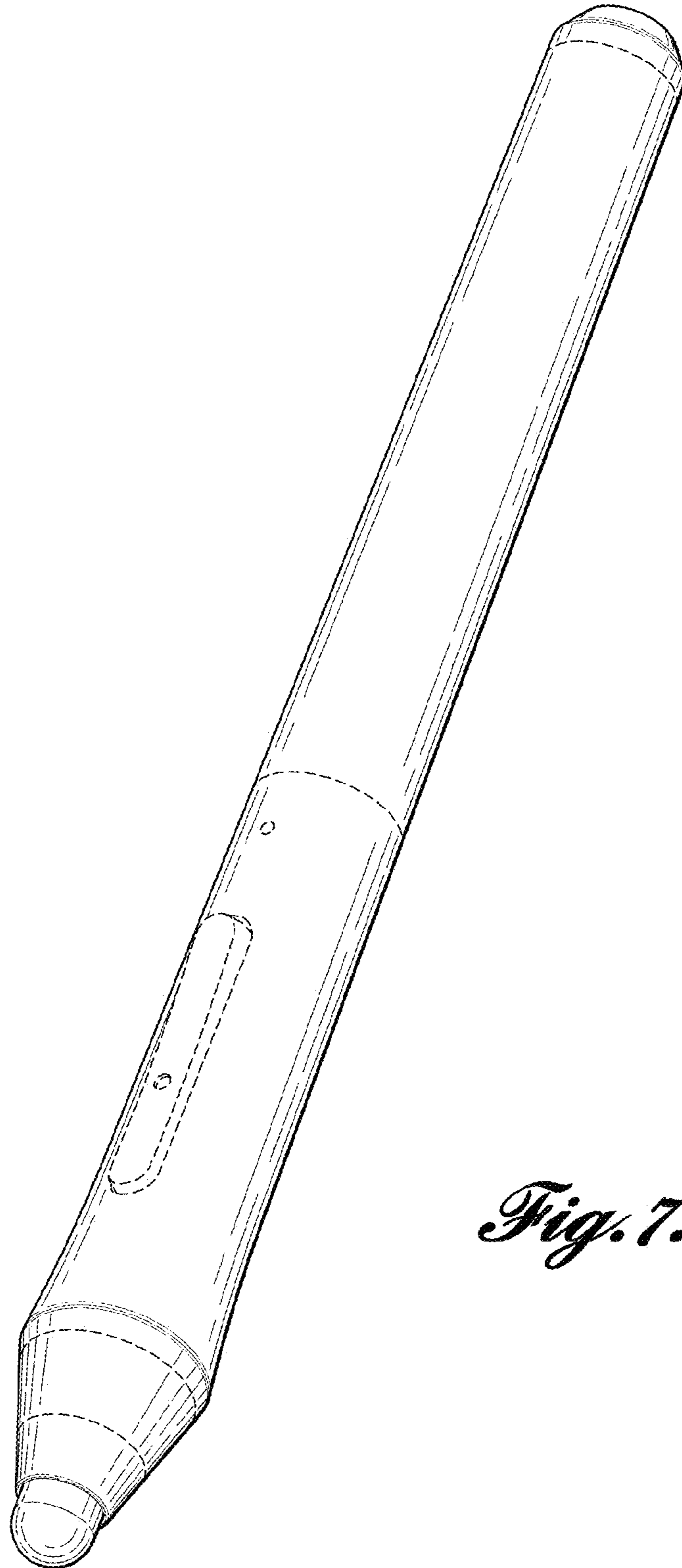


Fig. 7.

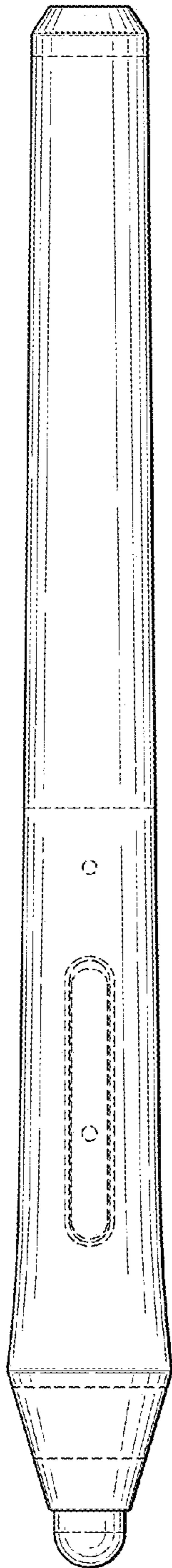


Fig. 8.

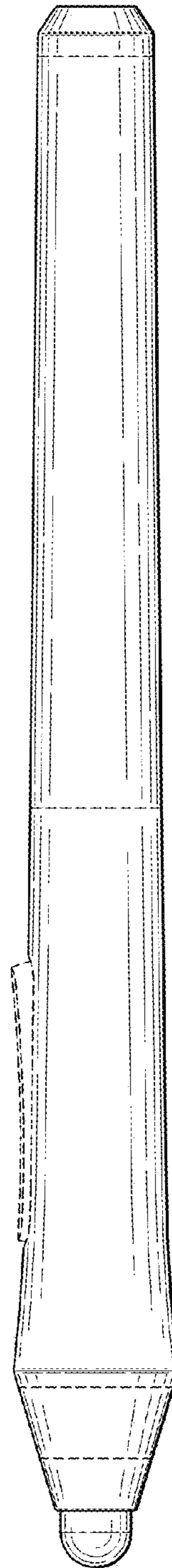


Fig. 9.

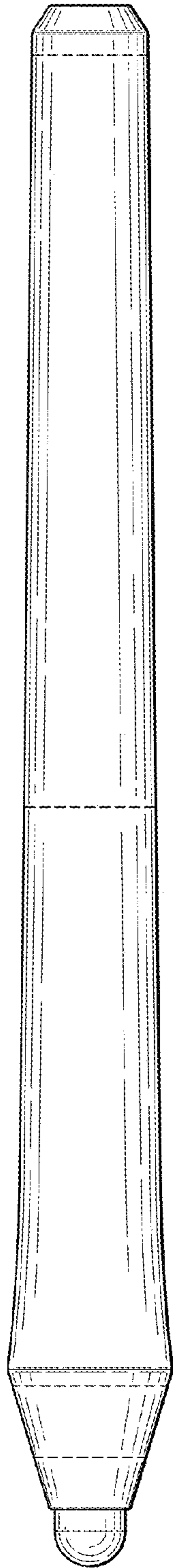


Fig. 10.

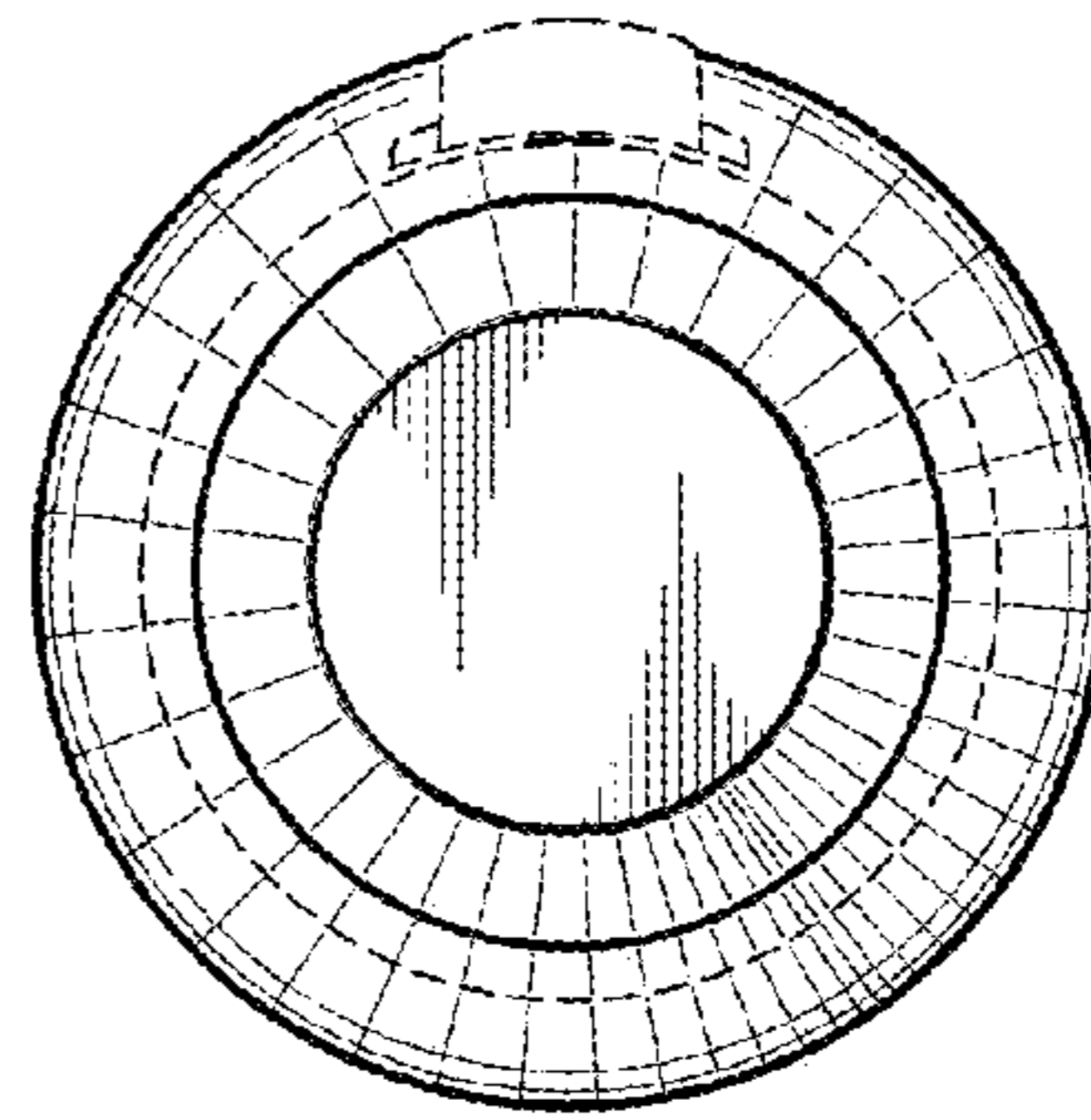


Fig. 11.

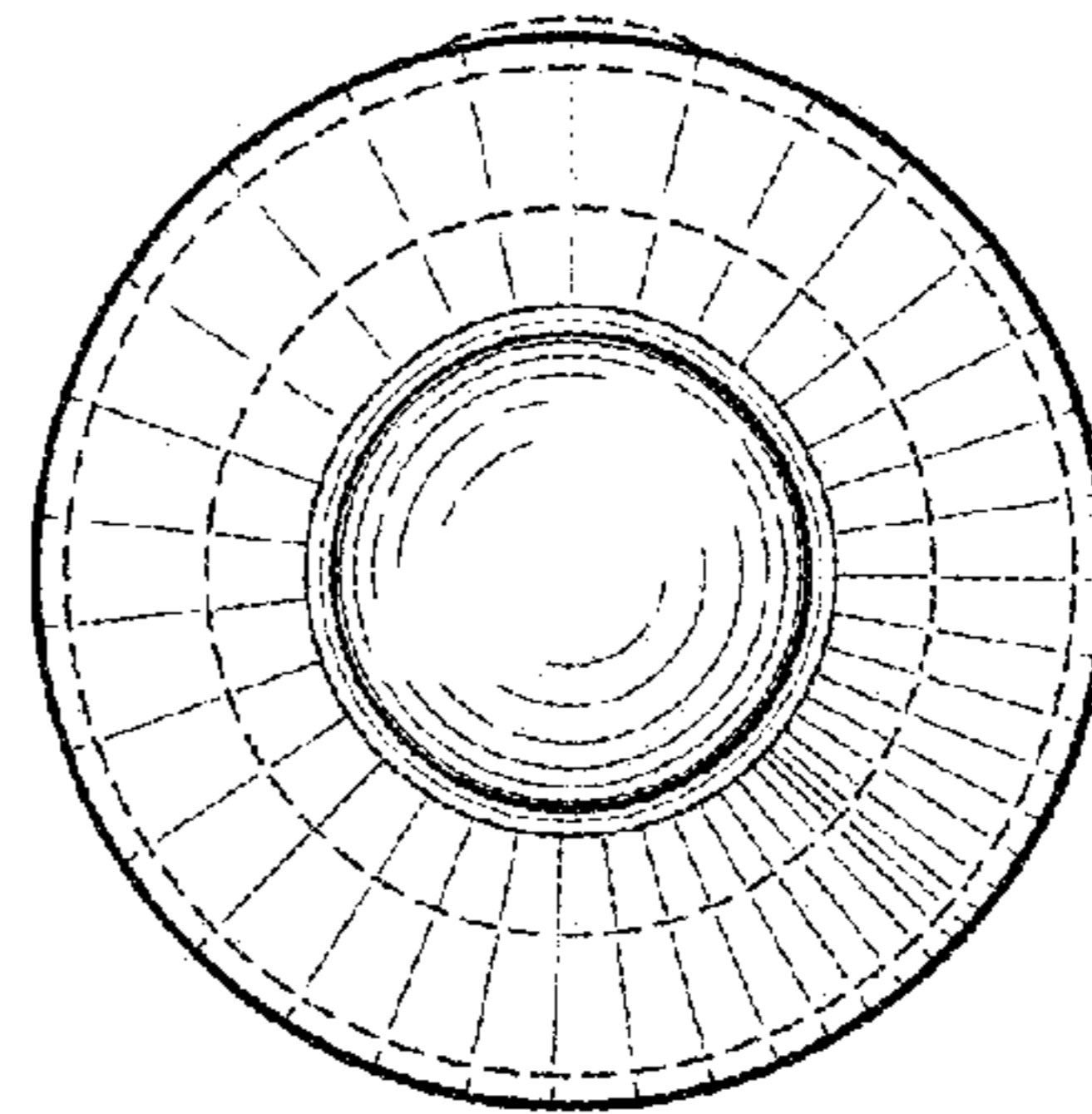


Fig. 12.