



US00D699713S

(12) **United States Design Patent**
Seong

(10) **Patent No.:** **US D699,713 S**

(45) **Date of Patent:** **** Feb. 18, 2014**

(54) **TELEVISION STAND**

(71) Applicant: **Samsung Electronics Co., Ltd.**,
Suwon-si (KR)

(72) Inventor: **Bo-Kyung Seong**, Seoul (KR)

(73) Assignee: **Samsung Electronics Co., Ltd.**,
Suwon-si (KR)

(**) Term: **14 Years**

(21) Appl. No.: **29/450,394**

(22) Filed: **Mar. 18, 2013**

(30) **Foreign Application Priority Data**

Oct. 23, 2012 (KR) 30-2012-0050313

(51) **LOC (10) Cl.** **14-03**

(52) **U.S. Cl.**
USPC **D14/239**

(58) **Field of Classification Search**

USPC D14/371-38, 125-129, 336, 337, 448,
D14/451, 452, 492, 211, 238, 251, 253, 352,
D14/447, 450, 239; 341/12; 345/104, 156,
345/168, 173; 348/180, 184, 325, 739;
349/1, 2, 11, 62; 361/679.05-679.07,
361/679.21; D6/300, 310-313, 308, 708

See application file for complete search history.

(56) **References Cited**

U.S. PATENT DOCUMENTS

D483,362 S * 12/2003 Lian et al. D14/375
D483,368 S * 12/2003 Olson et al. D14/375
D486,832 S * 2/2004 Masuda et al. D14/451
D499,907 S * 12/2004 Zarelius D6/495

D508,055 S * 8/2005 Lo D14/451
D541,766 S * 5/2007 Kita D14/126
D543,208 S * 5/2007 Kita D14/451
D550,221 S * 9/2007 Chen et al. D14/375
D552,090 S * 10/2007 Kita D14/239
D558,696 S * 1/2008 Park et al. D14/126
D589,036 S * 3/2009 Unsworth D14/239
D629,882 S * 12/2010 Nguyen D23/386
D666,029 S * 8/2012 Chen D6/495
D671,540 S * 11/2012 Yukawa et al. D14/336
D682,799 S * 5/2013 Hwang Bo et al. D14/126
2013/0070166 A1* 3/2013 Kuroda 348/739

* cited by examiner

Primary Examiner — Deanna L Pratt

Assistant Examiner — Katie Mroczka

(74) *Attorney, Agent, or Firm* — NSIP Law

(57) **CLAIM**

The ornamental design for a television stand, as shown and described.

DESCRIPTION

FIG. 1 is a front perspective view of a television stand;
FIG. 2 is a front view of the television stand of FIG. 1;
FIG. 3 is a rear view of the television stand of FIG. 1;
FIG. 4 is a left-side view of the television stand of FIG. 1;
FIG. 5 is a right-side view of the television stand of FIG. 1;
FIG. 6 is a top plan view of the television stand of FIG. 1;
FIG. 7 is a bottom plan view of the television stand of FIG. 1;
FIG. 8 is a rear perspective view of the television stand of FIG. 1, showing an example environment; and,
FIG. 9 is a left side view of the television stand of FIG. 1, showing an example environment.
Features shown in broken lines in FIGS. 8 and 9, form no part of the claimed design.

1 Claim, 6 Drawing Sheets

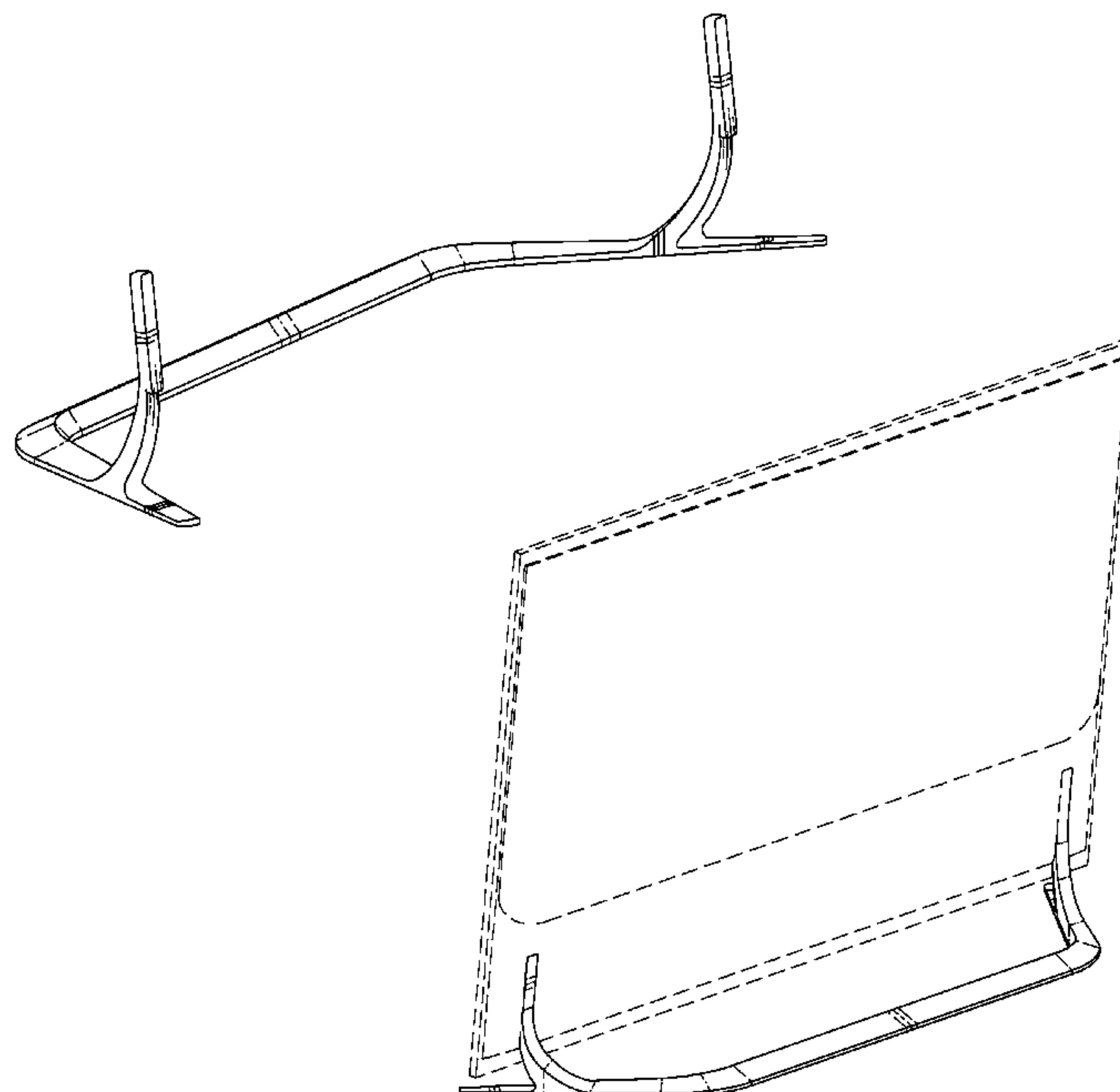


FIG. 1

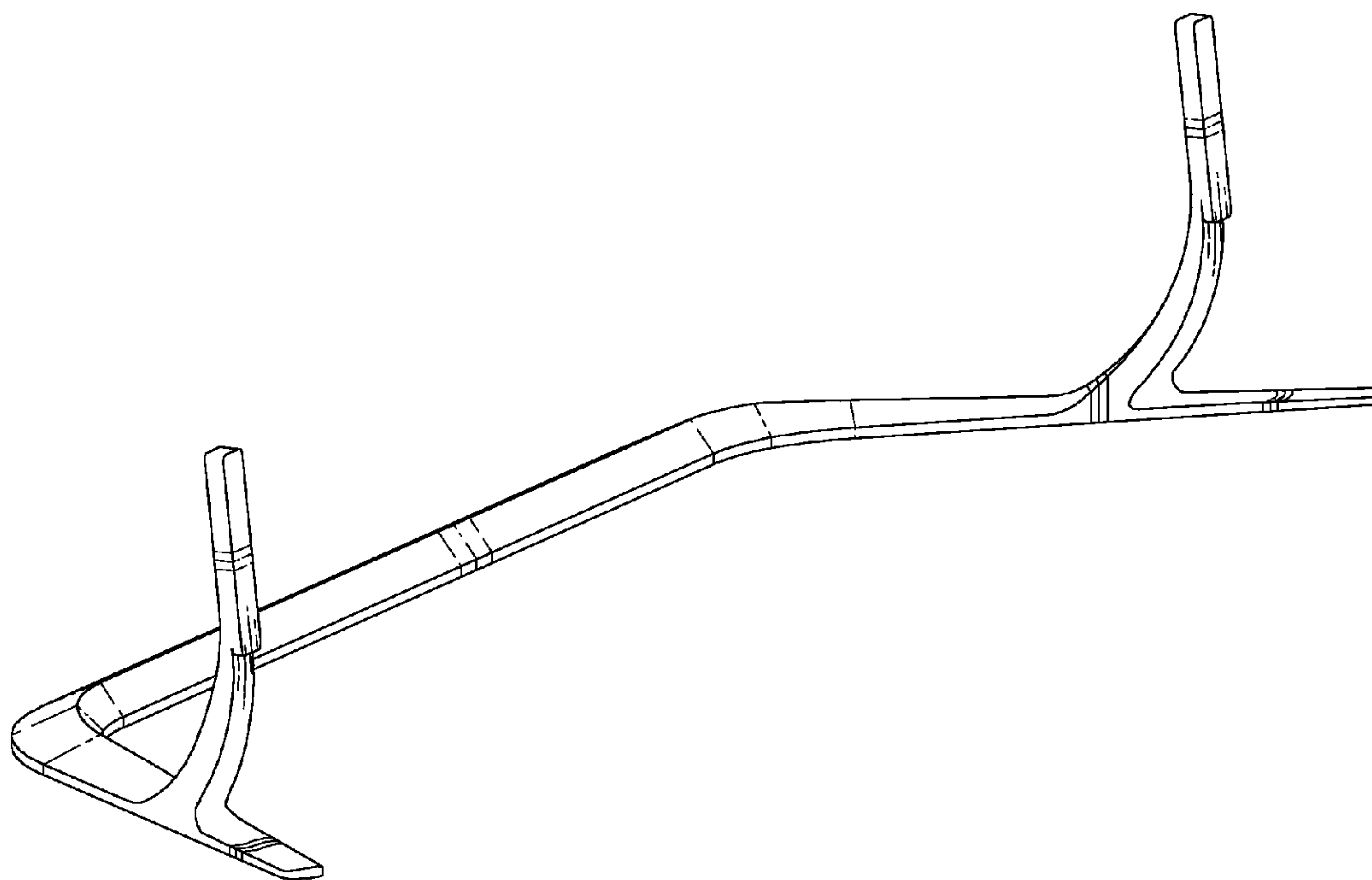


FIG. 2



FIG. 3



FIG. 4

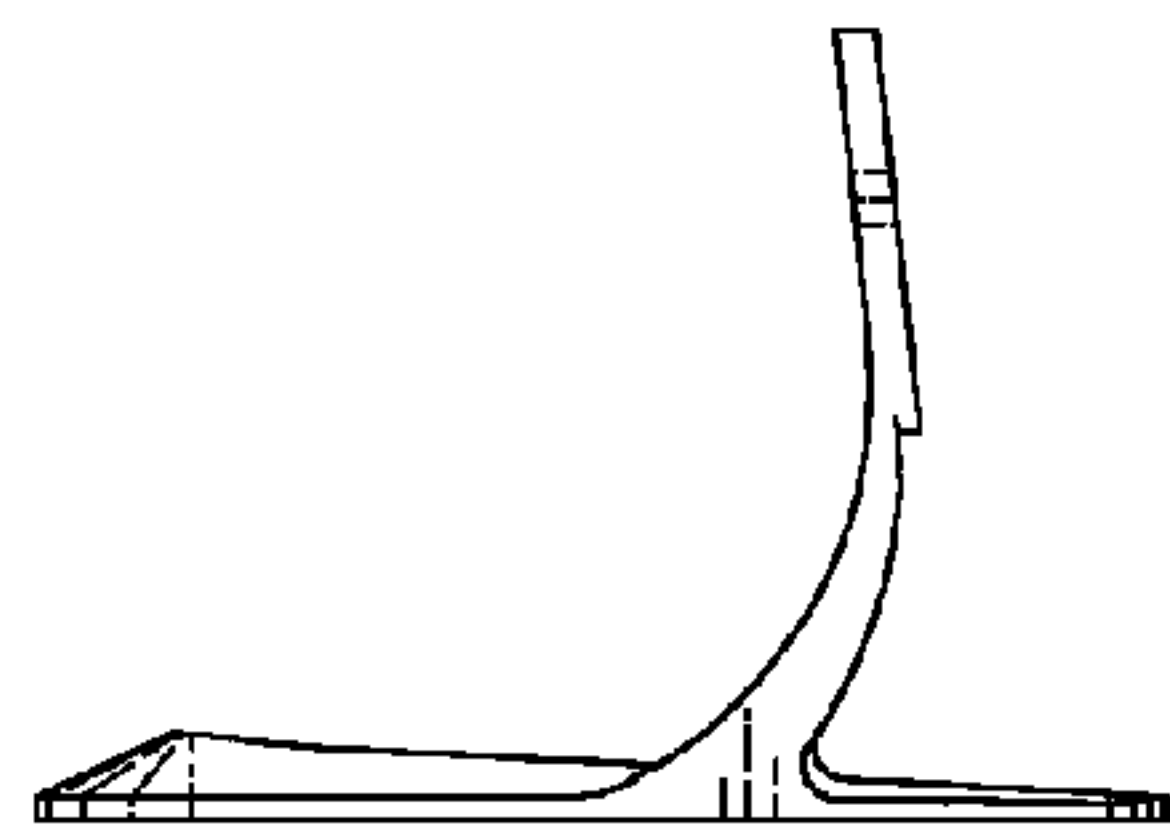


FIG. 5

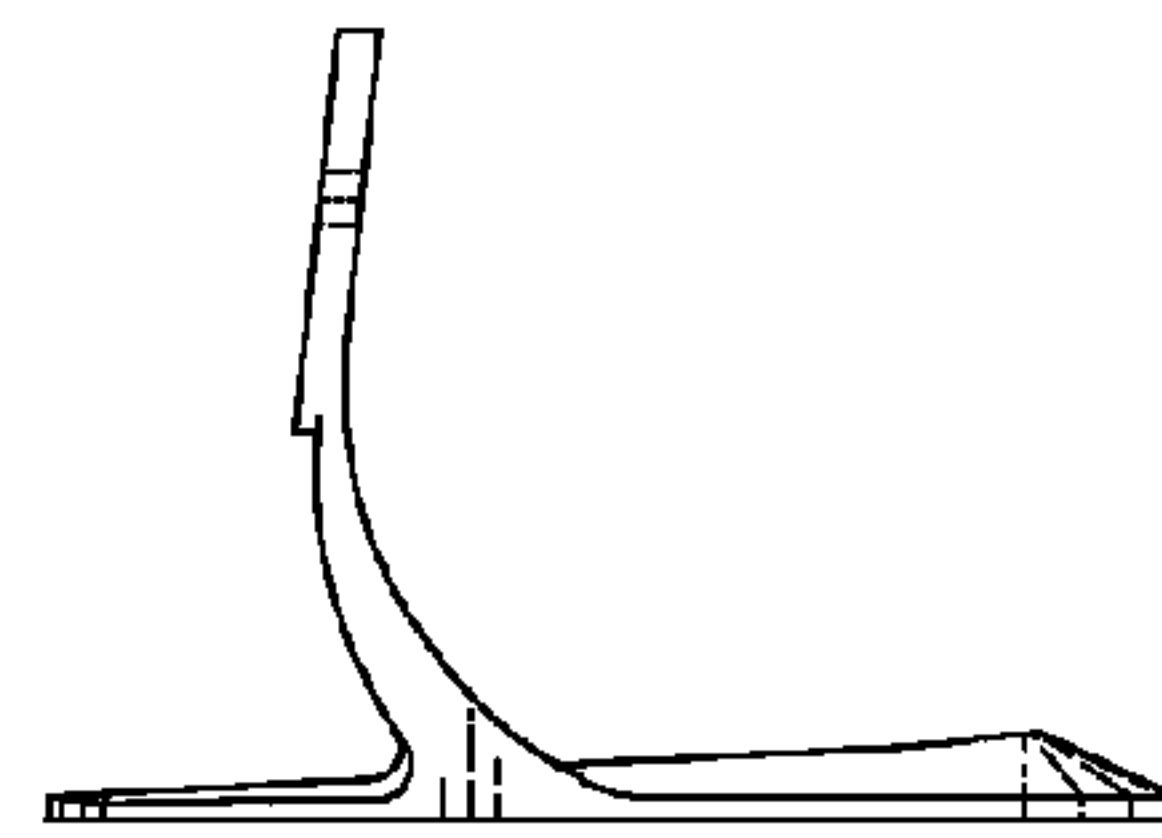


FIG. 6

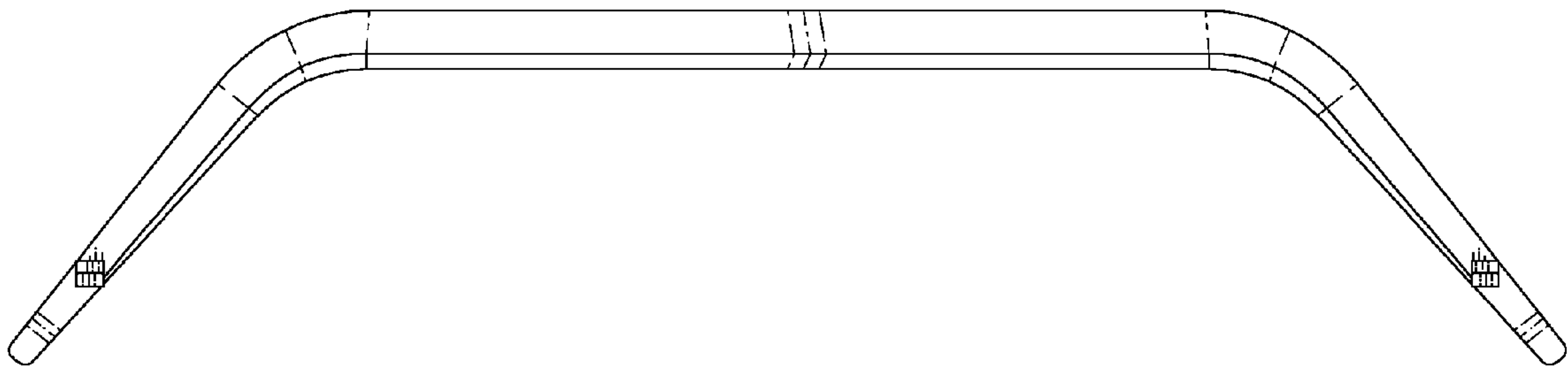


FIG. 7

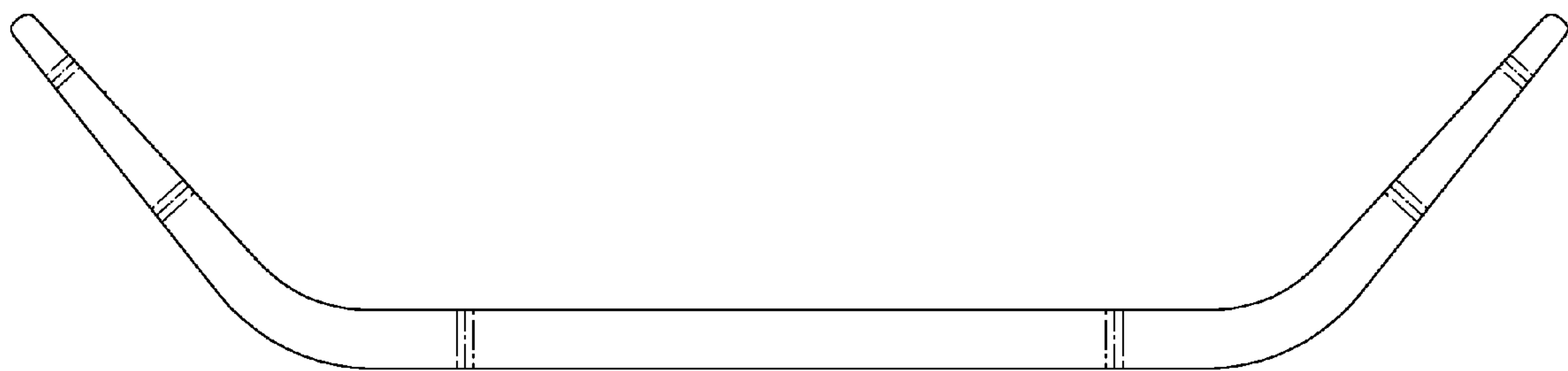


FIG. 8

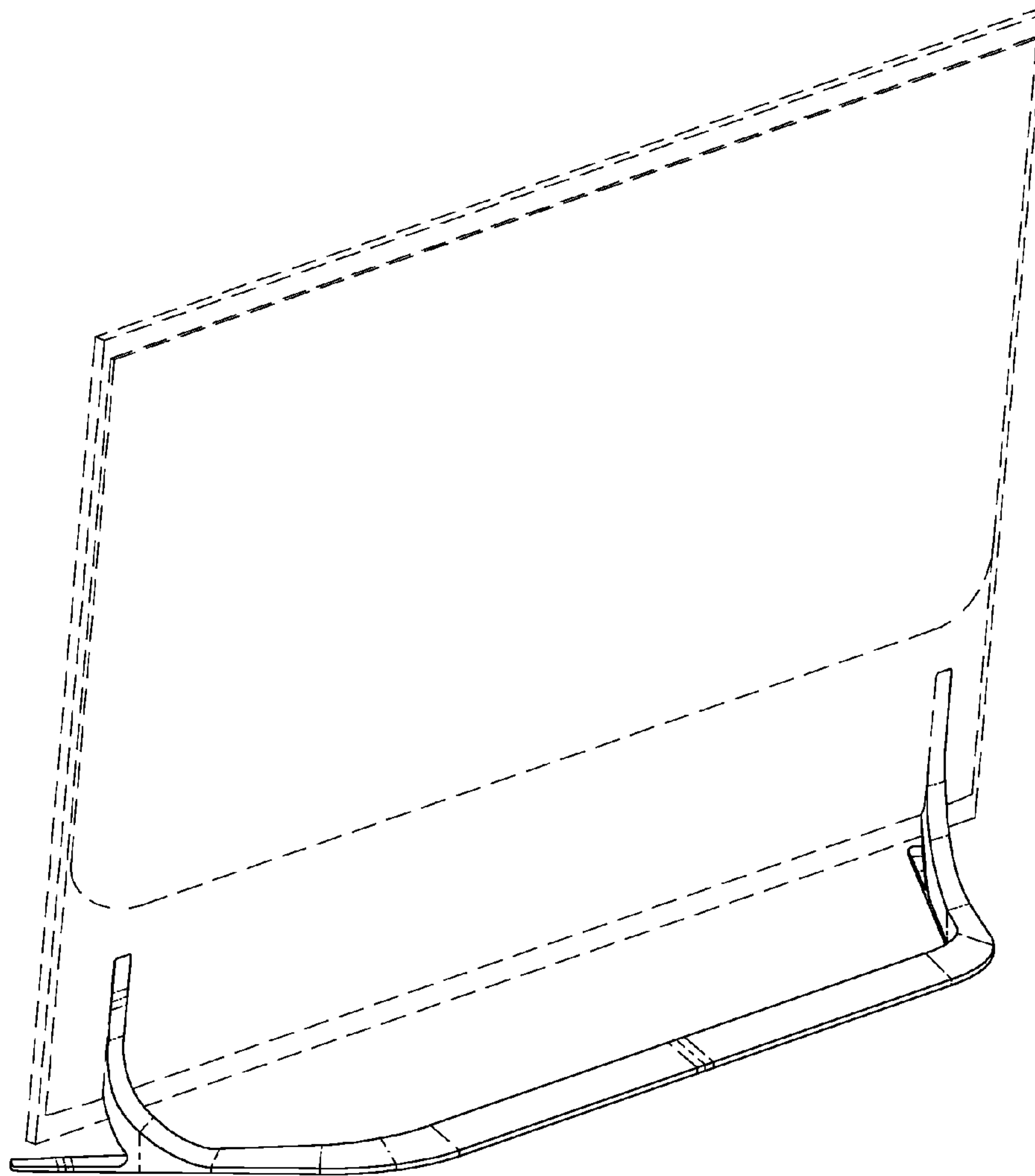


FIG. 9

