



US00D699710S

(12) **United States Design Patent**
Lee

(10) **Patent No.:** **US D699,710 S**
(45) **Date of Patent:** **** Feb. 18, 2014**

(54) **SPEAKER**

(71) Applicant: **Doug Lee**, Baldwin Park, CA (US)

(72) Inventor: **Doug Lee**, Baldwin Park, CA (US)

(**) Term: **14 Years**

(21) Appl. No.: **29/448,308**

(22) Filed: **Mar. 12, 2013**

(51) **LOC (10) Cl.** **14-03**

(52) **U.S. Cl.**
USPC **D14/214**

(58) **Field of Classification Search**
USPC D14/172, 194, 196, 204, 207, 209.1,
D14/210-217, 219-222, 224; 181/143, 144,
181/147, 148, 150, 153, 157, 198, 199;
381/300-303, 306, 332, 333, 336, 345,
381/361-364, 386-388

See application file for complete search history.

(56) **References Cited**

U.S. PATENT DOCUMENTS

D644,204 S *	8/2011	Poandl	D14/215
D649,136 S *	11/2011	McManigal	D14/214
D676,420 S *	2/2013	Holzer	D14/212
D678,243 S *	3/2013	McManigal et al.	D14/214

* cited by examiner

Primary Examiner — Keli L Hill

(74) *Attorney, Agent, or Firm* — Curtis L. Harrington;
Harrington & Harrington

(57) **CLAIM**

The ornamental design for a speaker, as shown and described.

DESCRIPTION

FIG. 1 is a front perspective view of the speaker;
FIG. 2 is a left side view thereof;
FIG. 3 is a right side view thereof;
FIG. 4 is a front view thereof;
FIG. 5 is a rear view thereof;
FIG. 6 is a top view thereof; and,
FIG. 7 is a bottom view thereof.
The broken line showing of the rear and bottom of the speaker
is included for the purpose of illustrating environment and
forms no part of the claimed design.

1 Claim, 4 Drawing Sheets

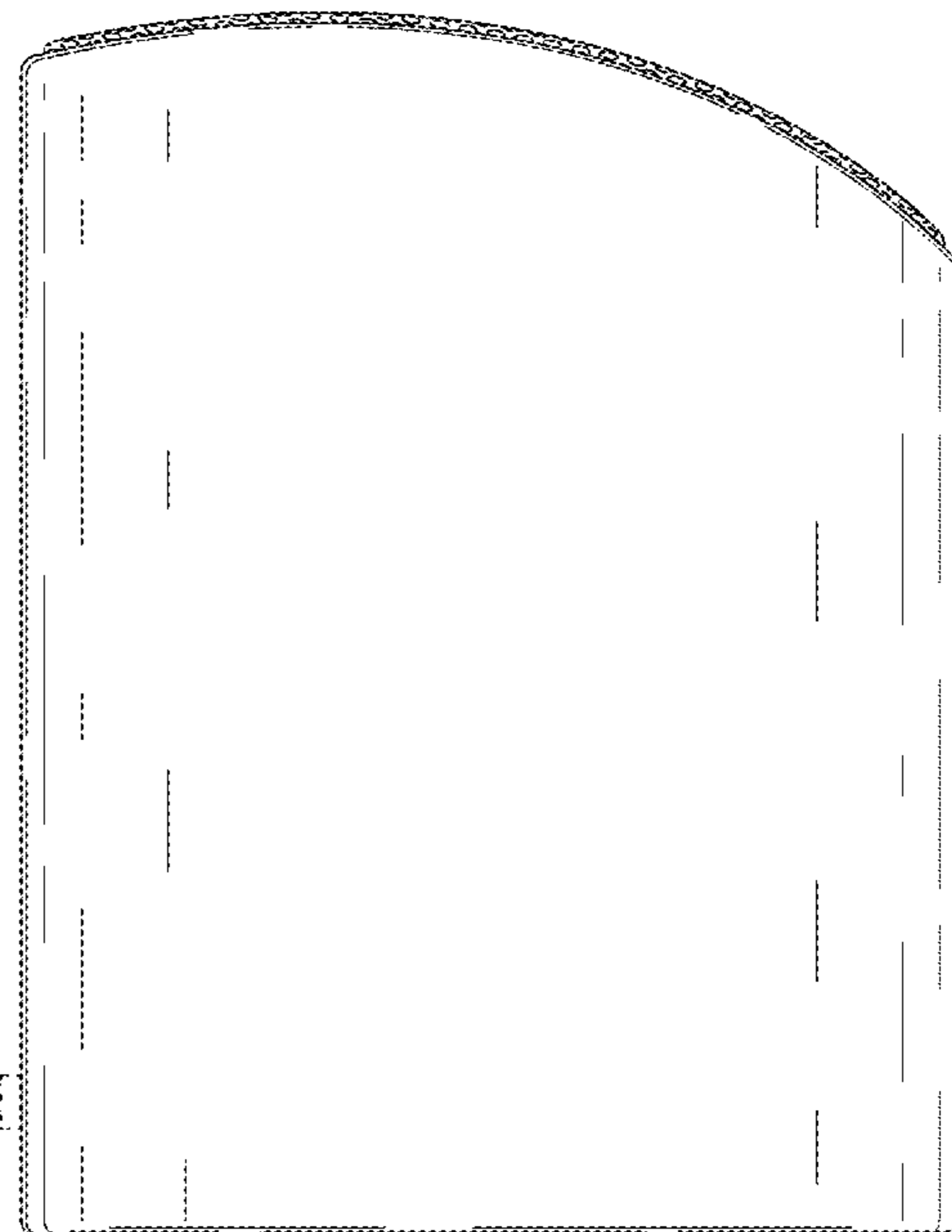
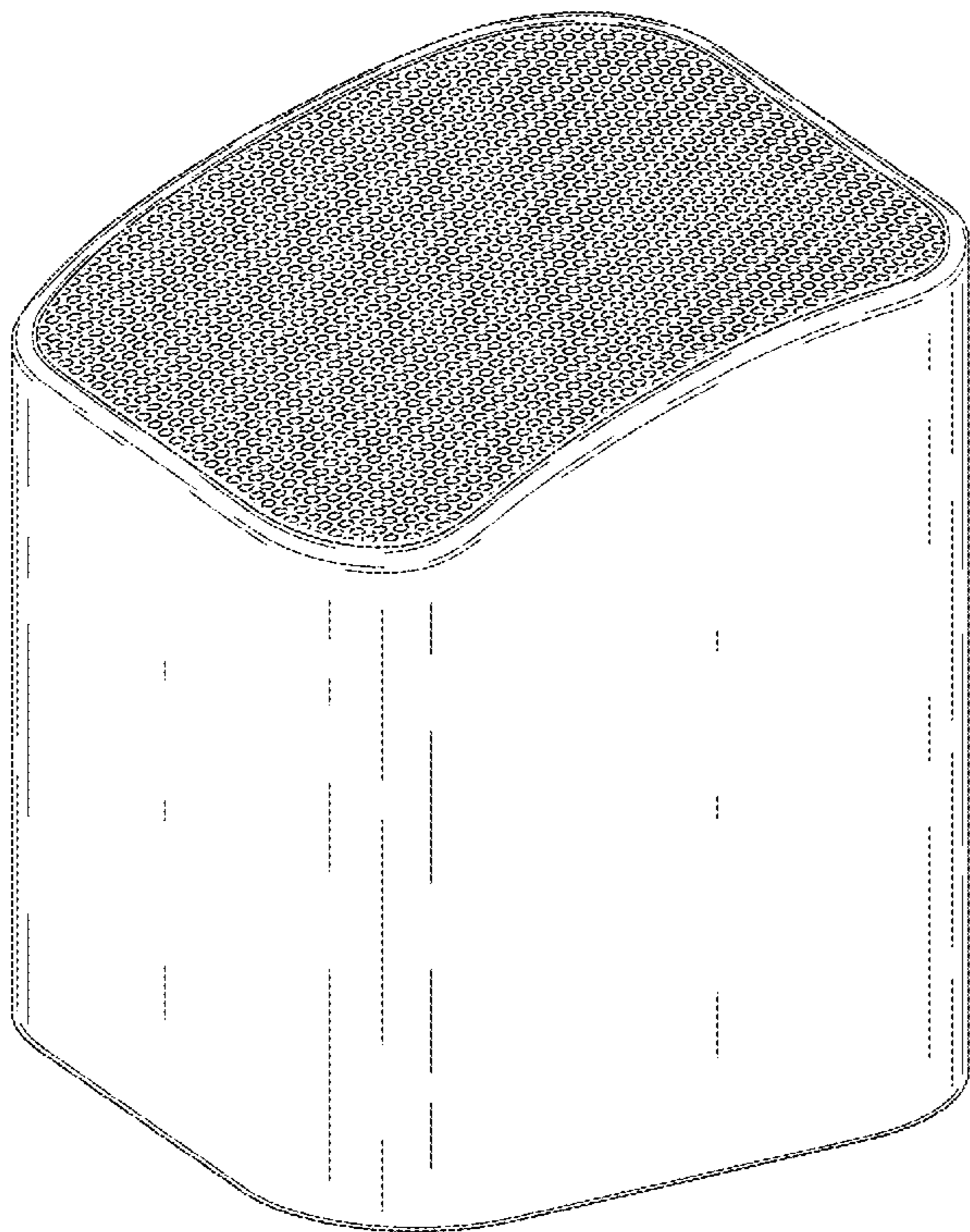


Fig. 1

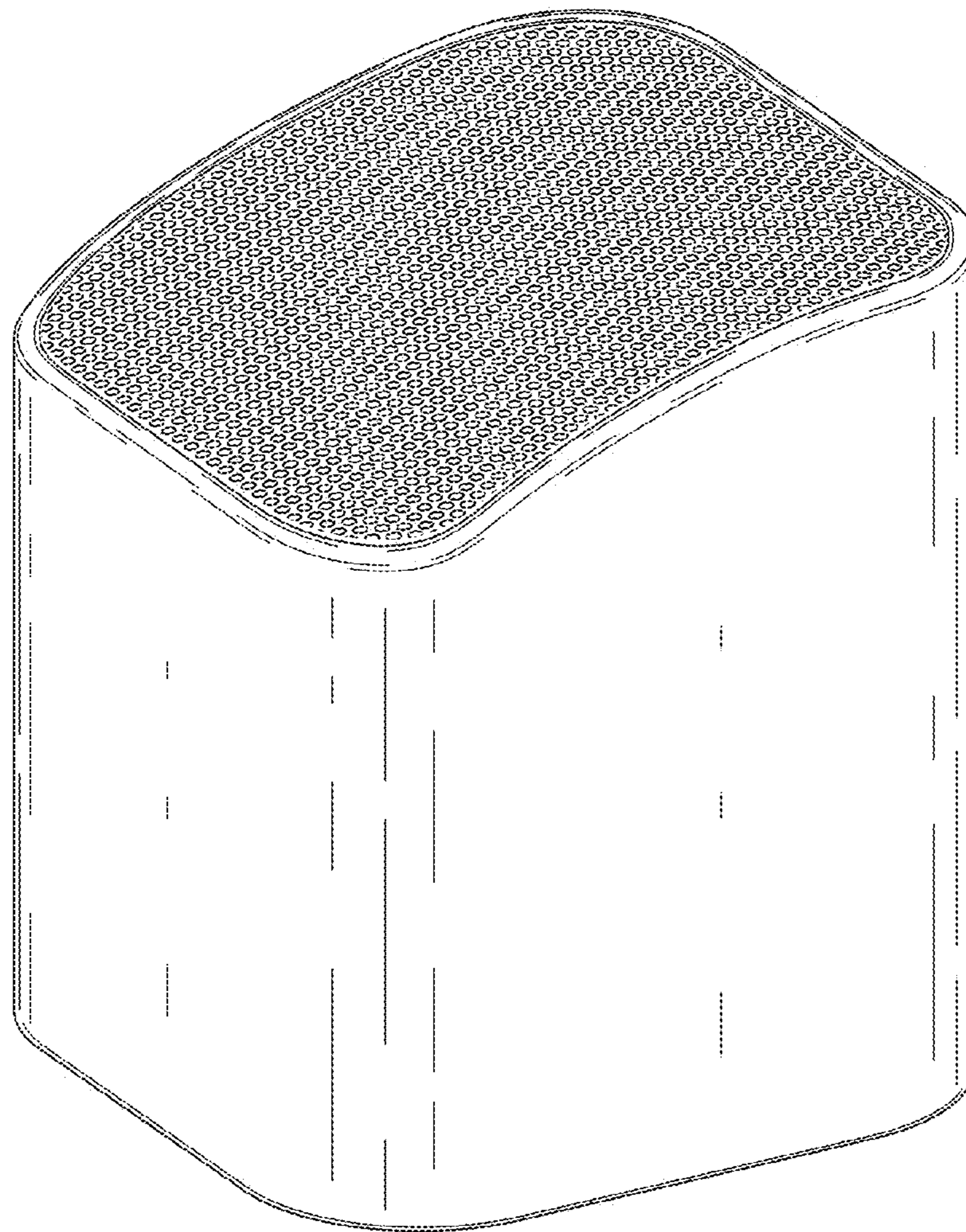


Fig. 3

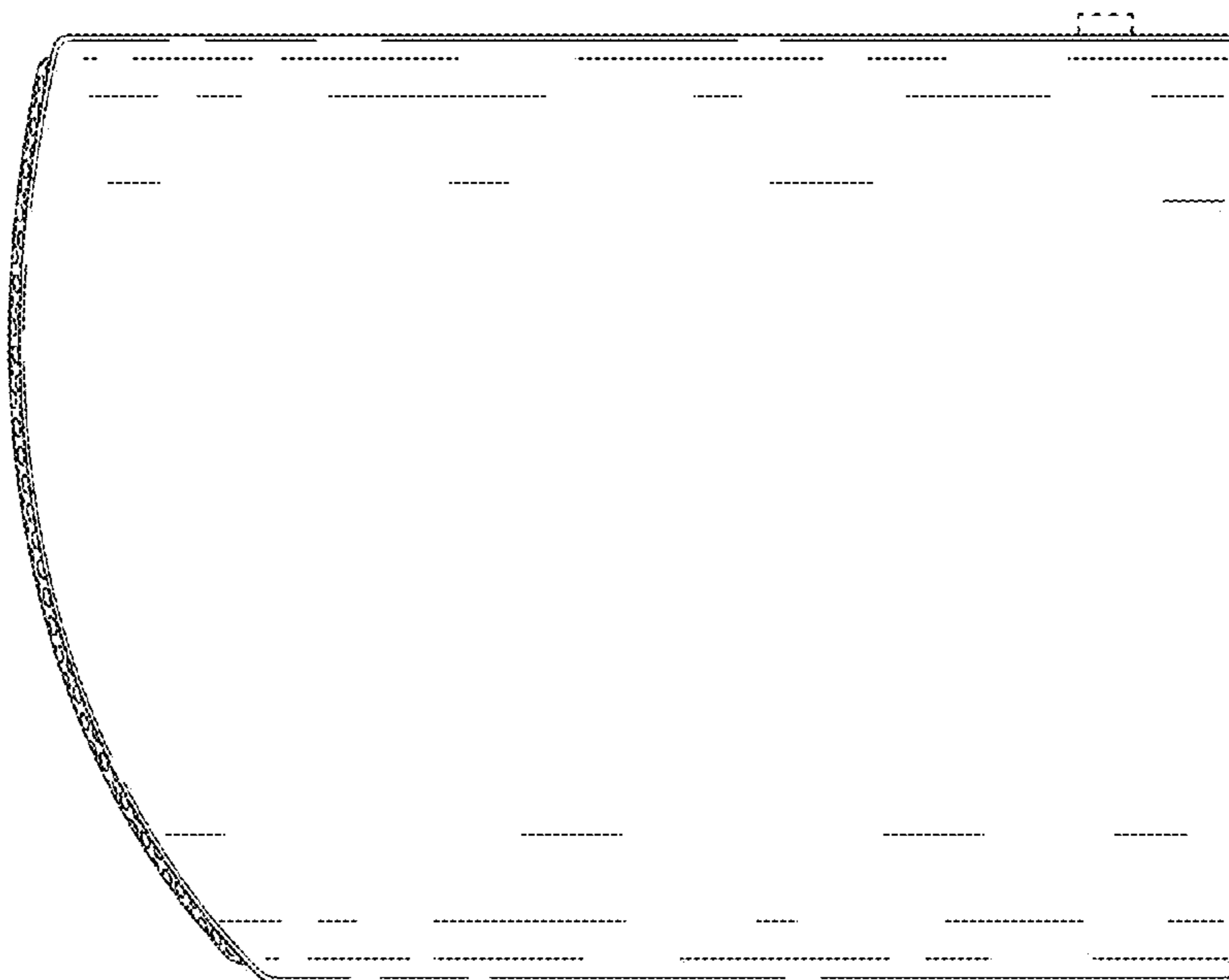


Fig. 2

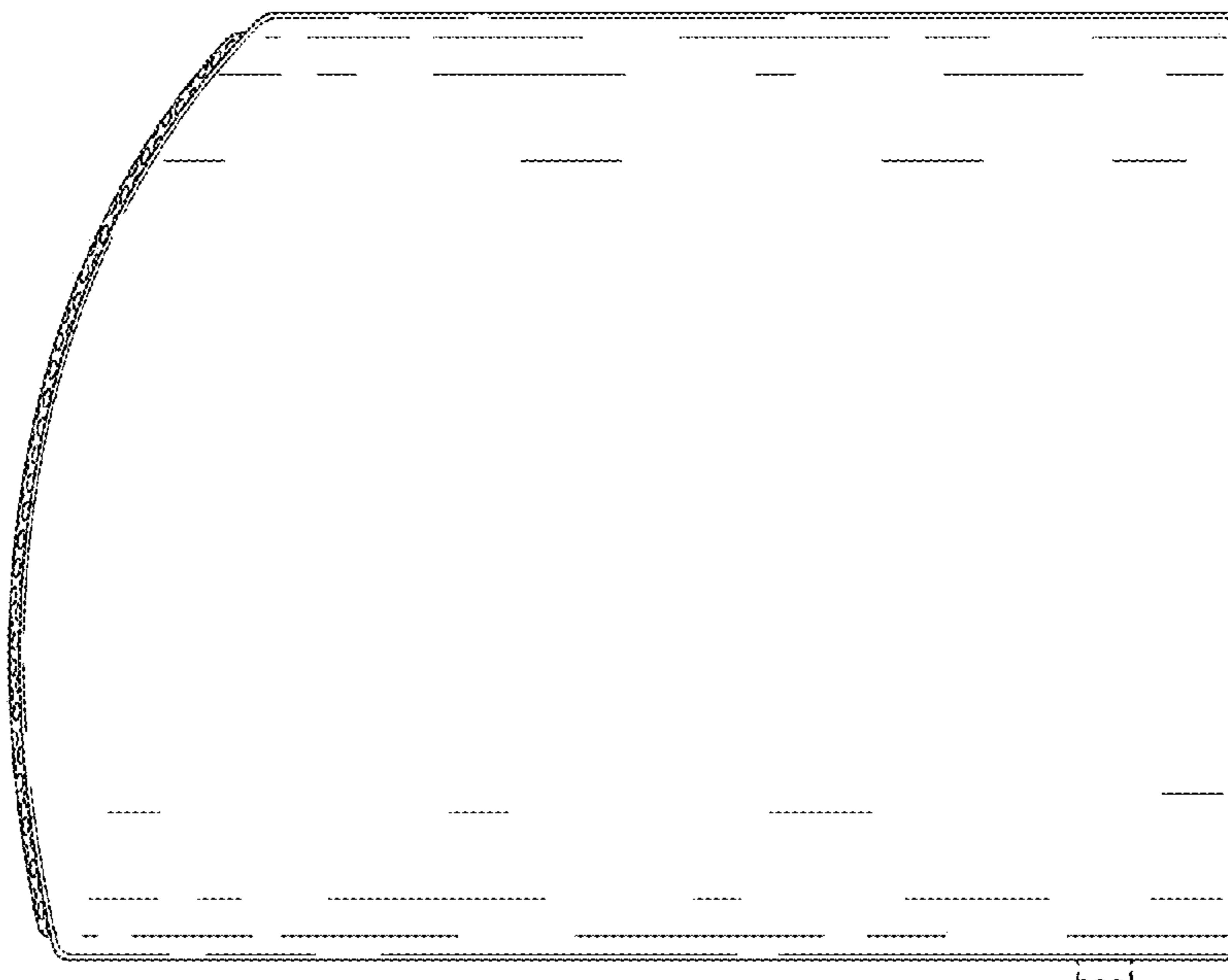


Fig. 5

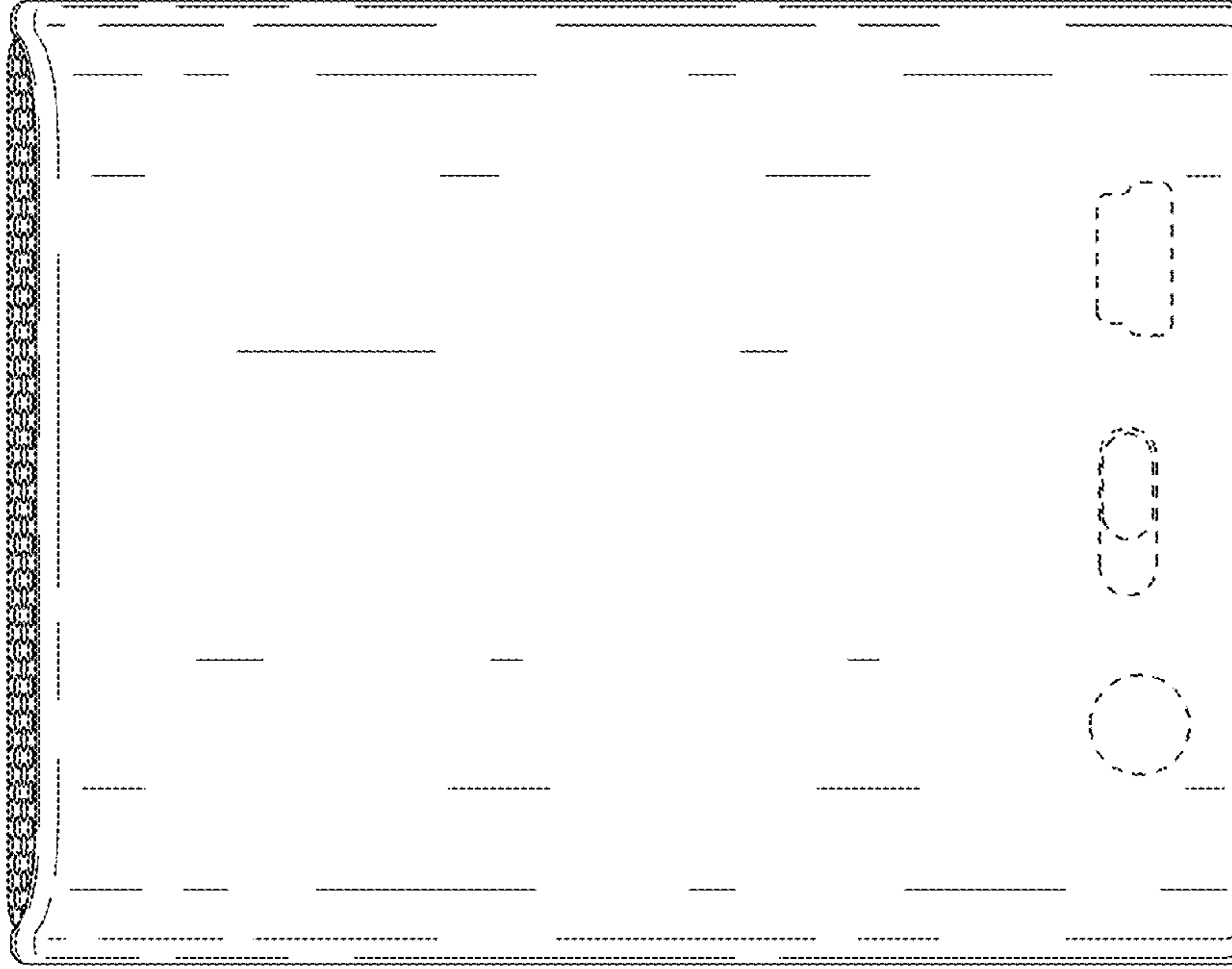


Fig. 4

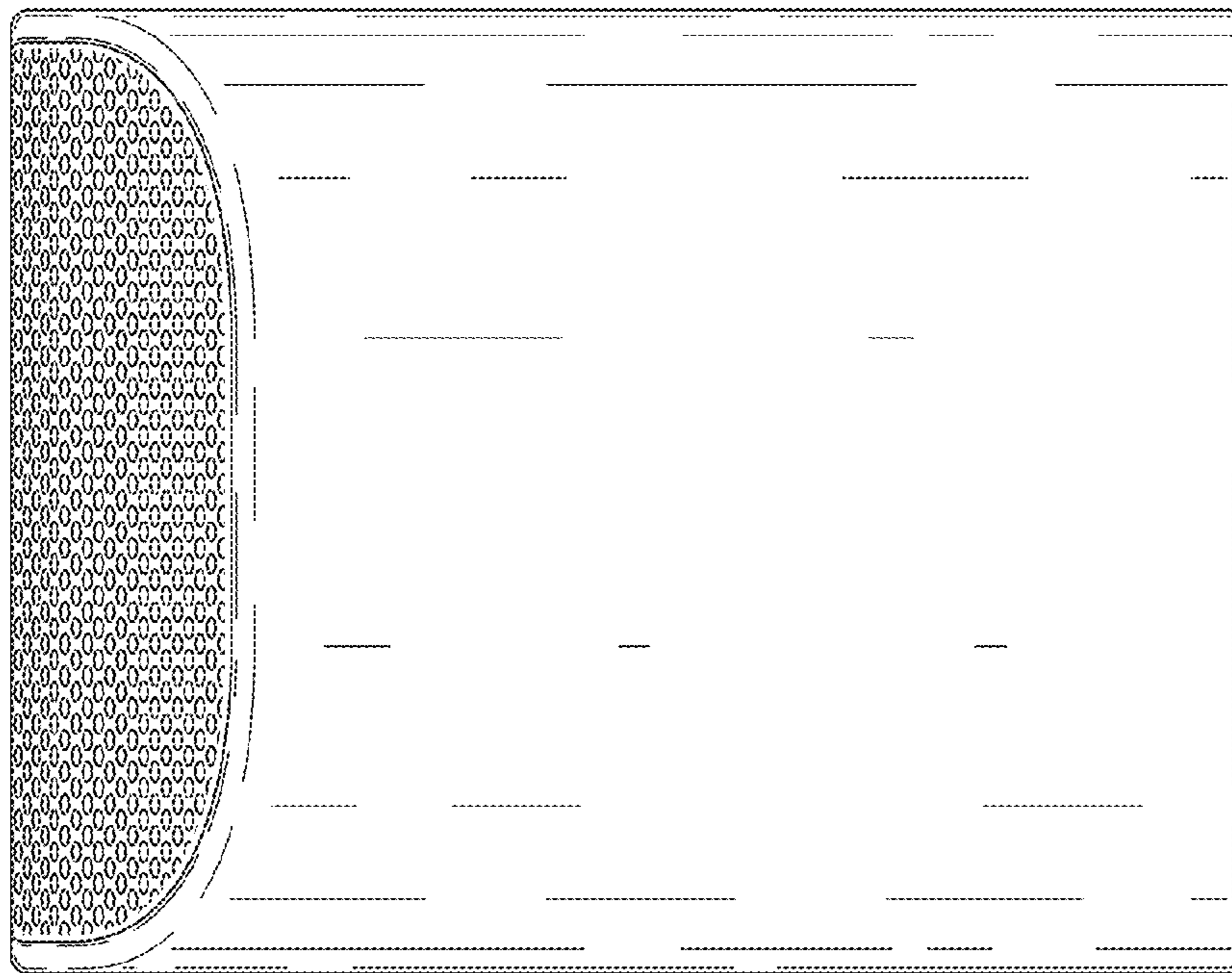


Fig. 6

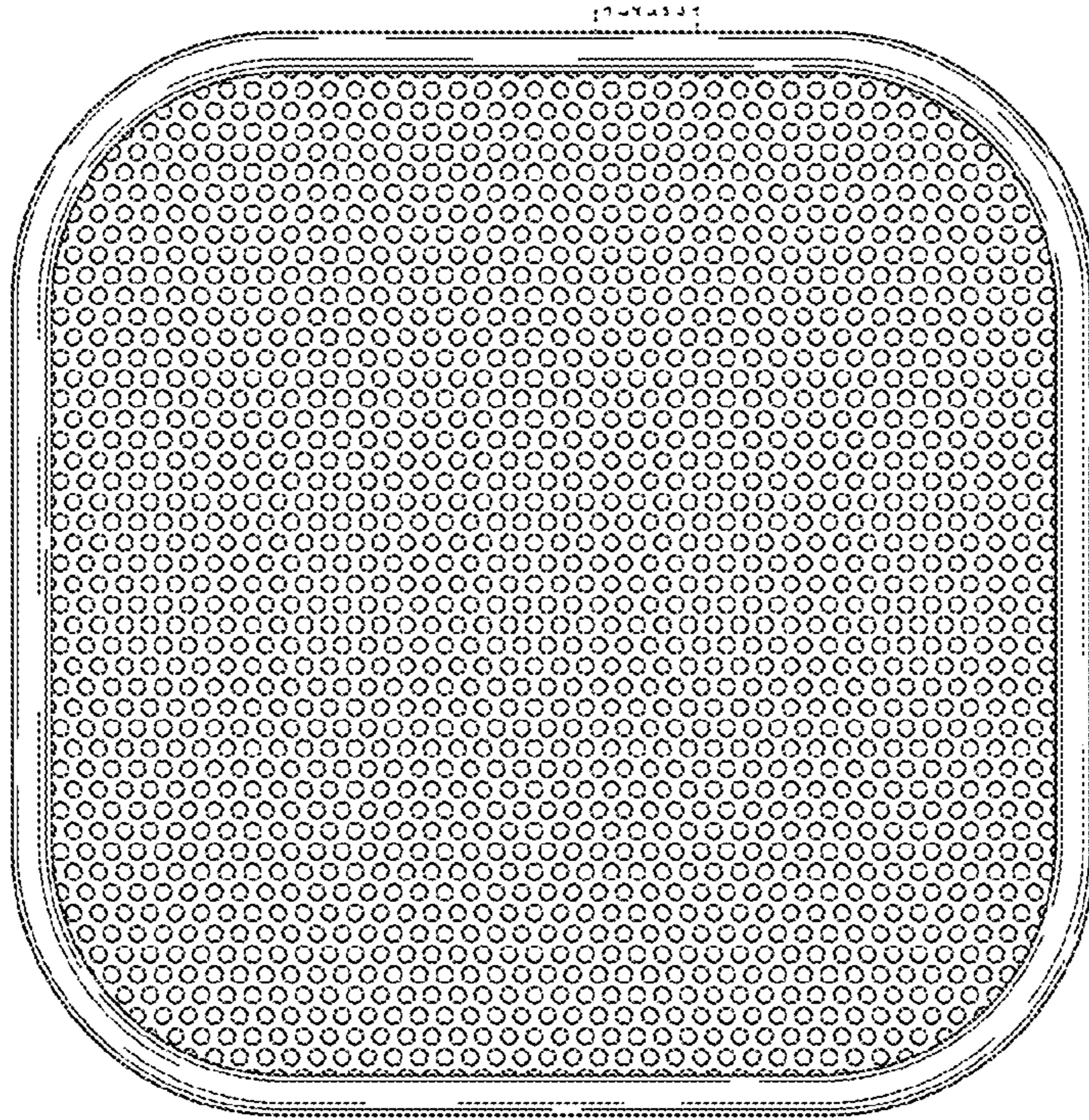


Fig. 7

