



US00D699709S

(12) **United States Design Patent**  
**Files**

(10) **Patent No.:** **US D699,709 S**  
(45) **Date of Patent:** **\*\* Feb. 18, 2014**

(54) **SADDLEBAG LID SPEAKER HOUSING FOR A MOTORCYCLE**

(71) Applicant: **Edward M. Files**, Lee's Summit, MO (US)

(72) Inventor: **Edward M. Files**, Lee's Summit, MO (US)

(\*\*) Term: **14 Years**

(21) Appl. No.: **29/437,206**

(22) Filed: **Nov. 14, 2012**

(51) **LOC (10) Cl.** ..... **14-03**

(52) **U.S. Cl.**  
USPC ..... **D14/214; D12/114**

(58) **Field of Classification Search**  
USPC ..... D14/172, 194, 196, 204, 207, 209.1, D14/210-217, 219-222, 224; 181/143, 144, 181/147, 148, 150, 153, 157, 198, 199; 381/300-303, 306, 332, 333, 336, 345, 381/361-364, 386-388; D12/114, 119  
See application file for complete search history.

(56) **References Cited**

**U.S. PATENT DOCUMENTS**

D178,027 S *	6/1956	Viemeister .....	D12/126
D200,144 S *	1/1965	Marchello .....	D12/401
D252,328 S *	7/1979	Moore, Sr. ....	D12/218
D350,135 S *	8/1994	Polk et al. ....	D14/204
D356,301 S *	3/1995	Schneider et al. ....	D14/189
D372,918 S *	8/1996	Manganese et al. ....	D14/214
D450,632 S *	11/2001	Morgan .....	D12/114
D625,708 S *	10/2010	Files .....	D14/214

**OTHER PUBLICATIONS**

Printout from website www.motorcyclespecs.co.za showing Victory motorcycle with oem saddlebag lid, on sale more than one year before the filing date of the present application.

\* cited by examiner

*Primary Examiner* — Keli L Hill

(74) *Attorney, Agent, or Firm* — Erickson, Kernell, Derusseau & Kleypas, LLC

(57) **CLAIM**

The ornamental design for a saddlebag lid speaker housing for a motorcycle, as shown and described.

**DESCRIPTION**

FIG. 1 is a right front perspective view of a saddlebag lid speaker housing for a motorcycle according to the present invention;

FIG. 2 is a top plan view thereof;

FIG. 3 is a right side elevational view thereof;

FIG. 4 is a left side elevational view thereof;

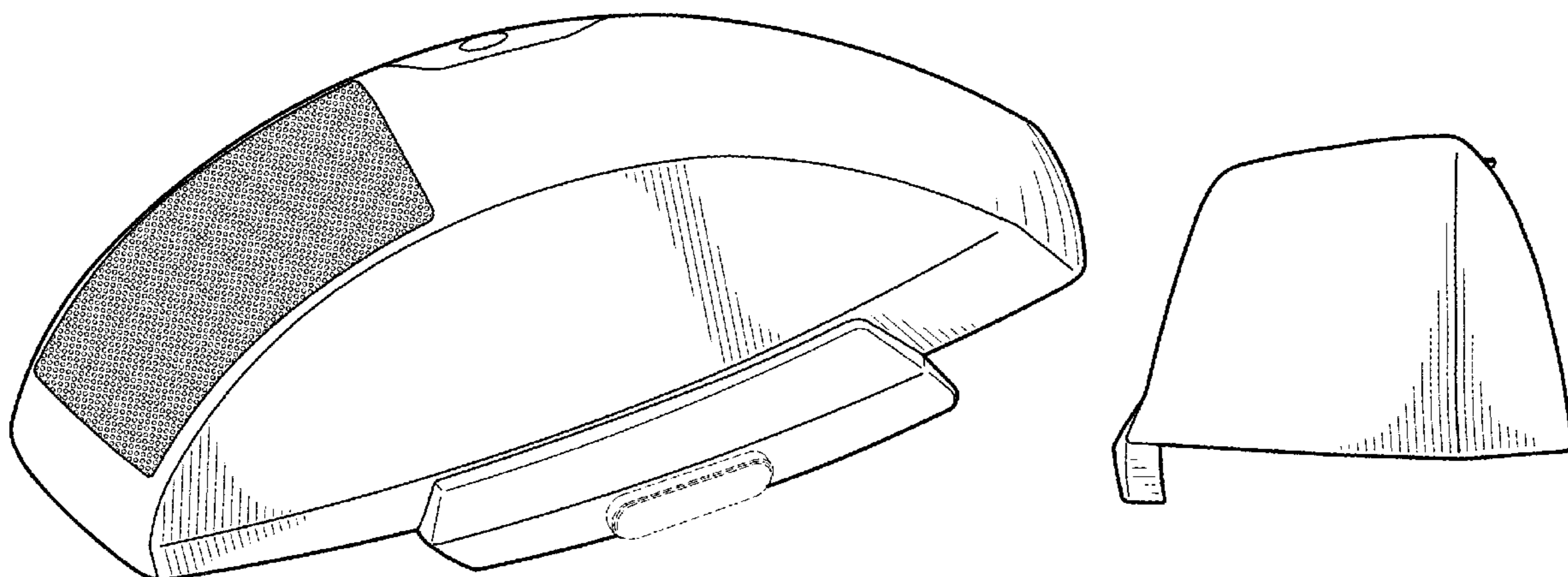
FIG. 5 is a bottom plan view thereof and includes an audio speaker and a latch mechanism which are shown in broken lines and form no part of the claimed design;

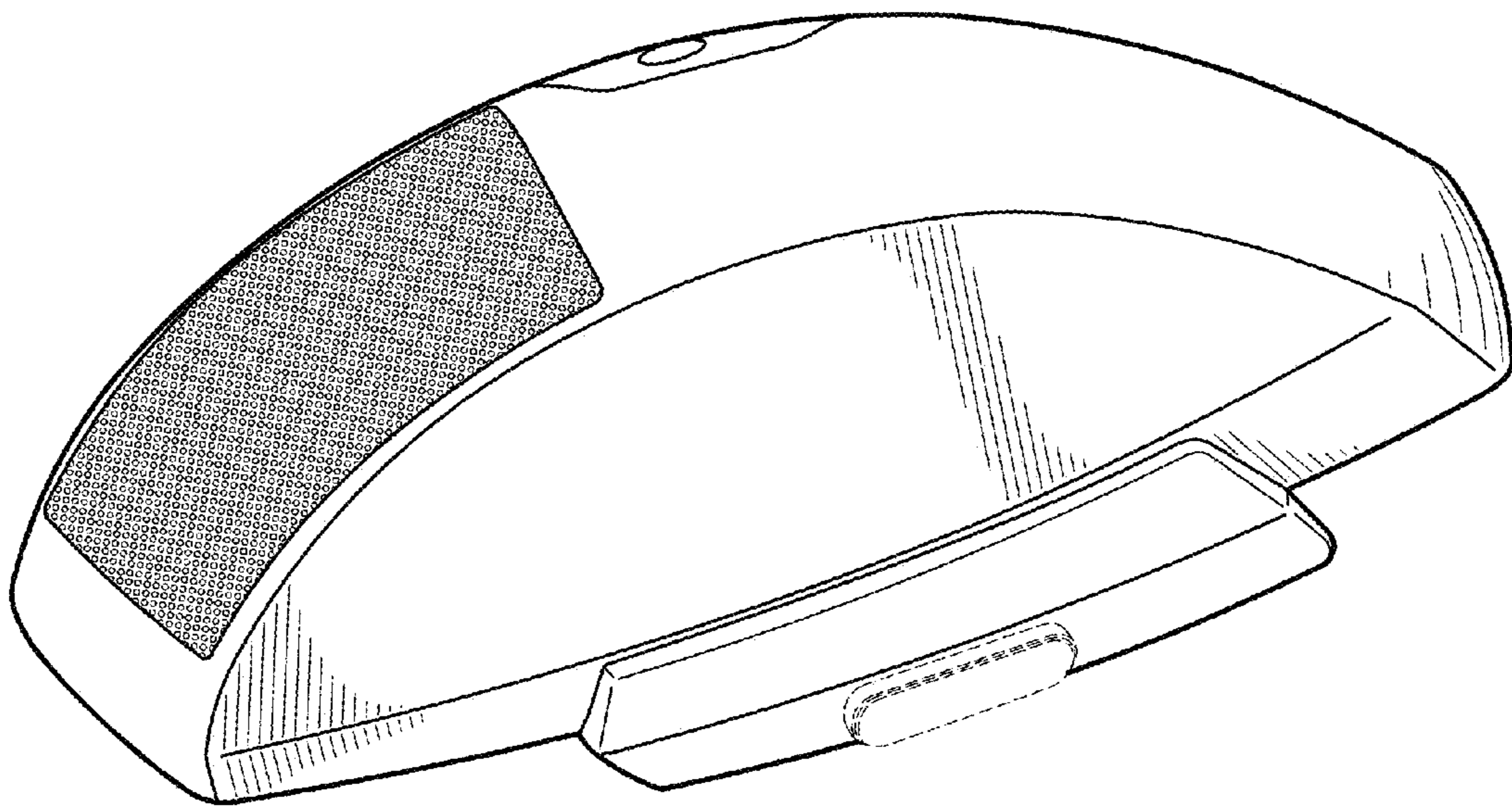
FIG. 6 is a front elevational view thereof; and,

FIG. 7 is a rear elevational view thereof.

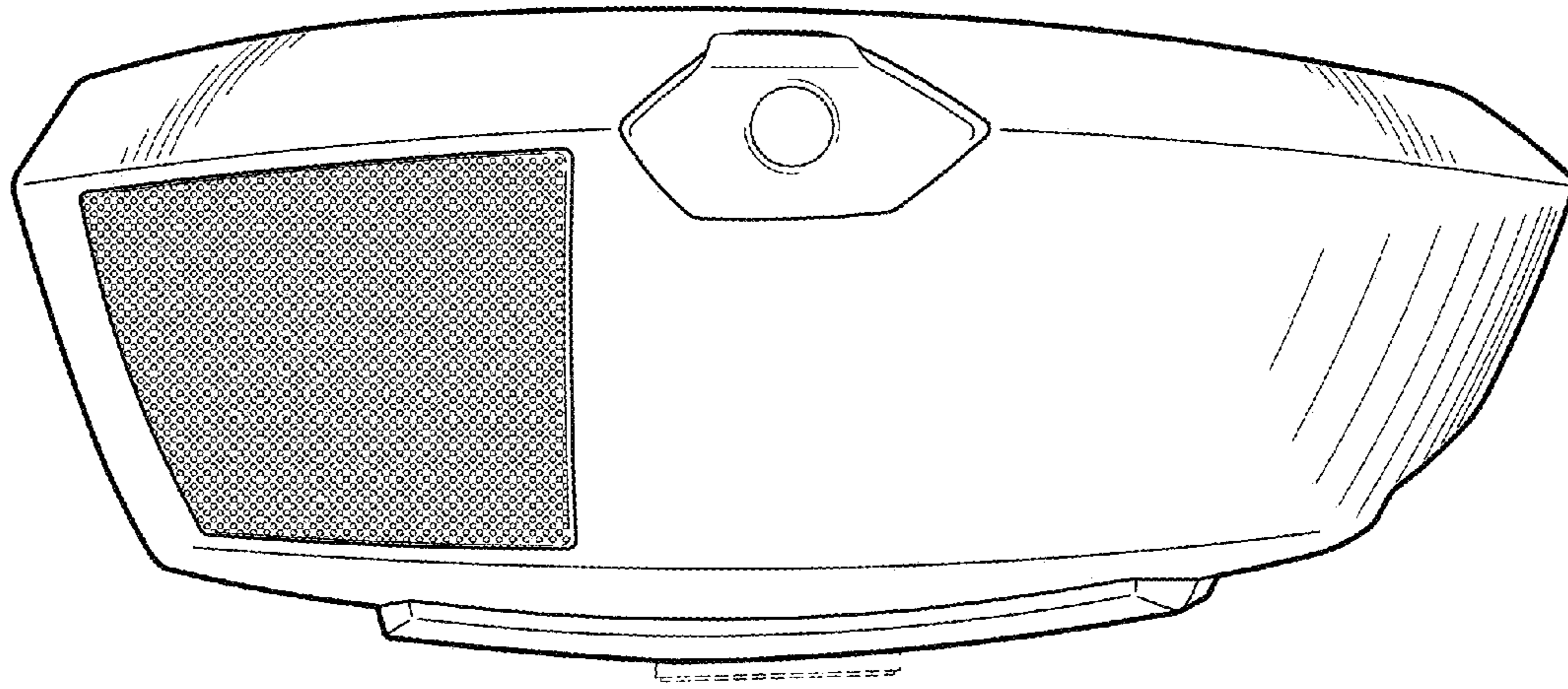
The broken lines in the figures are included for the purpose of illustrating portions of the saddlebag lid speaker housing that form no part of the claimed design.

**1 Claim, 4 Drawing Sheets**

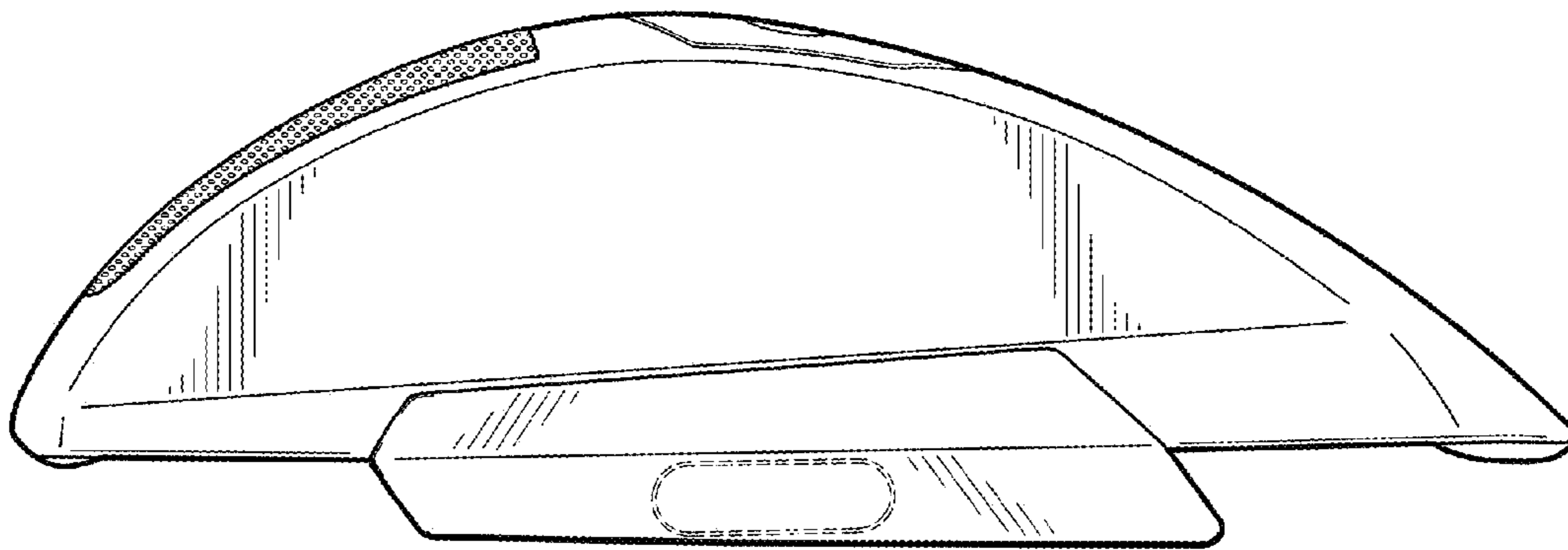




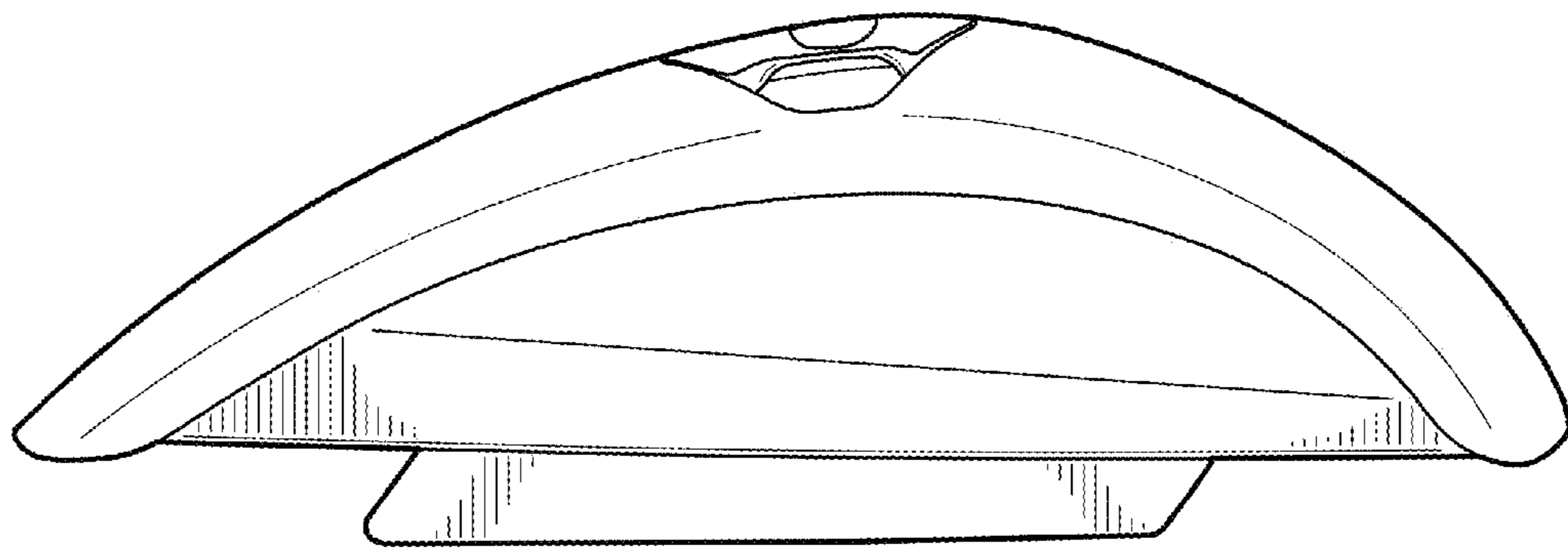
*Fig. 1*



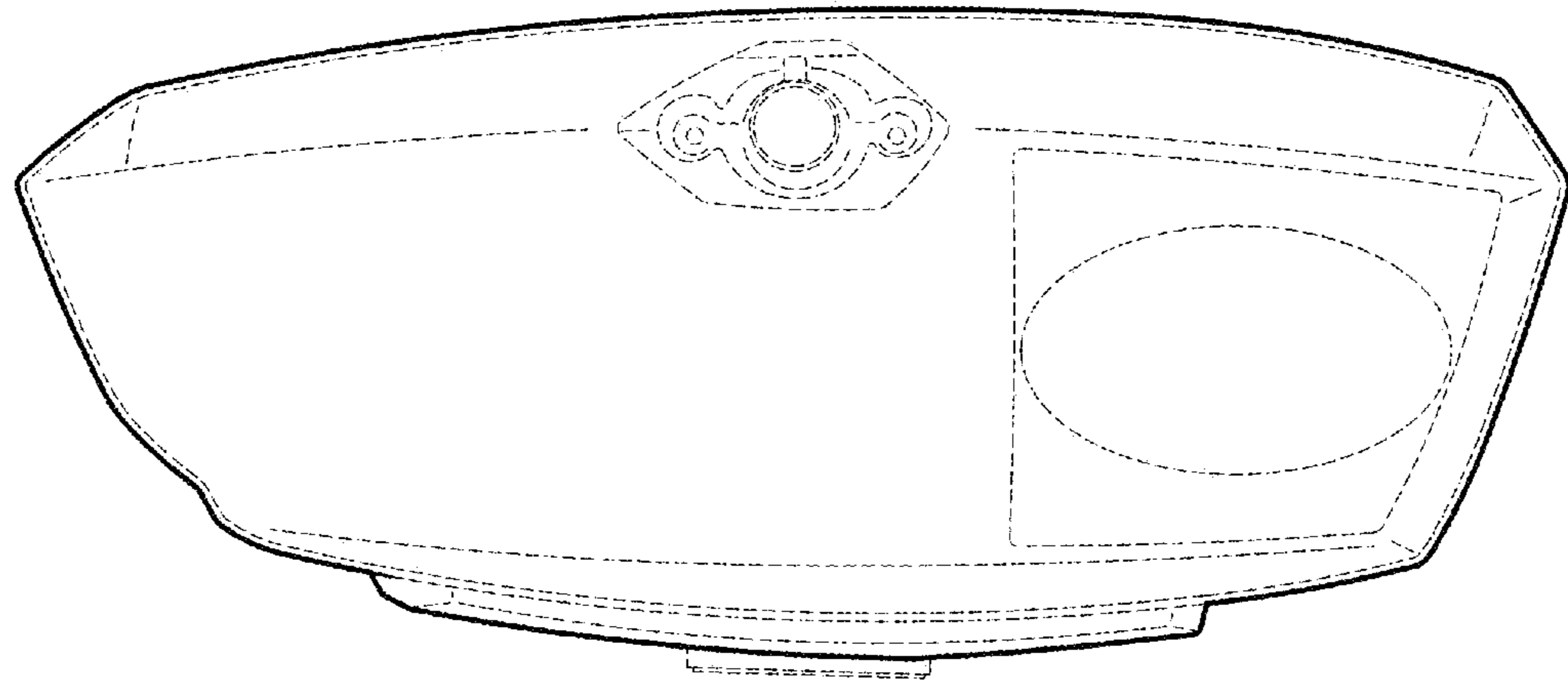
*Fig. 2*



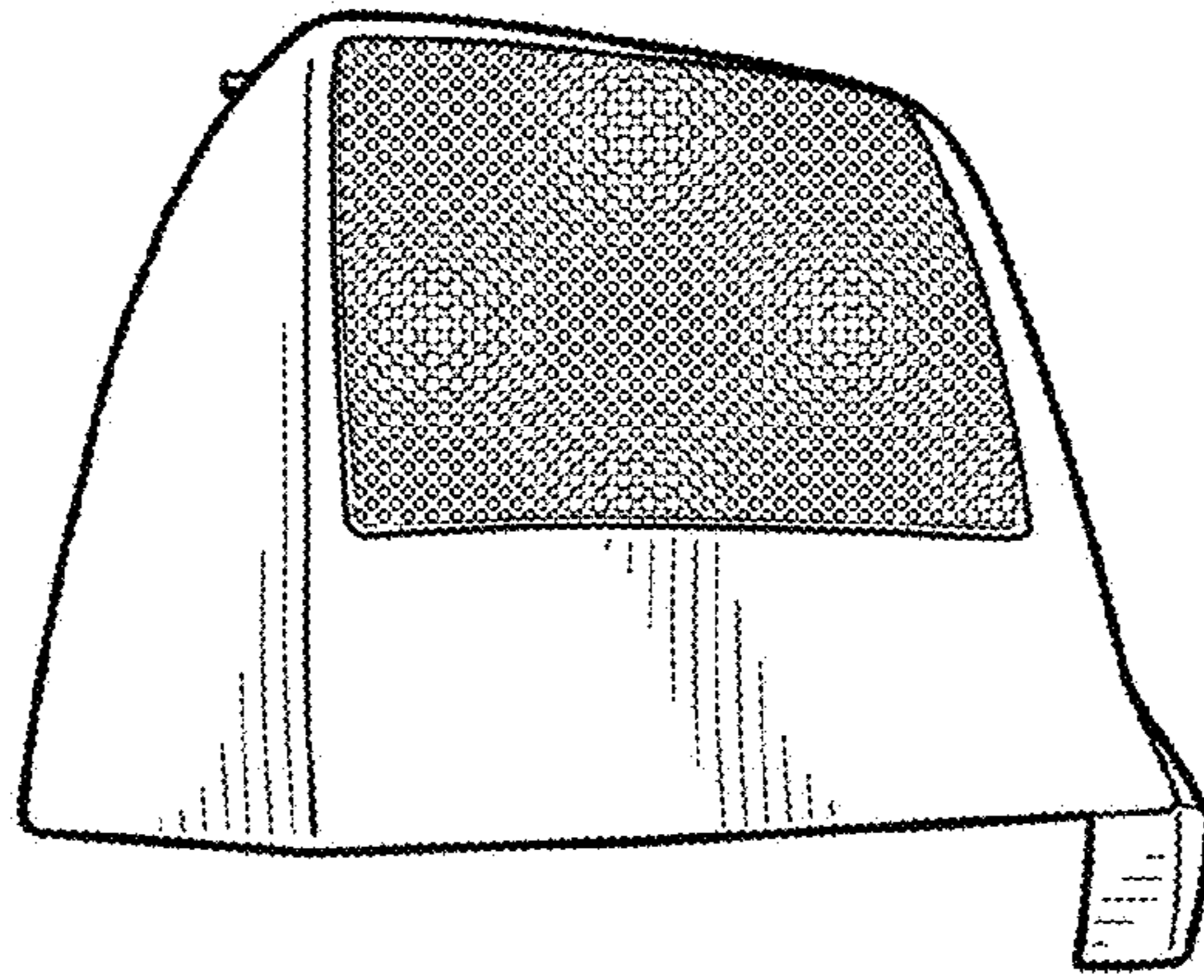
*Fig. 3*



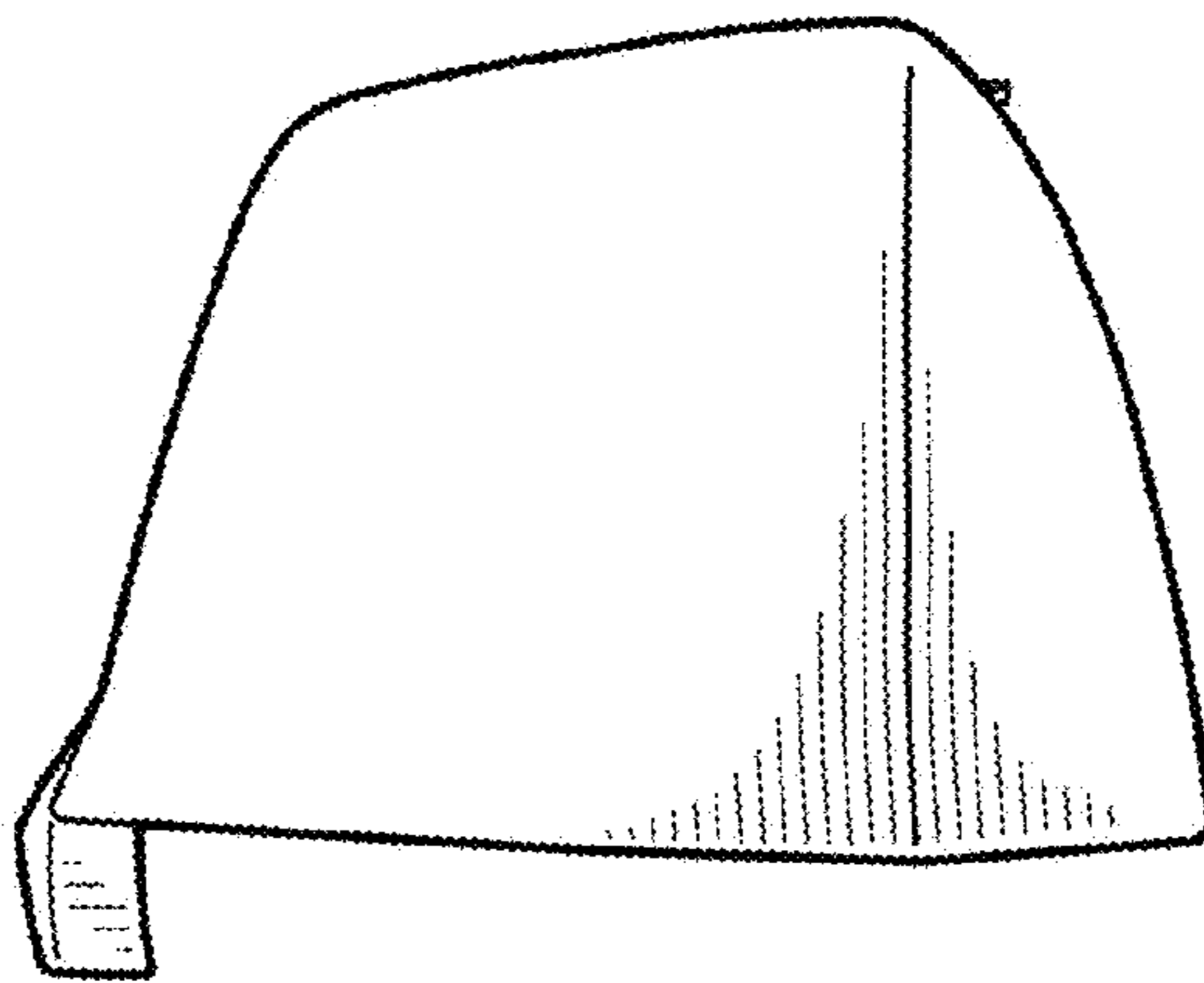
*Fig. 4*



*Fig. 5*



*Fig. 6*



*Fig. 7*