



US00D699701S

(12) **United States Design Patent**
Kim

(10) **Patent No.:** **US D699,701 S**
(45) **Date of Patent:** **** Feb. 18, 2014**

- (54) **DIGITAL AUDIO PLAYER**
- (71) Applicant: **Iriver Limited**, Seoul (KR)
- (72) Inventor: **So Yeon Kim**, Seoul (KR)
- (73) Assignee: **Iriver Limited**, Seoul (KR)
- (**) Term: **14 Years**
- (21) Appl. No.: **29/438,812**
- (22) Filed: **Dec. 4, 2012**
- (51) **LOC (10) Cl.** **14-03**
- (52) **U.S. Cl.**
USPC **D14/203.7; D14/496**
- (58) **Field of Classification Search**
USPC D14/496, 401, 435, 474, 483, 217, 137,
D14/138, 160, 168, 356, 203.1–203.8, 507;
345/156, 169, 173–179, 905;
715/727–729, 864; 710/1, 5, 8; 713/1,
713/600; 455/1.1, 1.7, 73, 344–347, 93, 95,
455/3.01–3.06, 550.1, 573.1; 370/342–344;
369/1, 2, 6–12; 463/43–47; 273/148 B
See application file for complete search history.

7,281,214	B2 *	10/2007	Fadell	715/745
D583,828	S *	12/2008	Li et al.	D14/496
D586,823	S *	2/2009	Anderson et al.	D14/496
D593,132	S *	5/2009	Kim	D14/496
D615,526	S *	5/2010	Andre et al.	D14/203.7
D629,385	S *	12/2010	Lee	D14/203.7
D629,786	S *	12/2010	Andre et al.	D14/203.7

* cited by examiner

Primary Examiner — Prabhakar Deshmukh
(74) *Attorney, Agent, or Firm* — Li & Cai Intellectual Property (USA) Office

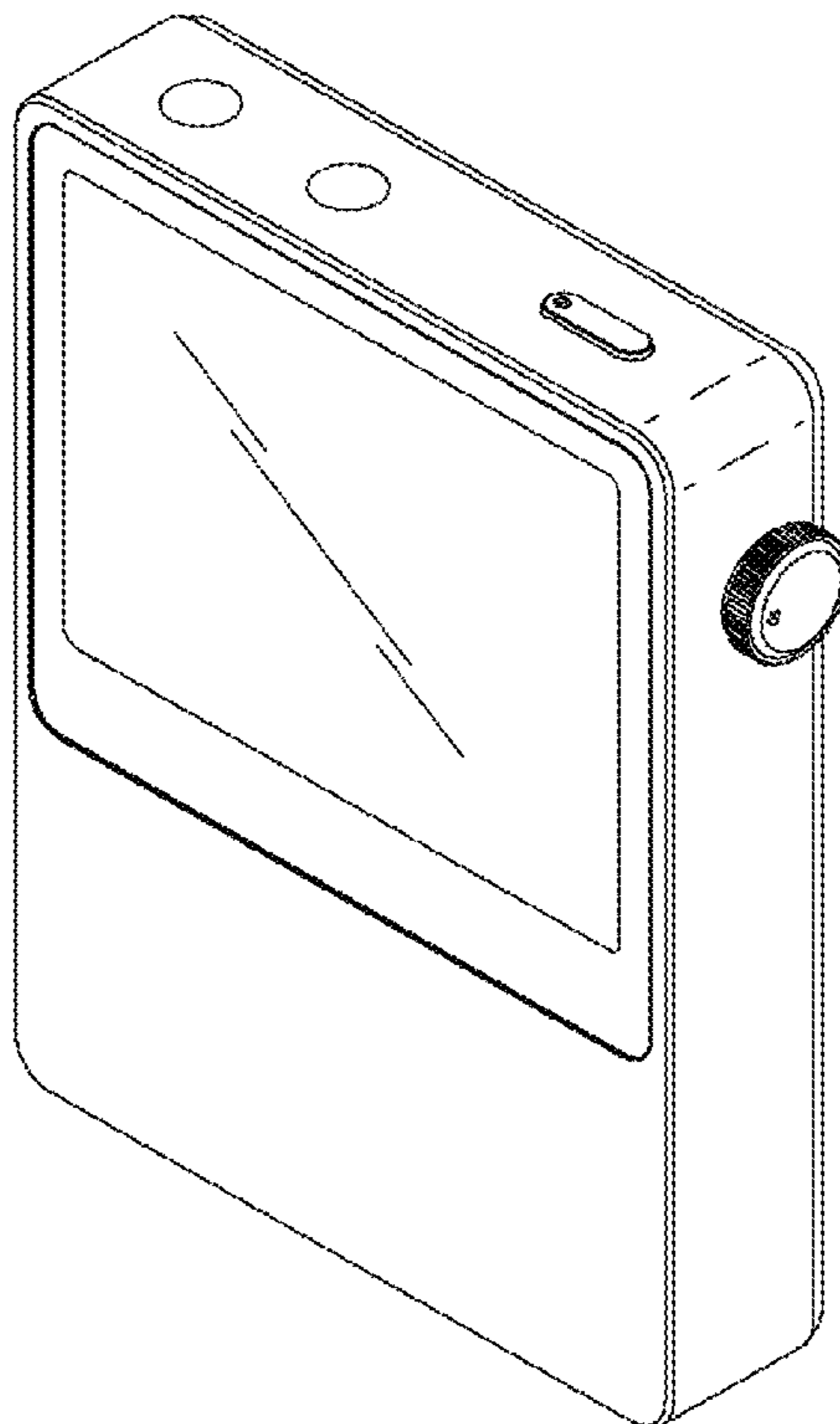
(57) **CLAIM**
The ornamental design for a digital audio player, as shown and described.

DESCRIPTION

FIG. 1 is a perspective view of a digital audio player showing my new design;
FIG. 2 is a front side view of the digital audio player shown in FIG. 1;
FIG. 3 is a rear side view of the digital audio player shown in FIG. 1;
FIG. 4 is a left side view of the digital audio player shown in FIG. 1;
FIG. 5 is a right side view of the digital audio player shown in FIG. 1;
FIG. 6 is a top view of the digital audio player shown in FIG. 1; and,
FIG. 7 is a bottom view of the digital audio player shown in FIG. 1.

1 Claim, 7 Drawing Sheets

- (56) **References Cited**
U.S. PATENT DOCUMENTS
5,046,739 A * 9/1991 Reichow 273/148 B
6,977,675 B2 * 12/2005 Kotzin 348/208.2
7,184,802 B2 * 2/2007 Chadha 455/575.1
D538,298 S * 3/2007 Naruki D14/203.7



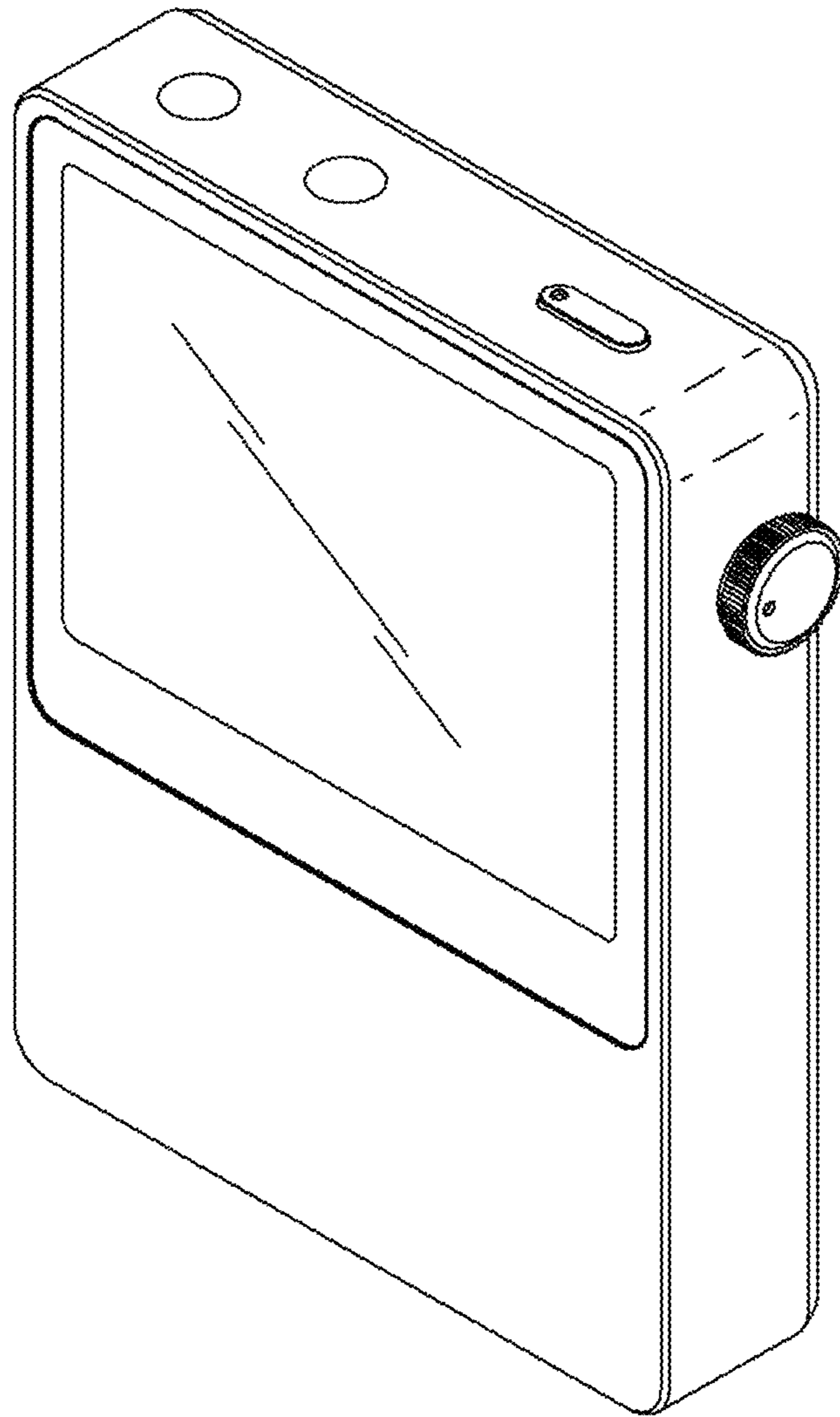


FIG. 1

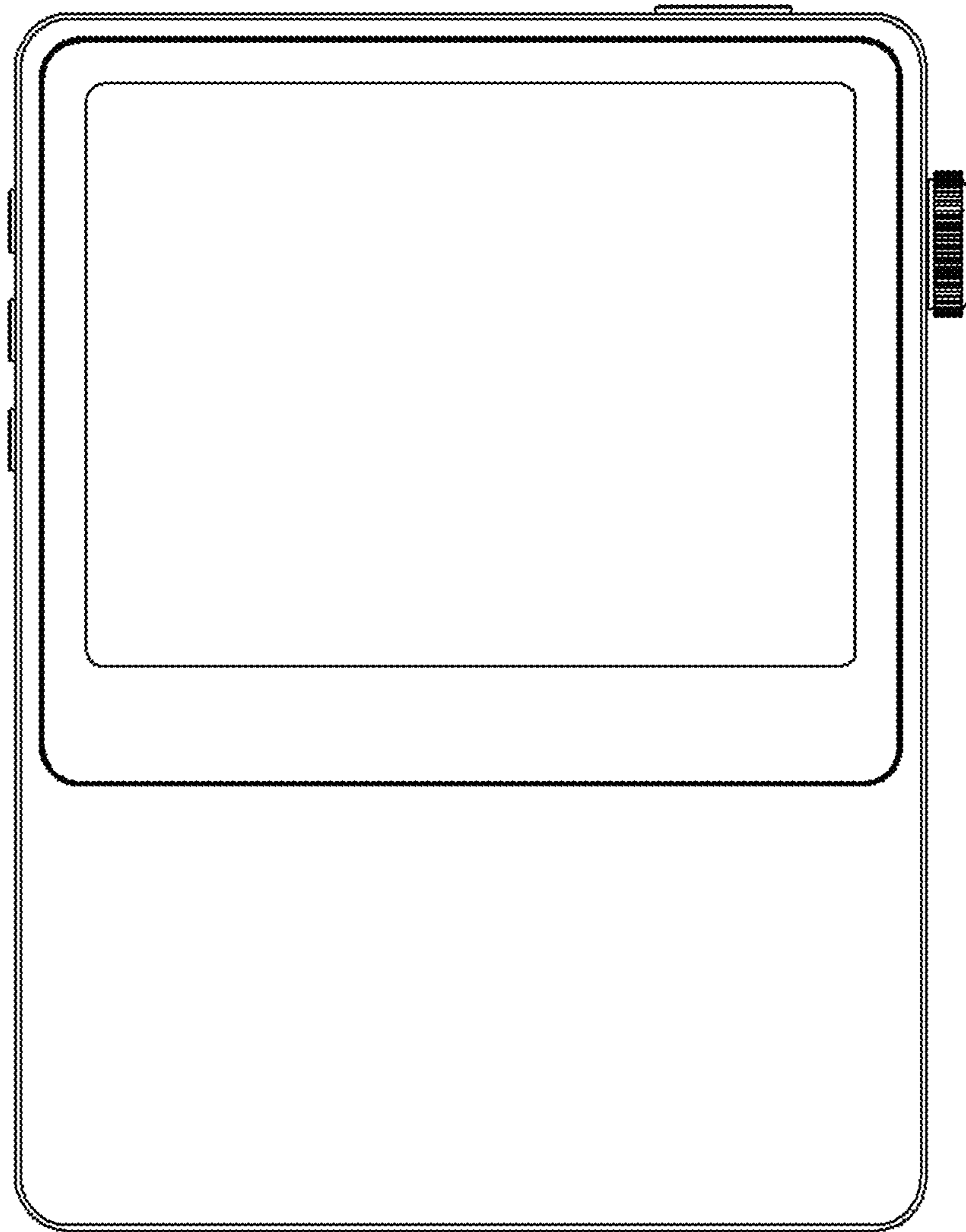


FIG. 2

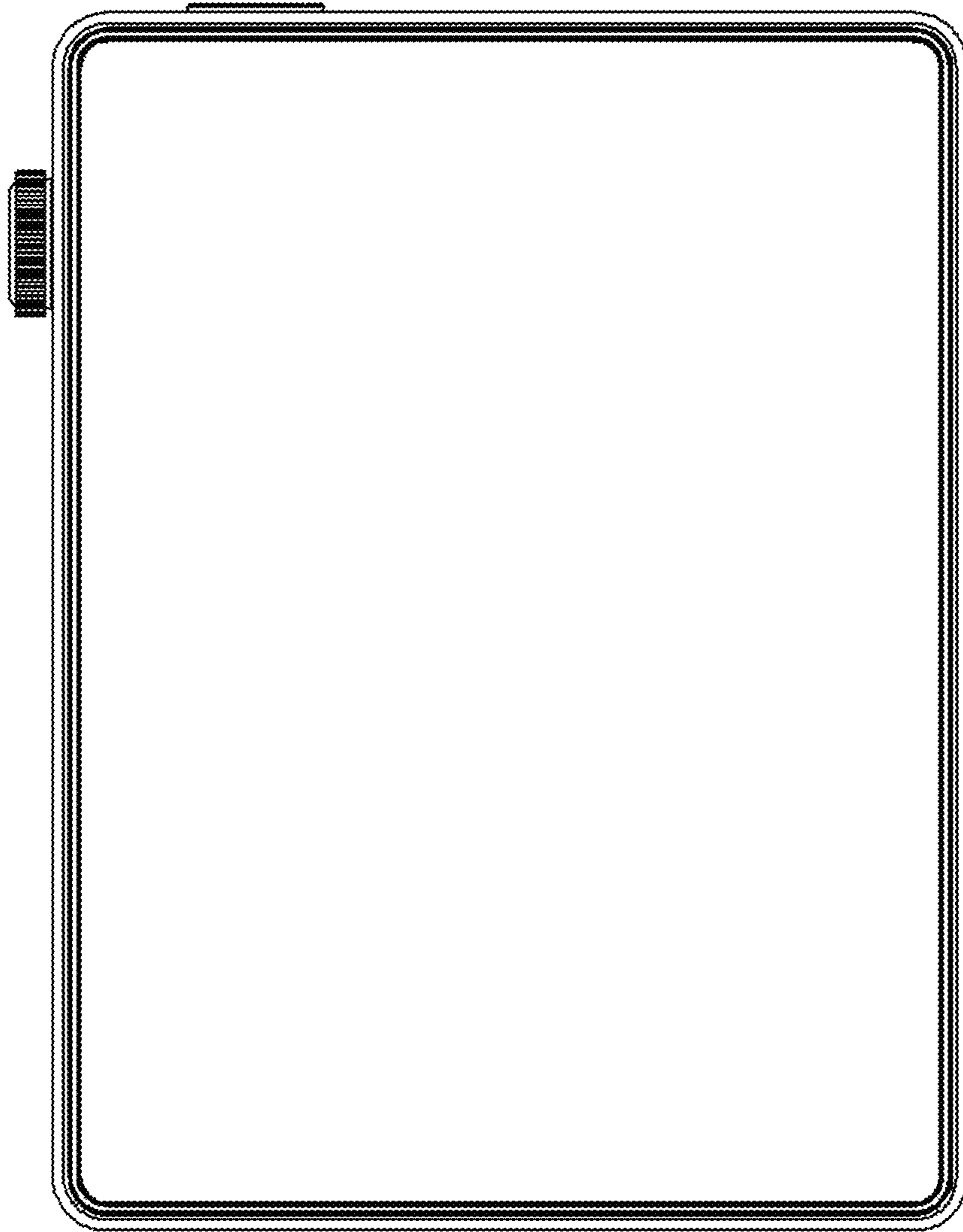


FIG. 3

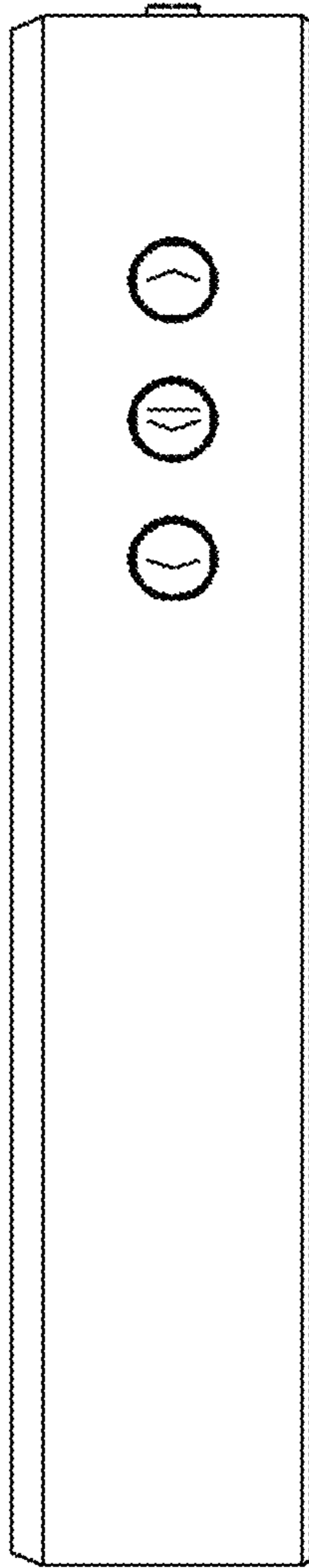


FIG. 4

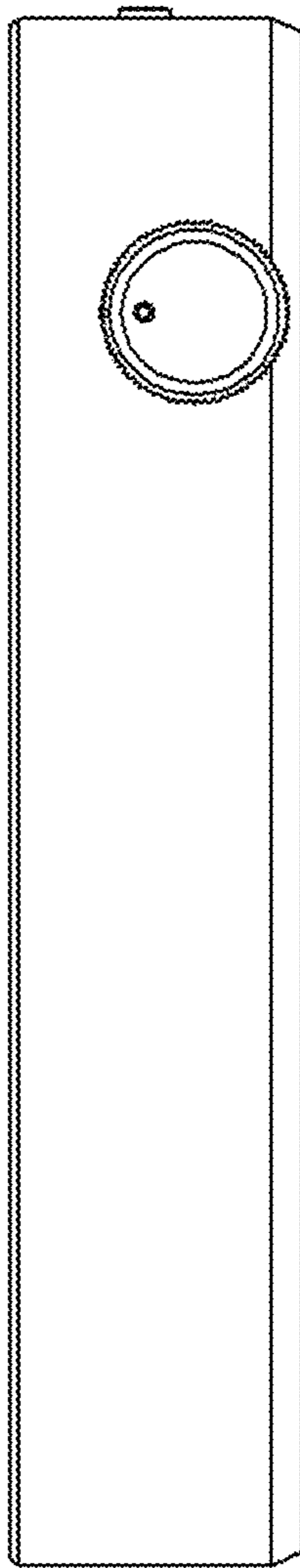


FIG. 5

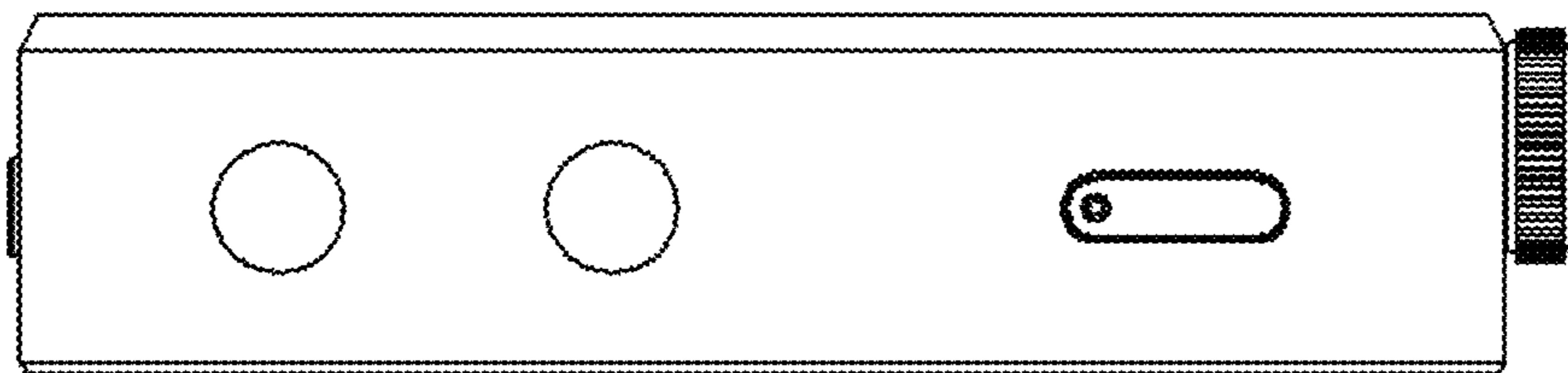


FIG. 6

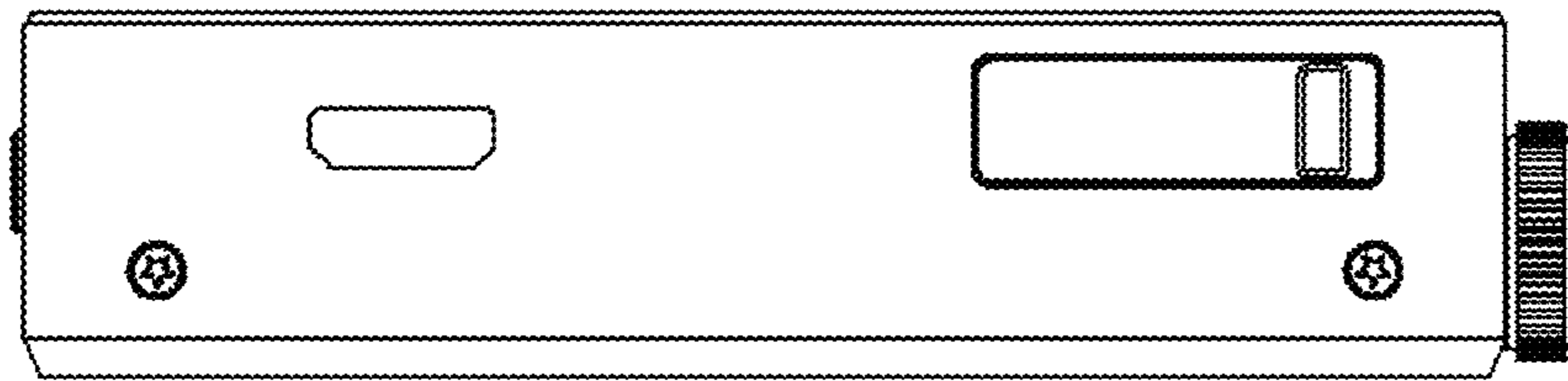


FIG. 7