



US00D699698S

(12) **United States Design Patent**
Jeon et al.

(10) **Patent No.:** **US D699,698 S**

(45) **Date of Patent:** **** Feb. 18, 2014**

(54) **TELEVISION RECEIVER**

(56) **References Cited**

(71) Applicant: **LG Electronics Inc.**, Seoul (KR)

U.S. PATENT DOCUMENTS

(72) Inventors: **Seongahn Jeon**, Seoul (KR); **Hyojin Won**, Seoul (KR)

D648,691 S *	11/2011	Tierney et al.	D14/126
D661,269 S *	6/2012	Lee et al.	D14/126
D671,513 S *	11/2012	Jang et al.	D14/126
D678,853 S *	3/2013	Kim et al.	D14/126
D684,132 S *	6/2013	Lee et al.	D14/126
D684,945 S *	6/2013	Kang et al.	D14/126
D690,675 S *	10/2013	Kim et al.	D14/126

(73) Assignee: **LG Electronics Inc.**, Seoul (KR)

(**) Term: **14 Years**

* cited by examiner

(21) Appl. No.: **29/460,041**

Primary Examiner — Raphael Barkai

(22) Filed: **Jul. 8, 2013**

(74) *Attorney, Agent, or Firm* — Morgan, Lewis & Bockius LLP

(30) **Foreign Application Priority Data**

Jan. 7, 2013 (KR) 30-2013-0001043

(51) **LOC (10) Cl.** **14-03**

(52) **U.S. Cl.**
USPC **D14/126**

(58) **Field of Classification Search**
USPC D14/125-134, 239, 371, 136, 374-377,
D14/440, 450, 448, 336, 342, 159; 312/7.2;
348/836, 838, 180, 184, 325, 739;
341/12; 248/917-924, 465; 345/104,
345/133, 156, 168, 87, 173; 720/605, 669,
720/600, 655; 369/99, 197; D21/329, 515,
D21/577, 622, 333, 433, 448, 452, 450, 331,
D21/505; D6/477, 479, 300; 273/148 B;
446/484, 175, 356; D10/15, 26

See application file for complete search history.

(57) **CLAIM**
The ornamental design for a television receiver, as shown and described.

DESCRIPTION

FIG. 1 is a perspective view of a television receiver showing our new design;
FIG. 2 is a front view thereof;
FIG. 3 is a rear view thereof;
FIG. 4 is a left side view thereof;
FIG. 5 is a right side view thereof;
FIG. 6 is a top plan view thereof;
FIG. 7 is a bottom plan view thereof;
FIG. 8 is a rear perspective view thereof; and,
FIG. 9 is an enlarged view taken along line 1-1'/2-2'/3-3'/4-4' of FIG. 4.
The broken lines are for illustrative purposes only and form no part of the claimed design.

1 Claim, 8 Drawing Sheets

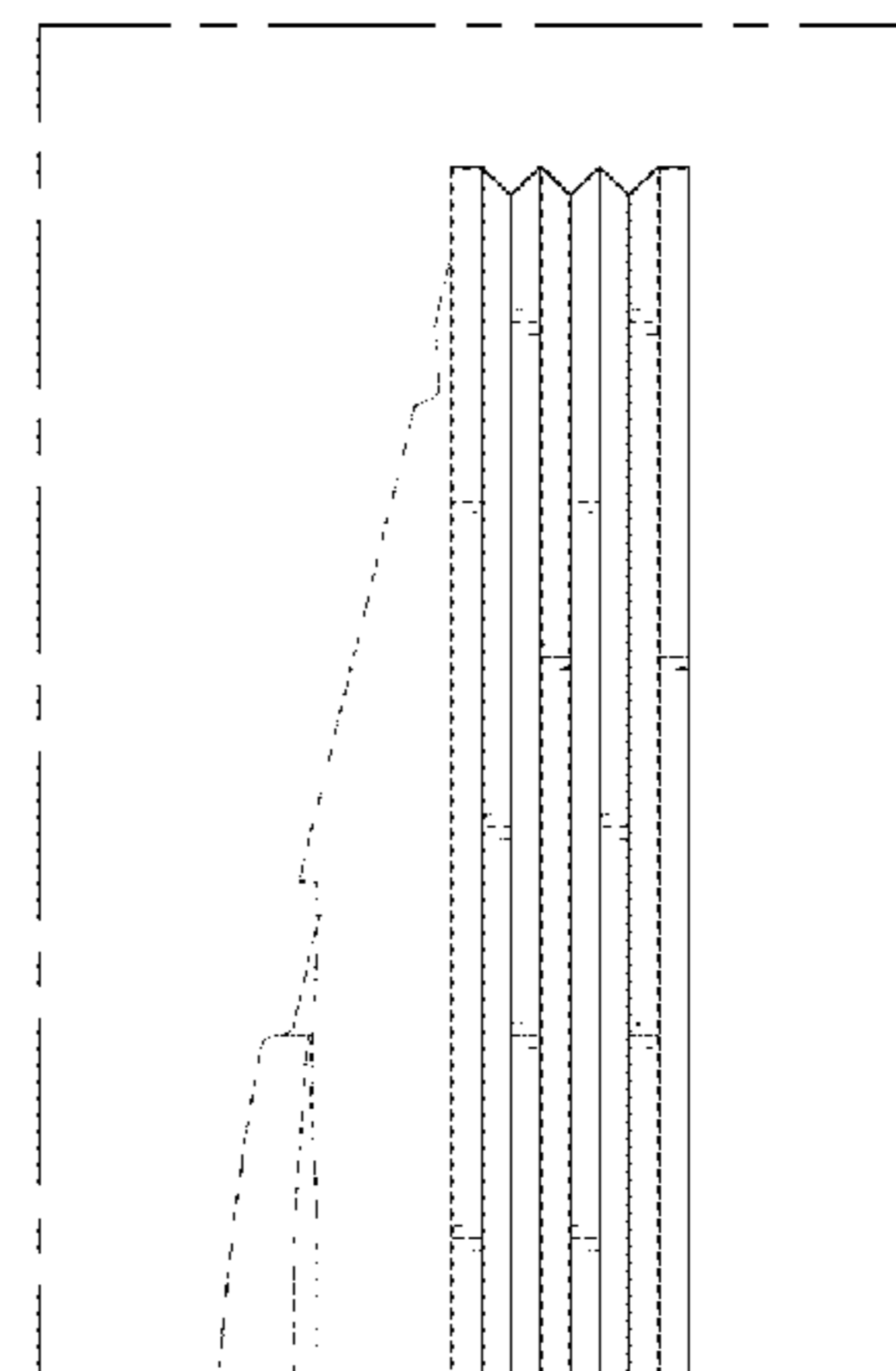
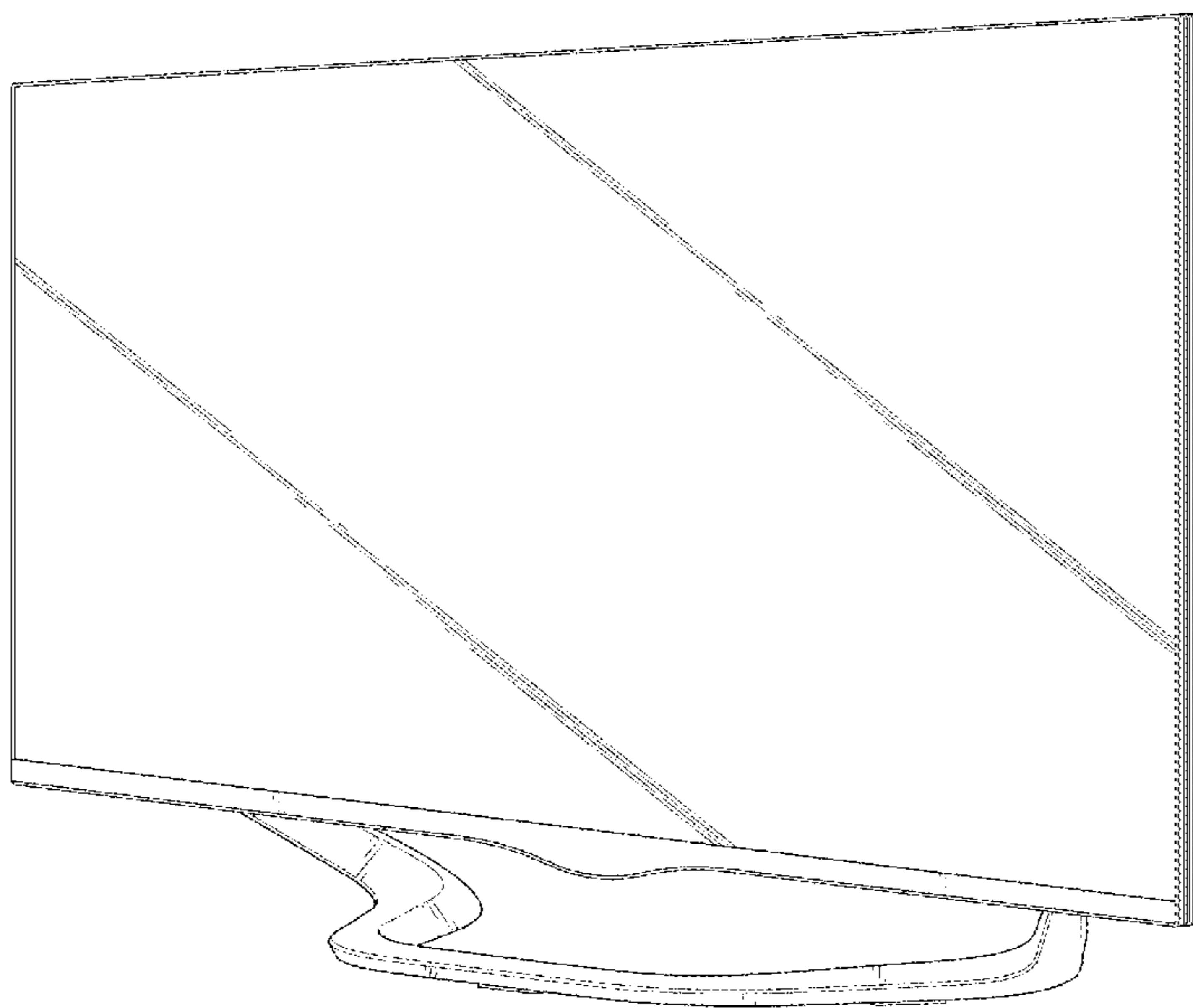


FIG. 1

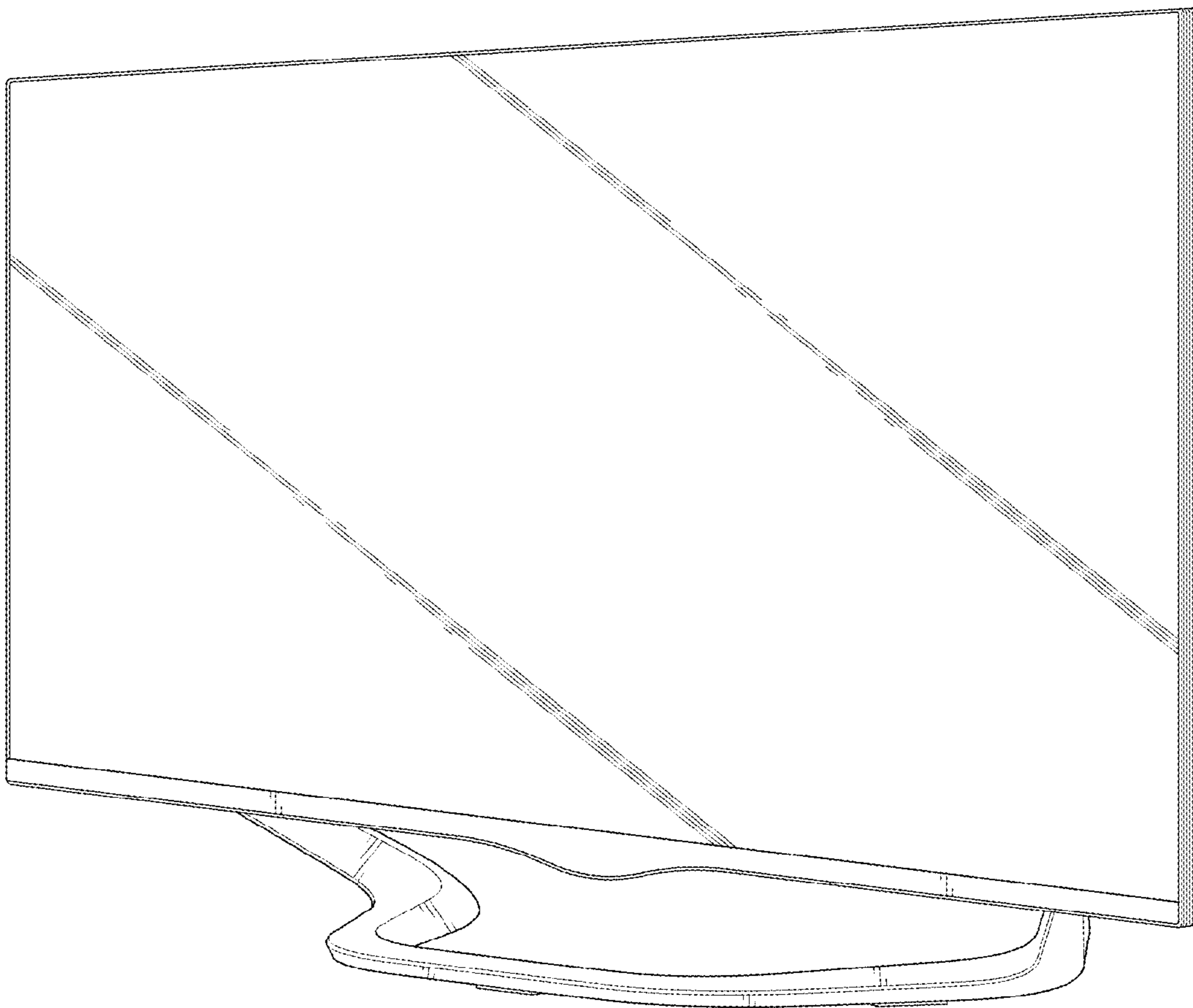


FIG. 2

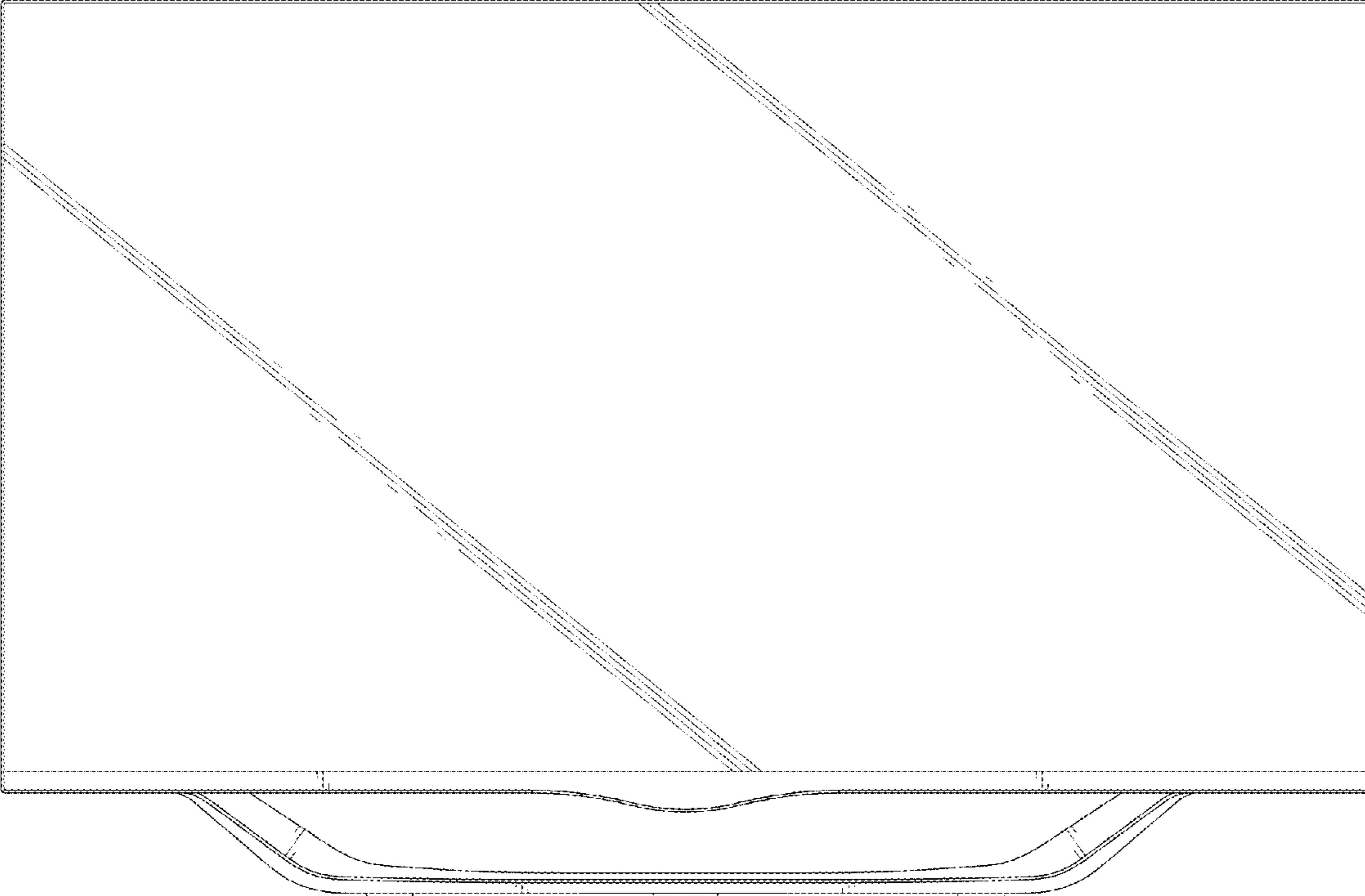


FIG. 3

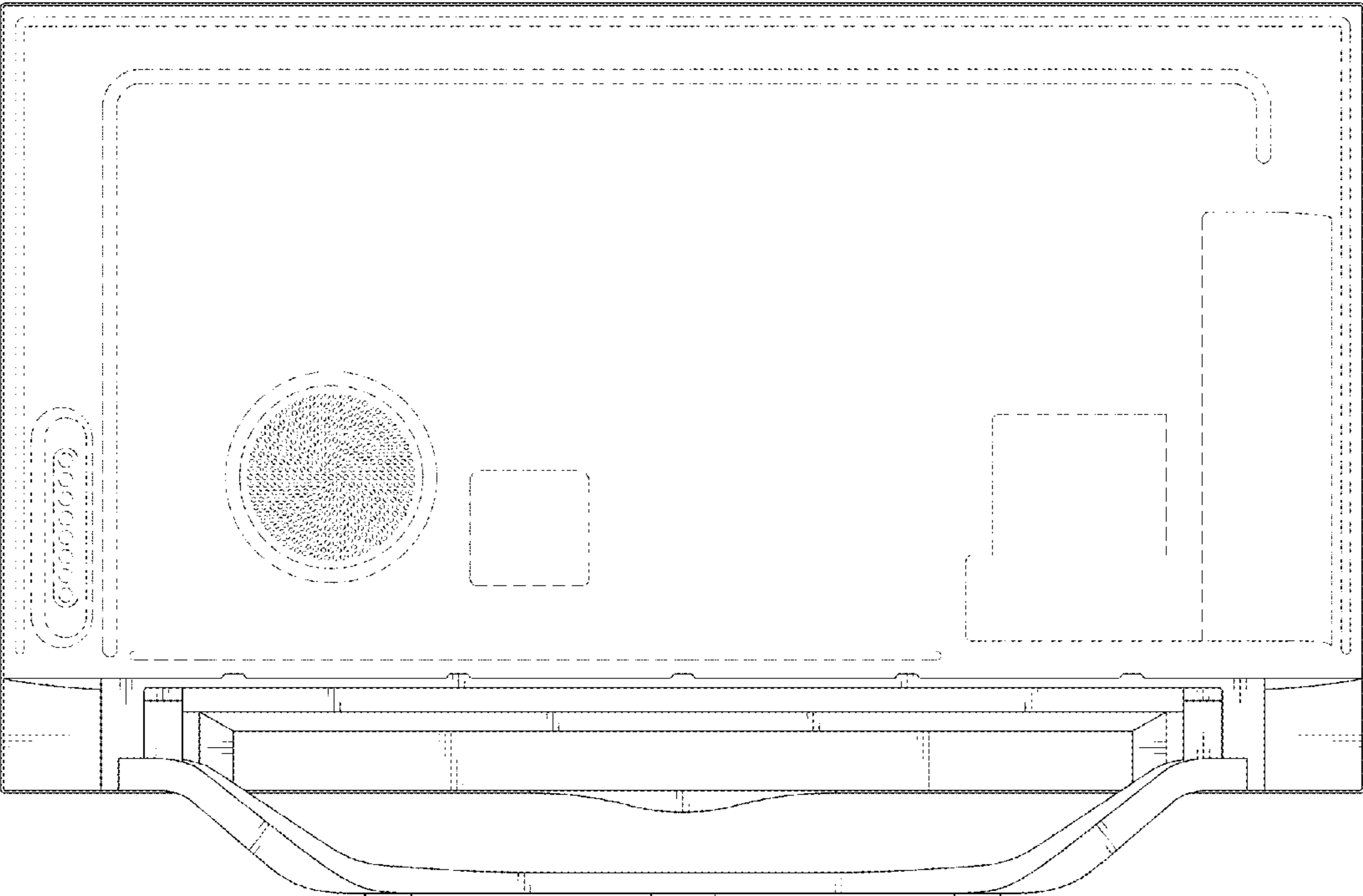


FIG. 4

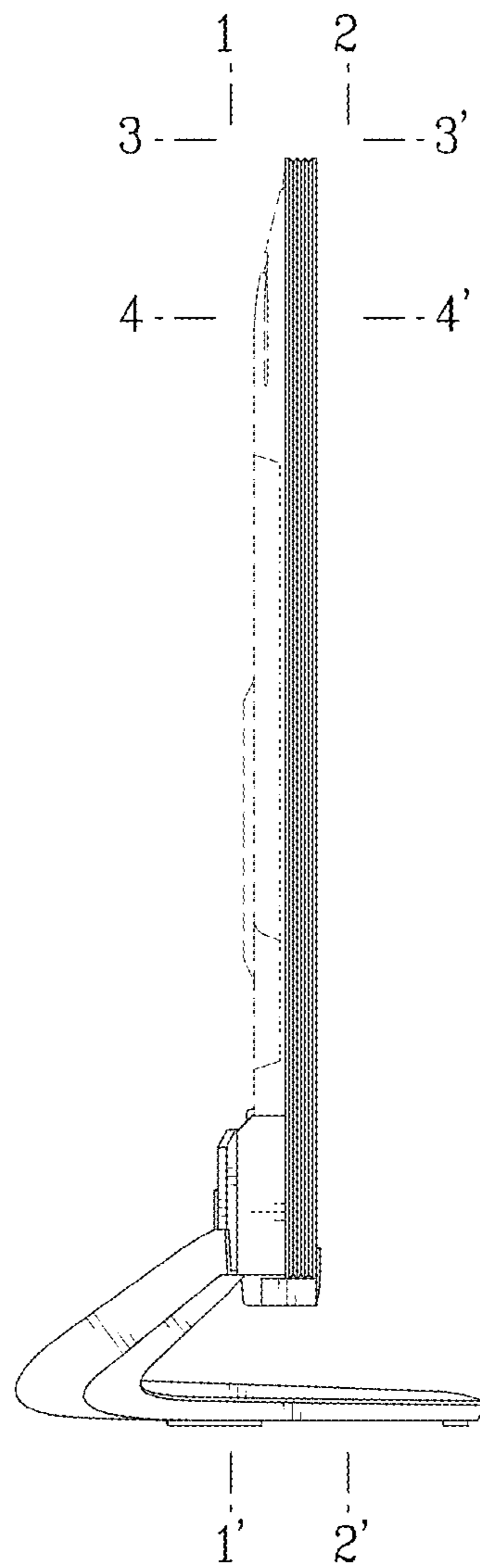


FIG. 5

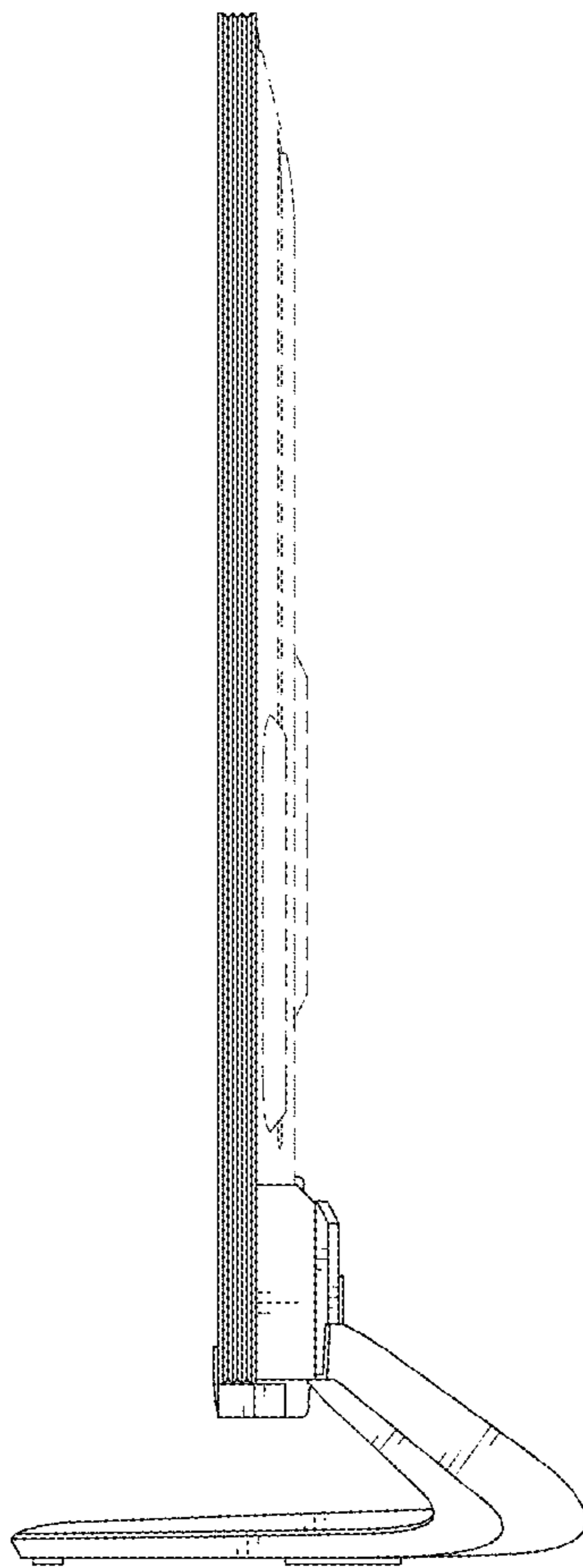


FIG. 6

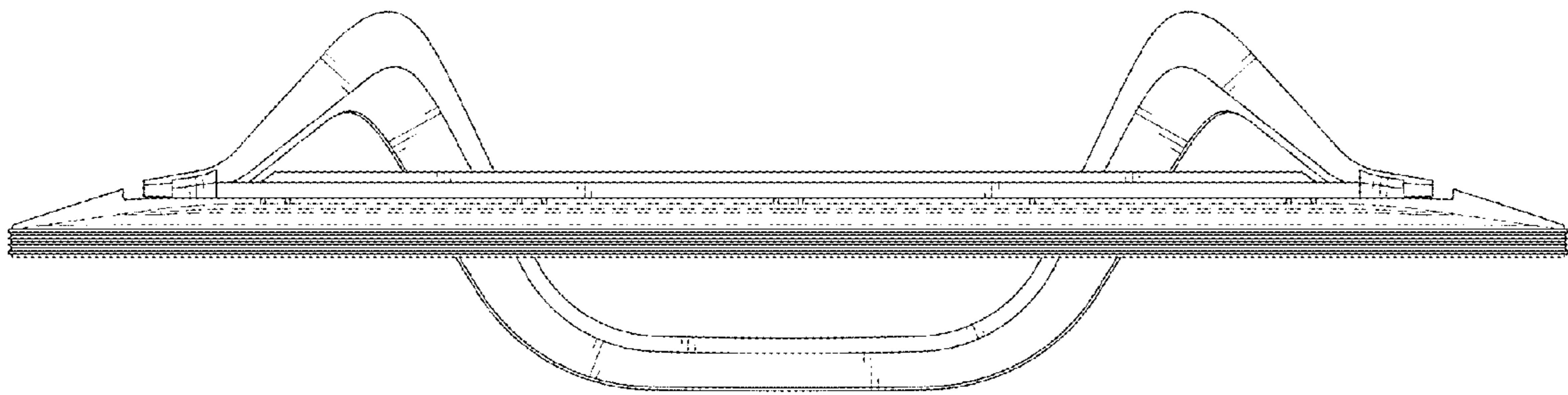


FIG. 7

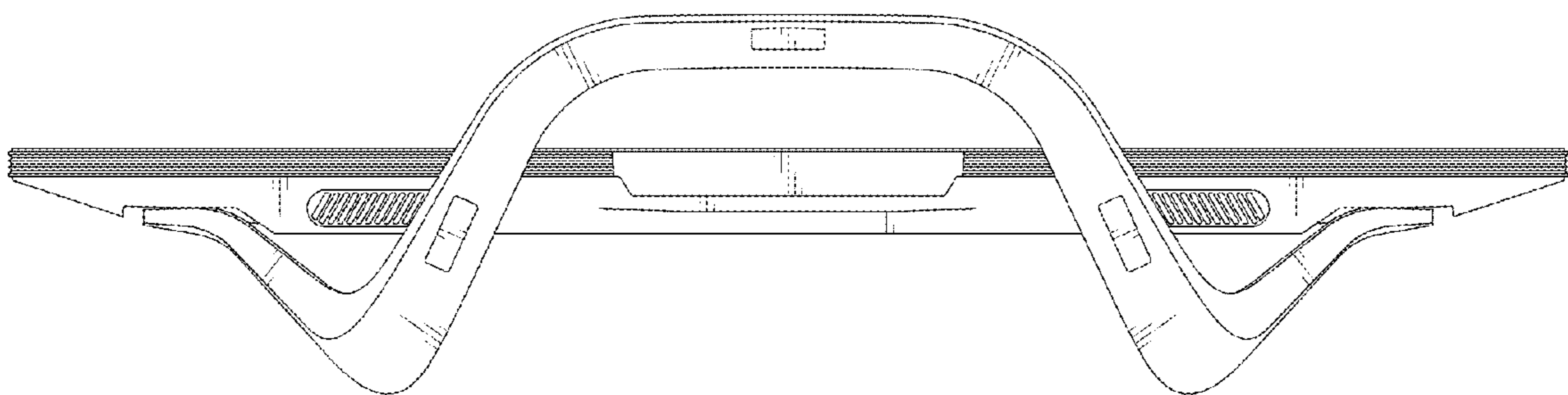


FIG. 8

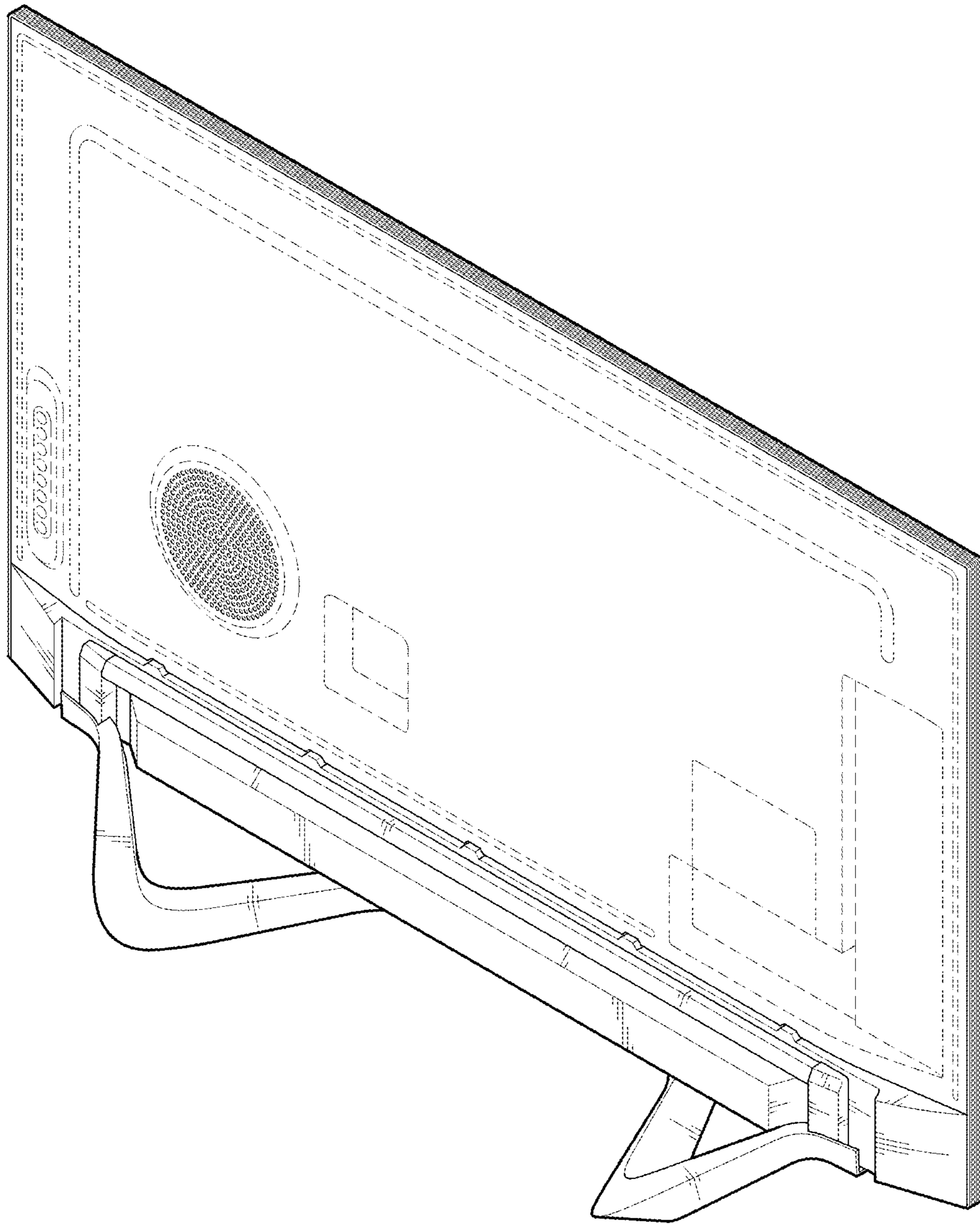


FIG. 9

