



US00D699697S

(12) **United States Design Patent**  
**Moon et al.**

(10) **Patent No.:** **US D699,697 S**

(45) **Date of Patent:** **\*\* Feb. 18, 2014**

(54) **TELEVISION RECEIVER**

(71) Applicant: **Samsung Electronics Co., Ltd.**,  
Suwon-si (KR)

(72) Inventors: **Sin-Wi Moon**, Seogwipo-Si (KR);  
**Kyoung-Hoon Kim**, Sungnam-Si (KR)

(73) Assignee: **Samsung Electronics Co., Ltd.**,  
Suwon-si (KR)

(\*\*) Term: **14 Years**

(21) Appl. No.: **29/459,840**

(22) Filed: **Jul. 3, 2013**

(30) **Foreign Application Priority Data**

Jan. 4, 2013 (KR) ..... 30-2013-0000633

(51) **LOC (10) Cl.** ..... **14-03**

(52) **U.S. Cl.**  
USPC ..... **D14/126**

(58) **Field of Classification Search**  
USPC ..... D14/125-134, 239, 371, 136, 374-377,  
D14/432, 450, 448, 336; 312/7.2; 348/836,  
348/838, 180, 184, 325, 739; 341/12;  
248/917-924, 465; 345/104, 133, 156,  
345/168, 87, 173; 720/605, 600; 369/197;  
455/344, 347; D21/329, 515, 333;  
D6/300, 512; 273/148 B; D10/15, 26  
See application file for complete search history.

(56) **References Cited**

**U.S. PATENT DOCUMENTS**

D472,552 S *	4/2003	Borsboom et al.	.....	D14/375
D533,522 S *	12/2006	Gibby	.....	D14/126
D534,139 S *	12/2006	Yokota	.....	D14/126
D534,508 S *	1/2007	Yamada	.....	D14/126
D571,325 S *	6/2008	Fujiki	.....	D14/128
D572,678 S *	7/2008	Fujiki	.....	D14/126
D582,917 S *	12/2008	Wada	.....	D14/371
D585,401 S *	1/2009	Otani	.....	D14/126
D684,132 S *	6/2013	Lee et al.	.....	D14/126

\* cited by examiner

*Primary Examiner* — Randall Gholson

(74) *Attorney, Agent, or Firm* — NSIP Law

(57) **CLAIM**

The ornamental design for a television receiver, as shown and described.

**DESCRIPTION**

FIG. 1 is a perspective view of a television receiver, showing our new design;

FIG. 2 is a front view thereof;

FIG. 3 is a rear view thereof;

FIG. 4 is a left-side view thereof;

FIG. 5 is a right-side view thereof;

FIG. 6 is a top plan view thereof;

FIG. 7 is a bottom plan view thereof;

FIG. 8 is rear perspective view thereof;

FIG. 9 is a partial enlarged view of the portion encircled in FIG. 1;

FIG. 10 is a partial enlarged view of the portion encircled in FIG. 1;

FIG. 11 is a partial enlarged view of the portion encircled in FIG. 2;

FIG. 12 is a partial enlarged view of the portion encircled in FIG. 3;

FIG. 13 is a partial enlarged view of the portion encircled in FIG. 8;

FIG. 14 is another right side view thereof showing the design in an alternate stand position; and,

FIG. 15 is another right side view thereof showing the design for a television receiver in another alternate position.

The broken lines show unclaimed subject matter and form no part of the claimed design. The dot-dash broken lines encircling portions of the claimed design that are illustrated in enlargements form no part of the claimed design. The shade lines in the figures show contour and not surface ornamentation. The diagonal lines in FIGS. 1 and 2 represent reflective surfaces.

**1 Claim, 12 Drawing Sheets**

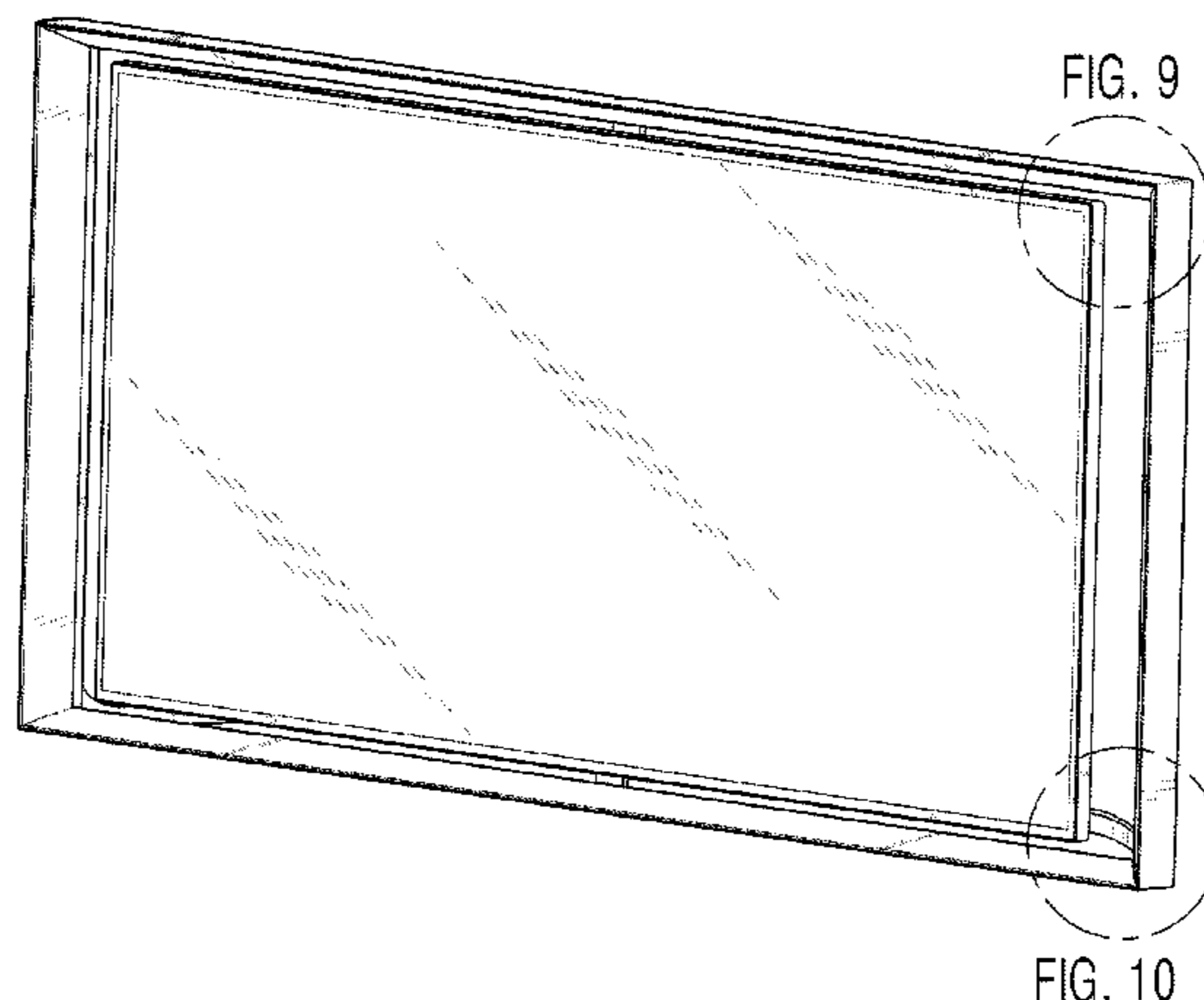


FIG. 1

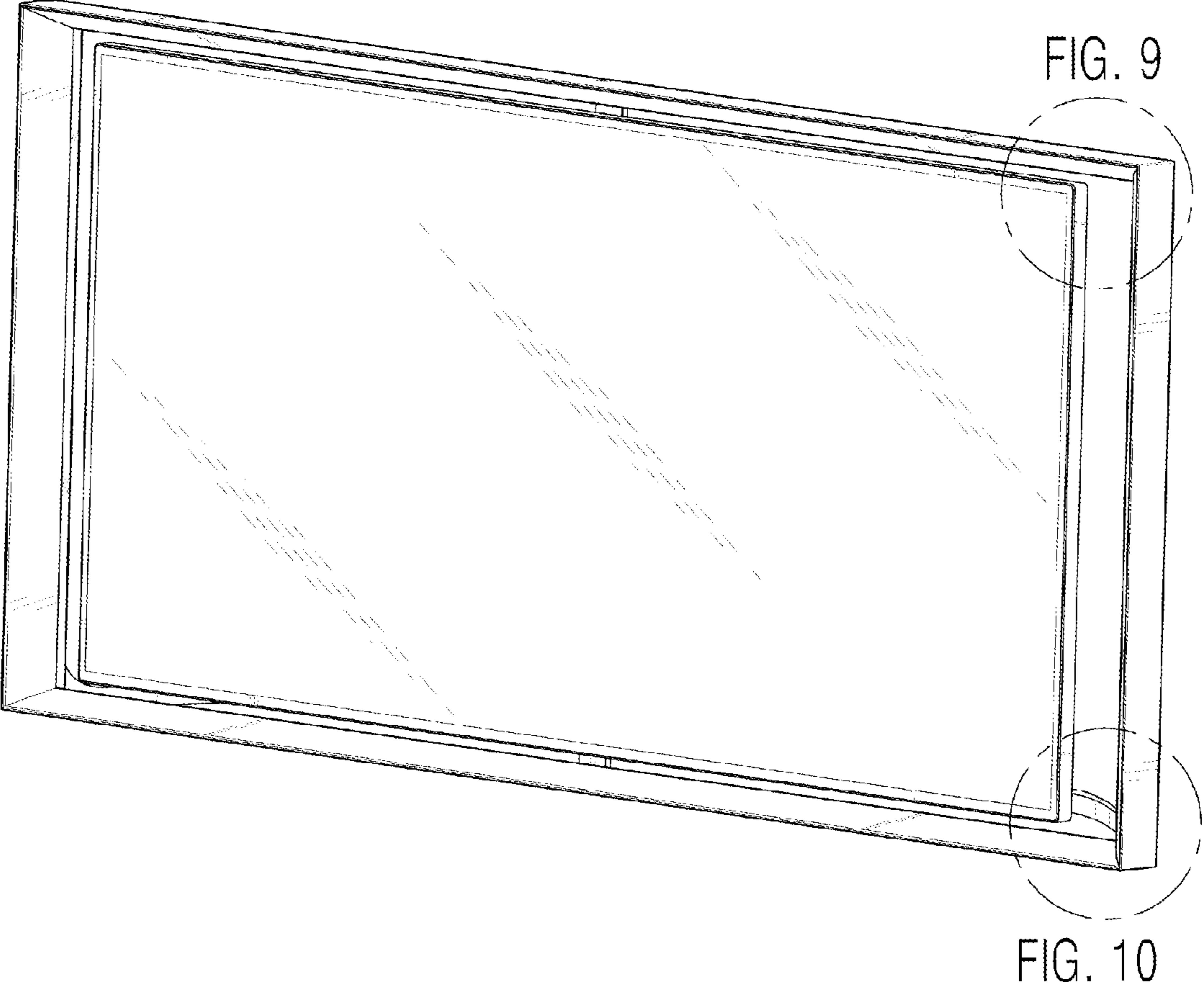


FIG. 2

FIG. 11

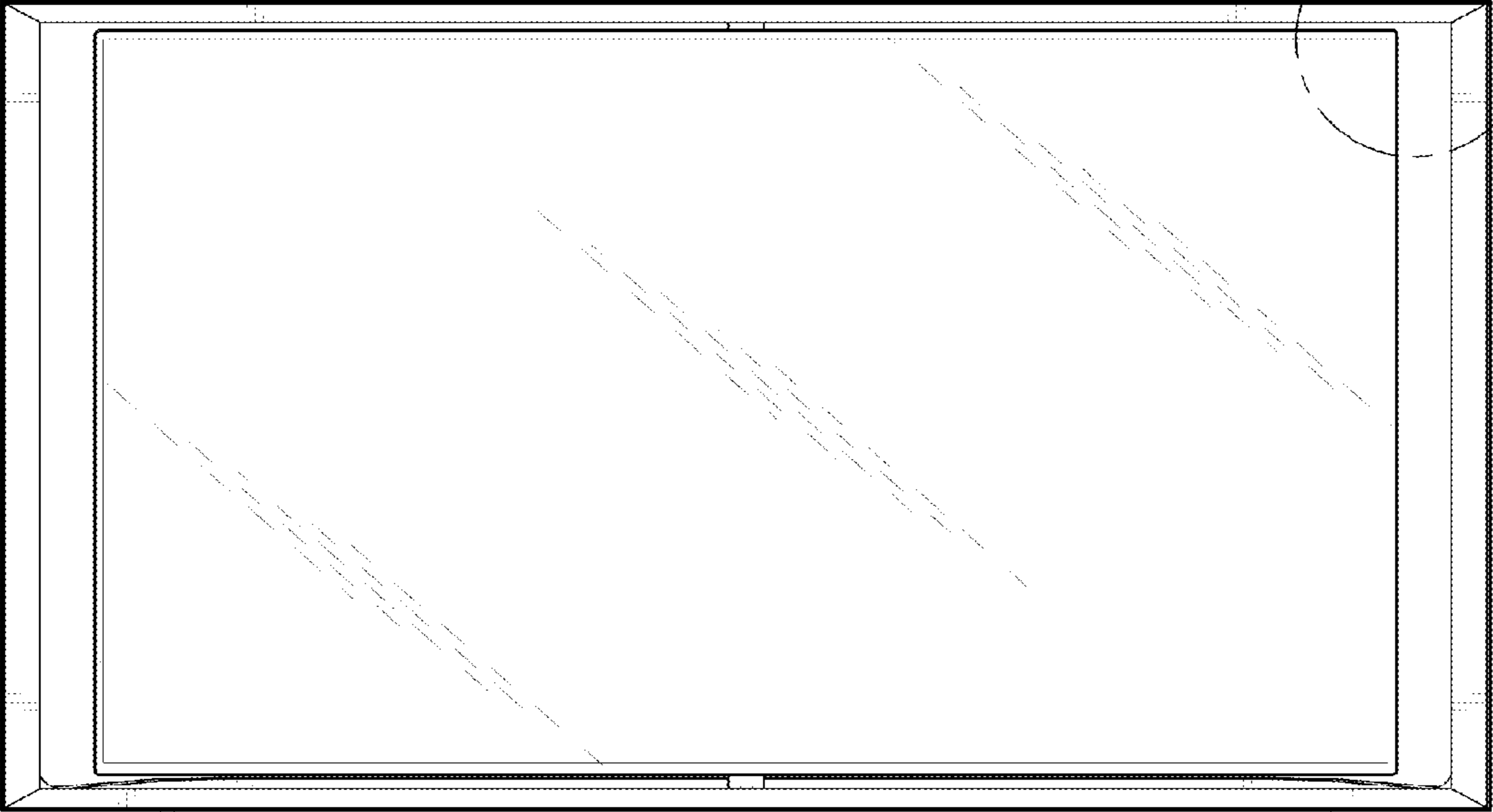


FIG. 3

FIG. 12

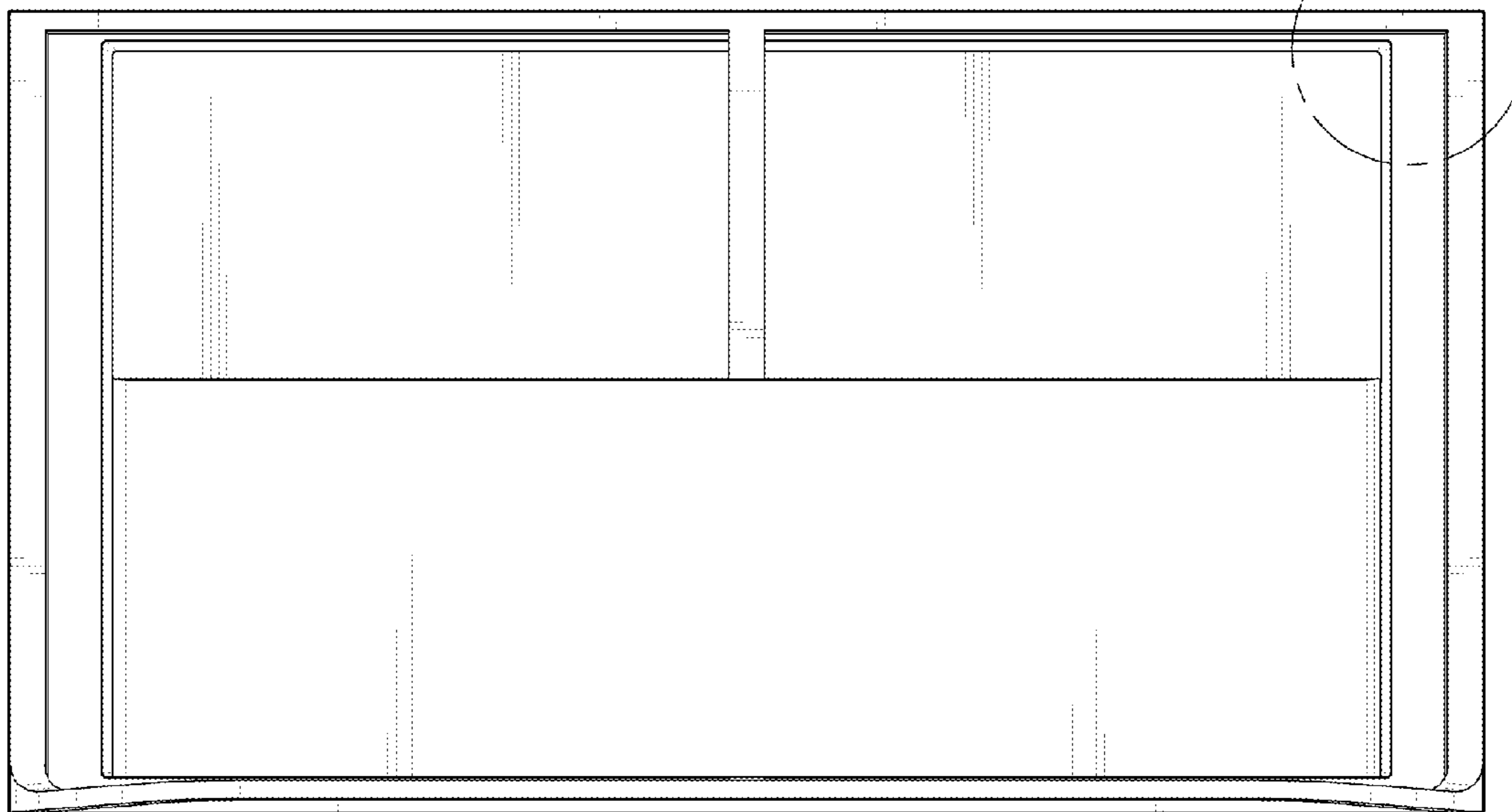


FIG. 4

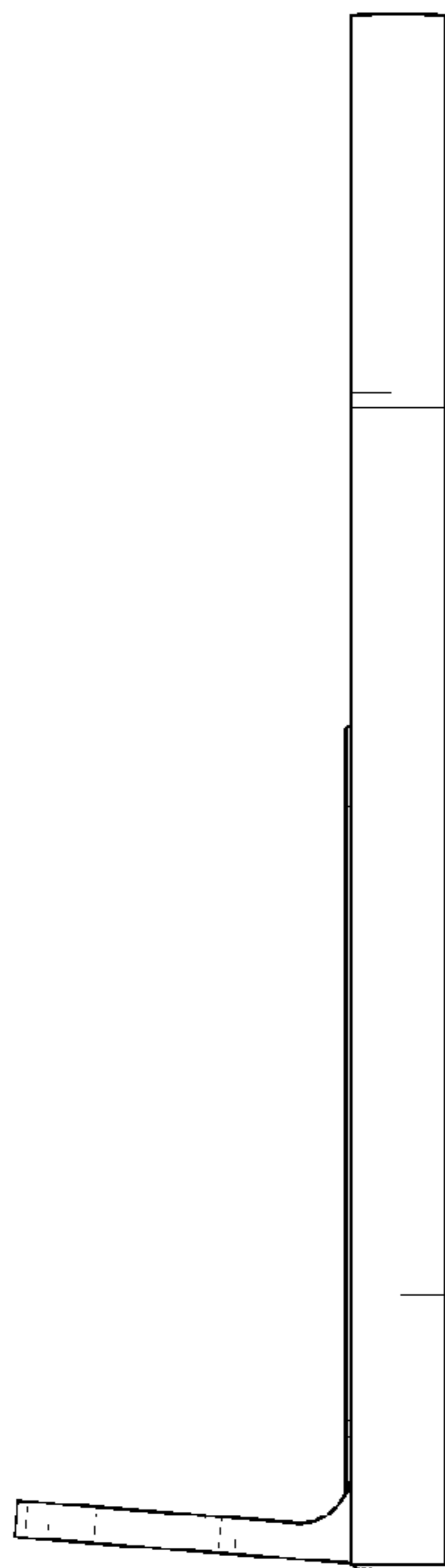


FIG. 5

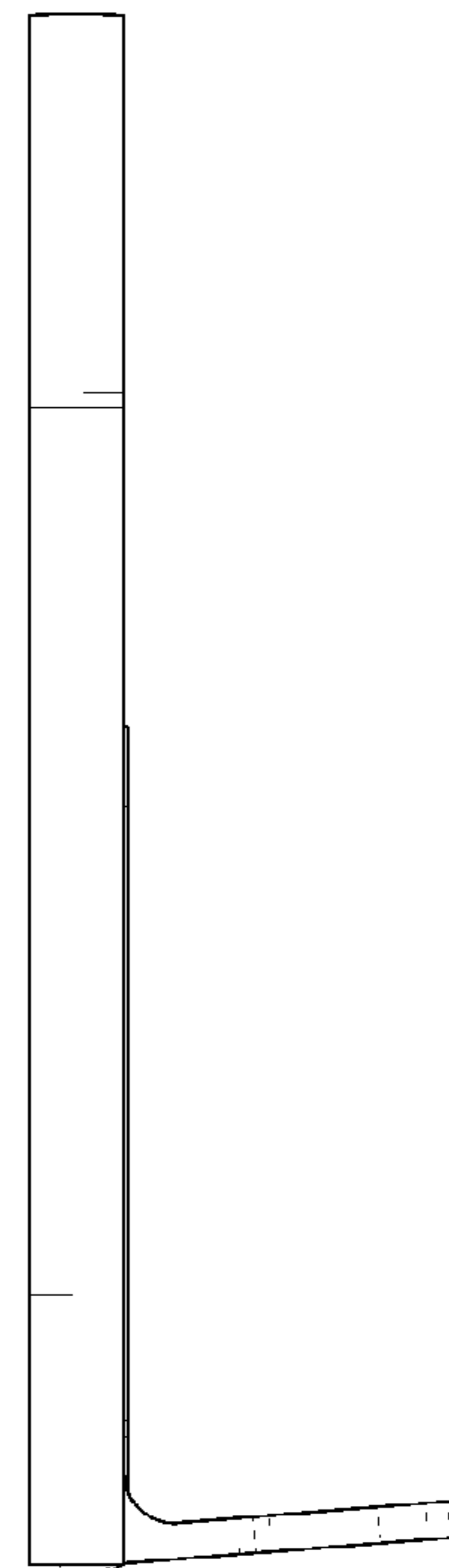


FIG. 6

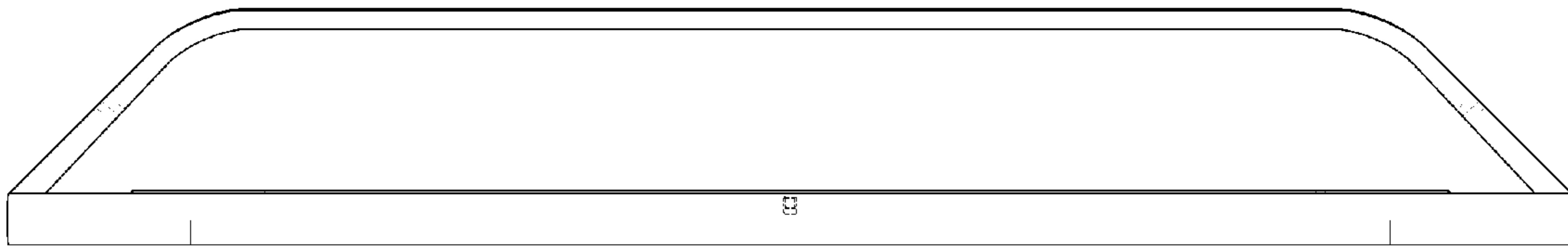


FIG. 7

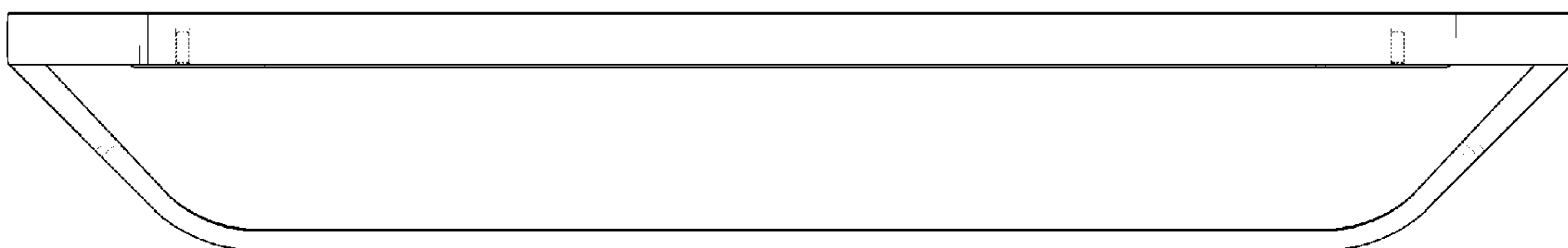


FIG. 8

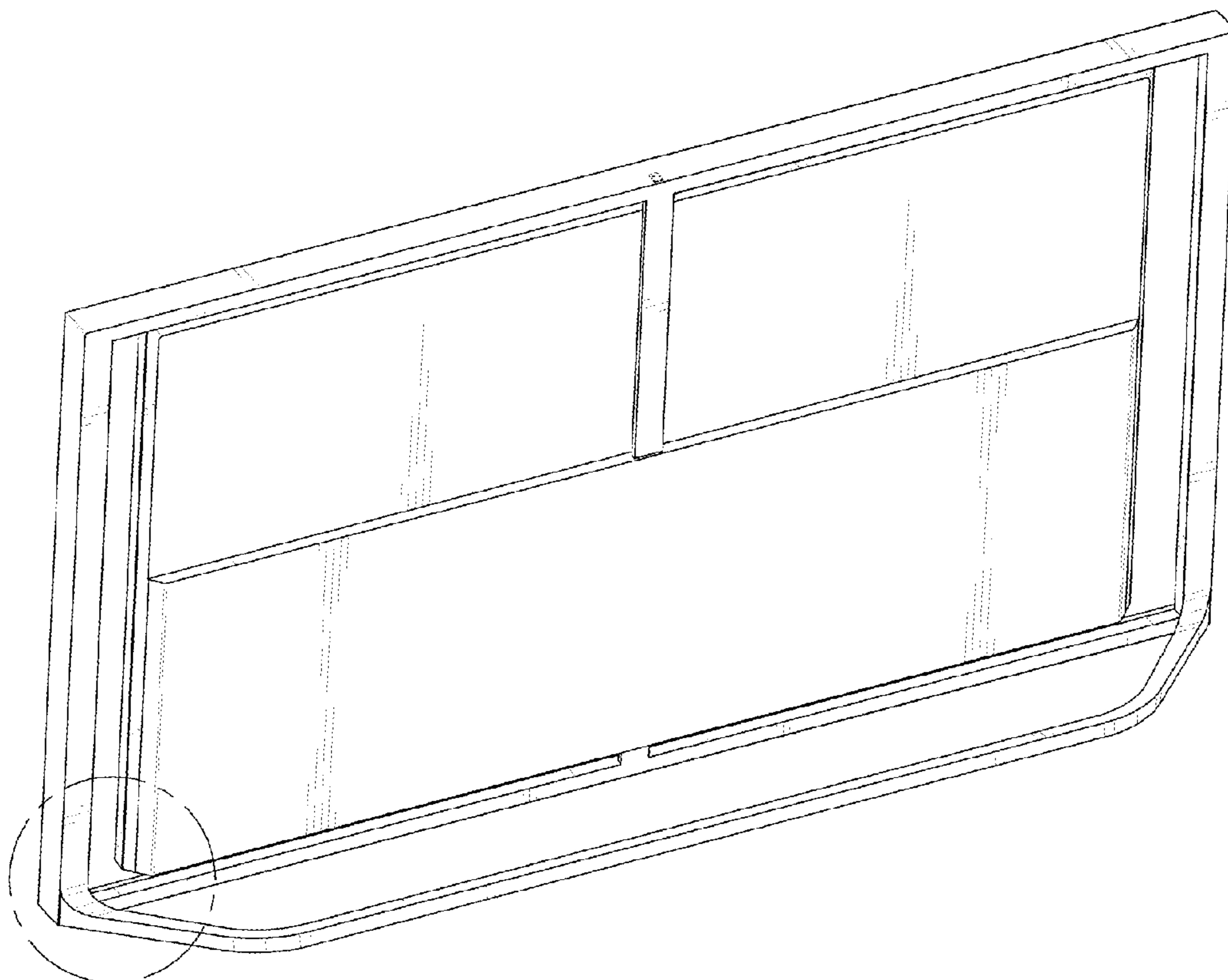


FIG. 13

FIG. 9

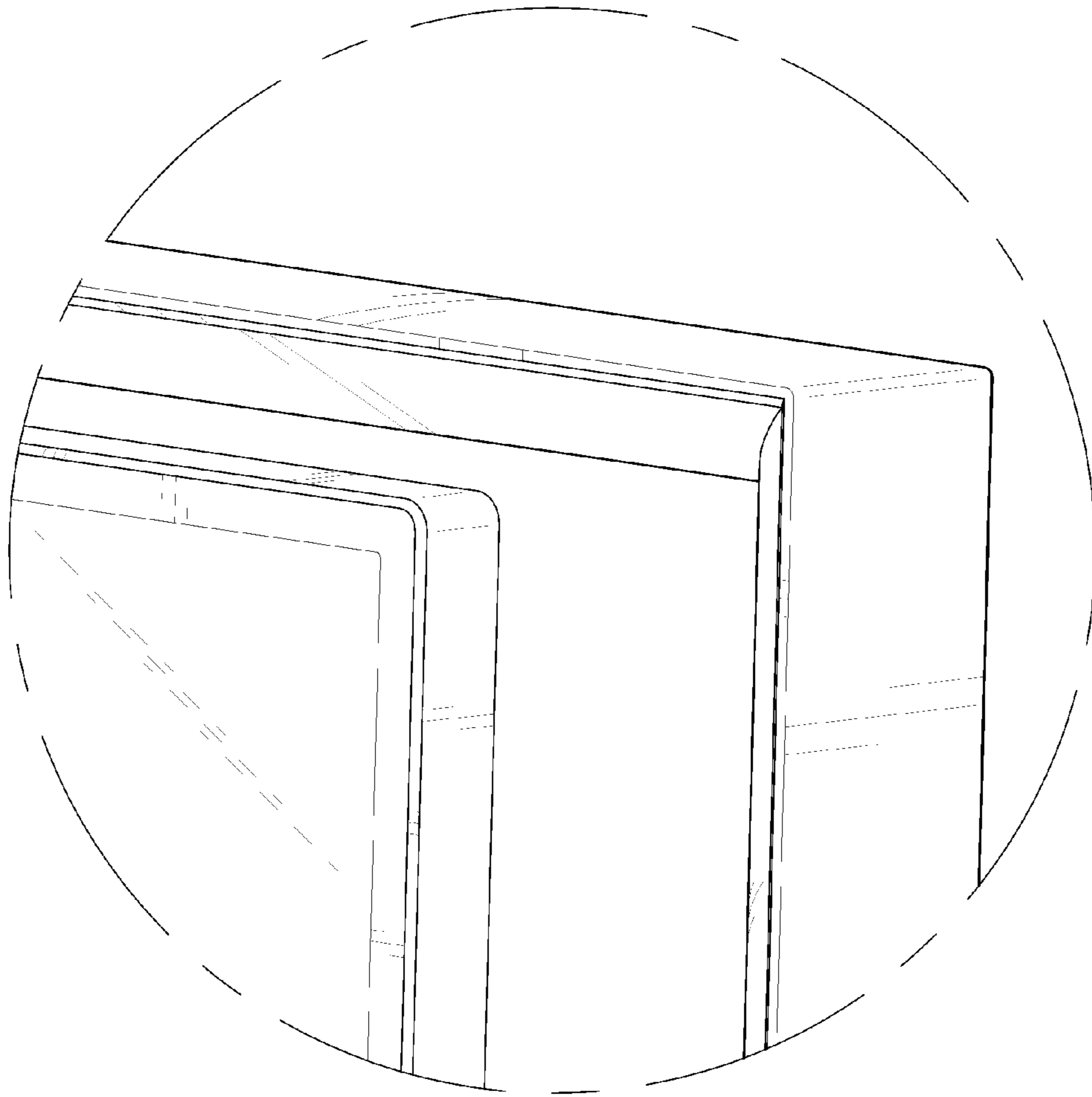




FIG. 10

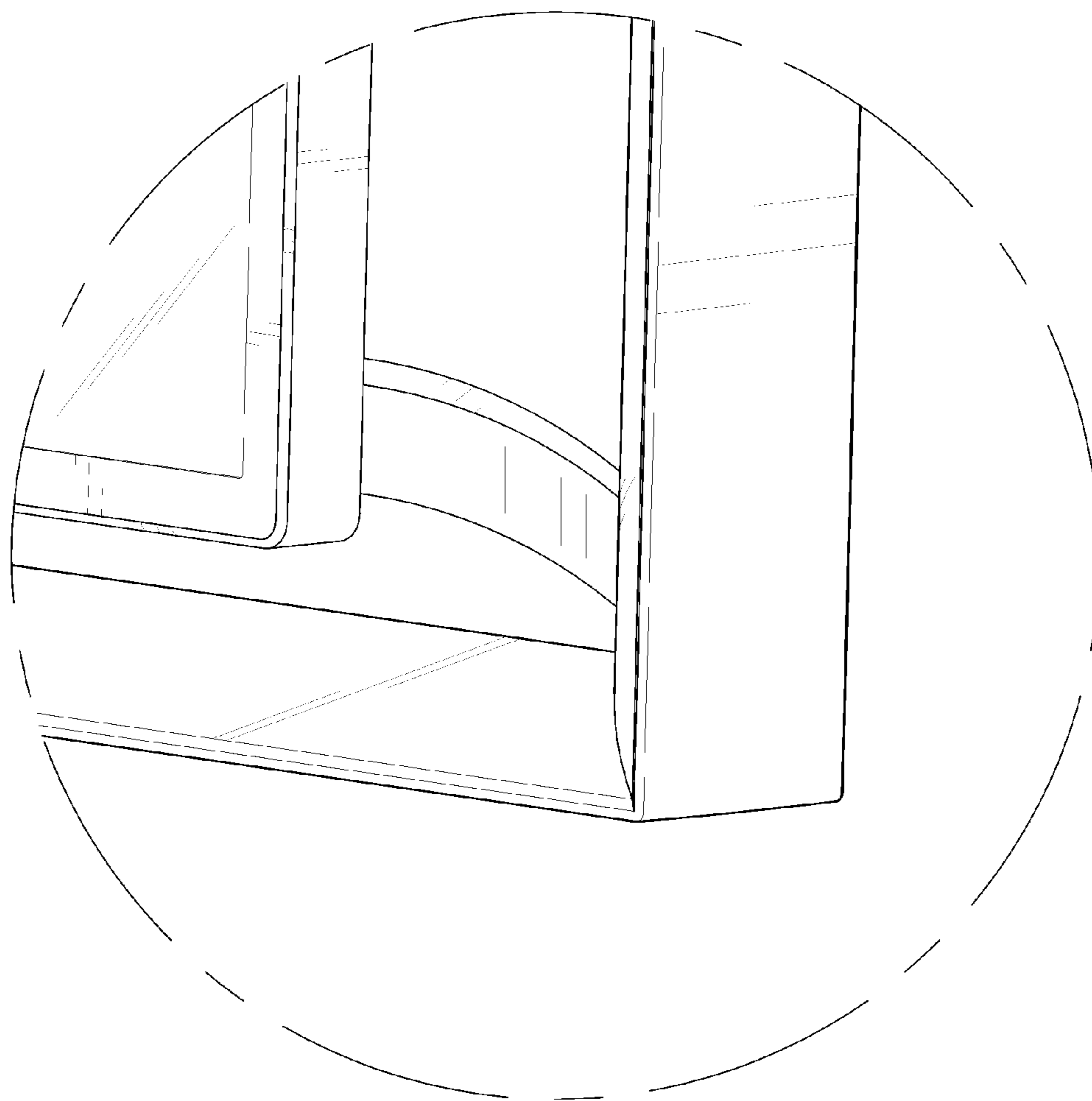


FIG. 11

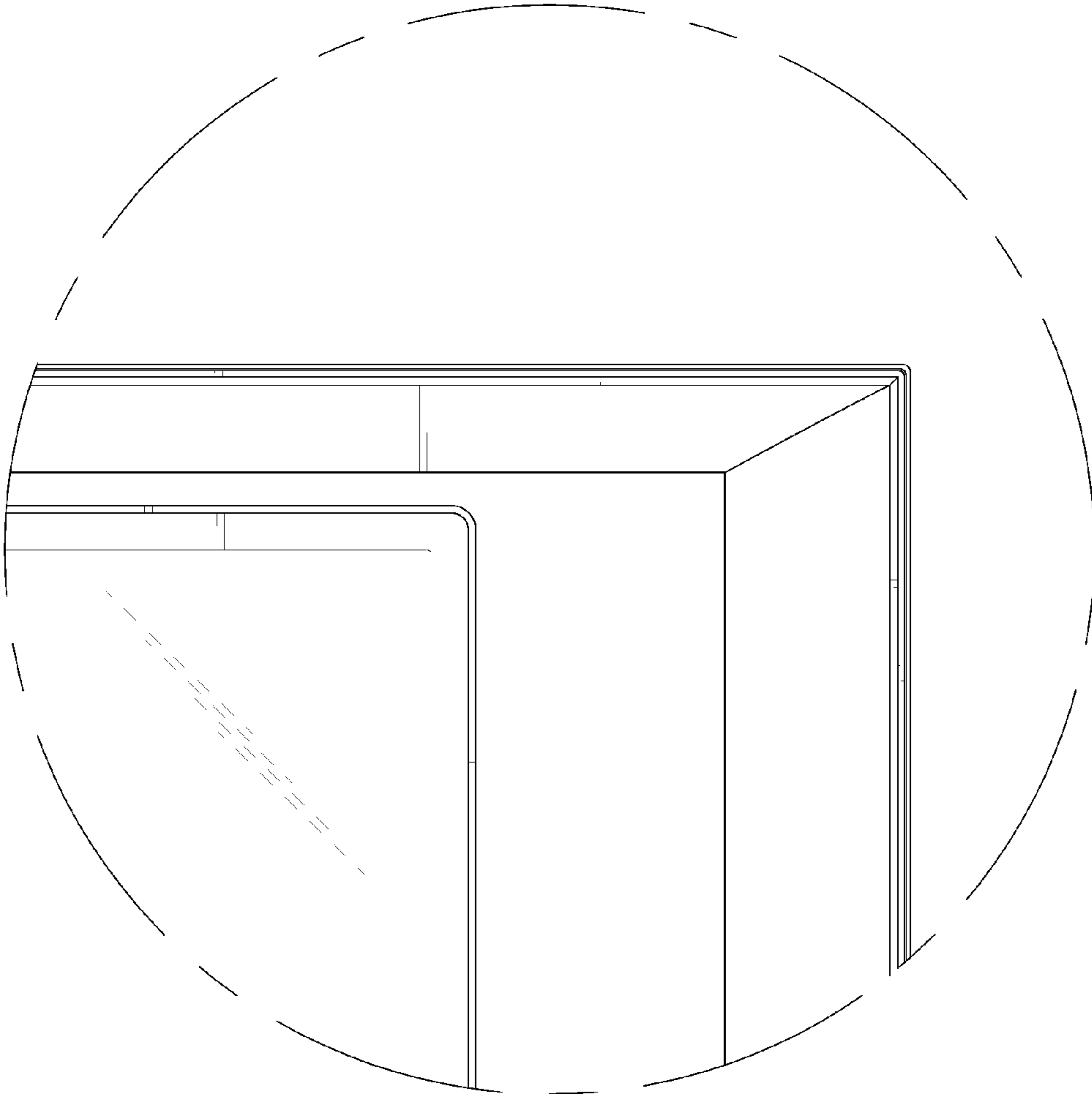


FIG. 12

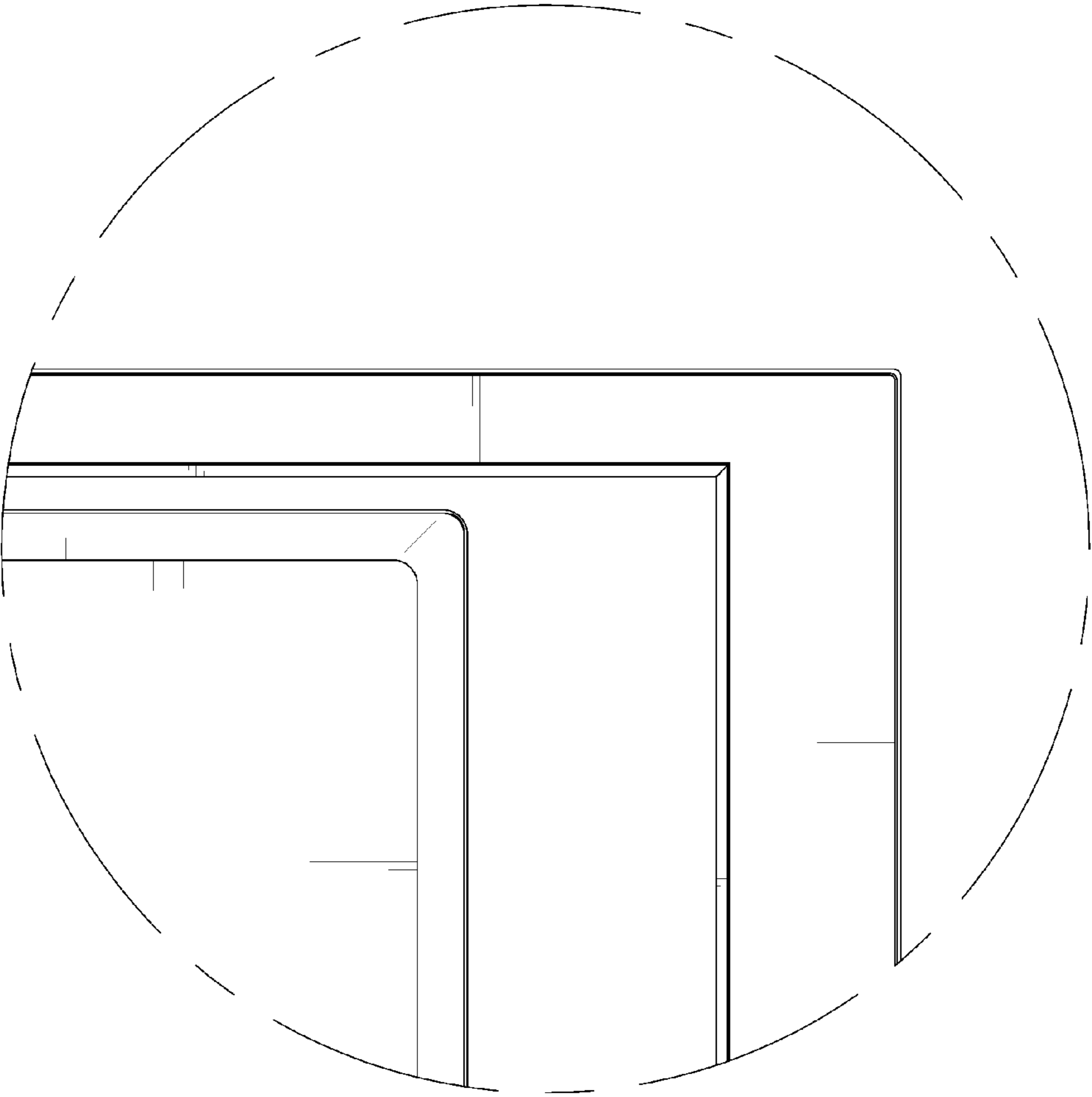


FIG. 13

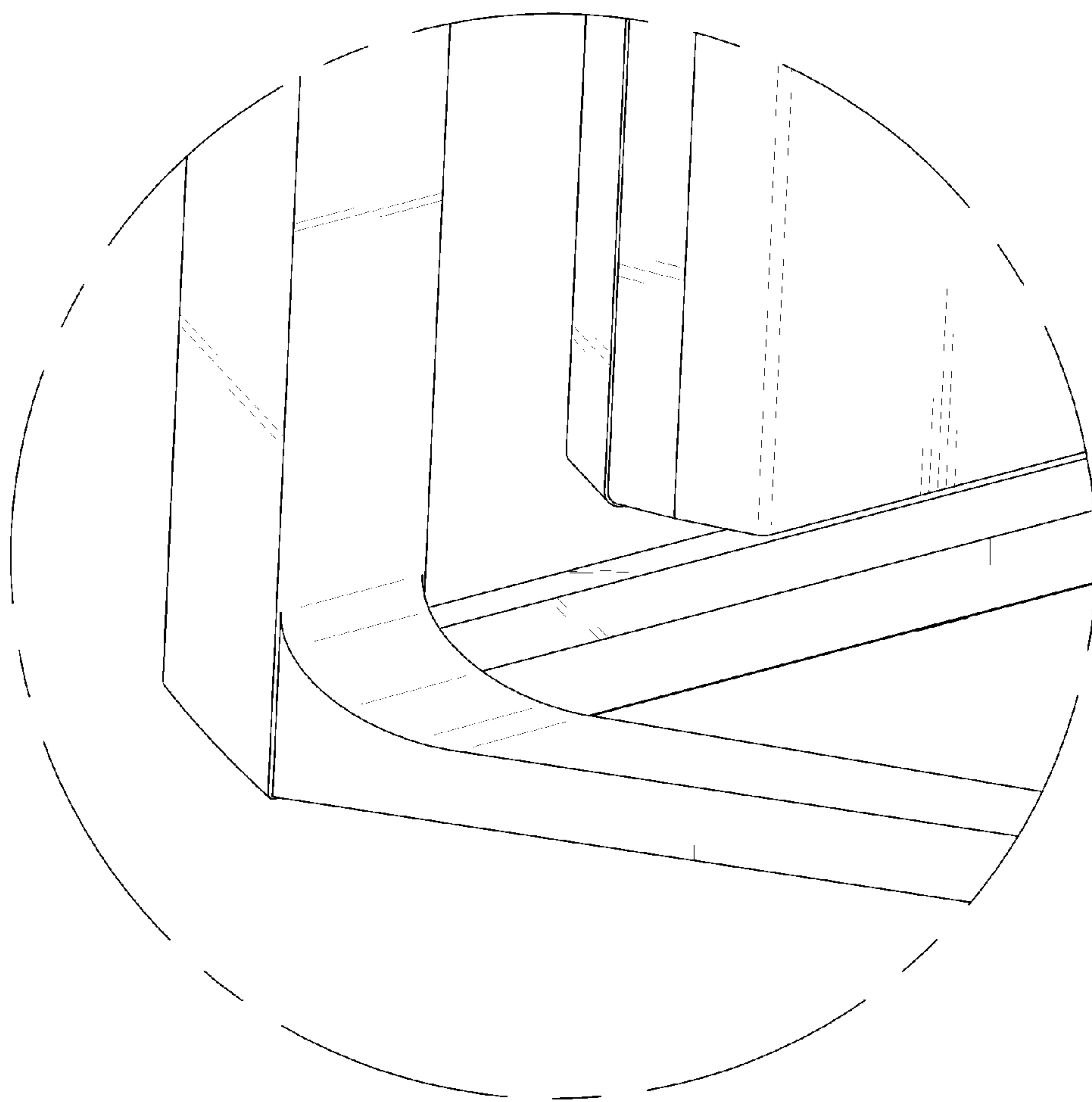


FIG. 14

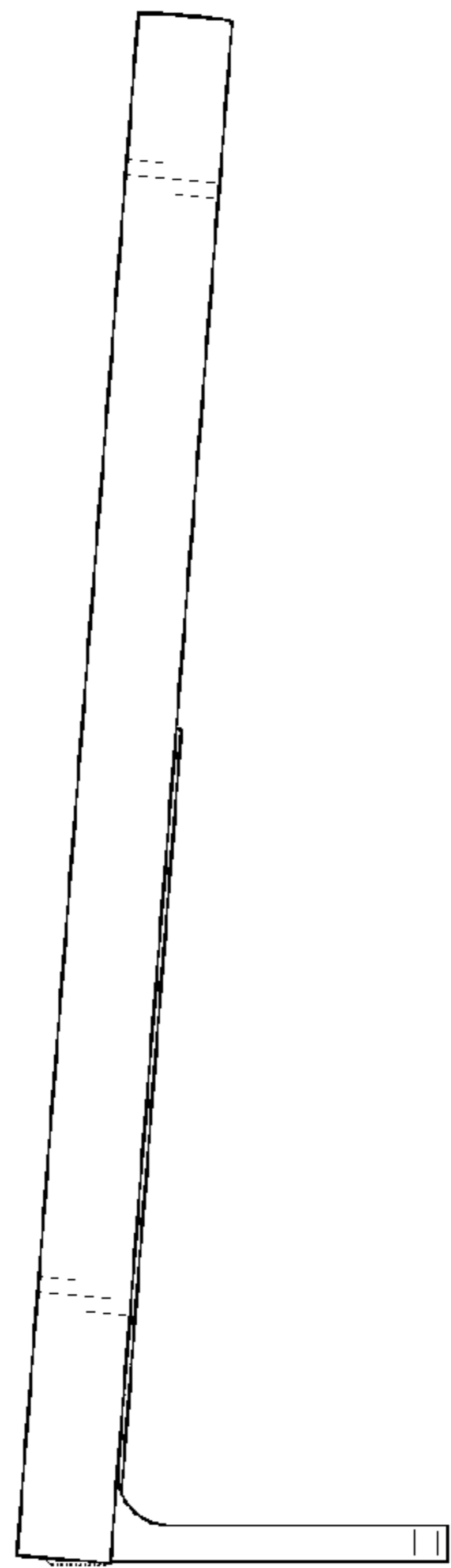


FIG. 15

