



US00D699696S

(12) **United States Design Patent**
Kim et al.

(10) **Patent No.:** **US D699,696 S**
(45) **Date of Patent:** **** Feb. 18, 2014**

(54) **TELEVISION RECEIVER**
(71) Applicant: **LG Electronics Inc.**, Seoul (KR)
(72) Inventors: **Junki Kim**, Seoul (KR); **Taeho Kim**,
Seoul (KR); **Dongwon Choi**, Seoul
(KR); **Kyoyoon Koo**, Seoul (KR)
(73) Assignee: **LG Electronics Inc.**, Seoul (KR)
(**) Term: **14 Years**
(21) Appl. No.: **29/450,997**
(22) Filed: **Mar. 27, 2013**

D635,976 S * 4/2011 Lee et al. D14/374
D638,013 S 5/2011 Andre et al.
D659,660 S * 5/2012 Kumano D14/126
D670,692 S 11/2012 Akana et al.
D671,938 S * 12/2012 Hsu et al. D14/341

(Continued)

FOREIGN PATENT DOCUMENTS

JP D1190838 11/2003
JP D1391282 6/2010

(Continued)

OTHER PUBLICATIONS

Community Design 890702-1, Television sets, Apr. 4, 2008; pp. 1-2.

(Continued)

(30) **Foreign Application Priority Data**
Sep. 28, 2012 (KR) 30-2012-0047024
(51) **LOC (10) Cl.** **14-03**
(52) **U.S. Cl.**
USPC **D14/126**
(58) **Field of Classification Search**
USPC D14/125-134, 239, 371, 136, 374-377,
D14/440, 450, 448, 336, 342, 159; 312/7.2;
348/836, 838, 180, 184, 325, 739;
341/12; 248/917-924, 465; 345/104,
345/133, 156, 168, 87, 173; 720/605, 669,
720/600, 655; 369/99, 197; D21/329, 515,
D21/577, 622, 333, 433, 448, 452, 450, 331,
D21/505; D6/477, 479, 300; 273/148 B;
446/484, 175, 356; D10/15, 26
See application file for complete search history.

Primary Examiner — Raphael Barkai
(74) *Attorney, Agent, or Firm* — Morgan, Lewis & Bockius
LLP

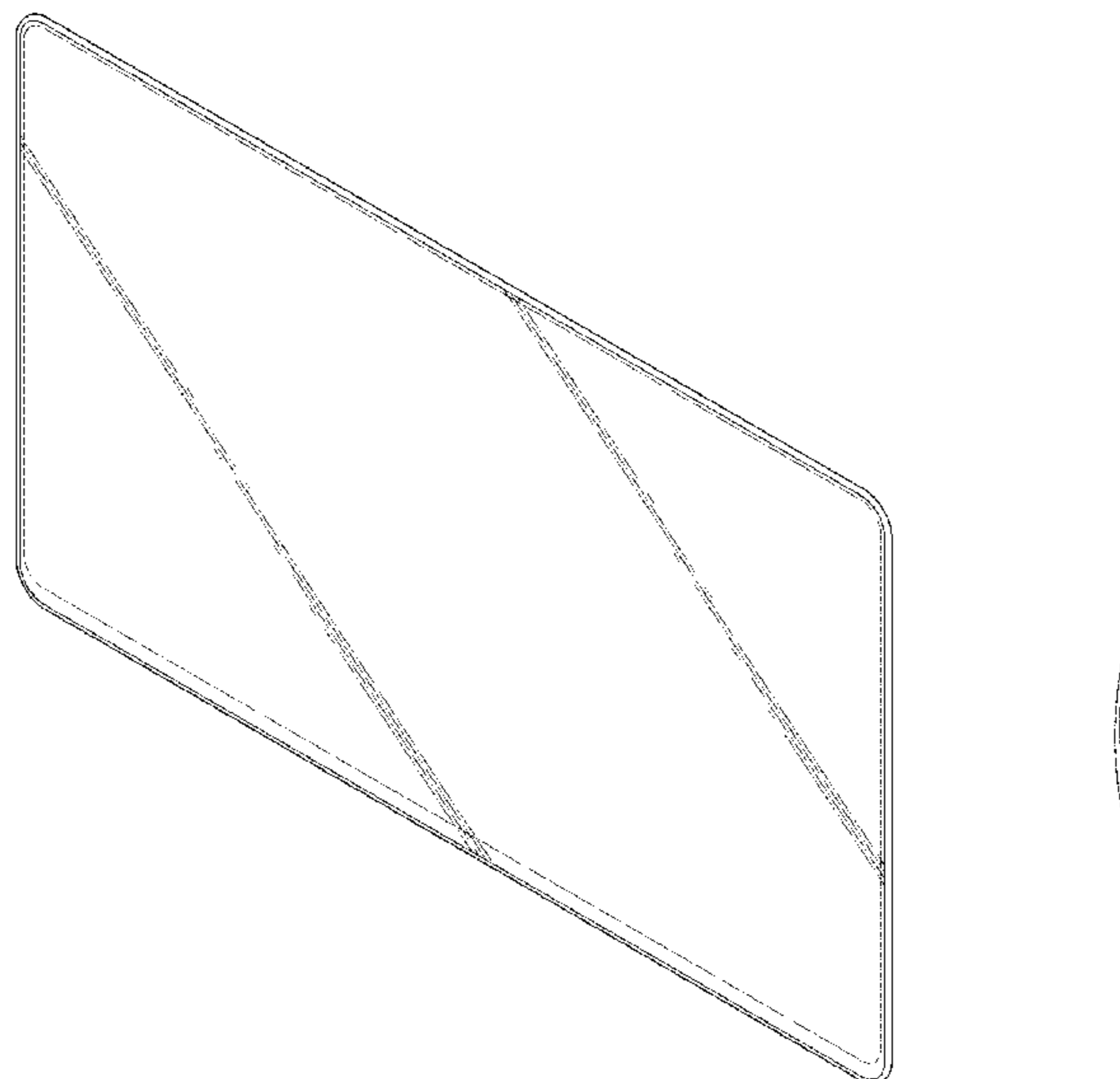
(57) **CLAIM**
The ornamental design for a television receiver, as shown and
described.

DESCRIPTION

FIG. 1 is a perspective view of a television receiver showing
our new design;
FIG. 2 is a front view thereof;
FIG. 3 is a rear view thereof;
FIG. 4 is a left side view thereof where the right side view is
a mirror image;
FIG. 5 is a top plan view thereof where the bottom plan view
is a mirror image;
FIG. 6 is a cross-sectional view taken along line A-A';
FIG. 7 is a cross-sectional view taken along line B-B'; and,
FIG. 8 is a rear perspective view thereof.

1 Claim, 8 Drawing Sheets

(56) **References Cited**
U.S. PATENT DOCUMENTS
D598,405 S 8/2009 Kuramashi
D609,705 S * 2/2010 Andre et al. D14/374
D630,210 S 1/2011 Andre et al.



(56)

References Cited

OTHER PUBLICATIONS

U.S. PATENT DOCUMENTS

D673,129 S * 12/2012 Kumano D14/126
D682,234 S * 5/2013 Lee et al. D14/126
D682,235 S * 5/2013 Lee et al. D14/126

FOREIGN PATENT DOCUMENTS

JP D1391859 7/2010
KR 30-0656098 8/2012
KR 30-0673953 12/2012

Community Design 1003412-1, Television receivers, Oct. 17, 2008,
pp. 1-2.

Community Design 1750100-1, Monitors, Jul. 12, 2011, pp. 1-2.

Community Design 2134551-1, Fake television sets, Nov. 30, 2012,
pp. 1-2.

Community Design 1802752-1, Monitors, Jan. 12, 2011, pp. 1-2.

* cited by examiner

FIG. 1

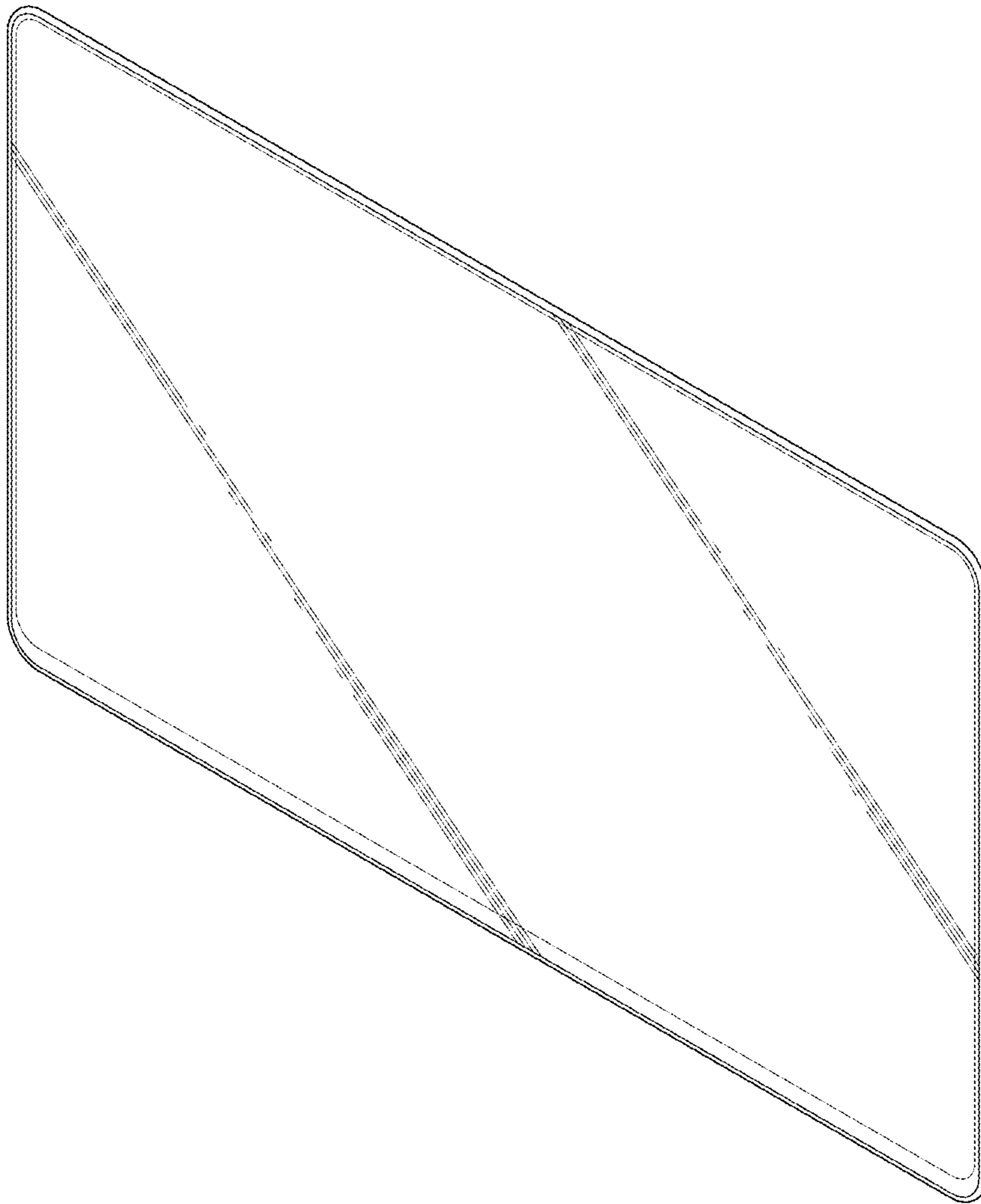


FIG. 2

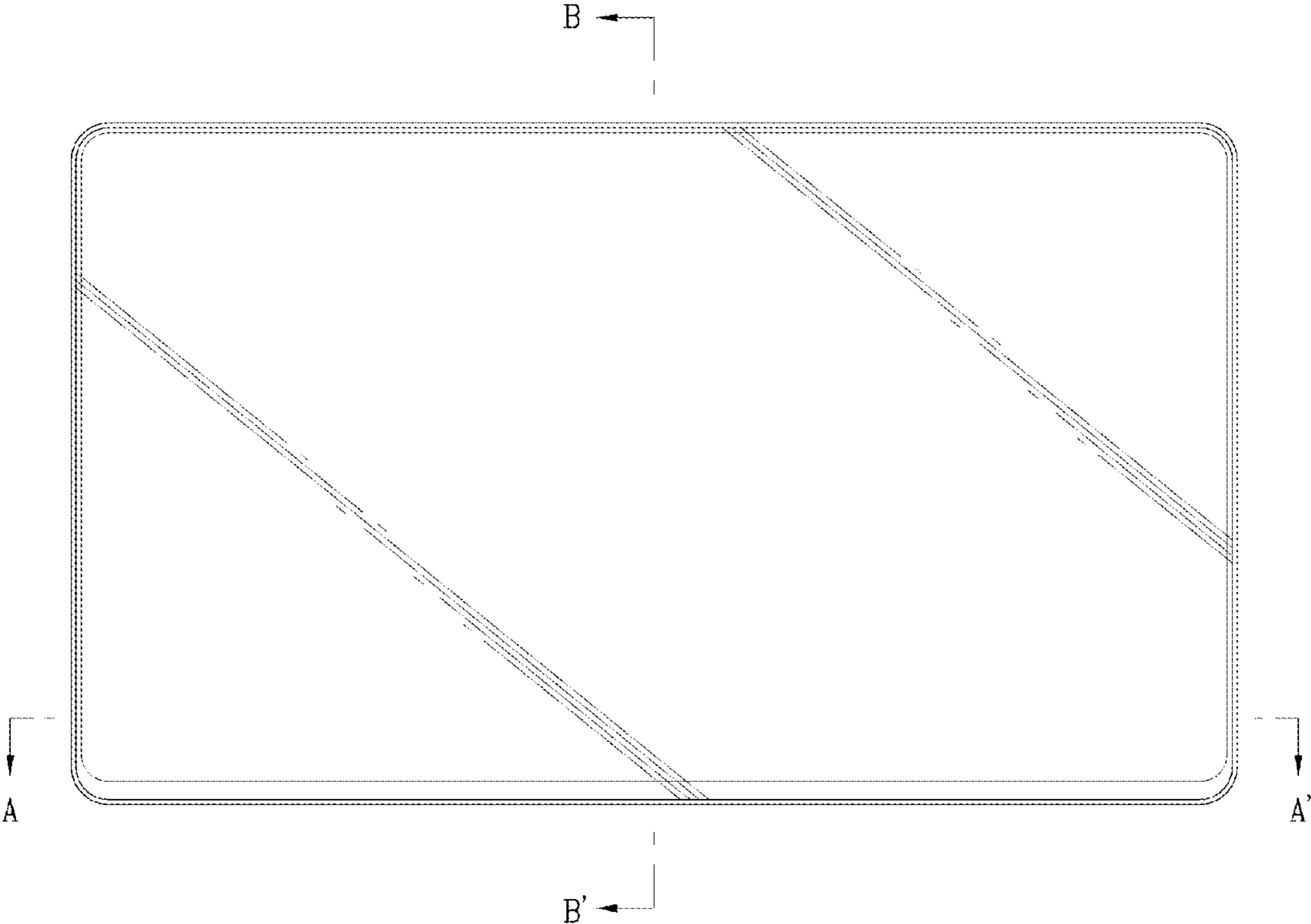


FIG. 3

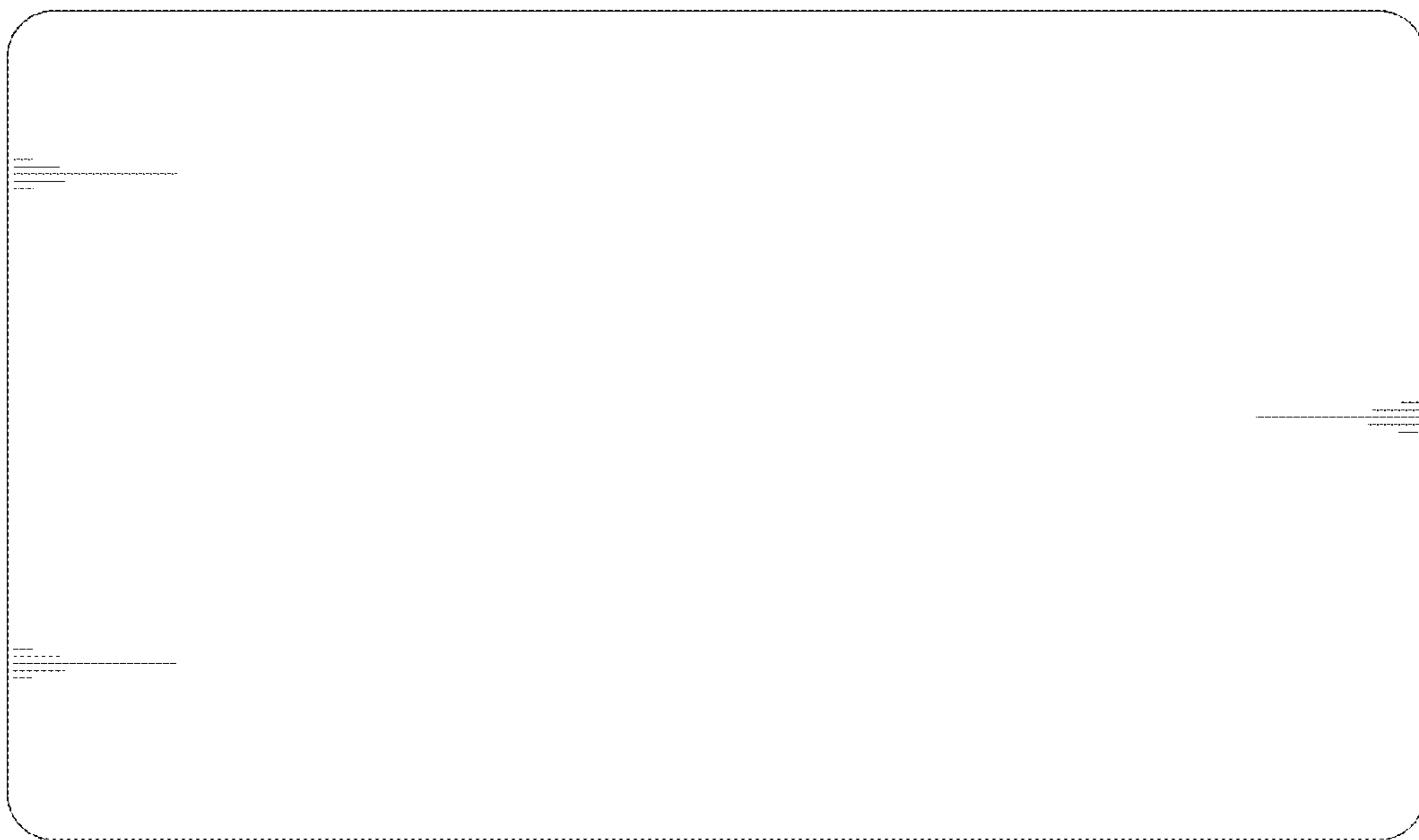


FIG. 4

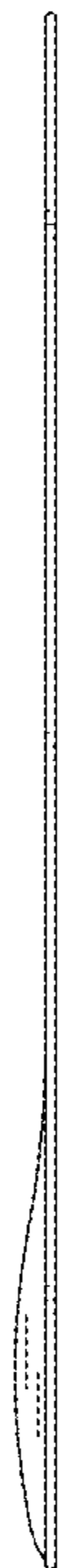


FIG. 5

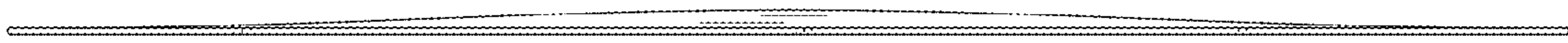


FIG. 6

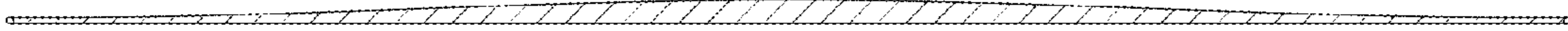


FIG. 7



FIG. 8

