



US00D699695S

(12) **United States Design Patent**  
**Kim et al.**

(10) **Patent No.:** **US D699,695 S**  
(45) **Date of Patent:** **\*\* Feb. 18, 2014**

(54) **TELEVISION RECEIVER**

FOREIGN PATENT DOCUMENTS

(71) Applicant: **LG Electronics Inc.**, Seoul (KR)

JP D1190838 11/2003  
JP D1391282 6/2010

(72) Inventors: **Junki Kim**, Seoul (KR); **Taeho Kim**, Seoul (KR); **Dongwon Choi**, Seoul (KR); **Kyoyoon Koo**, Seoul (KR)

(Continued)

(73) Assignee: **LG Electronics Inc.**, Seoul (KR)

OTHER PUBLICATIONS

(\*\*) Term: **14 Years**

Community Design 890702-1, Television sets, Apr. 4, 2008; pp. 1-2.

(21) Appl. No.: **29/450,995**

(Continued)

(22) Filed: **Mar. 27, 2013**

*Primary Examiner* — Raphael Barkai

(30) **Foreign Application Priority Data**

Sep. 28, 2012 (KR) ..... 30-2012-0047028

(74) *Attorney, Agent, or Firm* — Morgan, Lewis & Bockius LLP

(51) **LOC (10) Cl.** ..... **14-03**

(52) **U.S. Cl.**  
USPC ..... **D14/126**

(58) **Field of Classification Search**  
USPC ..... D14/125-134, 239, 371, 136, 374-377, D14/440, 450, 448, 336, 342, 159; 312/7.2; 348/836, 838, 180, 184, 325, 739; 341/12; 248/917-924, 465; 345/104, 345/133, 156, 168, 87, 173; 720/605, 669, 720/600, 655; 369/99, 197; D21/329, 515, D21/577, 622, 333, 433, 448, 452, 450, 331, D21/505; D6/477, 479, 300; 273/148 B; 446/484, 175, 356; D10/15, 26  
See application file for complete search history.

(57) **CLAIM**

The ornamental design for a television receiver, as shown and described.

(56) **References Cited**

U.S. PATENT DOCUMENTS

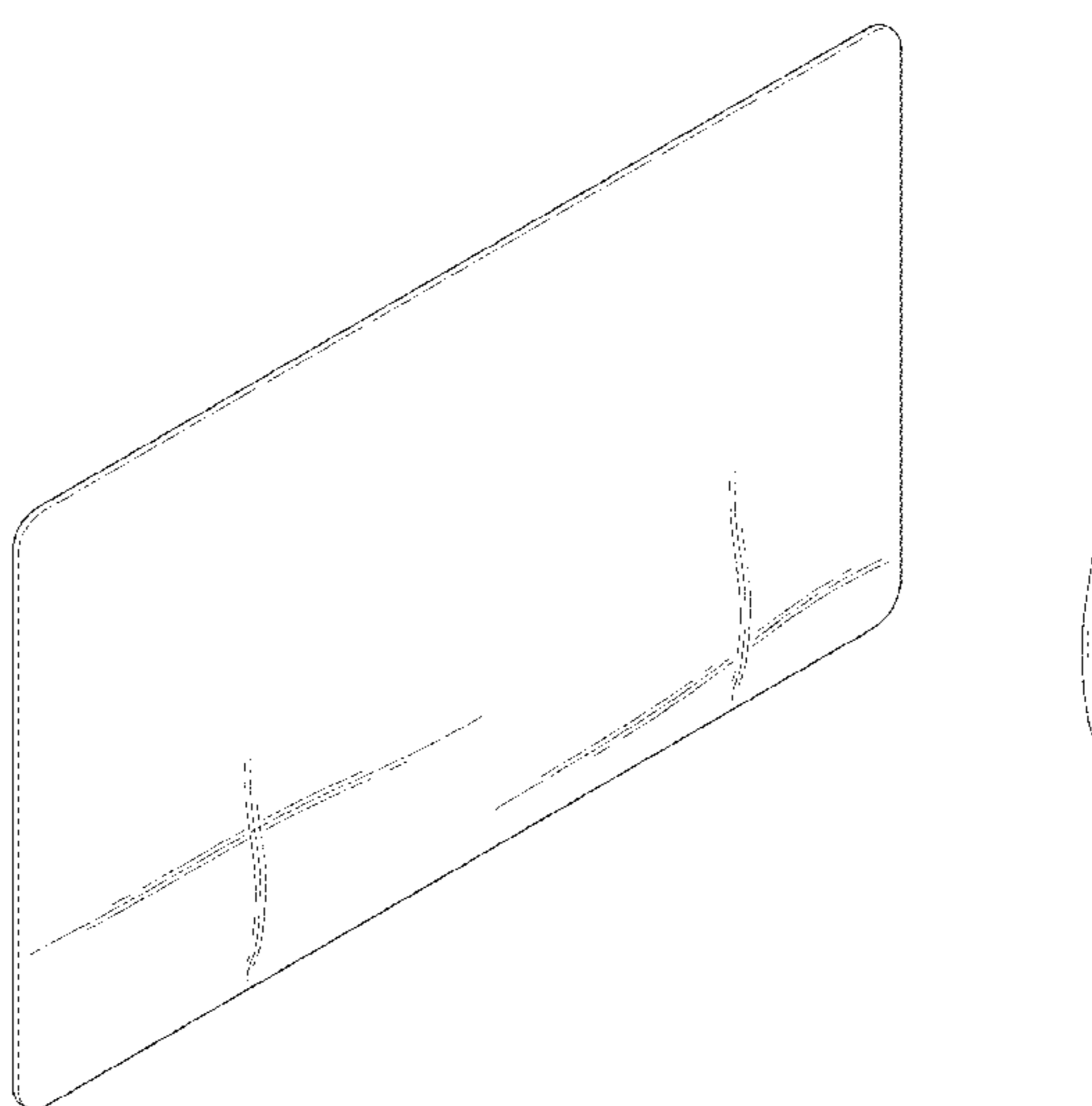
D598,405 S 8/2009 Kuramashi  
D609,705 S \* 2/2010 Andre et al. .... D14/374  
D630,210 S 1/2011 Andre et al.

**DESCRIPTION**

FIG. 1 is a rear perspective view of a television receiver showing our new design;  
FIG. 2 is a front view thereof;  
FIG. 3 is a rear view thereof;  
FIG. 4 is a left side view thereof where the right side view is a mirror image;  
FIG. 5 is a top plan view thereof where the bottom plan view is a mirror image;  
FIG. 6 is a reference front perspective view thereof showing the claimed part of the television receiver by hatching;  
FIG. 7 is a reference rear view thereof showing the claimed part of the television receiver by hatching;  
FIG. 8 is a cross-sectional view taken along line A-A'; and,  
FIG. 9 is a cross-sectional view taken along line B-B'.  
The broken lines are for illustrative purposes only and form no part of the claimed design.

(Continued)

**1 Claim, 9 Drawing Sheets**



(56)

References Cited

OTHER PUBLICATIONS

U.S. PATENT DOCUMENTS

D635,976 S \* 4/2011 Lee et al. .... D14/374  
D638,013 S 5/2011 Andre et al.  
D659,660 S \* 5/2012 Kumano ..... D14/126  
D670,692 S 11/2012 Akana et al.  
D671,938 S \* 12/2012 Hsu et al. .... D14/341  
D673,129 S \* 12/2012 Kumano ..... D14/126  
D682,234 S \* 5/2013 Lee et al. .... D14/126  
D682,235 S \* 5/2013 Lee et al. .... D14/126

FOREIGN PATENT DOCUMENTS

JP D1391859 7/2010  
KR 30-0656098 8/2012  
KR 30-0673953 12/2012

Community Design 1003412-1, Television receivers, Oct. 17, 2008,  
pp. 1-2.

Community Design 1750100-1, Monitors, Jul. 12, 2011, pp. 1-2.

Community Design 2134551-1, Fake television sets, Nov. 30, 2012,  
pp. 1-2.

Community Design 1802752-1, Monitors, Jan. 12, 2011, pp. 1-2.

\* cited by examiner

FIG. 1

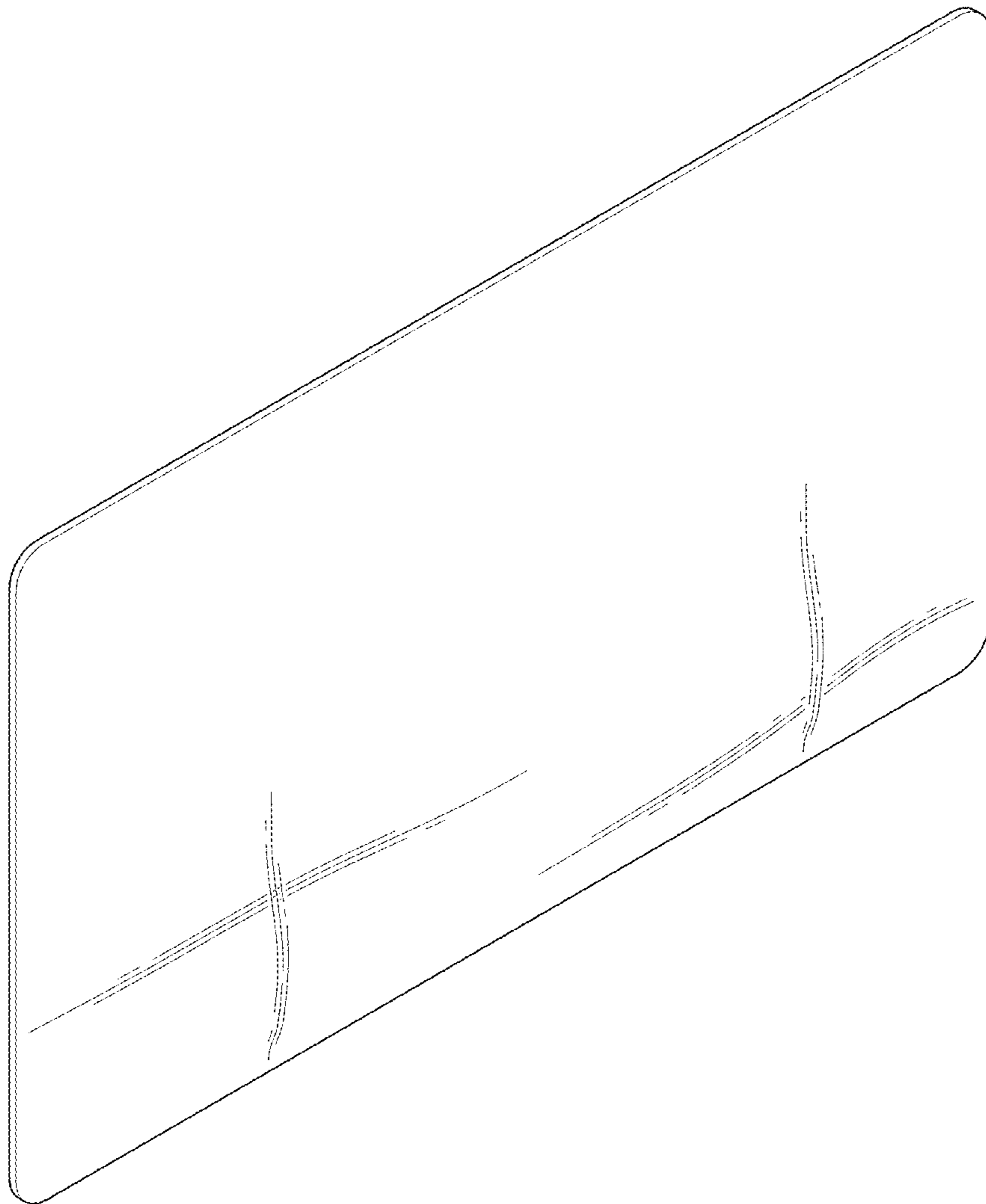


FIG. 2

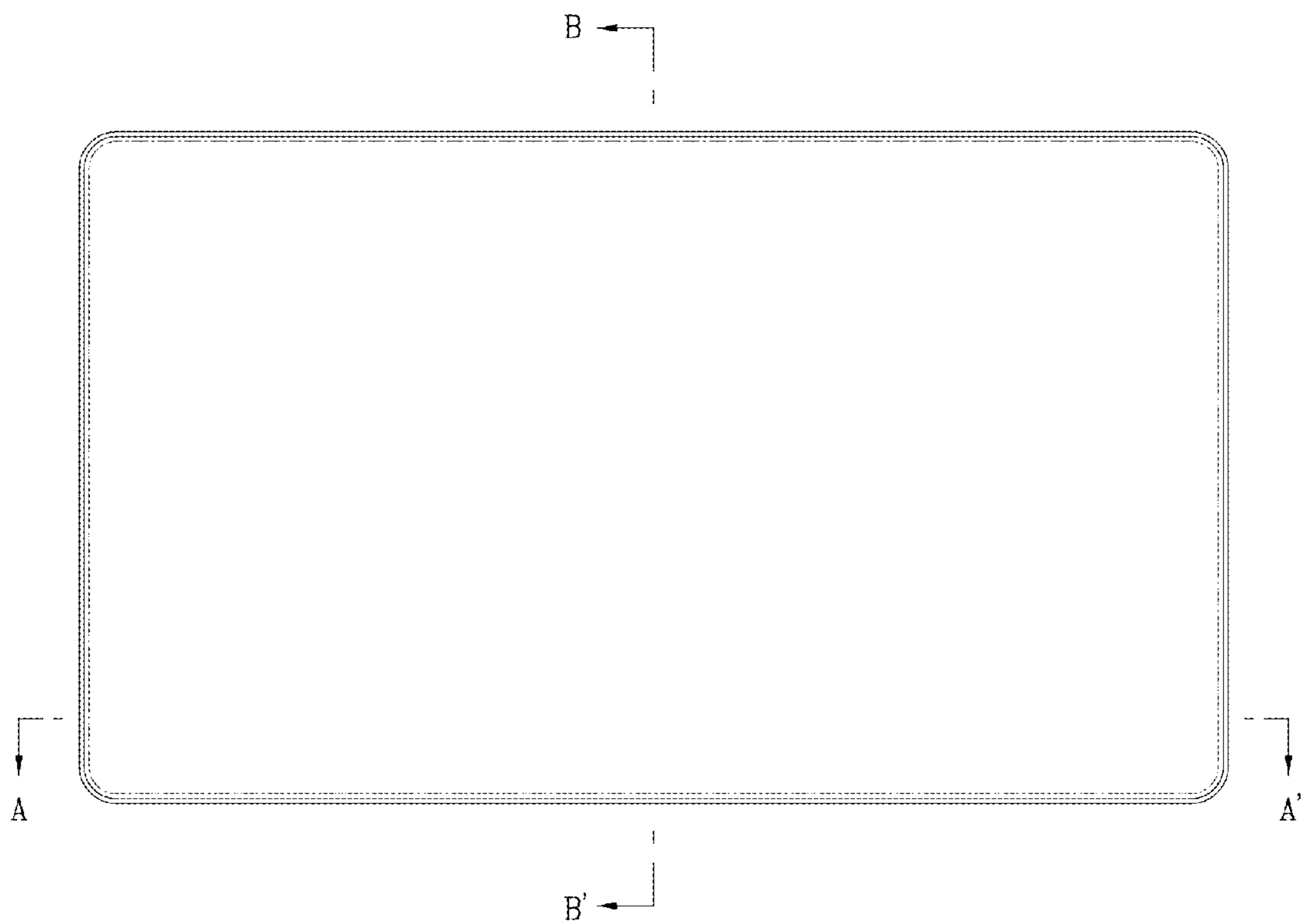


FIG. 3

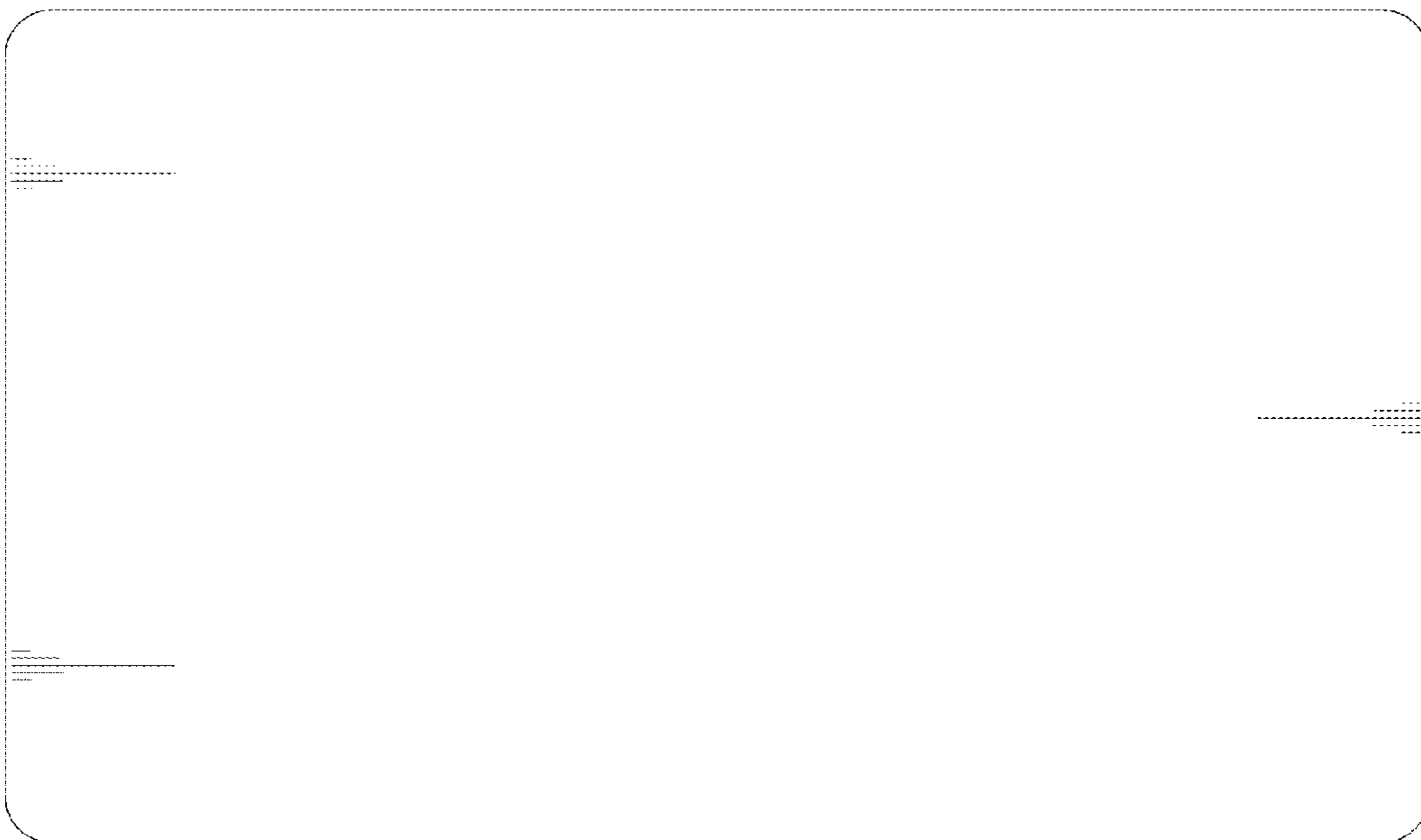


FIG. 4



**FIG. 5**

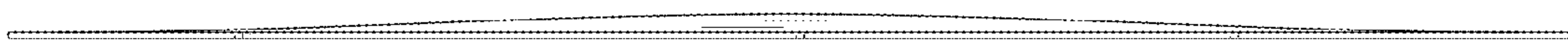


FIG. 6

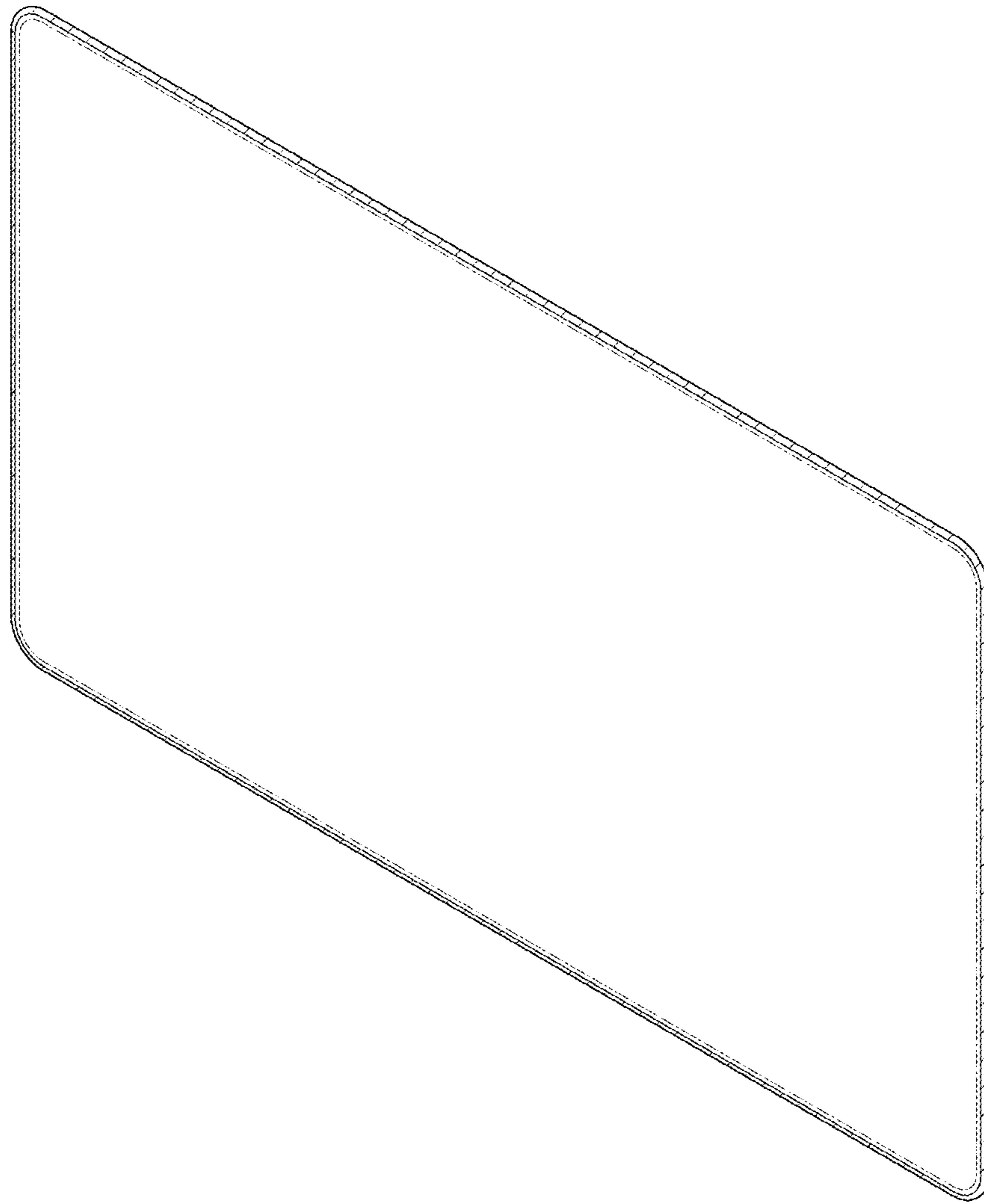




FIG. 7

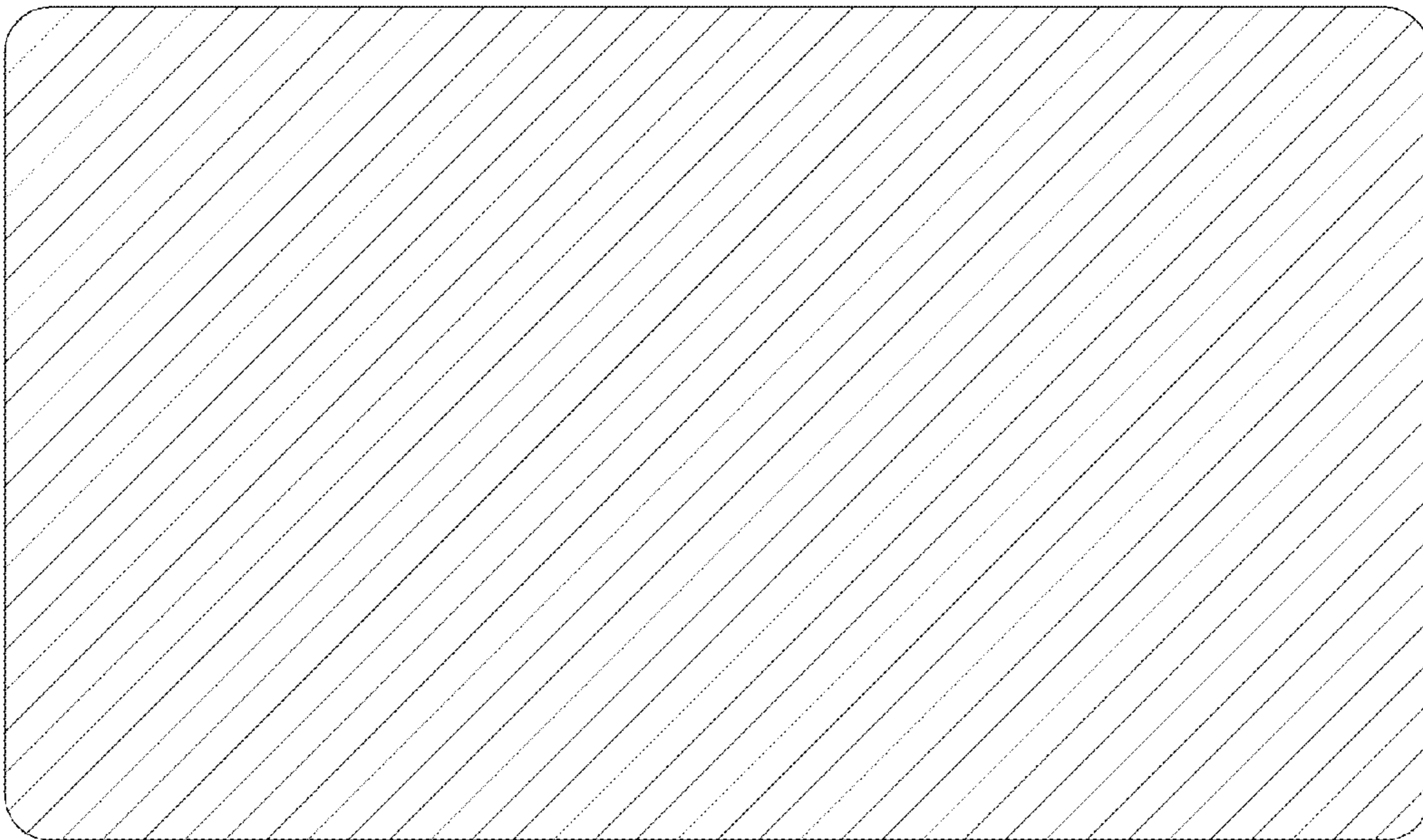


FIG. 8

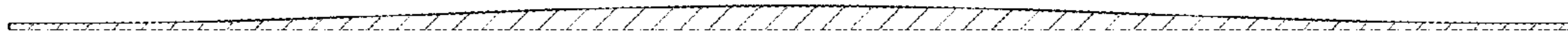


FIG. 9

