

US00D699694S

(12) **United States Design Patent**  
**Son et al.**

(10) **Patent No.:** **US D699,694 S**

(45) **Date of Patent:** **\*\* Feb. 18, 2014**

(54) **AV PLAYER**

(56) **References Cited**

(71) Applicant: **Samsung Electronics Co., Ltd.**,  
Suwon-si (KR)  
(72) Inventors: **Chae-Joo Son**, Namyangjoo-Si (KR);  
**Sung-II Bang**, Seoul (KR)  
(73) Assignee: **Samsung Electronics Co., Ltd.**,  
Suwon-si (KR)  
(\*\*) Term: **14 Years**

U.S. PATENT DOCUMENTS

D513,617 S *	1/2006	Tierney .....	D14/496
D594,876 S *	6/2009	Hwang .....	D14/496
D601,583 S *	10/2009	Andre et al. ....	D14/496
D613,310 S *	4/2010	Kim .....	D14/502
D644,247 S *	8/2011	Kim et al. ....	D14/496
D648,298 S *	11/2011	Pierce et al. ....	D14/138 G
D650,394 S *	12/2011	Seoc et al. ....	D14/496
D653,662 S *	2/2012	Park et al. ....	D14/358
D657,784 S *	4/2012	Akana et al. ....	D14/314
D658,611 S *	5/2012	Bang et al. ....	D14/125
D660,834 S *	5/2012	Akana et al. ....	D14/314
D686,201 S *	7/2013	Lee .....	D14/314

(21) Appl. No.: **29/446,881**

\* cited by examiner

(22) Filed: **Feb. 28, 2013**

*Primary Examiner* — Randall Gholson

(74) *Attorney, Agent, or Firm* — NSIP Law

(30) **Foreign Application Priority Data**

Aug. 29, 2012 (KR) ..... 30-2012-0041589

(51) **LOC (10) Cl.** ..... **14-03**

(52) **U.S. Cl.**  
USPC ..... **D14/125**

(58) **Field of Classification Search**  
USPC ..... D14/125, 357-358, 496, 188, 242, 432;  
D13/184; 348/10, 460, 706, 731;  
340/825.03; 455/6.1, 6.2; 312/223.1,  
312/7.2

See application file for complete search history.

(57) **CLAIM**

The ornamental design for an AV player, as shown and described.

**DESCRIPTION**

FIG. 1 is a front perspective view of an AV player;  
FIG. 2 is a front view of the AV player of FIG. 1;  
FIG. 3 is a rear view of the AV player of FIG. 1;  
FIG. 4 is a left-side view of the AV player of FIG. 1;  
FIG. 5 is a right-side view of the AV player of FIG. 1;  
FIG. 6 is a top plan view of the AV player of FIG. 1; and,  
FIG. 7 is a bottom plan view of the AV player of FIG. 1.  
Features shown in broken lines in FIGS. 2, 3, 4, 5, and 7, form no part of the claimed design.

**1 Claim, 5 Drawing Sheets**

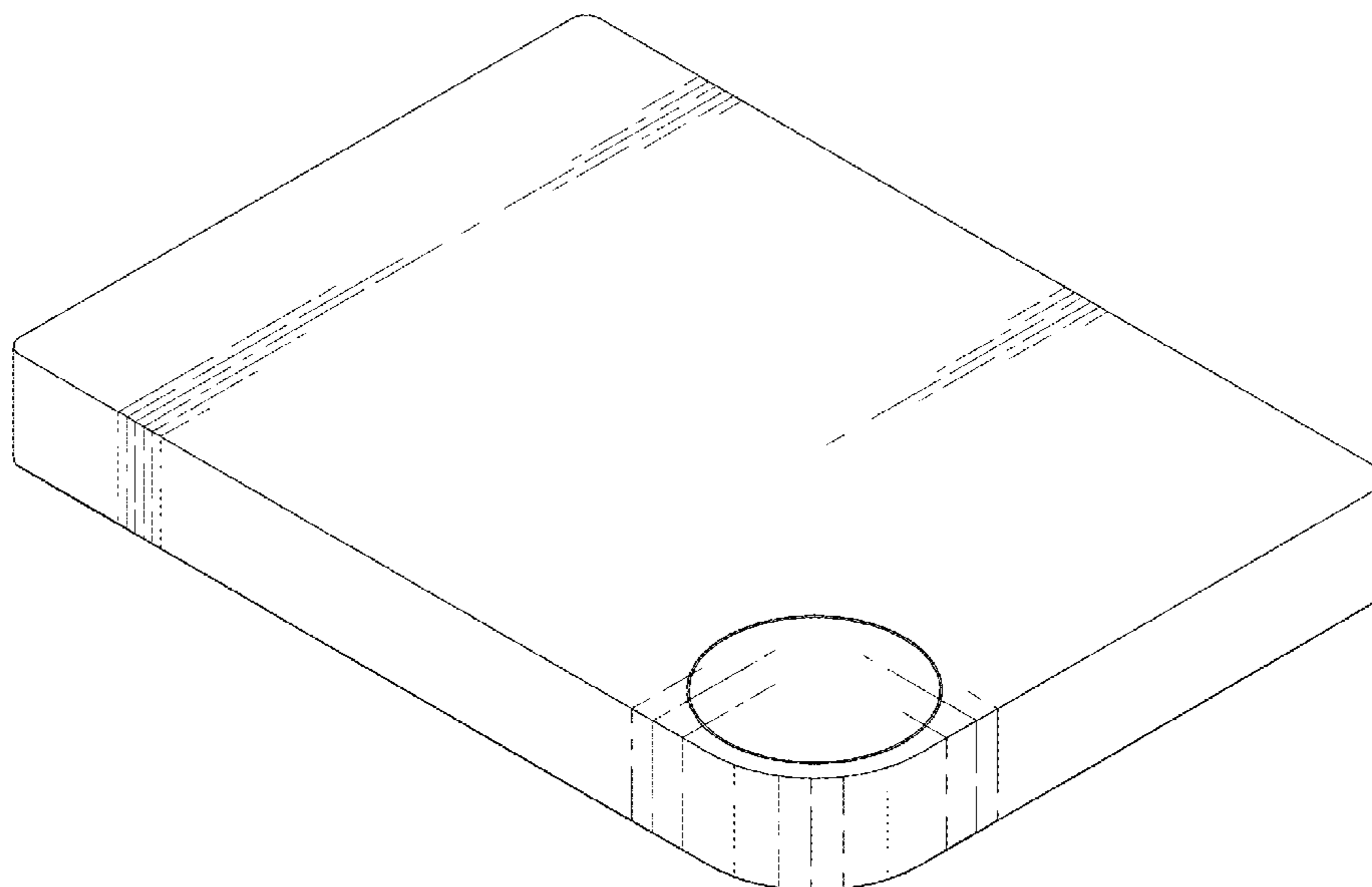


FIG. 1

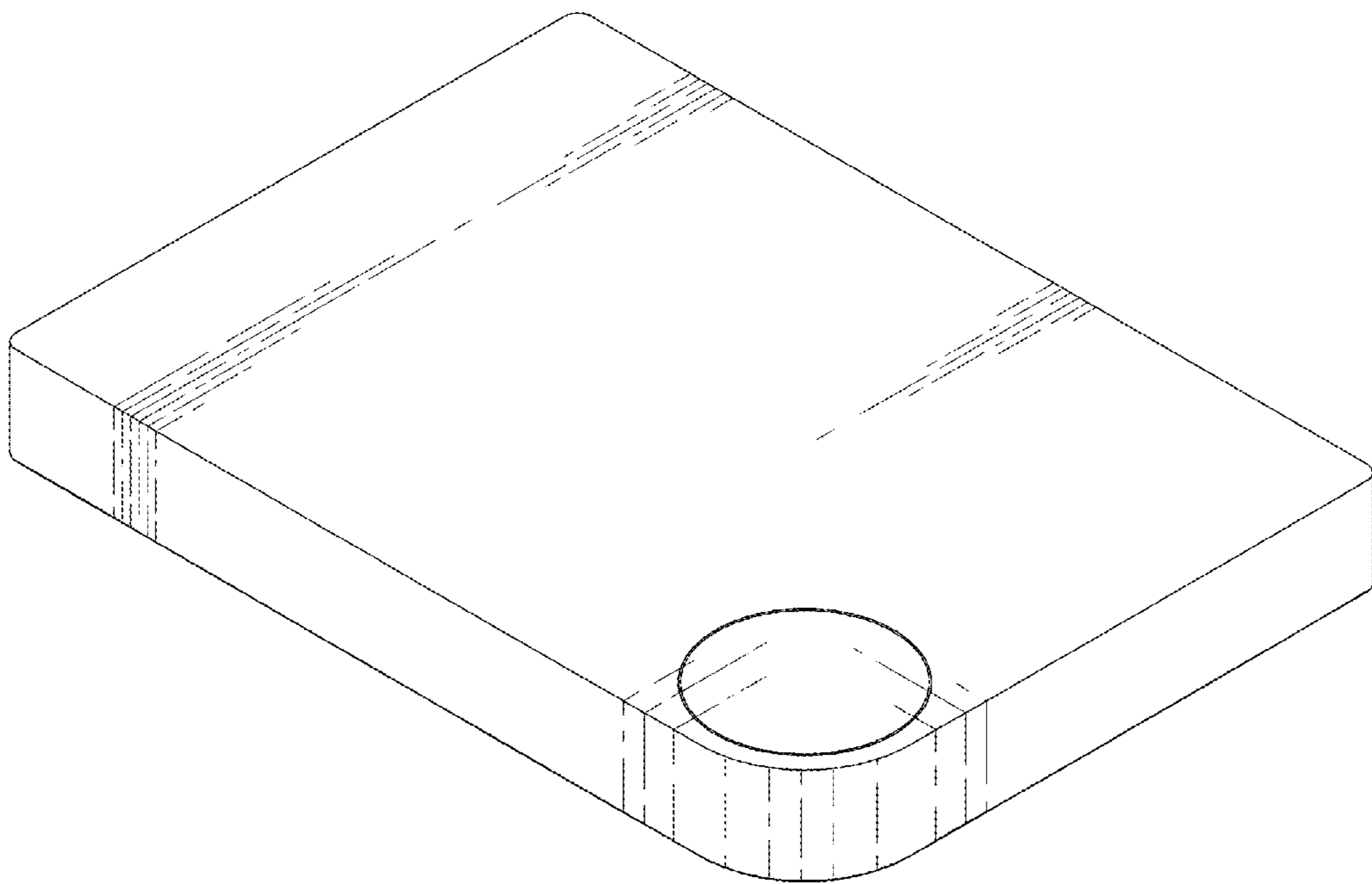


FIG. 2

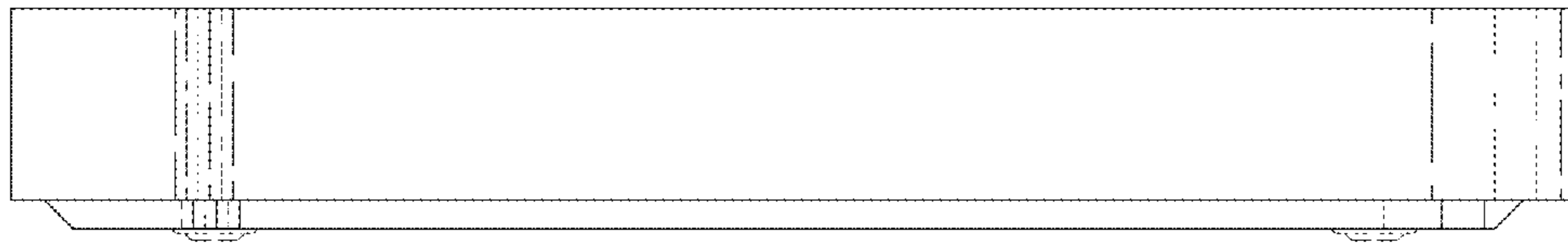


FIG. 3

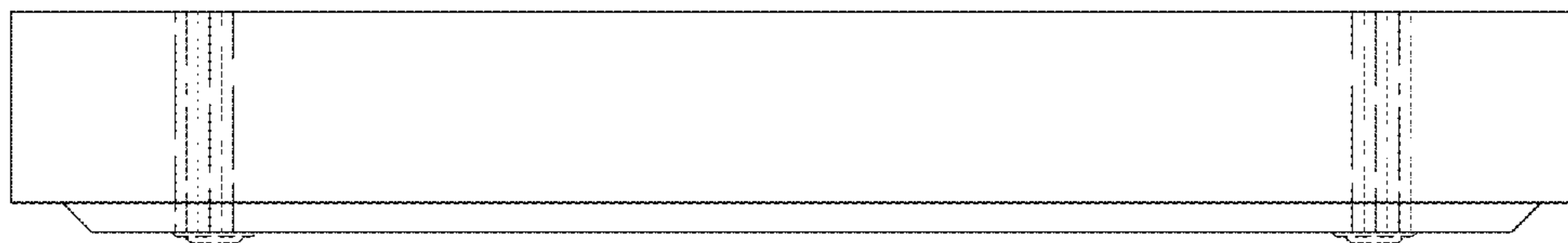


FIG. 4

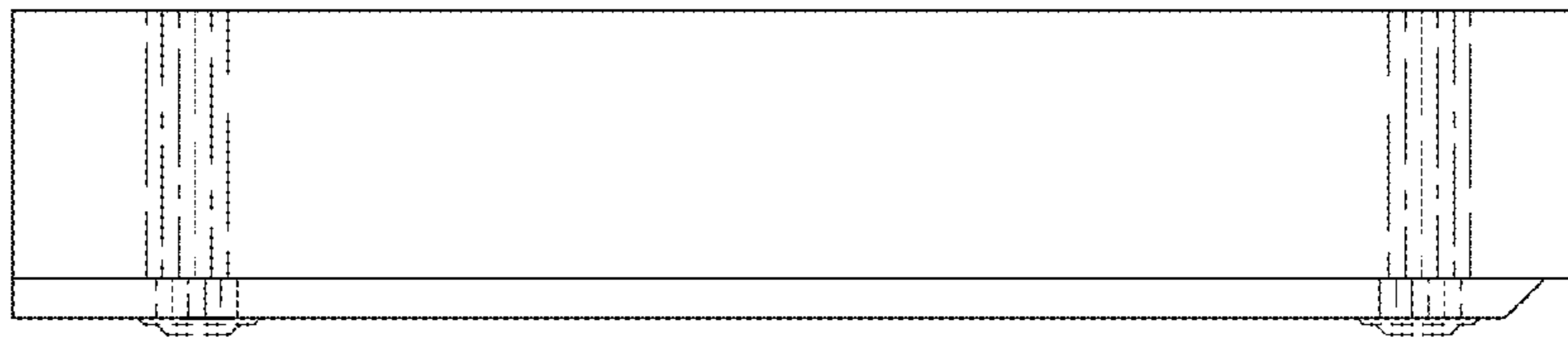


FIG. 5

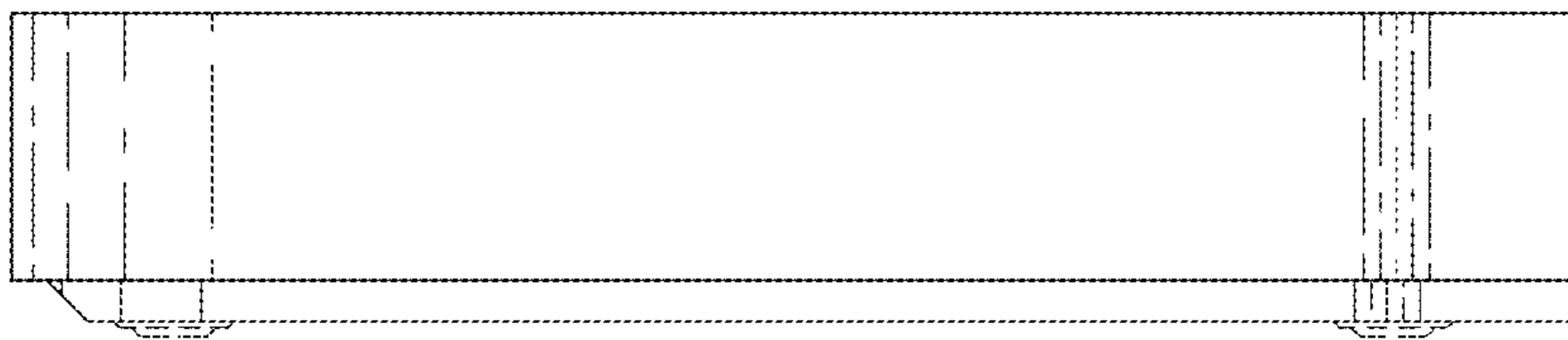


FIG. 6

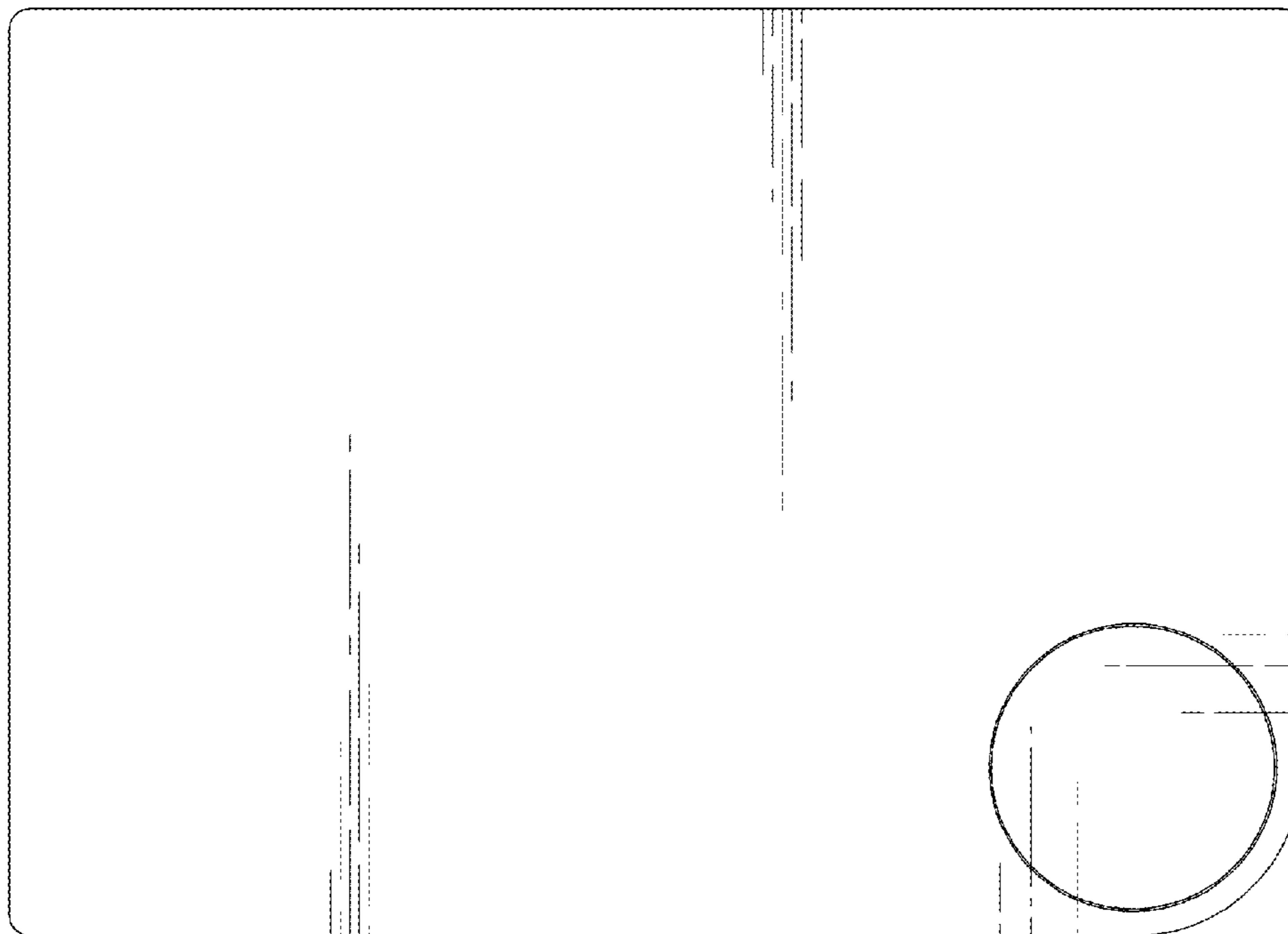


FIG. 7

