



US00D699687S

(12) **United States Design Patent**
Baldwin et al.

(10) **Patent No.:** **US D699,687 S**

(45) **Date of Patent:** **** Feb. 18, 2014**

(54) **ELECTRICAL BOX**

(71) Applicants: **Jeffrey Baldwin**, Desert Hills, AZ (US);
John Klein, Gilbert, AZ (US); **Ryan Liebengood**, Gilbert, AZ (US)

(72) Inventors: **Jeffrey Baldwin**, Desert Hills, AZ (US);
John Klein, Gilbert, AZ (US); **Ryan Liebengood**, Gilbert, AZ (US)

(73) Assignee: **Titan3 Technology LLC**, Phoenix, AZ (US)

(**) Term: **14 Years**

(21) Appl. No.: **29/441,470**

(22) Filed: **Jan. 4, 2013**

(51) **LOC (10) Cl.** **13-03**

(52) **U.S. Cl.**
USPC **D13/156**

(58) **Field of Classification Search**
USPC D13/156, 133, 146, 152, 154, 155, 158,
D13/160, 173, 184, 199; 174/50, 53-55,
174/58-60, 64, 66, 67, 480, 481; 220/3.2,
220/3.3, 3.7-3.9, 241, 242; 439/180, 252,
439/269.1, 278, 374, 378, 527, 529, 533,
439/892, 894, 901

See application file for complete search history.

(56) **References Cited**

U.S. PATENT DOCUMENTS

D227,989	S	*	7/1973	Geisel	D13/156
4,176,758	A	*	12/1979	Glick	220/3.3
D346,362	S	*	4/1994	Bouley	D13/156
D478,872	S	*	8/2003	Heggem	D13/152
D493,773	S	*	8/2004	Hein	D13/156
6,827,229	B2	*	12/2004	Dinh et al.	220/3.3
D502,687	S	*	3/2005	Sherman	D13/156
7,170,015	B1	*	1/2007	Roesch et al.	174/480
D596,154	S	*	7/2009	Rivkin	D14/140.5
D629,366	S	*	12/2010	Ericson et al.	D13/156

* cited by examiner

Primary Examiner — Derrick Holland

(74) *Attorney, Agent, or Firm* — Ryan Liebengood

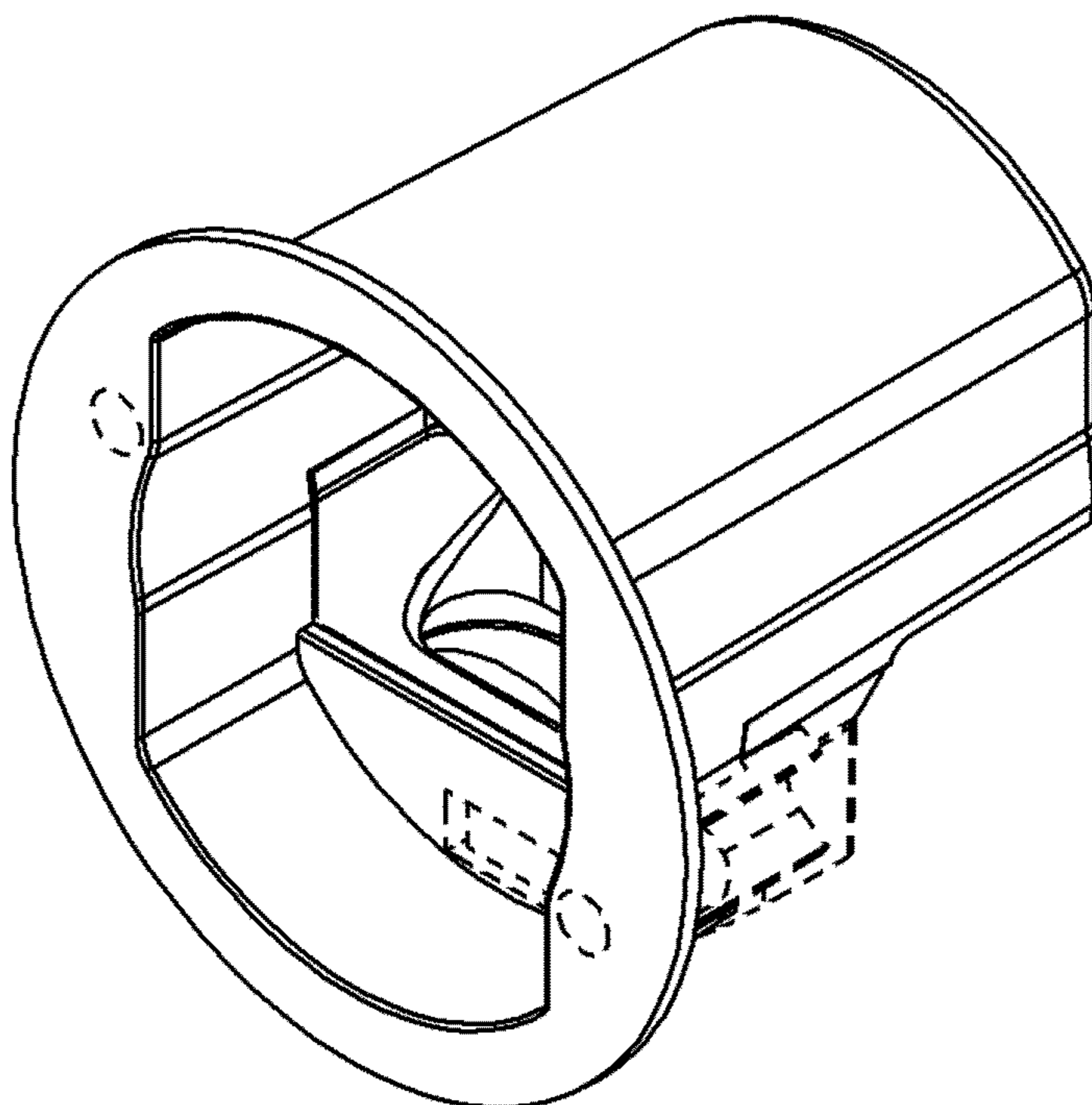
(57) **CLAIM**

We claim the ornamental design for an electrical box, as shown and described.

DESCRIPTION

FIG. 1 is a perspective view of an electrical box showing our design;
FIG. 2 is a front elevational view thereof;
FIG. 3 is a rear elevational view thereof;
FIG. 4 is a top plan view thereof;
FIG. 5 is a bottom plan view thereof;
FIG. 6 is a left side elevational view thereof; and,
FIG. 7 is a right side elevational view thereof.
The broken lines shown in the Figures are included for the purpose of illustrating environmental features and form no part of the claimed design.

1 Claim, 7 Drawing Sheets



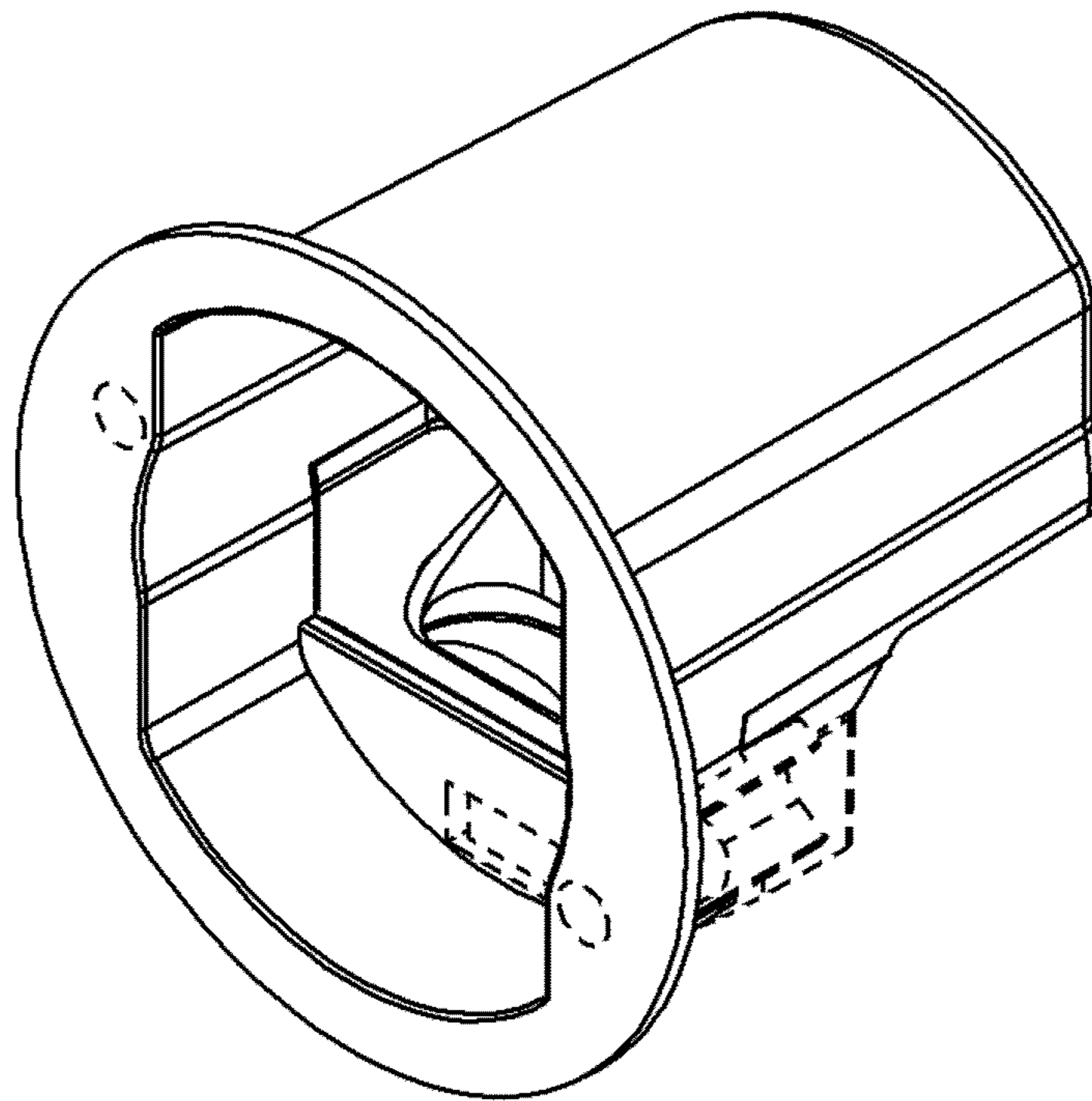


FIG. 1

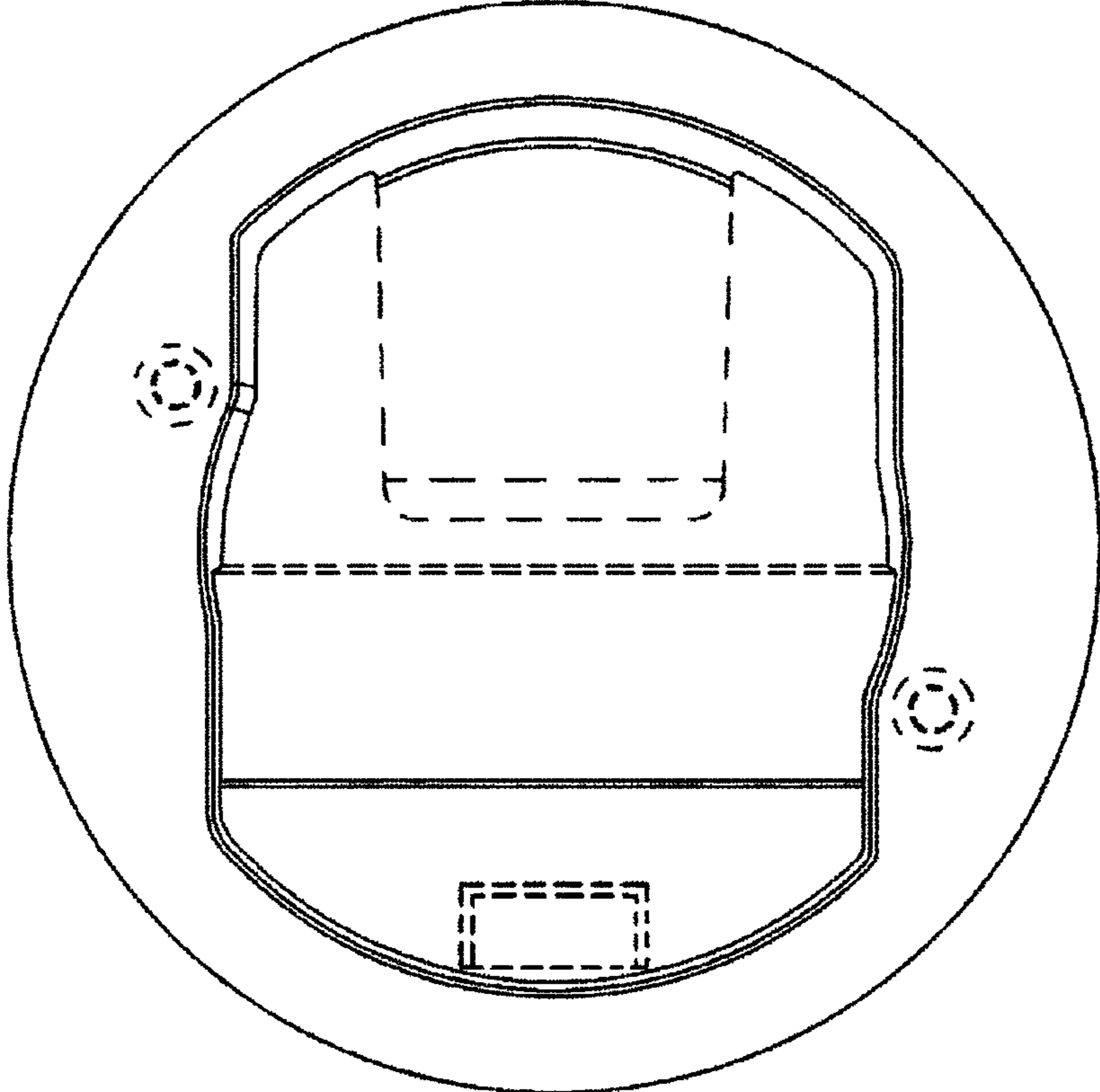


FIG. 2

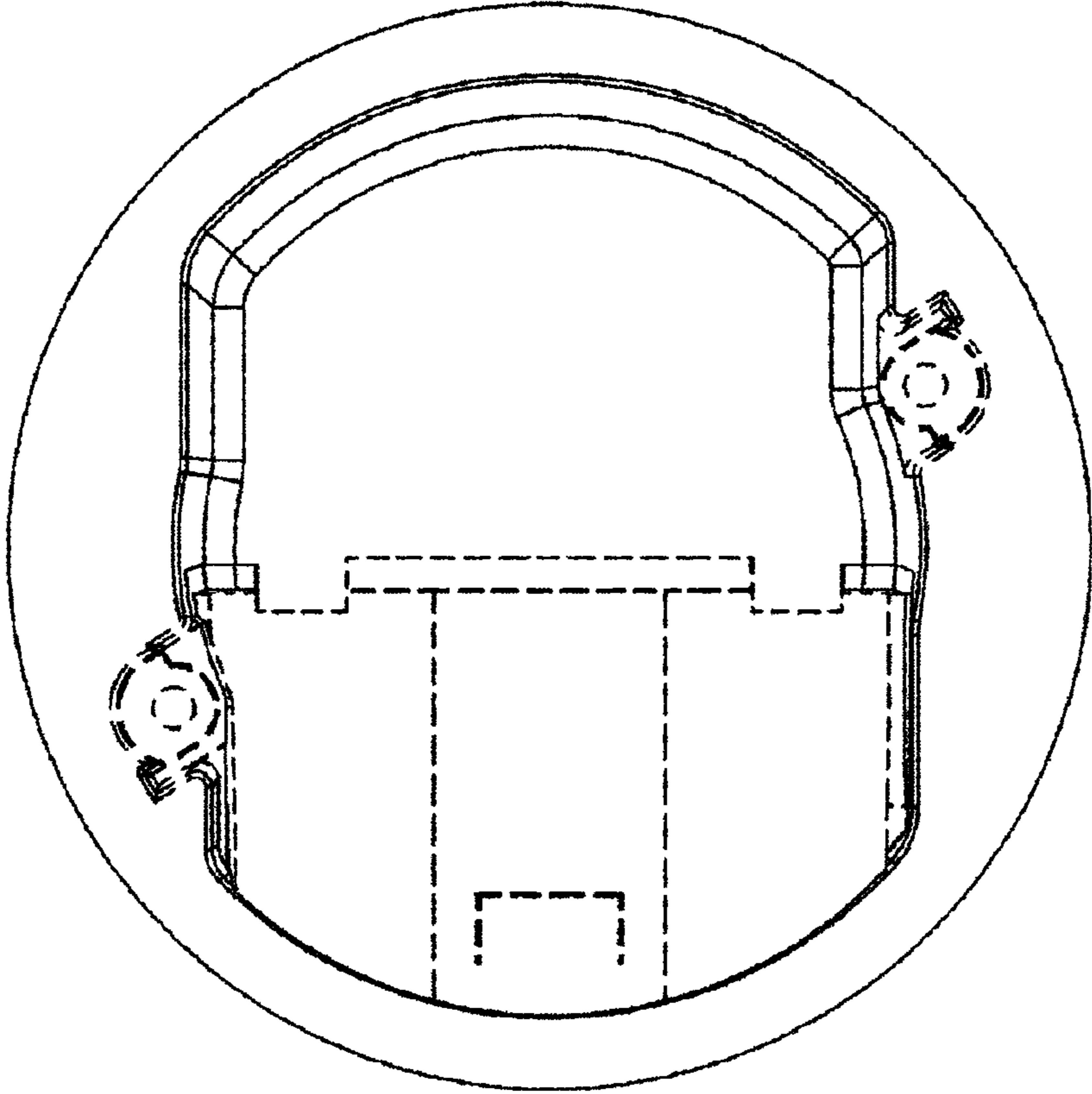


FIG. 3

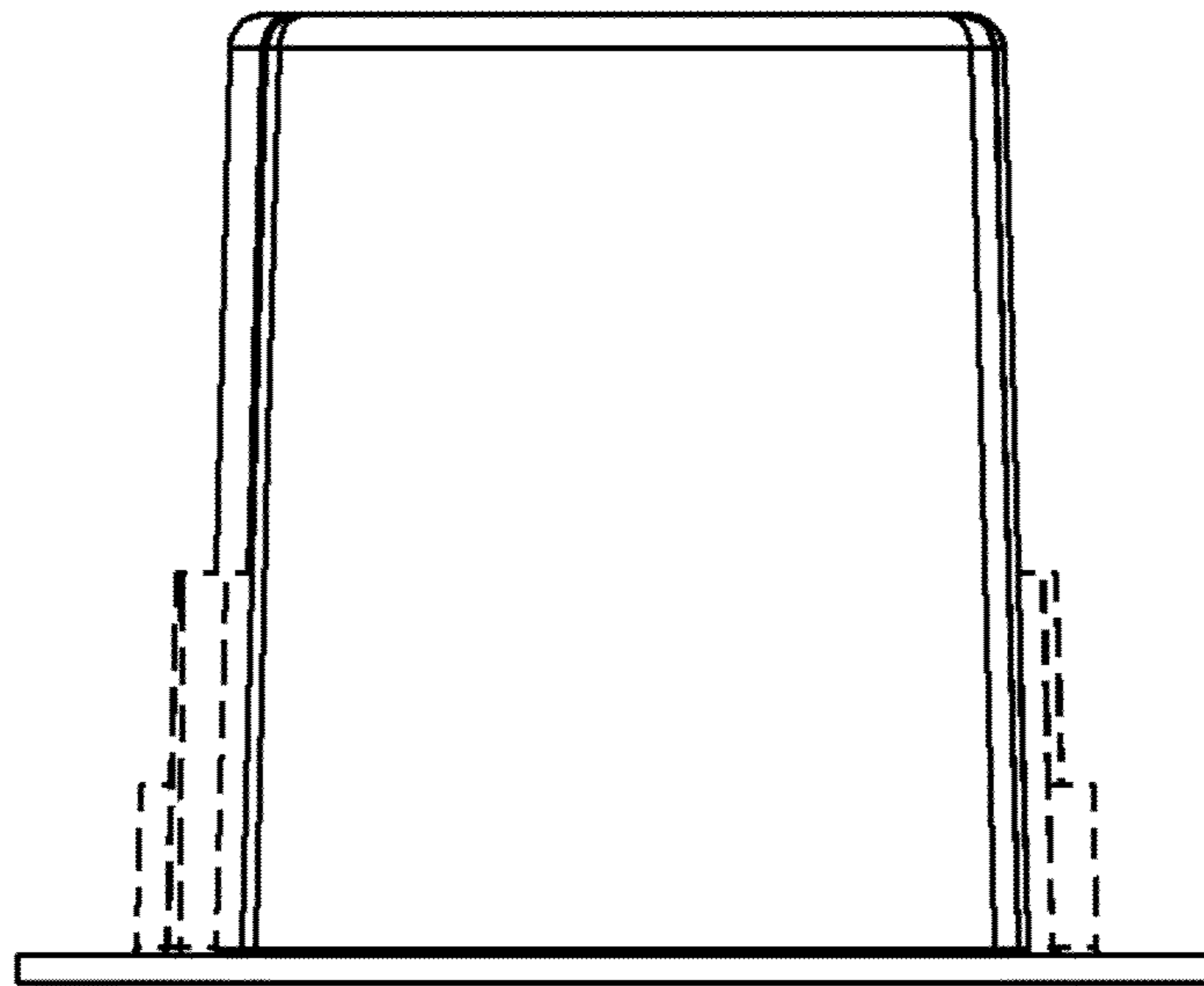


FIG. 4

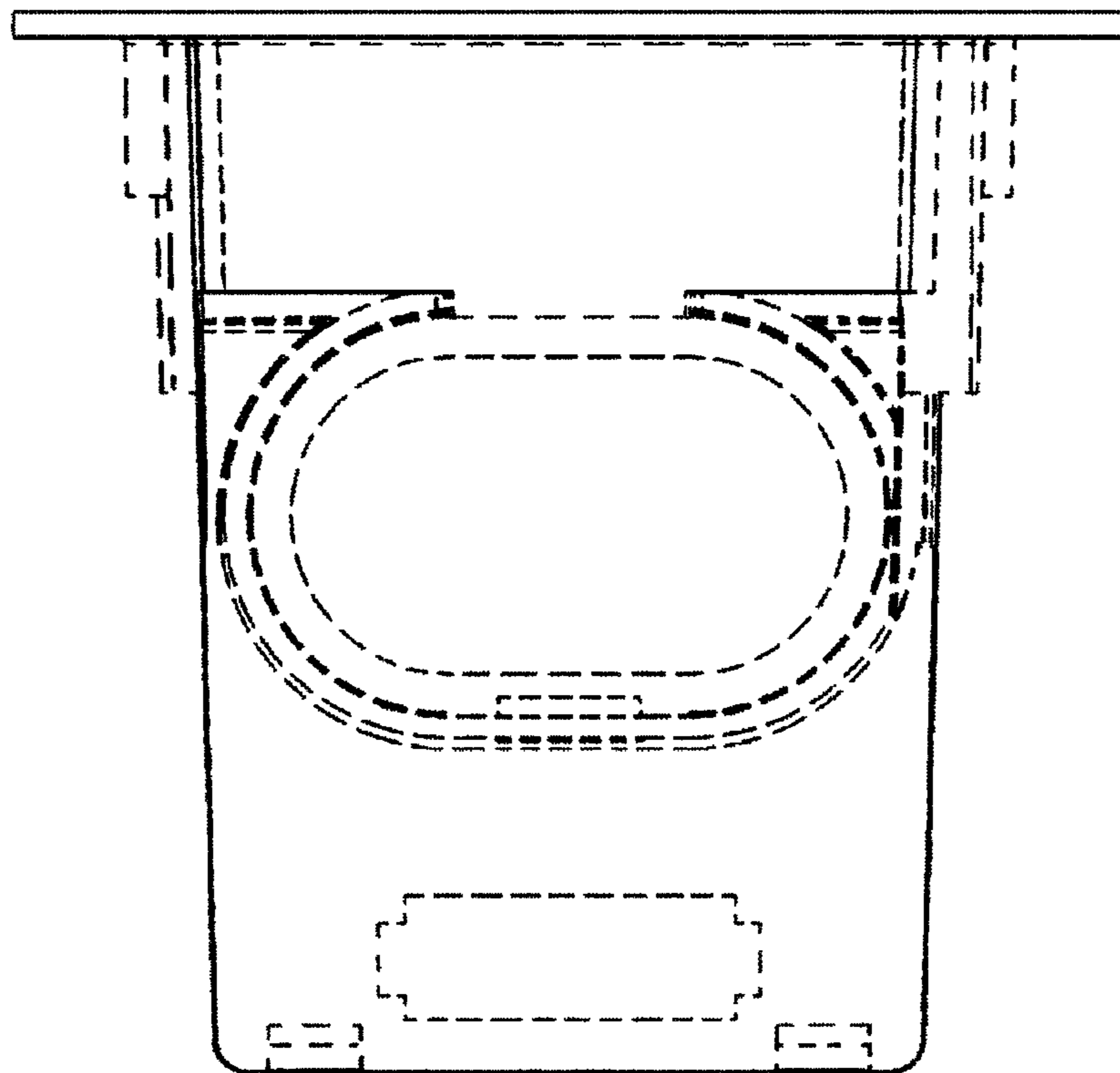


FIG. 5

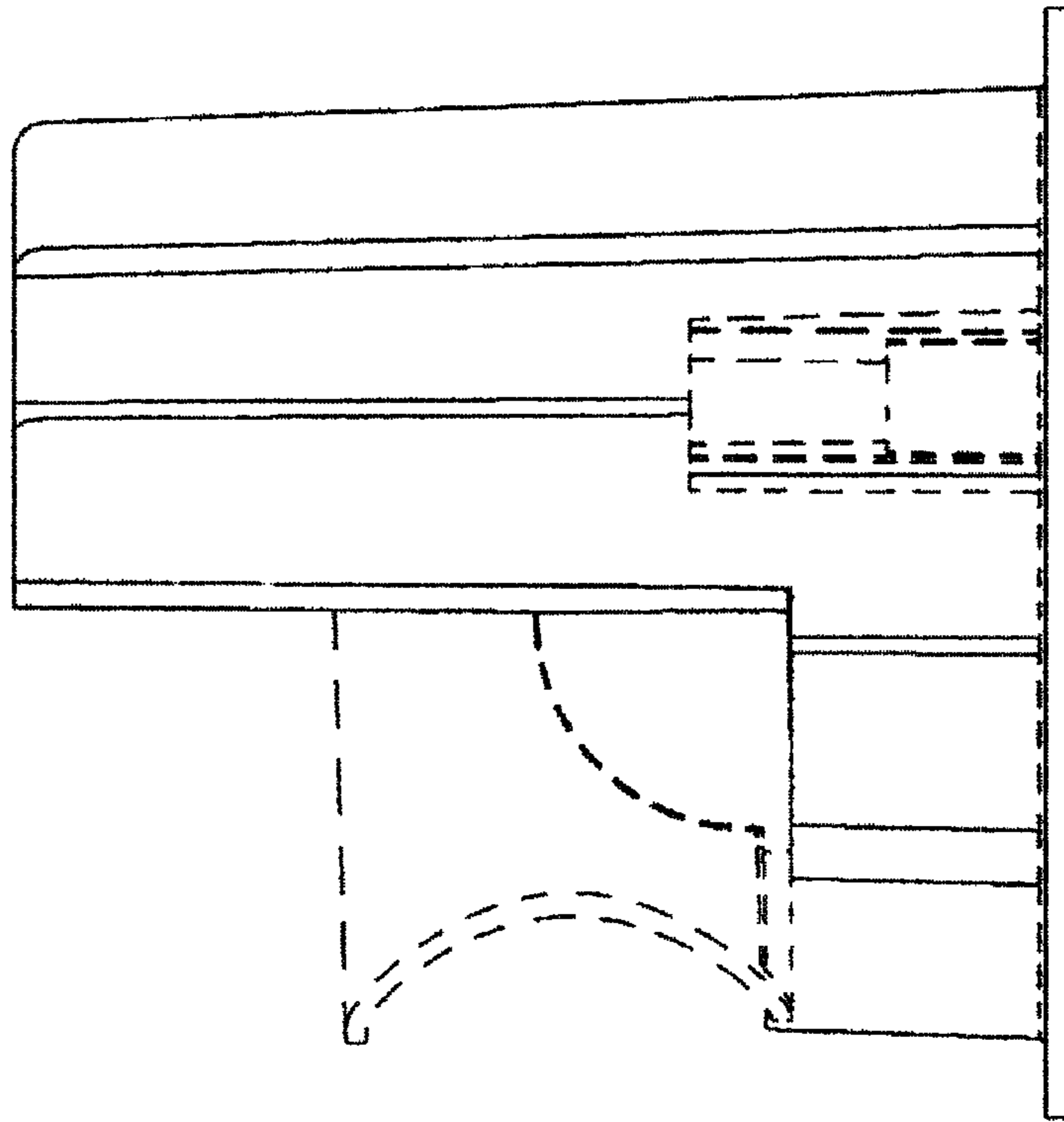


FIG. 6

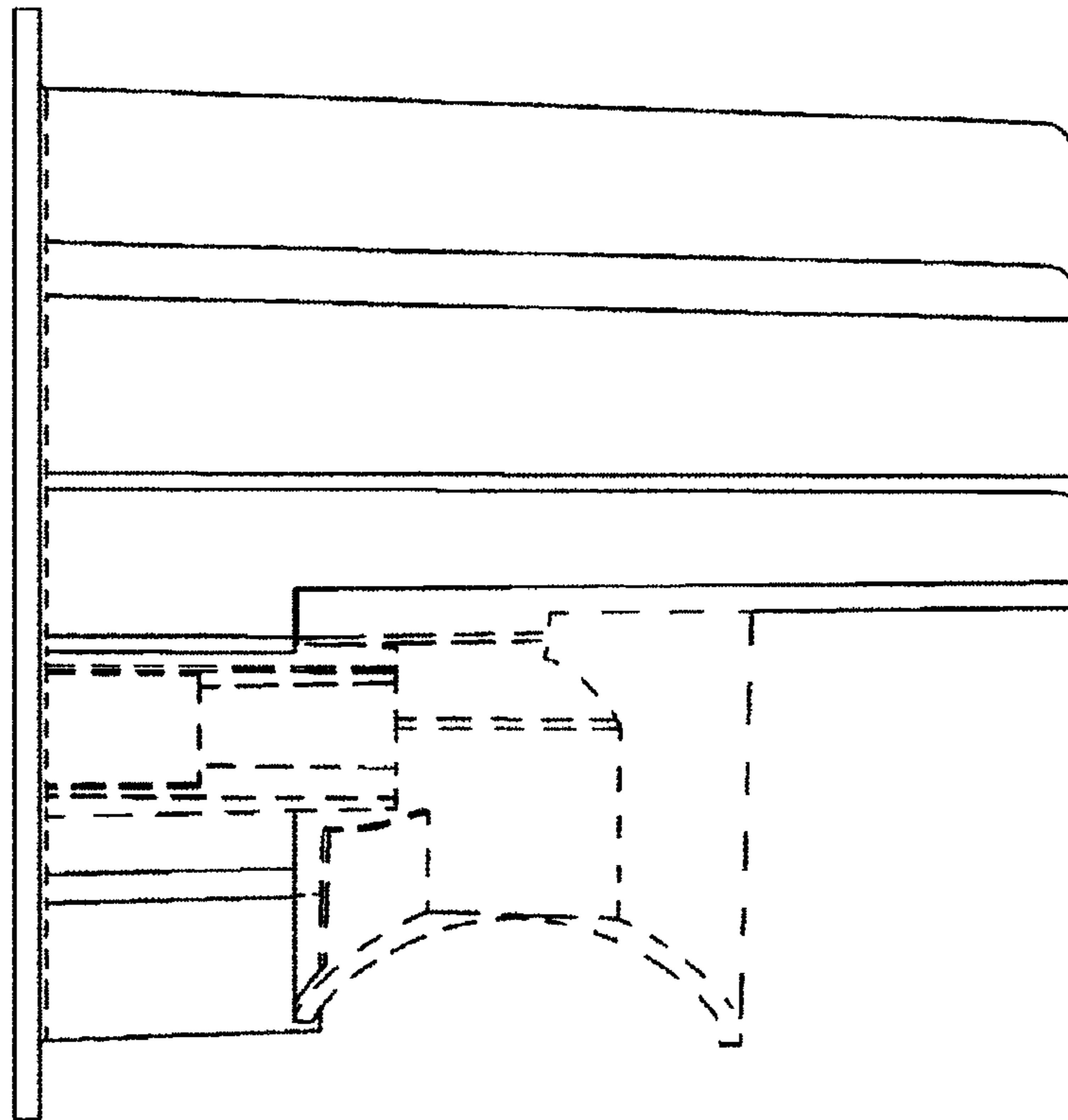


FIG. 7