



US00D699686S

(12) **United States Design Patent**
Chen et al.

(10) **Patent No.:** **US D699,686 S**

(45) **Date of Patent:** **** Feb. 18, 2014**

(54) **LIGHTNING CONNECTOR**

(56) **References Cited**

(71) Applicant: **Superior Communications, Inc.**,
Irwindale, CA (US)

U.S. PATENT DOCUMENTS

(72) Inventors: **George Chen**, Chatsworth, CA (US);
Samuel Sentosa, Chino, CA (US);
David P. Su, Montebello, CA (US)

D584,238	S	*	1/2009	Victor	D13/156
D619,540	S	*	7/2010	Victor	D13/154
D635,929	S	*	4/2011	Kawakami et al.	D13/147
D635,931	S	*	4/2011	Amidon	D13/154
D644,999	S	*	9/2011	Lee et al.	D13/154
D671,076	S	*	11/2012	Victor	D13/147
D675,993	S	*	2/2013	Izen et al.	D13/147
D691,093	S	*	10/2013	Yu et al.	D13/147
D691,095	S	*	10/2013	Izen et al.	D13/147
2013/0090020	A1	*	4/2013	Zhang	439/660

(73) Assignee: **Superior Communications, Inc.**,
Irwindale, CA (US)

(**) Term: **14 Years**

* cited by examiner

Primary Examiner — Thomas Johannes

(21) Appl. No.: **29/439,580**

(74) *Attorney, Agent, or Firm* — Snell & Wilmer LLP

(22) Filed: **Dec. 12, 2012**

(57) **CLAIM**

We claim the ornamental design for a lightning connector, as shown and described.

(51) **LOC (10) Cl.** **13-03**

(52) **U.S. Cl.**
USPC **D13/154**

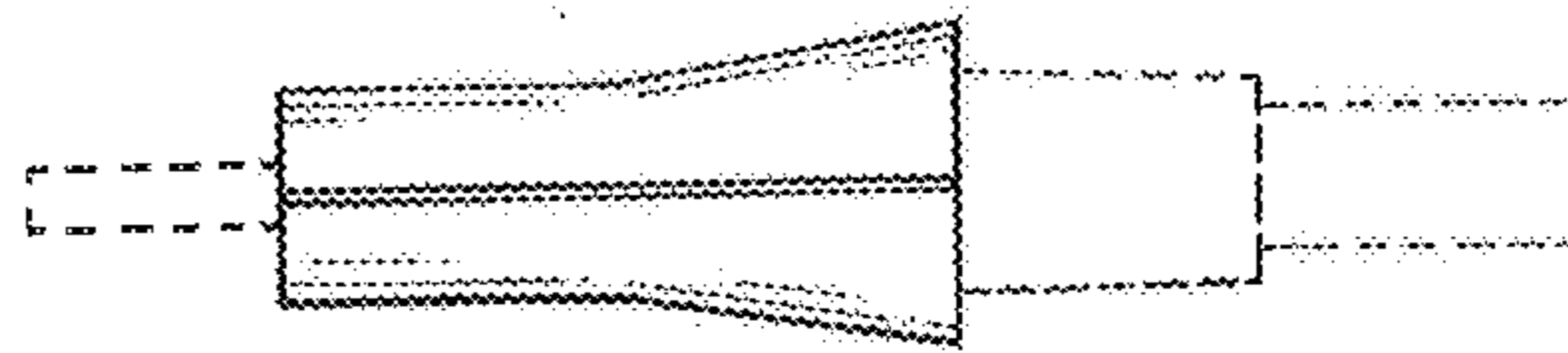
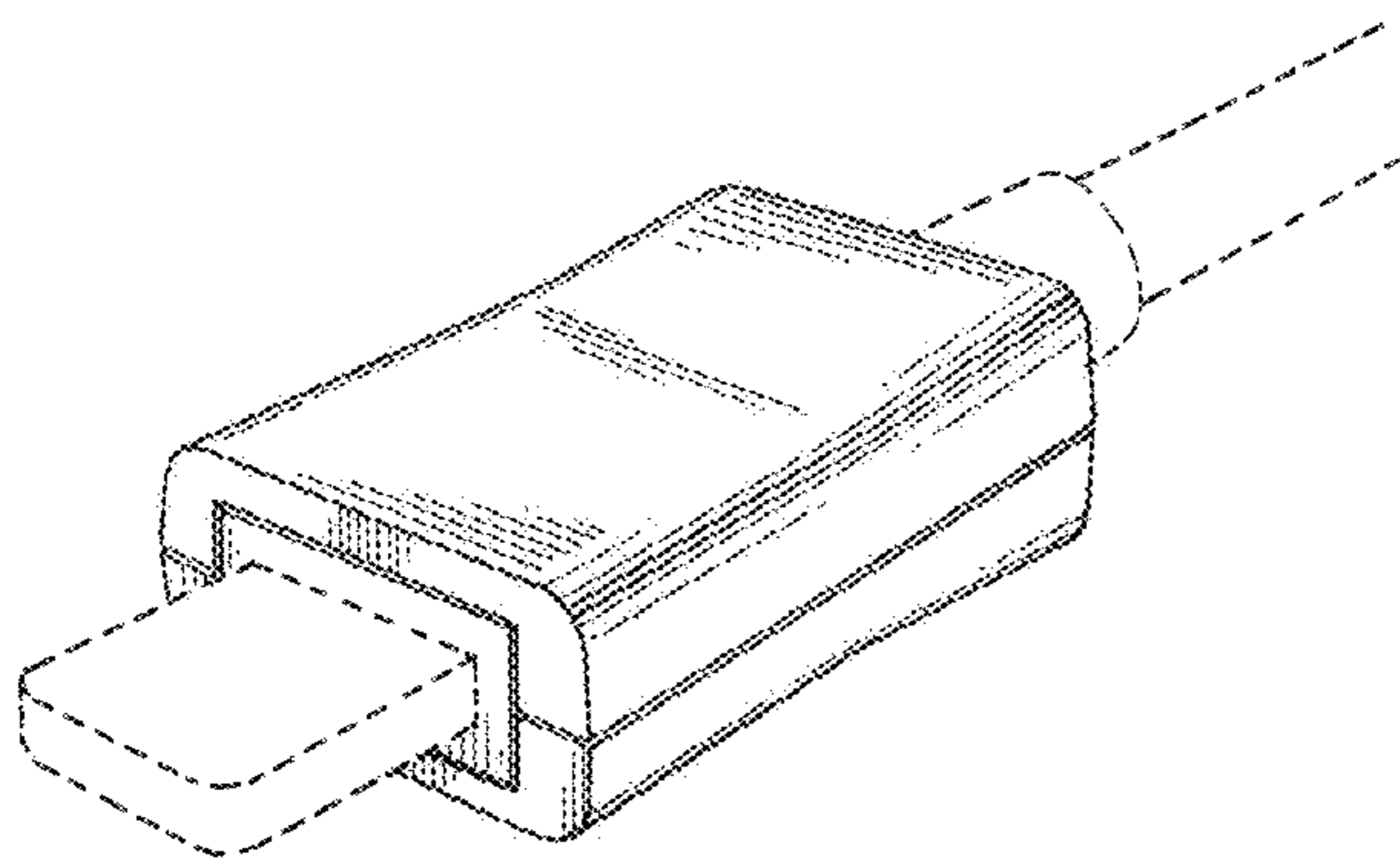
(58) **Field of Classification Search**
USPC D13/133, 146, 147, 154, 184, 199;
439/79, 248, 258, 274, 350, 353, 358,
439/447, 660, 607.01, 607.02, 607.04,
439/607.05, 607.17, 607.25, 607.34,
439/607.53, 677, 680, 682, 686

DESCRIPTION

FIG. 1 is a perspective view of a lightning connector showing our new design;
FIG. 2 is a top view thereof;
FIG. 3 is a bottom view thereof;
FIG. 4 is a side view thereof;
FIG. 5 is a front view thereof; and,
FIG. 6 is a rear view thereof.
The broken lines in the FIGURES showing the contact and the plug of the lightning connector show unclaimed subject matter only and form no part of the claimed design.

See application file for complete search history.

1 Claim, 3 Drawing Sheets



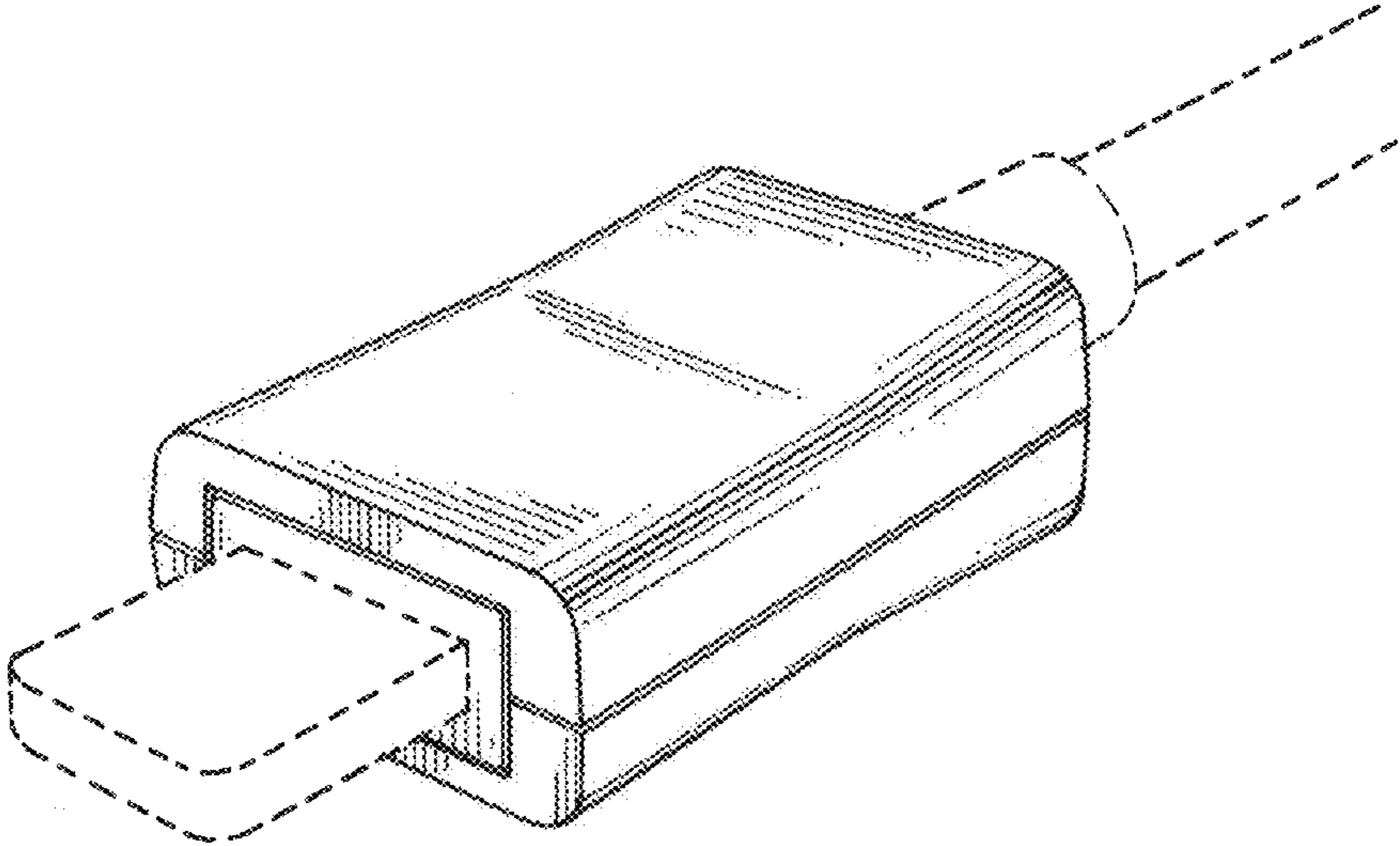


FIG. 1

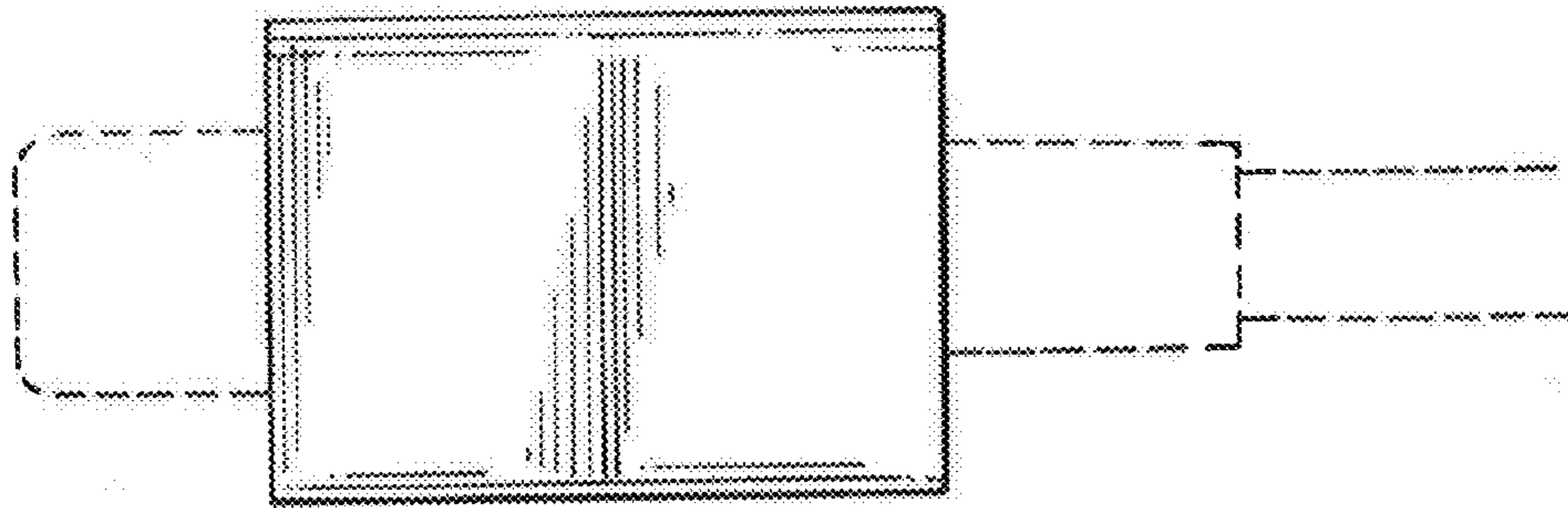


FIG. 2

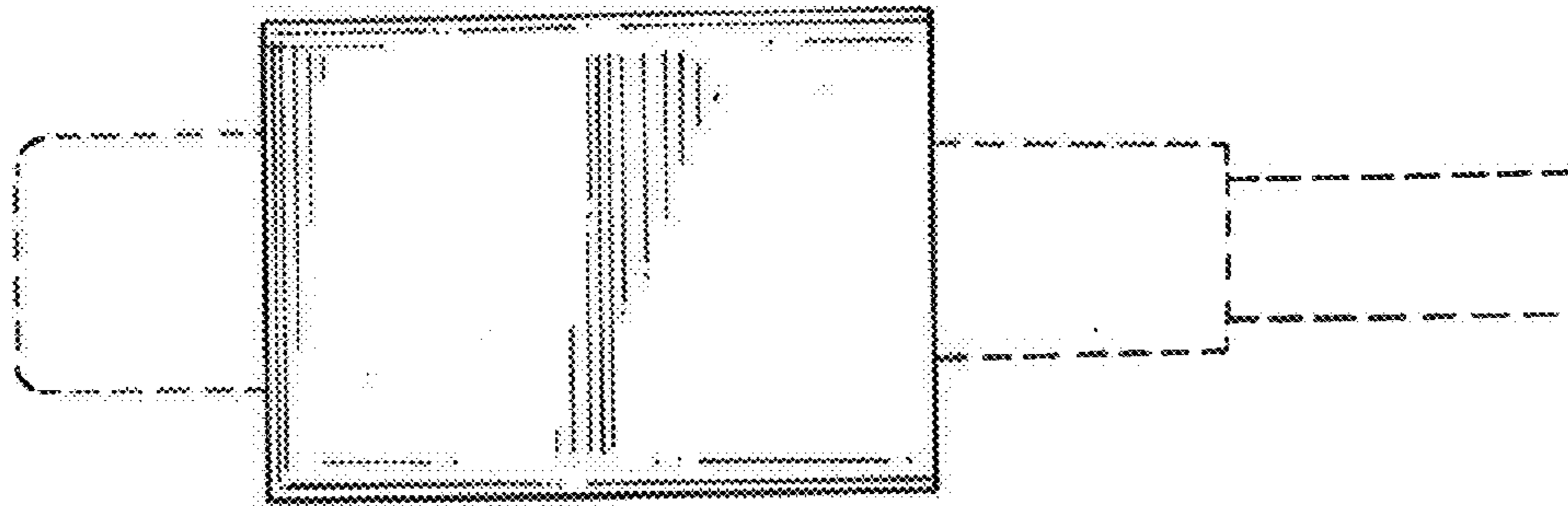


FIG. 3

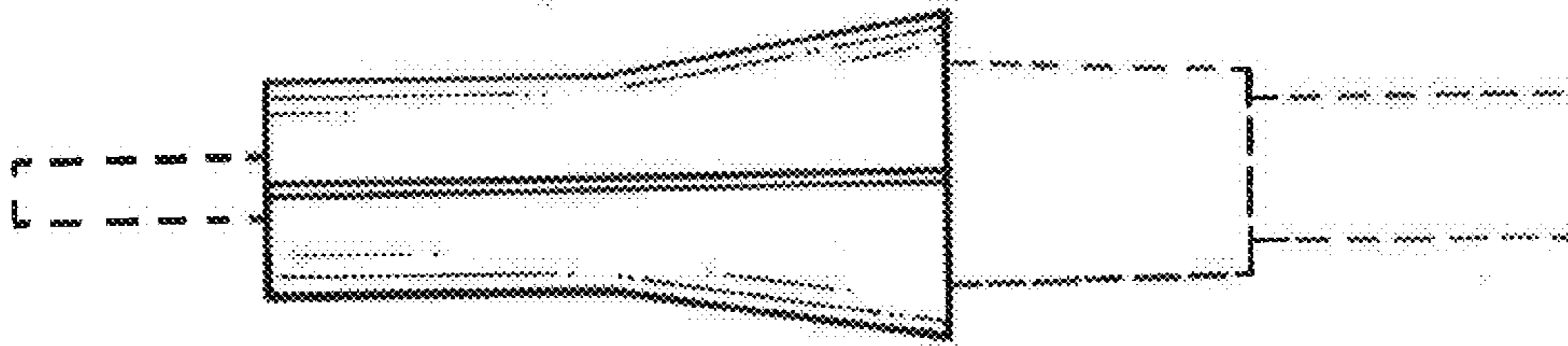


FIG. 4

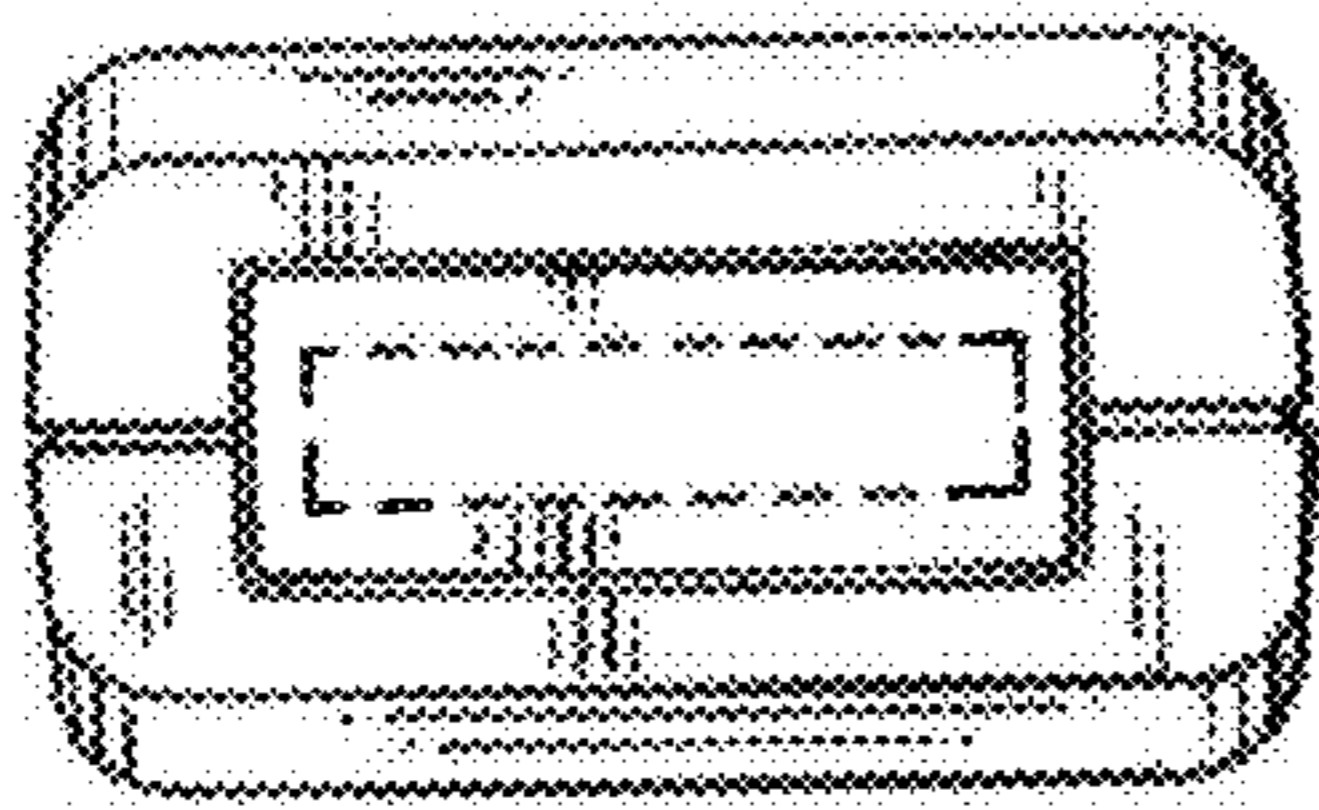


FIG. 5

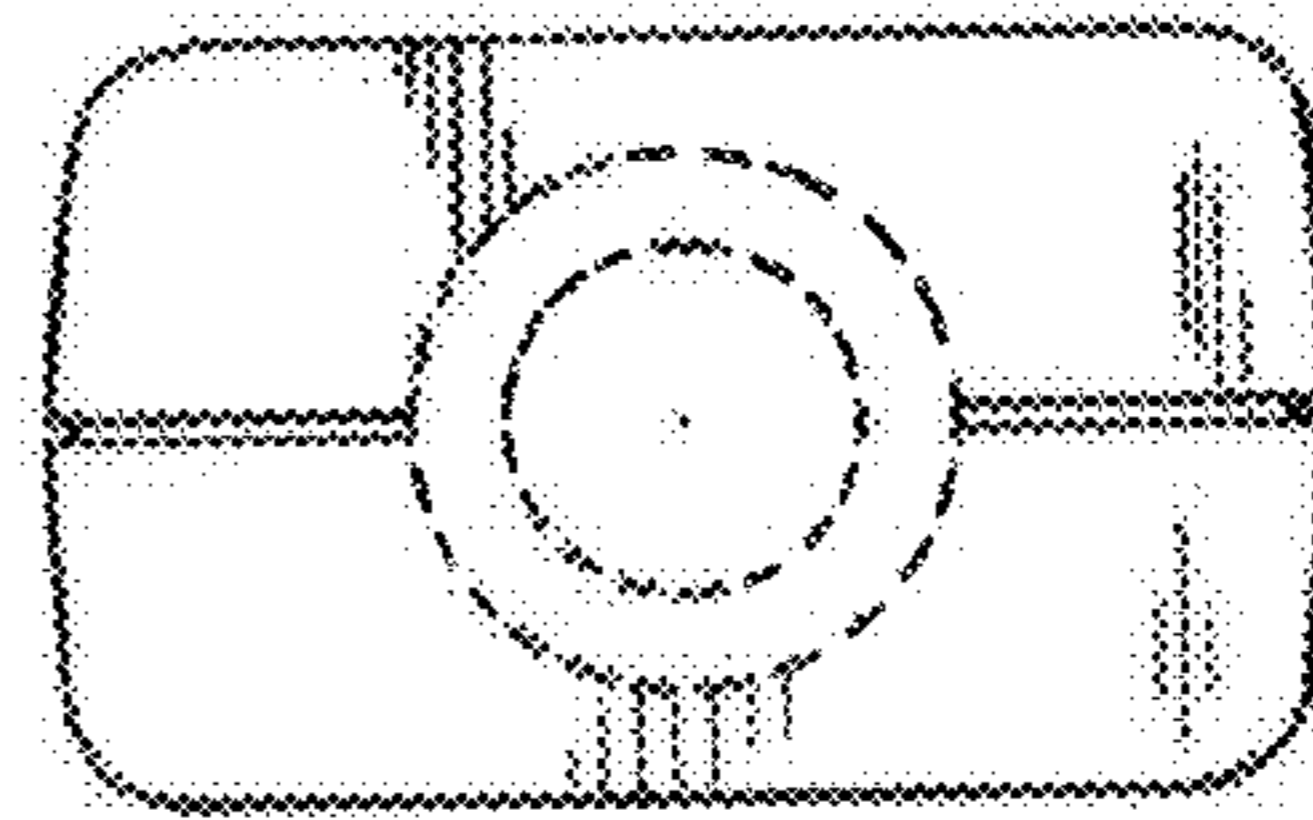


FIG. 6