



US00D699685S

(12) **United States Design Patent**
Hanson

(10) **Patent No.:** **US D699,685 S**

(45) **Date of Patent:** **** Feb. 18, 2014**

(54) **COAXIAL CABLE CONNECTOR**

(71) Applicant: **PPC Broadband, Inc.**, East Syracuse, NY (US)

(72) Inventor: **Brian K. Hanson**, East Syracuse, NY (US)

(73) Assignee: **PPC Broadband, Inc.**, East Syracuse, NY (US)

(**) Term: **14 Years**

(21) Appl. No.: **29/453,129**

(22) Filed: **Apr. 25, 2013**

(51) **LOC (10) Cl.** **13-03**

(52) **U.S. Cl.**
USPC **D13/151**

(58) **Field of Classification Search**
USPC D13/151, 133, 149, 150, 153, 154, 156, D13/184, 199; 439/180, 207, 208, 253-257, 439/374, 378, 380, 527, 543, 578, 583, 585, 439/753, 805, 894, 901; D7/396.6, 523, D7/532; D11/143, 146, 154, 164
See application file for complete search history.

(56) **References Cited**

U.S. PATENT DOCUMENTS

D268,255 S * 3/1983 Waterfield D11/152
D457,782 S * 5/2002 Snell D7/396.6

D475,976 S * 6/2003 Montena D13/151
D508,465 S * 8/2005 Montena D13/154
D513,736 S * 1/2006 Fox D13/151
D611,912 S * 3/2010 Montena D13/151
D620,894 S * 8/2010 Lutz et al. D13/151
D626,920 S * 11/2010 Purdy et al. D13/151
2007/0042642 A1 * 2/2007 Montena et al. 439/578
2008/0064259 A1 * 3/2008 Amidon 439/578
2009/0170360 A1 * 7/2009 Shaw et al. 439/277

* cited by examiner

Primary Examiner — Derrick Holland

(74) *Attorney, Agent, or Firm* — Hiscock & Barclay, LLP

(57) **CLAIM**

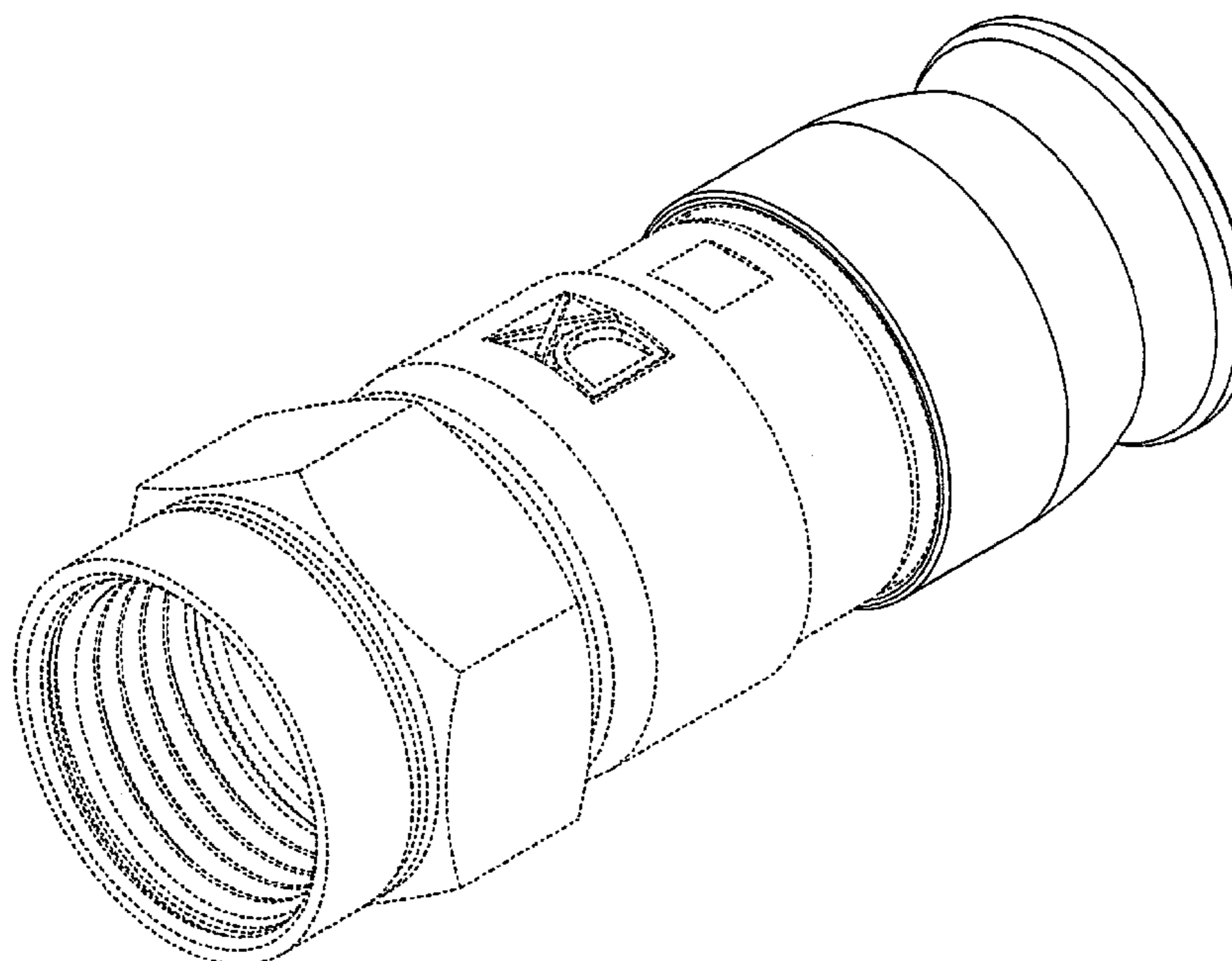
The ornamental design for a coaxial cable connector, as shown and described.

DESCRIPTION

FIG. 1 is a front perspective view of a coaxial cable connector; FIG. 2 is a left side view thereof; FIG. 3 is a right side view thereof; FIG. 4 is a bottom view thereof; FIG. 5 is a top view thereof; FIG. 6 is a front view thereof; and, FIG. 7 is a back view thereof.

The broken line portion of the figure drawings is included for the purpose of illustrating environment and forms no part of the claimed design.

1 Claim, 7 Drawing Sheets



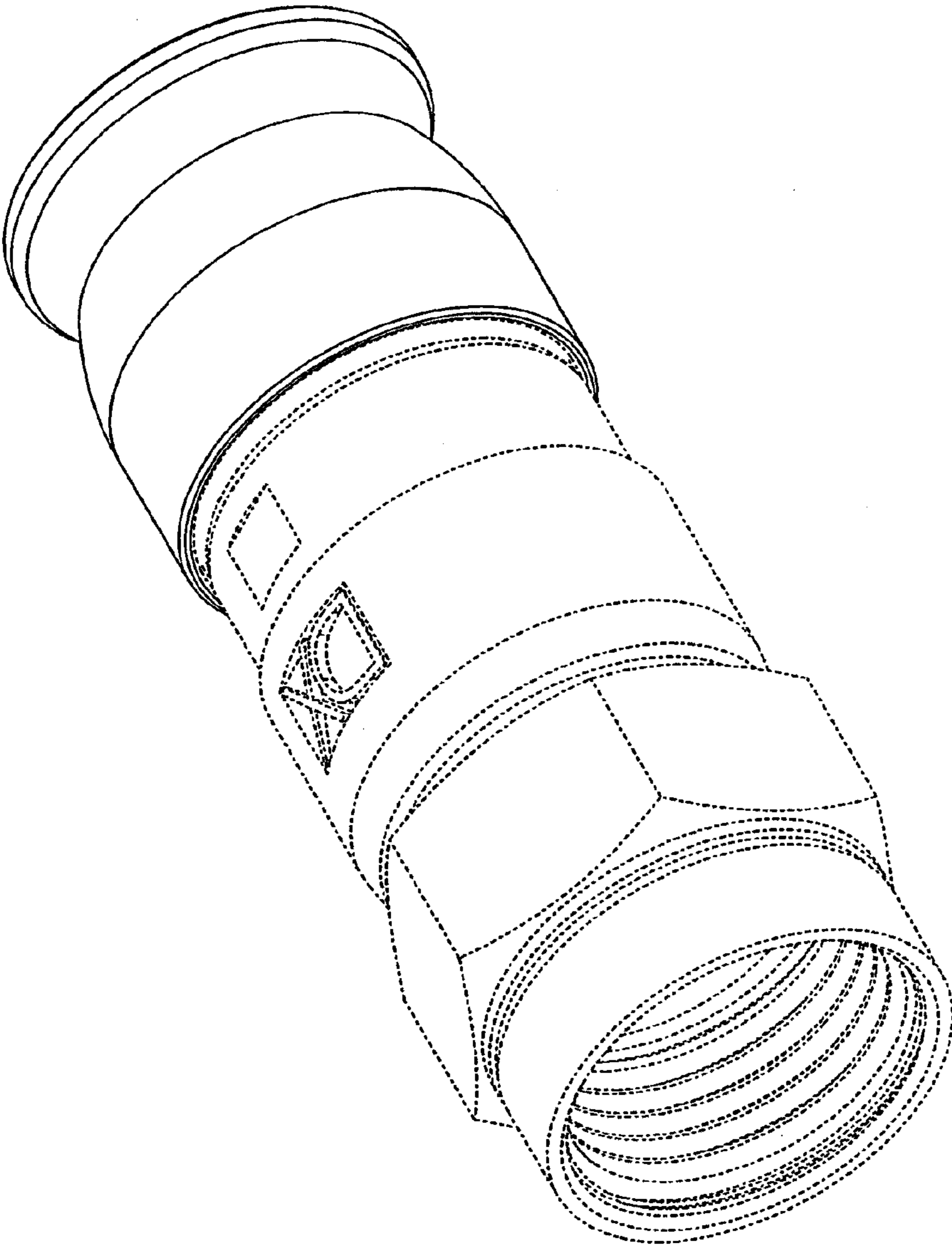


FIG. 1

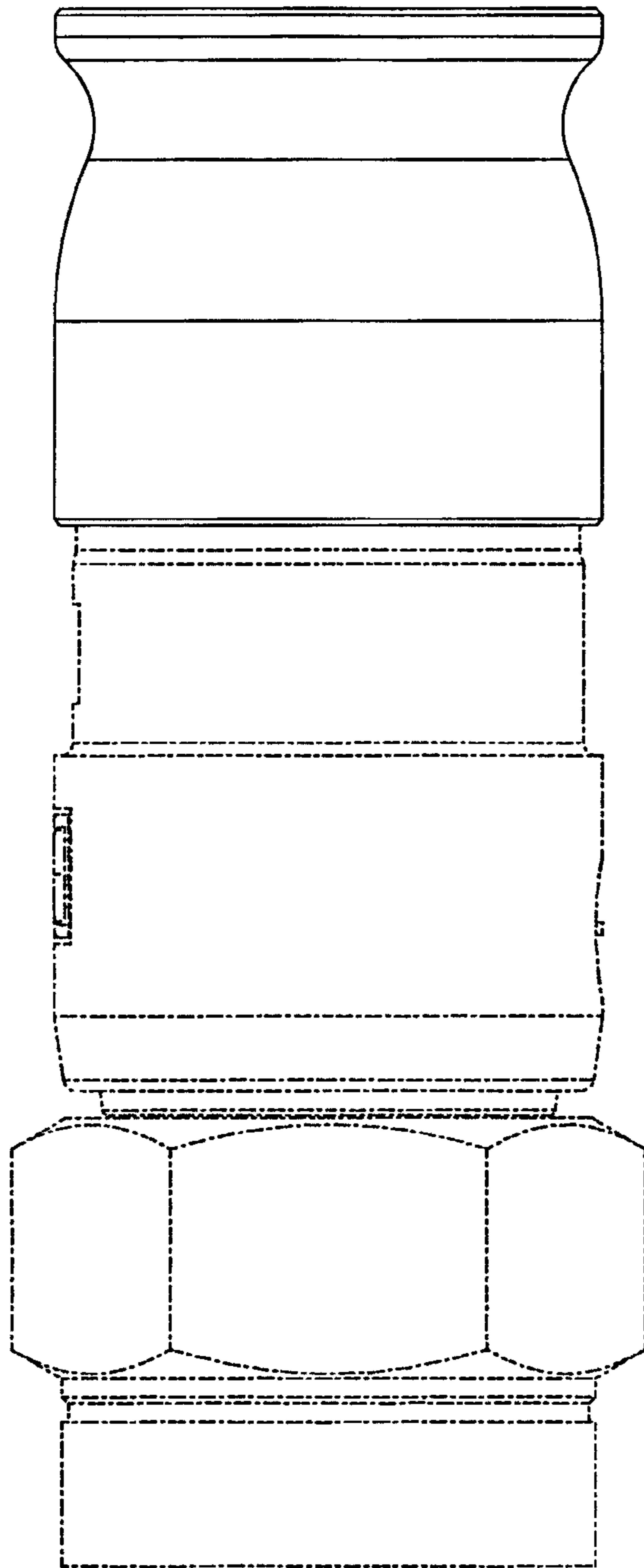


FIG. 2

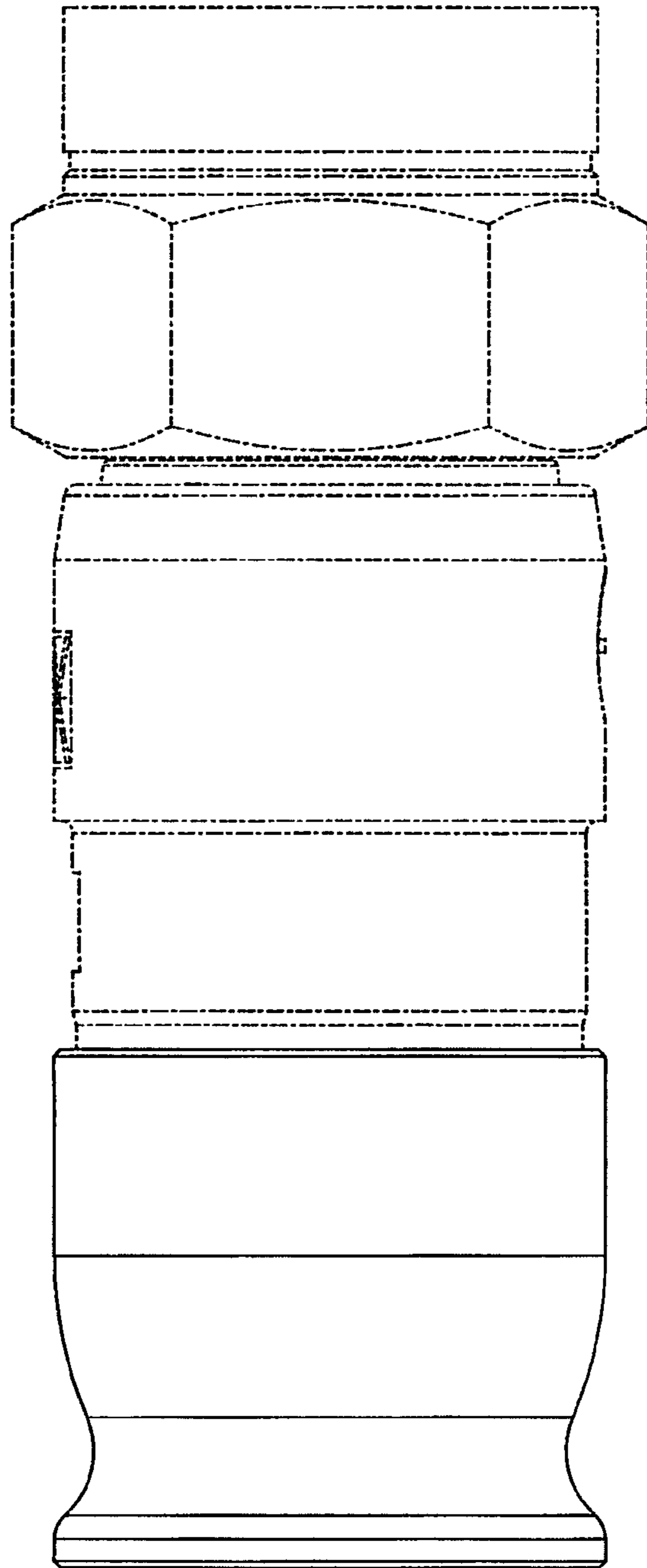


FIG. 3

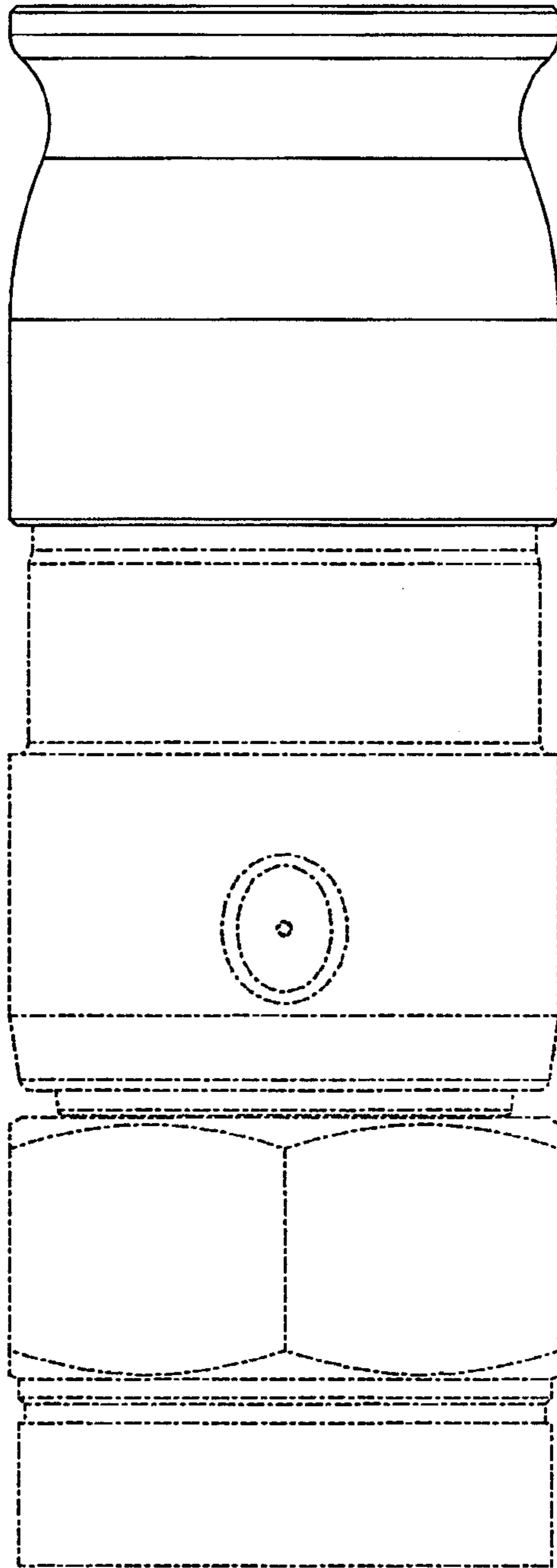


FIG. 4

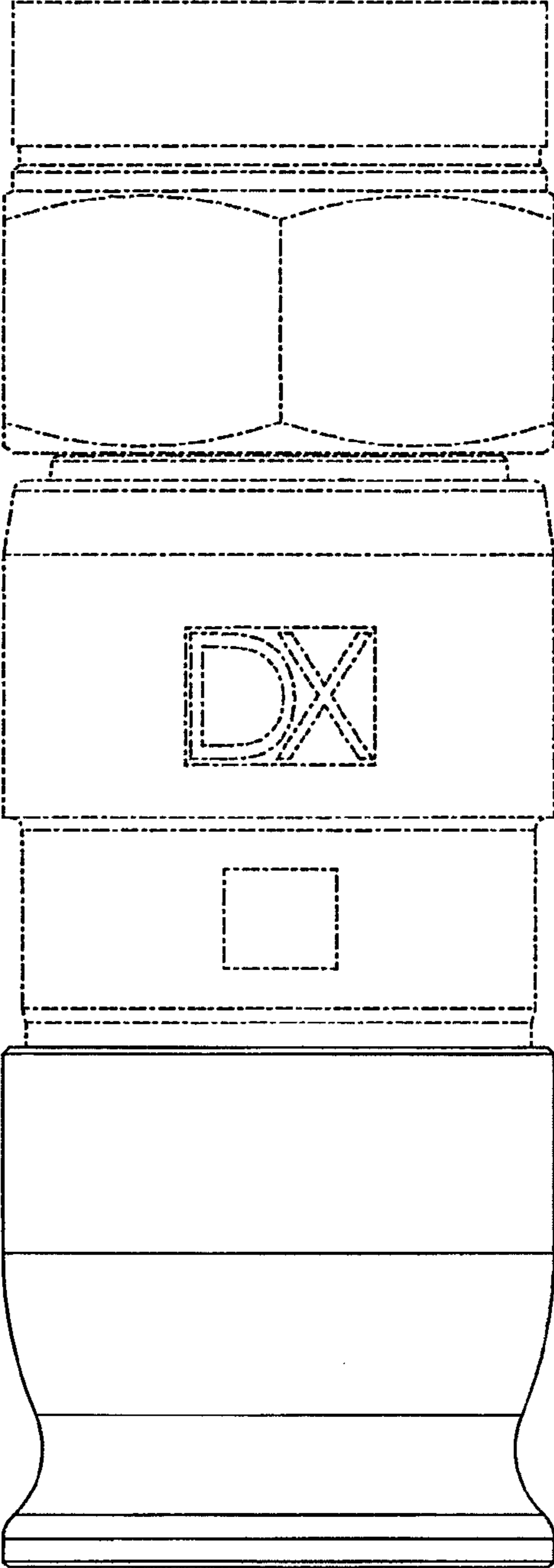


FIG. 5

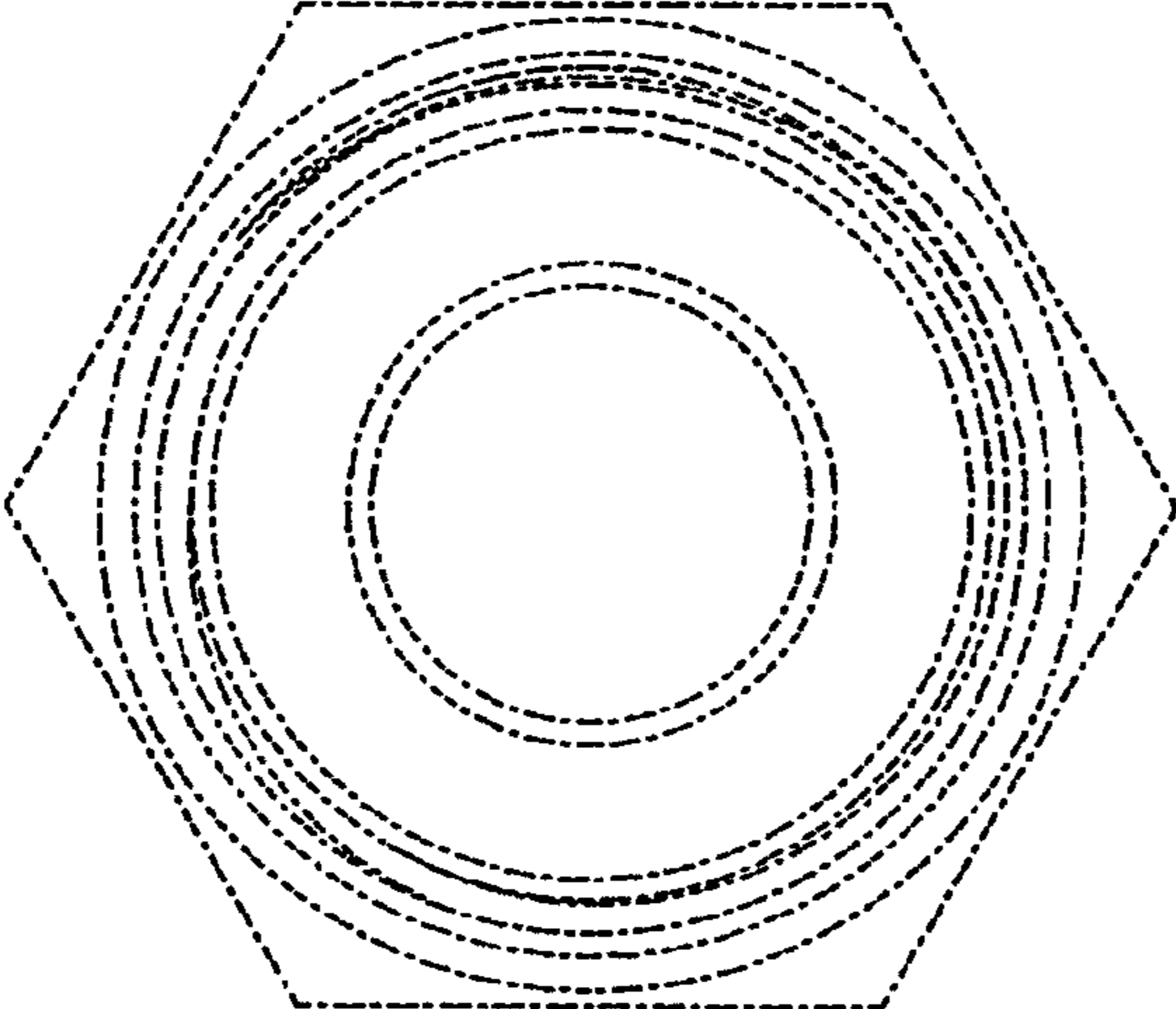


FIG. 6

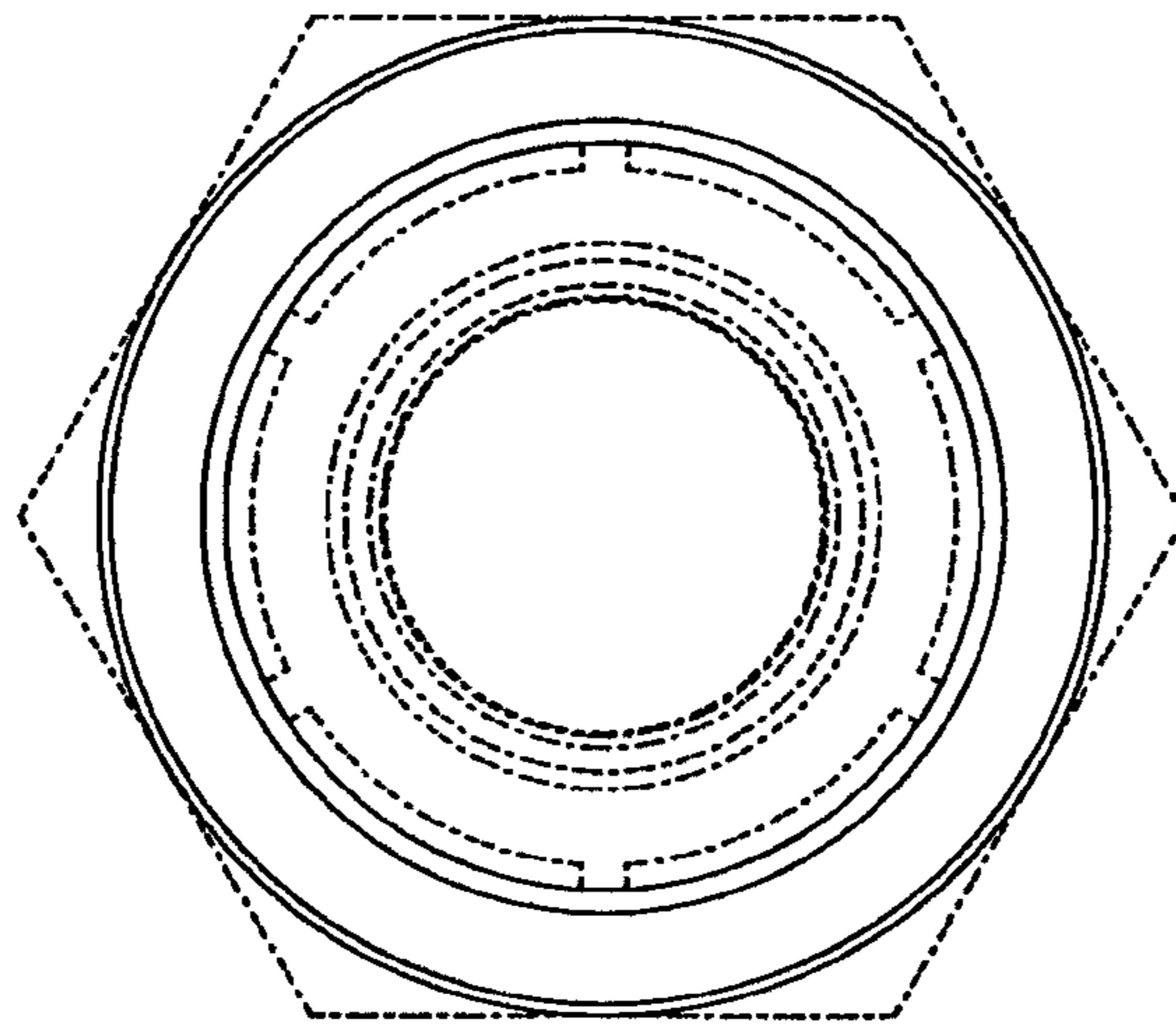


FIG. 7