



US00D699682S

(12) **United States Design Patent**
Yokoyama

(10) **Patent No.:** **US D699,682 S**

(45) **Date of Patent:** **** Feb. 18, 2014**

(54) **ELECTRICAL CONNECTOR**

(71) Applicant: **Japan Aviation Electronics Industry, Limited**, Tokyo (JP)

(72) Inventor: **Yohei Yokoyama**, Tokyo (JP)

(73) Assignee: **Japan Aviation Electronics Industry, Limited**, Tokyo (JP)

(**) Term: **14 Years**

(21) Appl. No.: **29/434,397**

(22) Filed: **Oct. 12, 2012**

(30) **Foreign Application Priority Data**

Apr. 12, 2012 (JP) 2012-008650

(51) **LOC (10) Cl.** **13-03**

(52) **U.S. Cl.**
USPC **D13/147**

(58) **Field of Classification Search**

USPC D13/147, 154, 184, 199; 439/79, 108,
439/350, 353, 357, 378, 476.1, 489, 587,
439/594, 595, 598, 607.01, 607.04, 607.05,
439/607.17, 607.25, 607.34, 607.41,
439/607.53, 656, 660, 668, 680, 711, 745,
439/752

See application file for complete search history.

(56) **References Cited**

U.S. PATENT DOCUMENTS

D489,039 S * 4/2004 Kawase et al. D13/147

D617,282 S * 6/2010 Tung et al. D13/147
D636,339 S * 4/2011 Hsu et al. D13/147
D638,365 S * 5/2011 Hsu et al. D13/147
D671,896 S * 12/2012 Wang et al. D13/147
D686,162 S * 7/2013 Yokohama D13/147
D686,575 S * 7/2013 Sato D13/147
D689,438 S * 9/2013 Yu et al. D13/147

* cited by examiner

Primary Examiner — Daniel Bui

(74) *Attorney, Agent, or Firm* — Westerman, Hattori, Daniels & Adrian, LLP

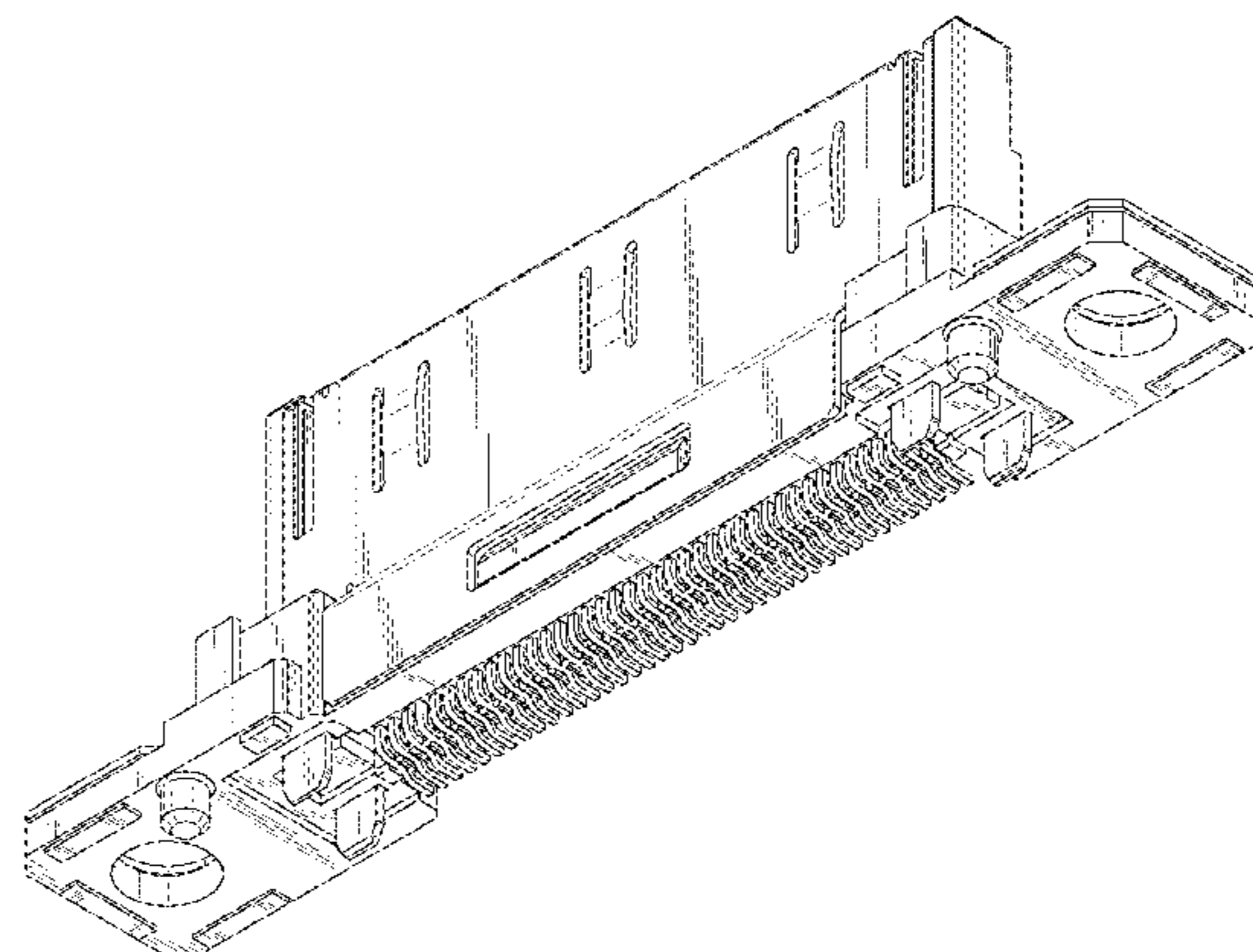
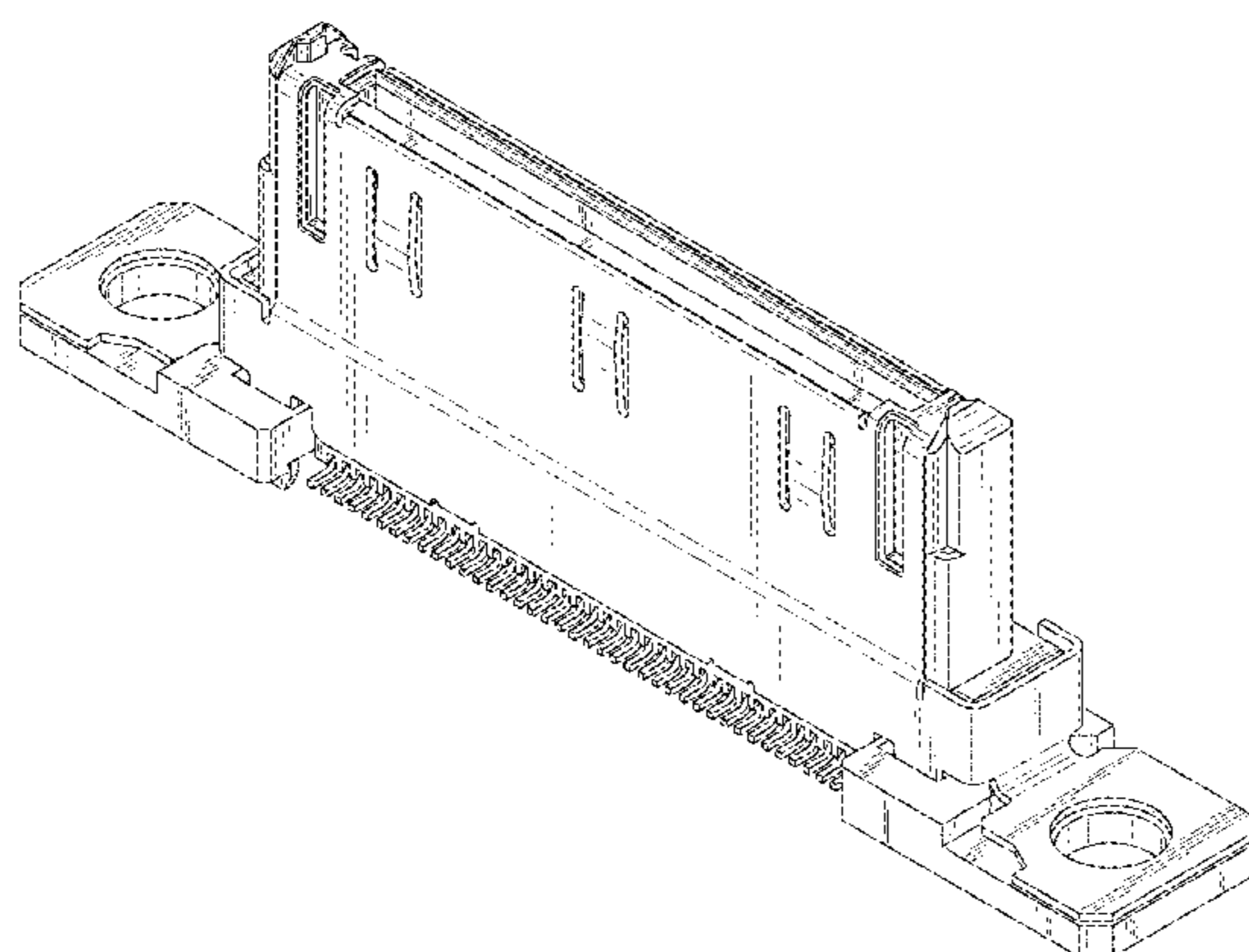
(57) **CLAIM**

The ornamental design for an electrical connector, as shown and described.

DESCRIPTION

FIG. 1 is a front elevational view of an electrical connector, showing my new design;
FIG. 2 is a rear elevational view thereof;
FIG. 3 is a right side elevational view thereof;
FIG. 4 is a left side elevational view thereof;
FIG. 5 is a top plan view thereof;
FIG. 6 is a bottom plan view thereof;
FIG. 7 is a right front perspective view showing the top thereof;
FIG. 8 is a left rear perspective view showing the bottom thereof;
FIG. 9 is a right front perspective view showing the bottom thereof; and,
FIG. 10 is a left rear perspective view showing the top thereof.

1 Claim, 10 Drawing Sheets



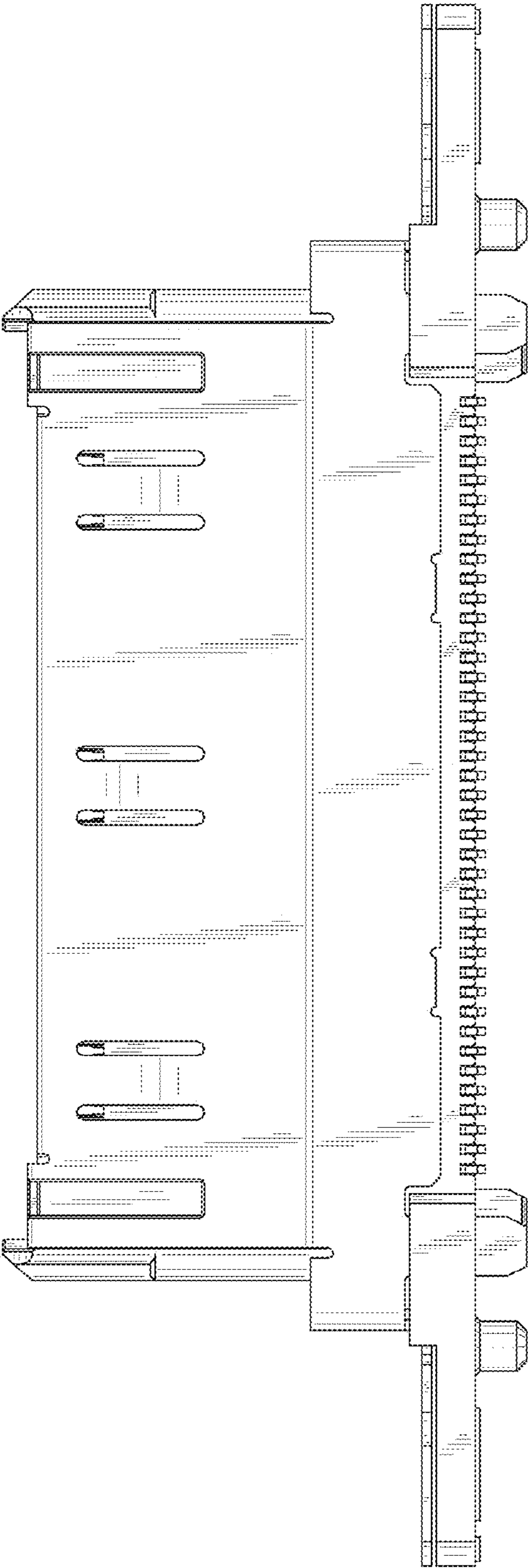


FIG.1

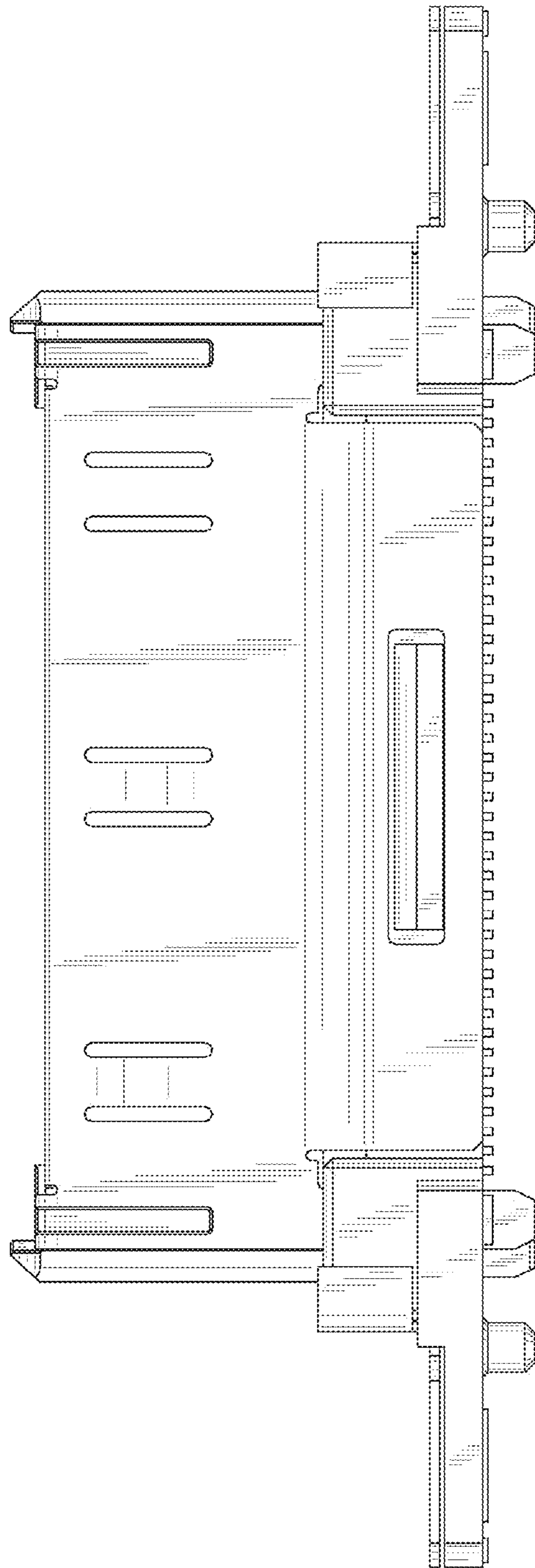


FIG.2

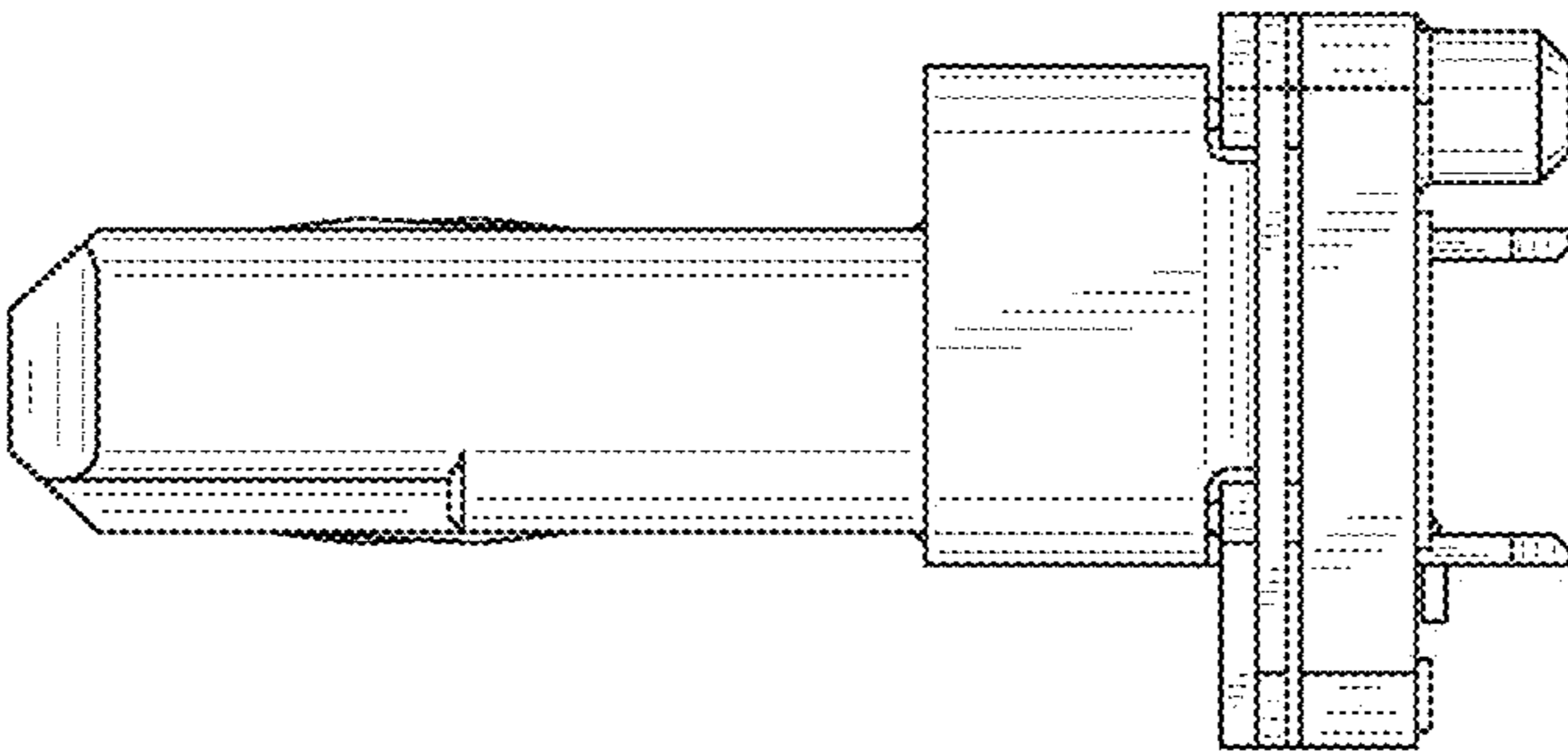


FIG. 3

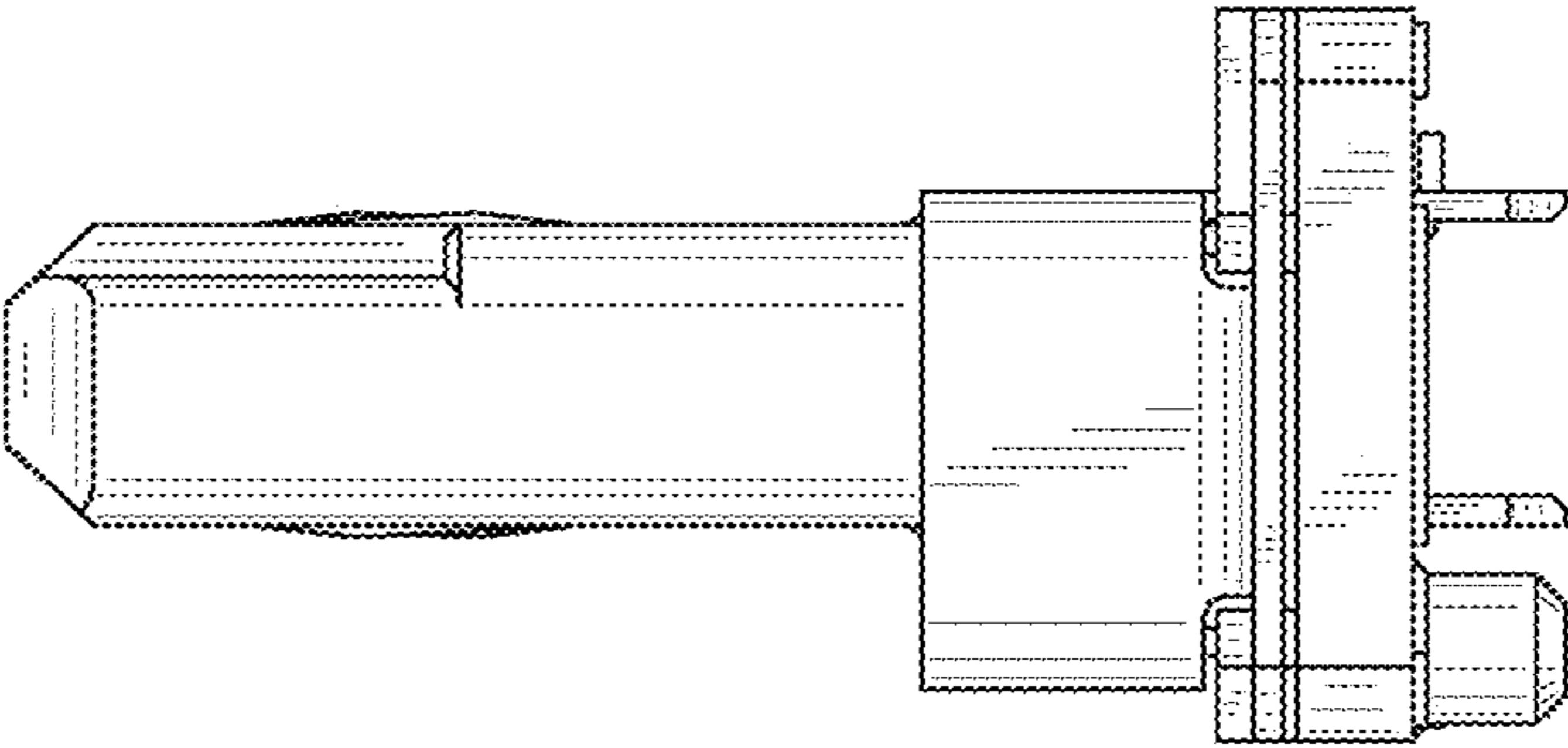


FIG.4

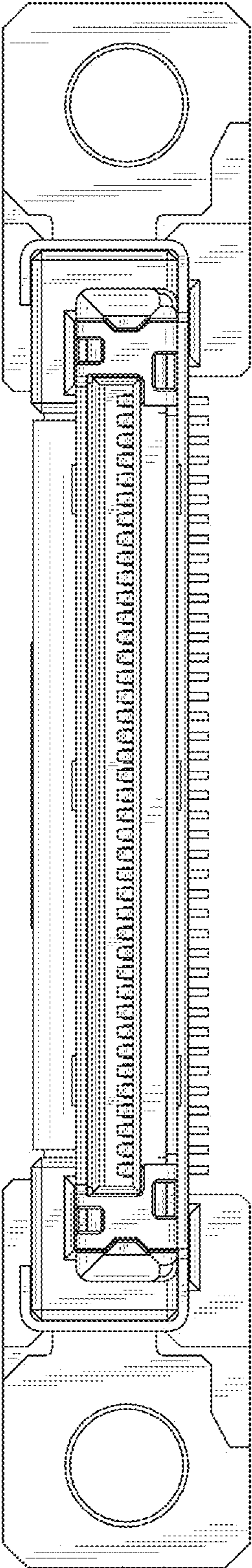


FIG. 5

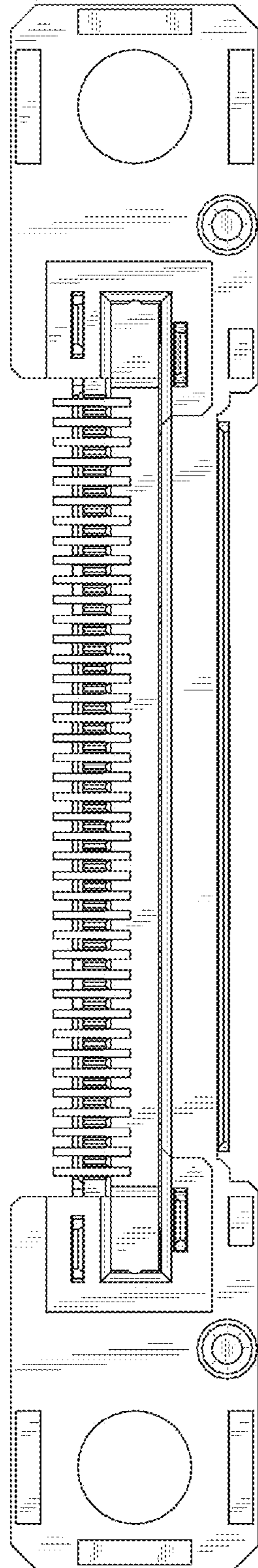
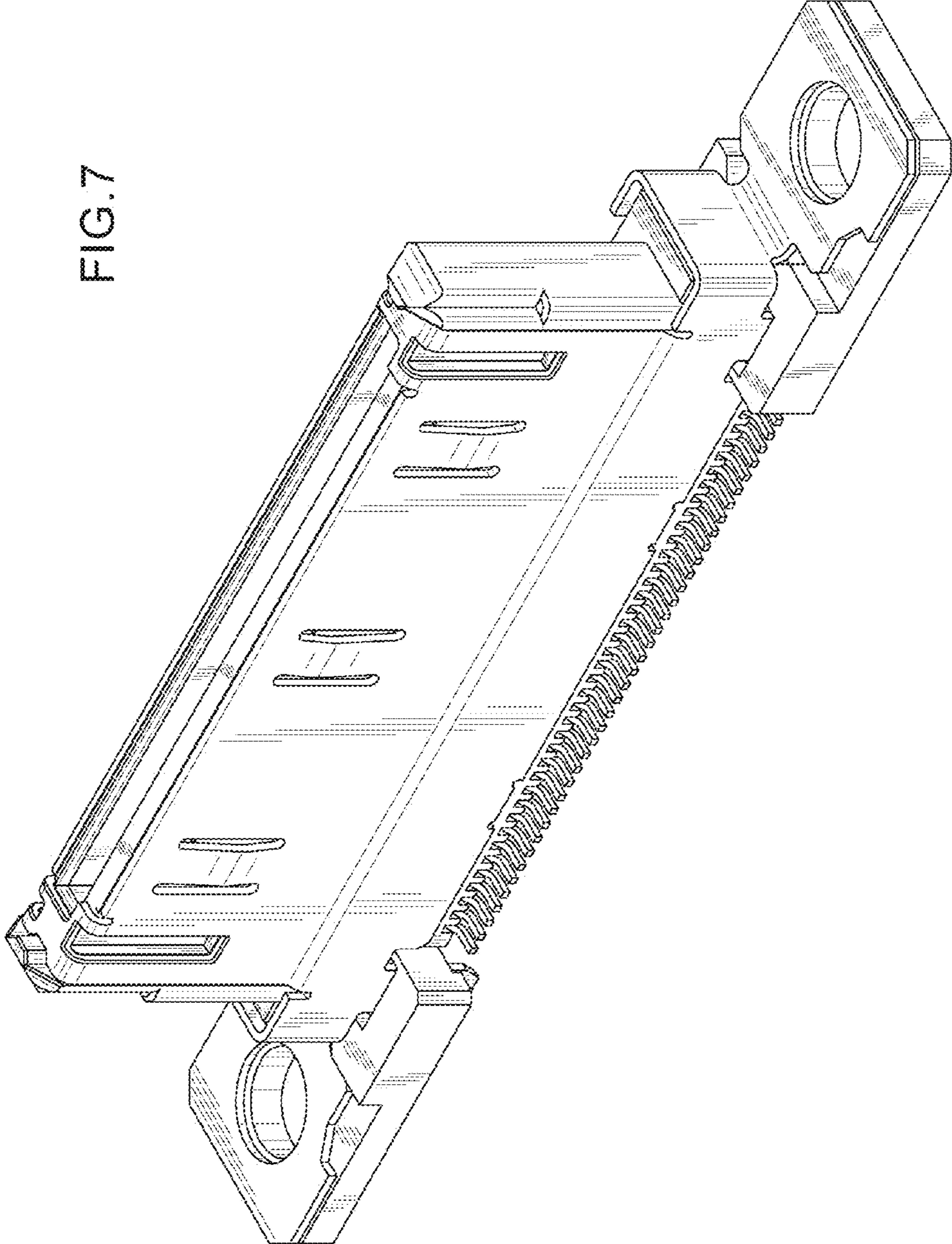


FIG. 6

FIG. 7



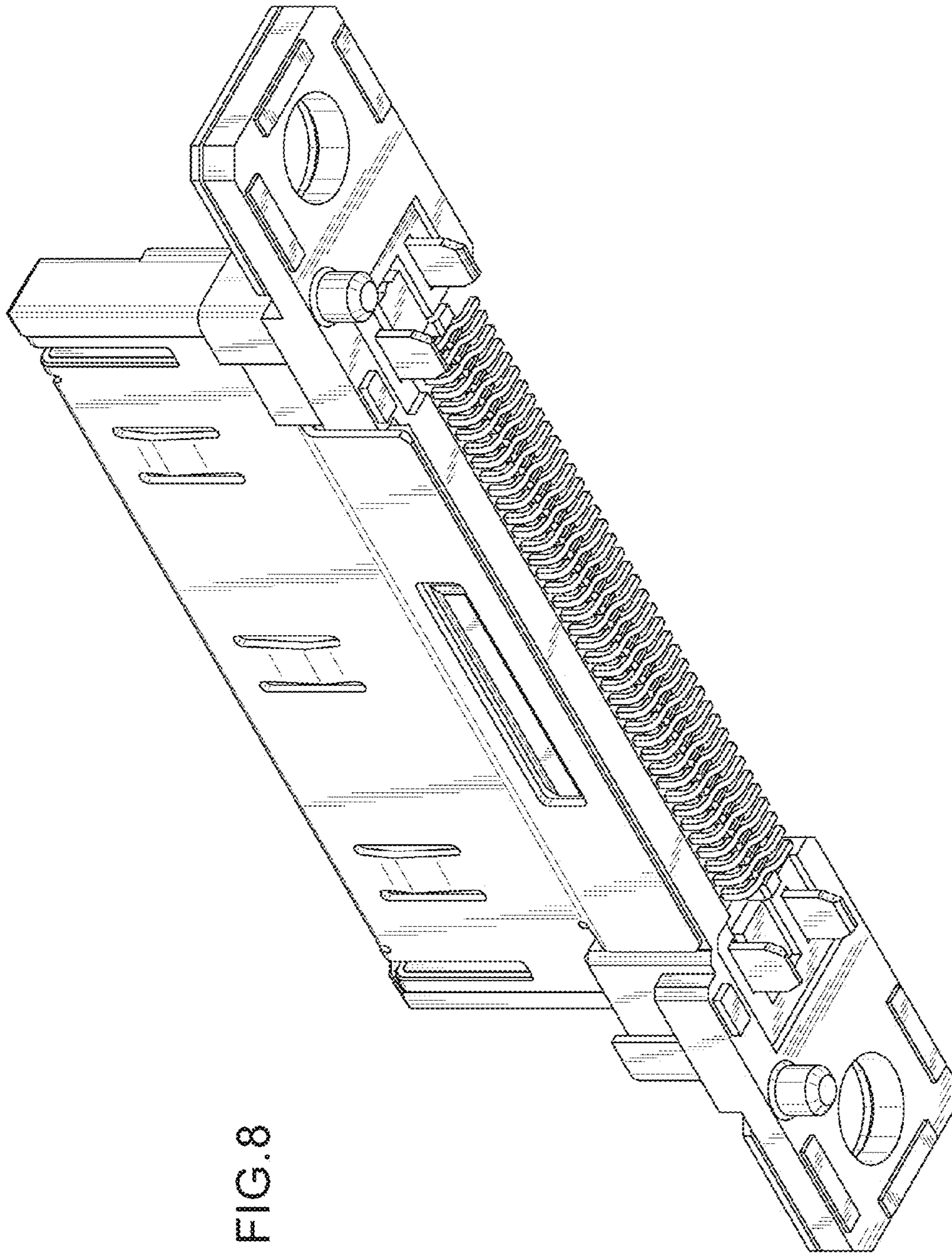


FIG. 8

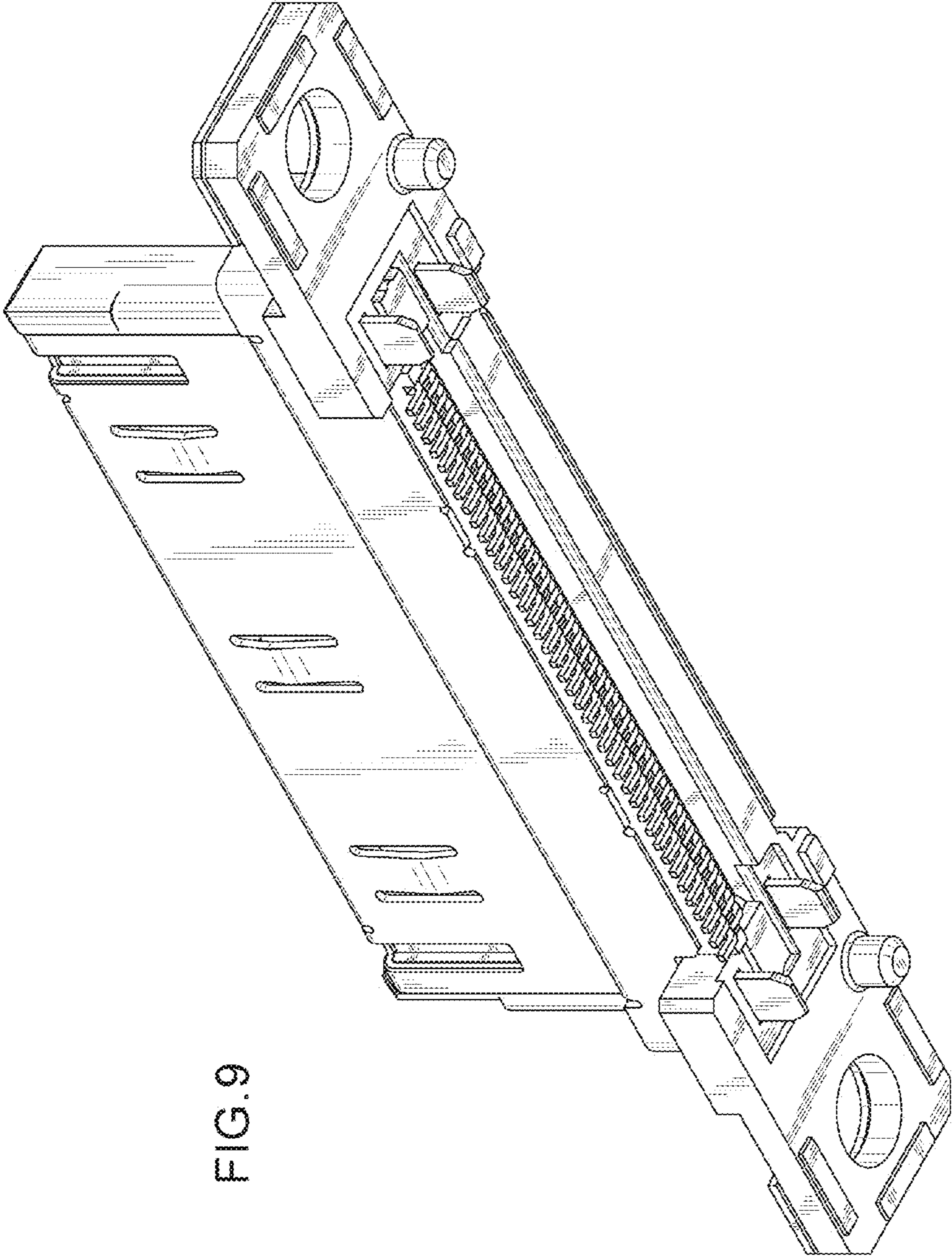


FIG. 9

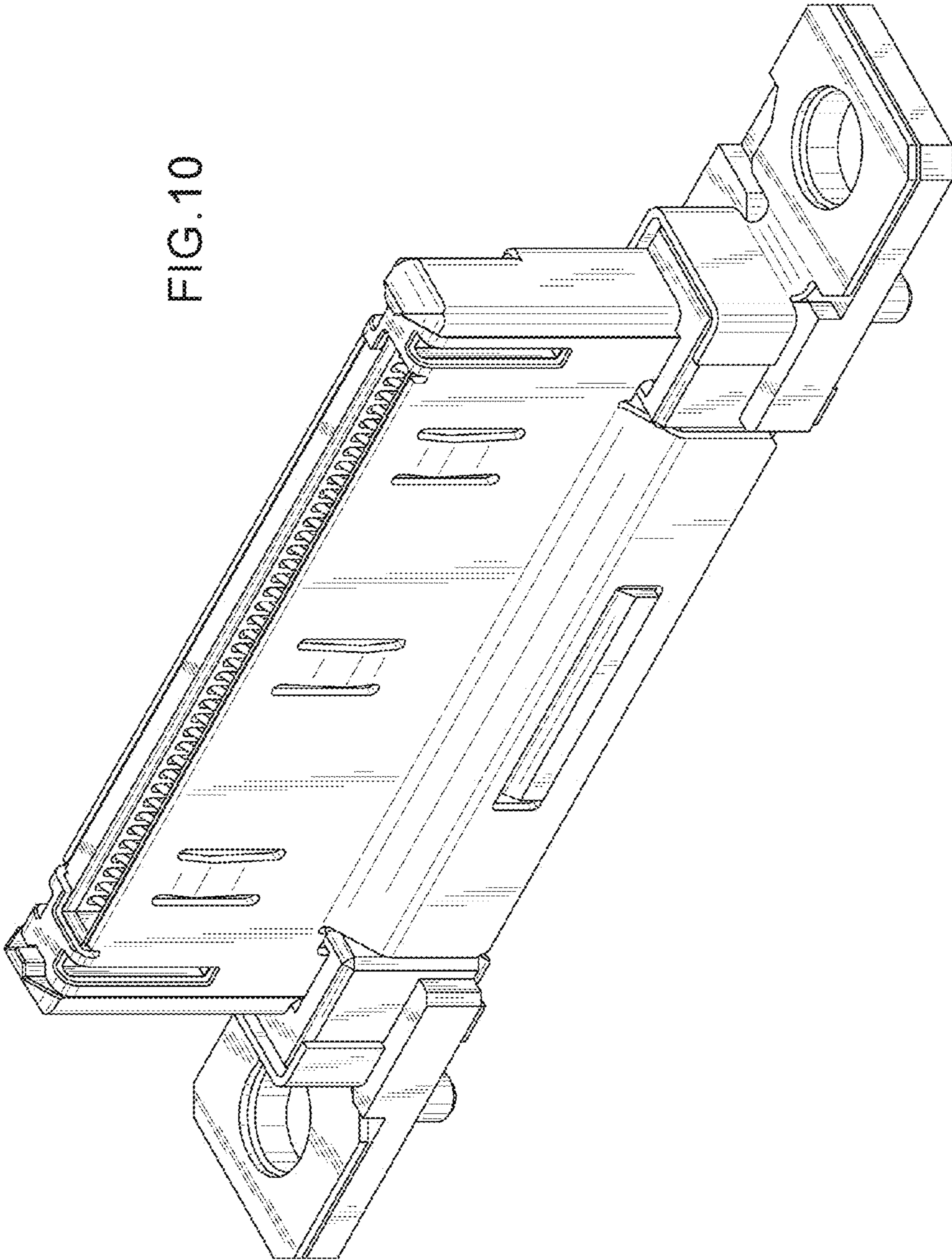


FIG. 10