



US00D699680S

(12) **United States Design Patent**
Takamoto et al.

(10) **Patent No.:** **US D699,680 S**
(45) **Date of Patent:** **** Feb. 18, 2014**

(54) **CONNECTOR PLUG**
(71) Applicant: **Nintendo Co., Ltd.**, Kyoto (JP)
(72) Inventors: **Junji Takamoto**, Kyoto (JP); **Naoya Yamamoto**, Kyoto (JP); **Hitoshi Tsuchiya**, Kyoto (JP); **Yuji Hori**, Kyoto (JP); **Takafumi Nishida**, Kyoto (JP); **Hiroki Ikuta**, Kyoto (JP); **Kenichiro Ashida**, Kyoto (JP); **Masato Ibuki**, Kyoto (JP); **Shinji Yamamoto**, Kyoto (JP); **Fumiyoshi Suetake**, Kyoto (JP); **Akiko Suga**, Kyoto (JP)

D468,692 S 1/2003 Ashida et al.
D475,018 S 5/2003 Ashida et al.
D533,503 S 12/2006 Ashida et al.
D550,159 S 9/2007 Kawanobe
D553,087 S 10/2007 Ashida et al.
D553,567 S 10/2007 Kawanobe
D557,659 S * 12/2007 Ashida et al. D13/133
D558,677 S 1/2008 Ashida et al.
D558,682 S 1/2008 Ashida et al.
D562,769 S 2/2008 Ashida et al.
D568,821 S 5/2008 Ashida et al.
D568,823 S 5/2008 Ashida et al.
D586,293 S 2/2009 Fujino
D601,502 S 10/2009 Miyatake et al.
D604,247 S * 11/2009 Zhao et al. D13/147
D620,449 S * 7/2010 Lee et al. D13/154
D691,093 S * 10/2013 Yu et al. D13/147
2013/0090020 A1 * 4/2013 Zhang 439/660

(73) Assignee: **Nintendo Co., Ltd.**, Kyoto (JP)

(**) Term: **14 Years**

(21) Appl. No.: **29/438,822**

(22) Filed: **Dec. 4, 2012**

(30) **Foreign Application Priority Data**

Jun. 4, 2012 (JP) 2012-013255

(51) **LOC (10) Cl.** **13-03**

(52) **U.S. Cl.**
USPC **D13/133**

(58) **Field of Classification Search**
USPC D13/133, 146, 147, 154, 184, 199;
439/79, 248, 258, 274, 350, 353, 358,
439/447, 660, 607.01, 607.02, 607.04,
439/607.05, 607.17, 607.25, 607.34,
439/607.53, 677, 680, 682, 686
See application file for complete search history.

(56) **References Cited**

U.S. PATENT DOCUMENTS

D381,628 S 7/1997 Ashida
D453,320 S 2/2002 Sugino
D453,498 S 2/2002 Fujita

OTHER PUBLICATIONS

Design U.S. Appl. No. 29/438,847, filed Dec. 4, 2012 (pending).
Design U.S. Appl. No. 29/438,838, filed Dec. 4, 2012 (pending).

* cited by examiner

Primary Examiner — Thomas Johannes

(74) *Attorney, Agent, or Firm* — Nixon & Vanderhye, P.C.

(57) **CLAIM**

The ornamental designs for a connector plug, as shown and described.

DESCRIPTION

FIG. 1 is a front, bottom and right perspective view of a connector plug of our new design;
FIG. 2 is a rear, top and right perspective view thereof;
FIG. 3 is a front view thereof;
FIG. 4 is a rear view thereof;
FIG. 5 is a top plan view thereof;
FIG. 6 is a bottom plan view thereof;
FIG. 7 is a left side view thereof; and,
FIG. 8 is a right side view thereof.

1 Claim, 2 Drawing Sheets

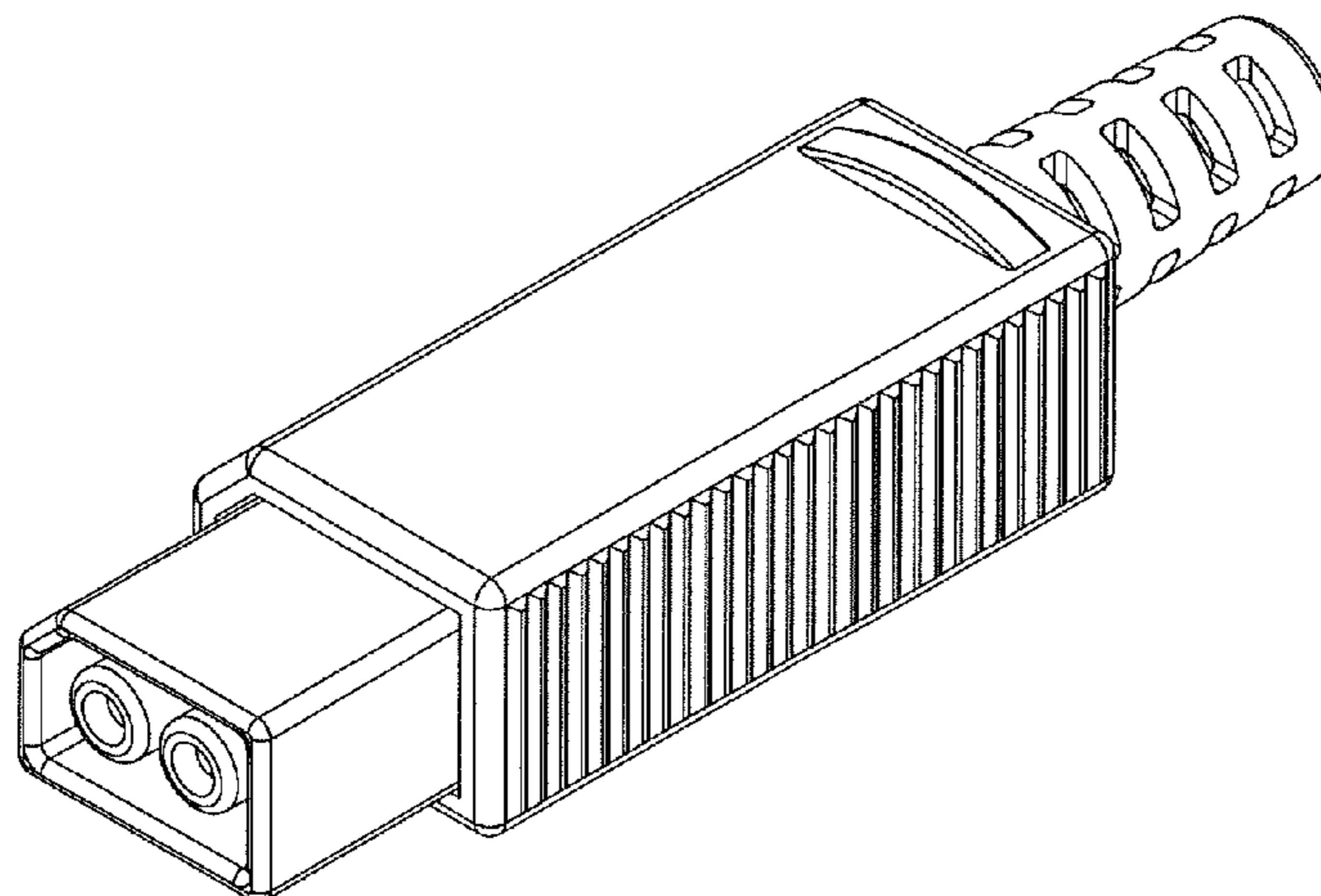


FIG. 1

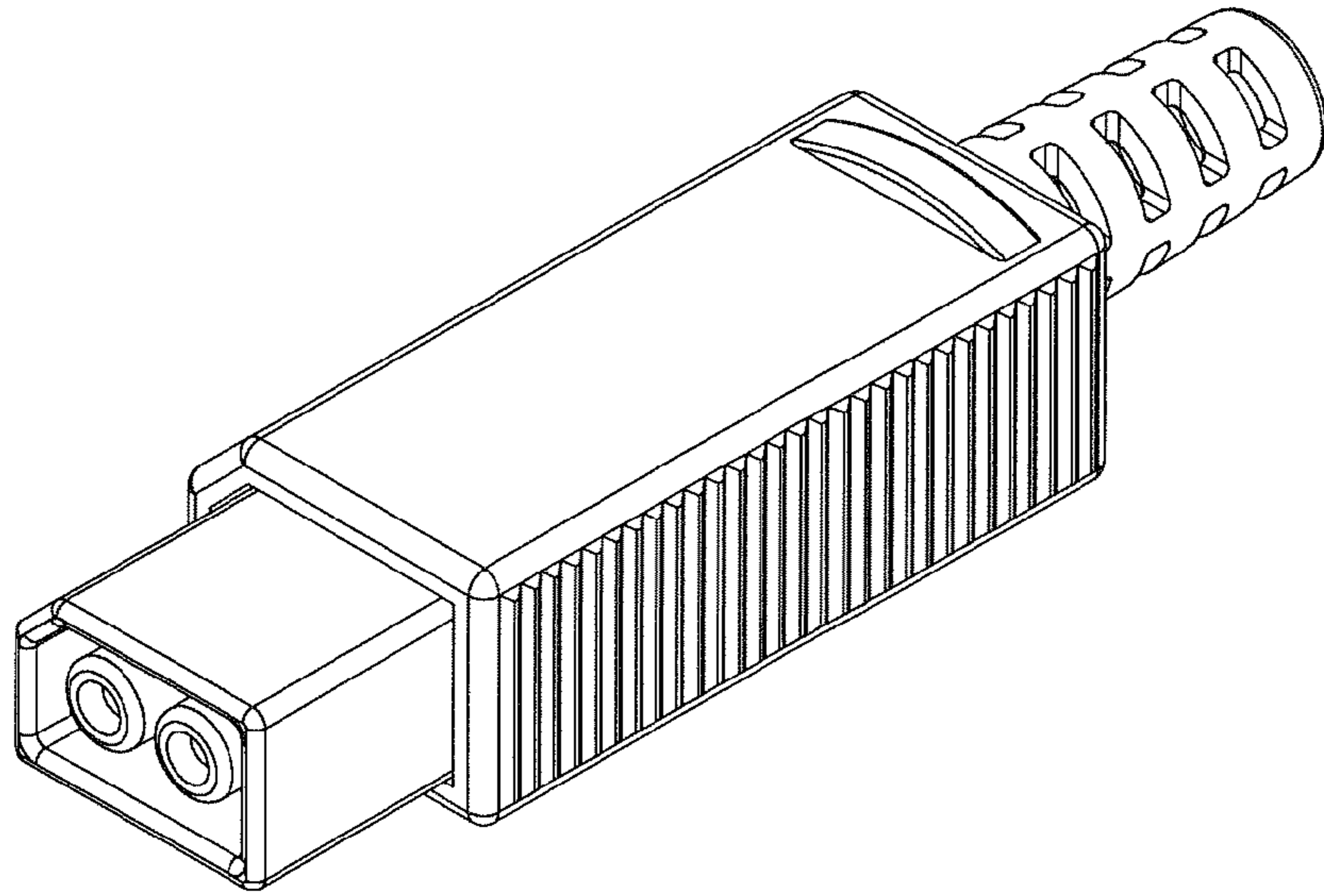


FIG. 2

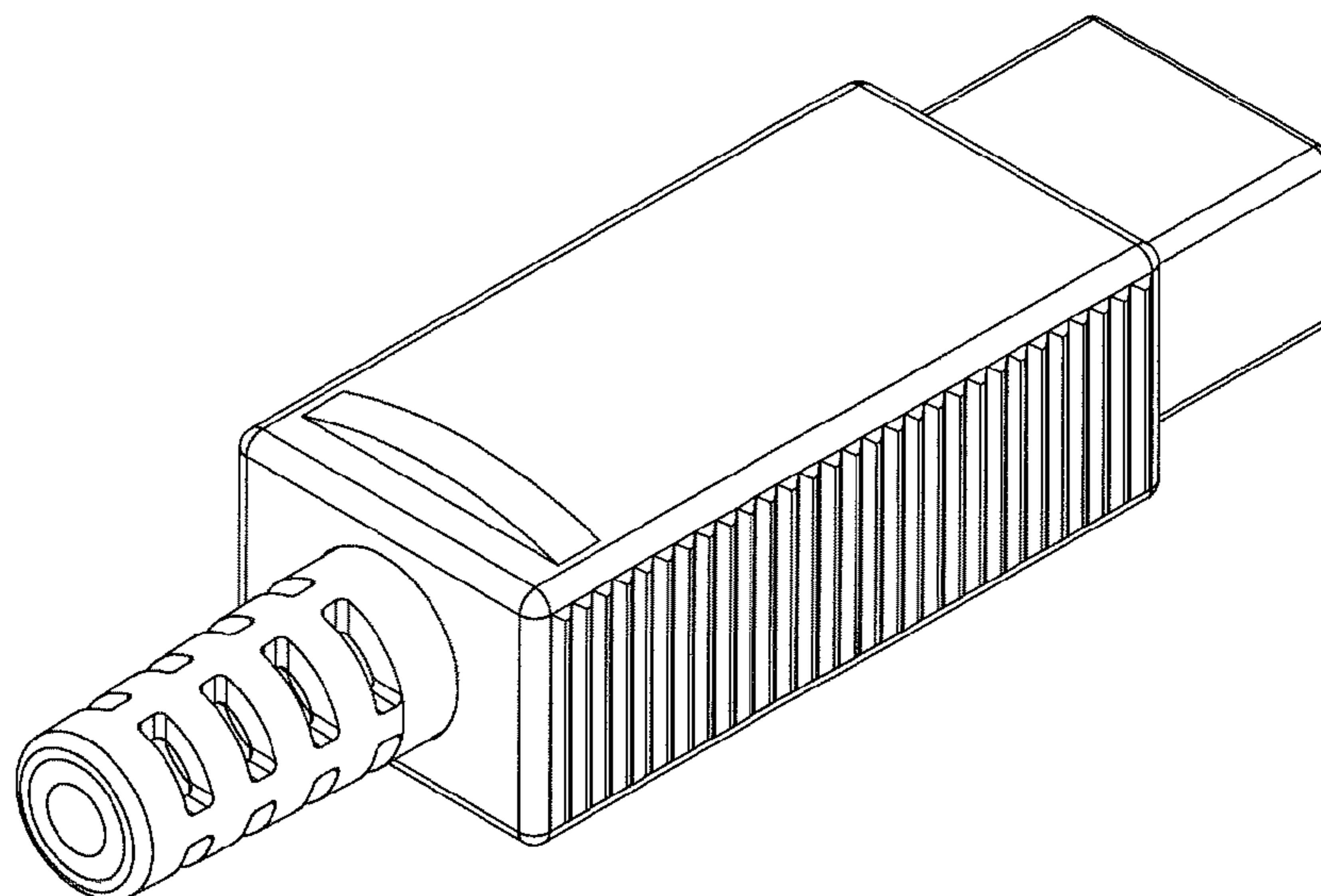


FIG. 3

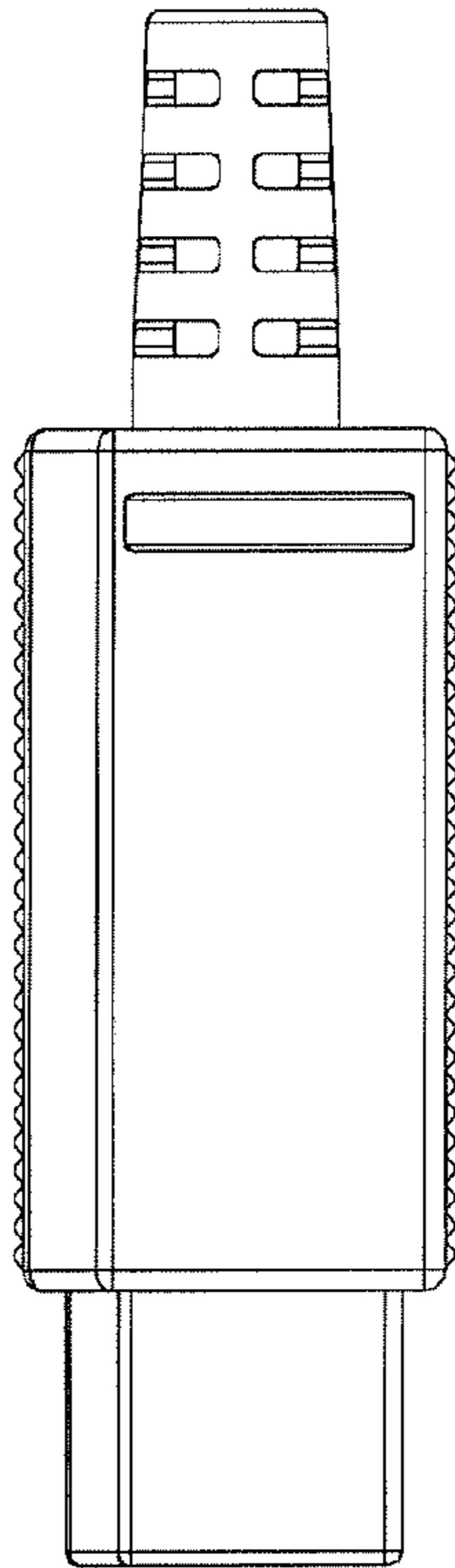


FIG. 4

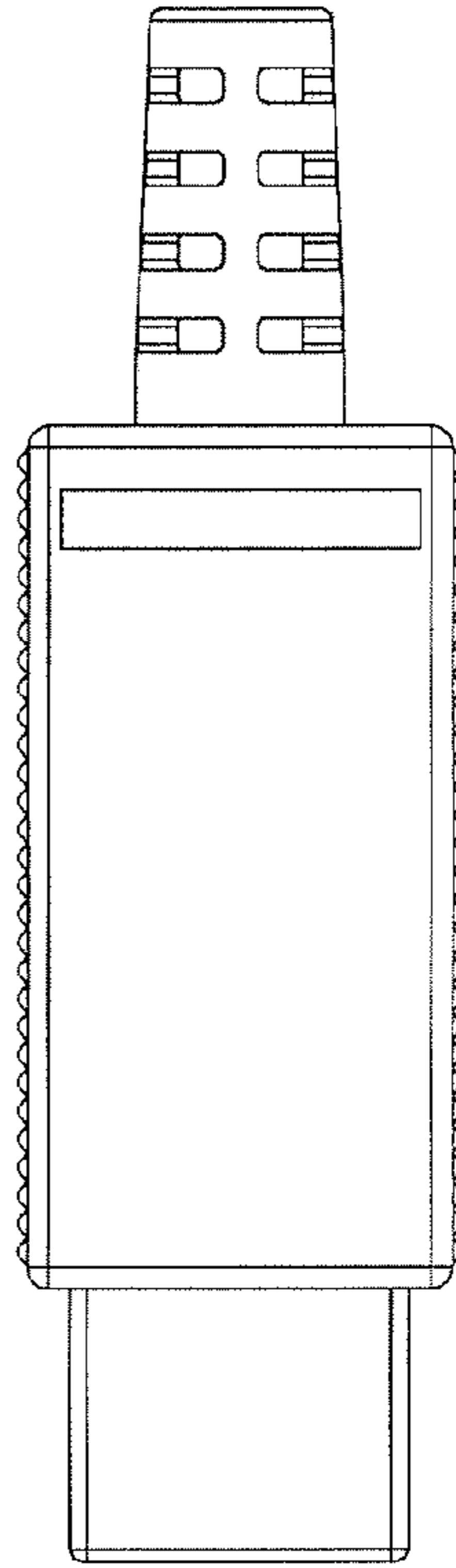


FIG. 5

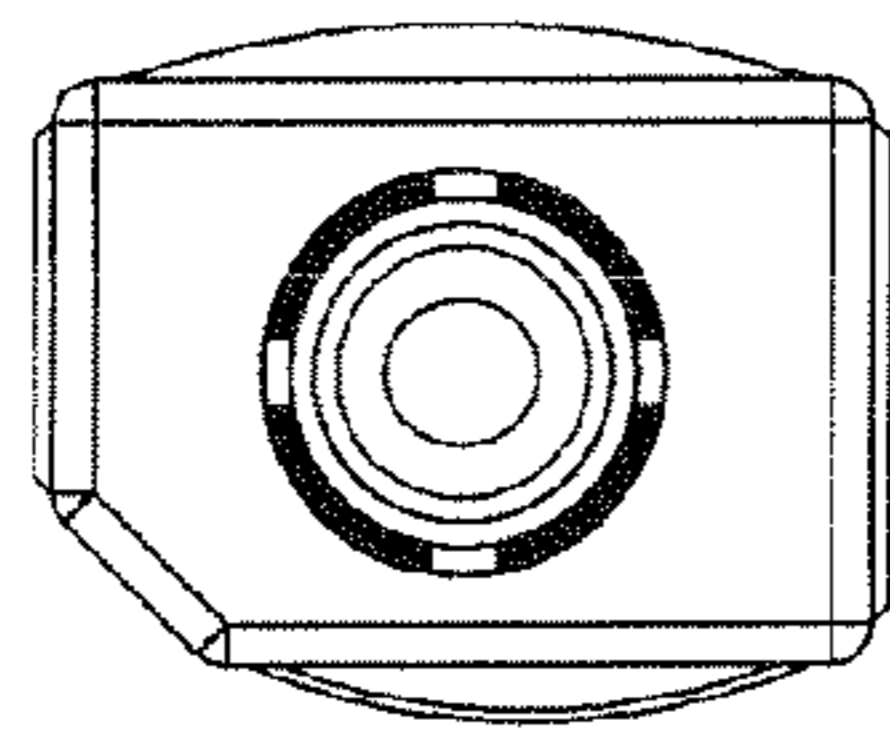


FIG. 6

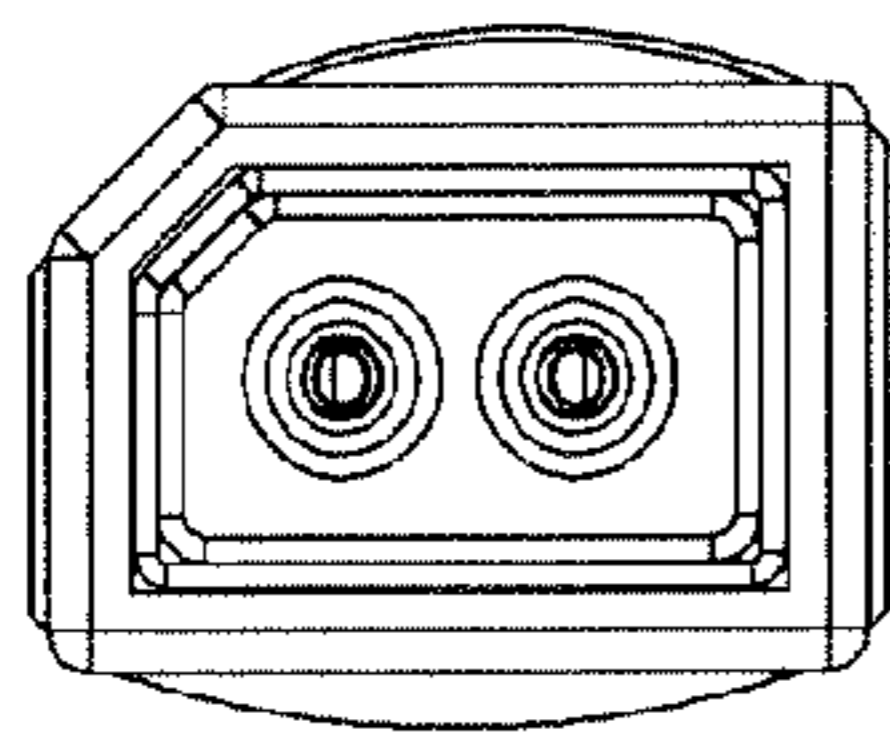


FIG. 7

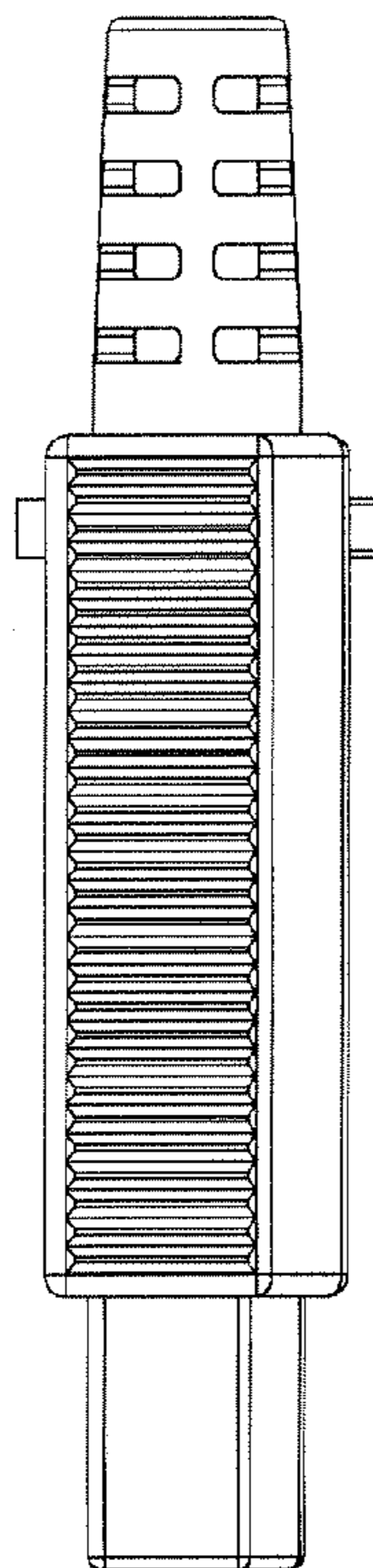


FIG. 8

