



US00D699679S

(12) **United States Design Patent**
Sticker et al.

(10) **Patent No.:** **US D699,679 S**

(45) **Date of Patent:** **** Feb. 18, 2014**

(54) **CONNECTOR**

(71) Applicants: **Rolf Sticker**, Donaueschingen (DE);
Hartmut Mueller, Braeunlingen (DE)

(72) Inventors: **Rolf Sticker**, Donaueschingen (DE);
Hartmut Mueller, Braeunlingen (DE)

(73) Assignee: **MCQ Tech GmbH**, Blumberg (DE)

(**) Term: **14 Years**

(21) Appl. No.: **29/432,734**

(22) Filed: **Sep. 19, 2012**

(30) **Foreign Application Priority Data**

Apr. 7, 2012 (DE) 40 2012 001 647

(51) **LOC (10) Cl.** **13-03**

(52) **U.S. Cl.**
USPC **D13/133**

(58) **Field of Classification Search**
USPC D13/133, 146, 147, 154; 439/344, 345,
439/417, 638, 676, 686, 695, 701, 712, 724,
439/752

See application file for complete search history.

(56) **References Cited**

U.S. PATENT DOCUMENTS

D394,426 S * 5/1998 Akins D13/133
D397,323 S * 8/1998 Tulley et al. D13/147

D400,859 S * 11/1998 Tulley et al. D13/147
D562,239 S * 2/2008 Dold et al. D13/133
D605,130 S * 12/2009 Lin et al. D13/147
8,057,249 B1 * 11/2011 Tobey et al. 439/345
D652,799 S 1/2012 Mueller
D658,126 S 4/2012 Mueller
D658,127 S 4/2012 Mueller
D658,584 S 5/2012 Mueller
2007/0270043 A1 * 11/2007 Pepe et al. 439/676
2008/0166925 A1 * 7/2008 Caveney et al. 439/676

* cited by examiner

Primary Examiner — Thomas Johannes

(74) *Attorney, Agent, or Firm* — Andrew F. Young, Esq.;
Lackebach Siegel, LLP

(57) **CLAIM**

The ornamental design for a connector, as shown described.

DESCRIPTION

FIG. 1 is a front perspective view of a connector showing our new design;

FIG. 2 is a right side elevation view thereof;

FIG. 3 is a left side elevation view thereof;

FIG. 4 is a top plan view thereof;

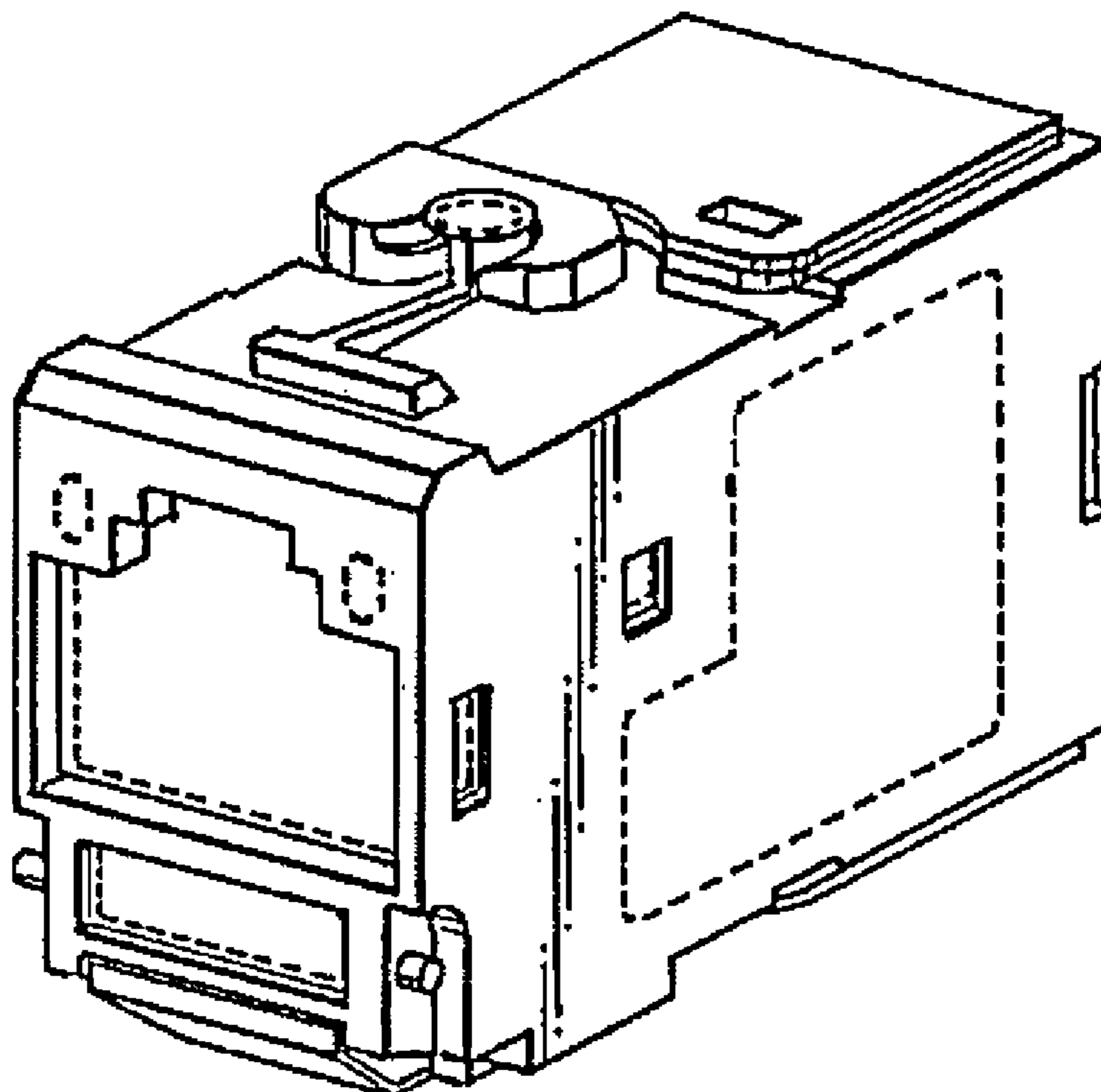
FIG. 5 is a bottom plan view thereof;

FIG. 6 is a front elevation view thereof; and,

FIG. 7 is a rear elevation view thereof.

The broken line portion of the figure drawings is included to show unclaimed subject matter only and forms no part of the claimed design.

1 Claim, 2 Drawing Sheets



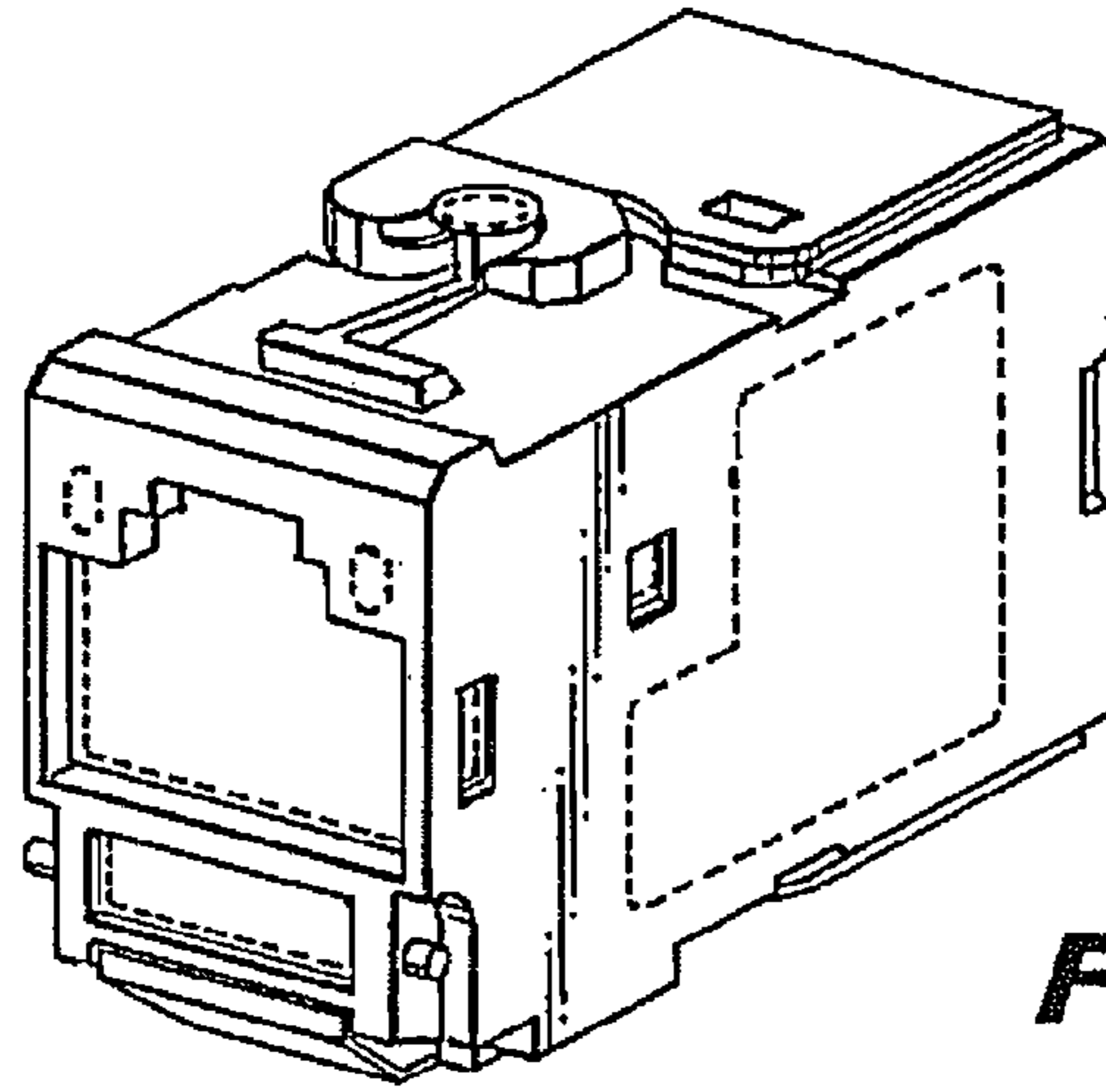


Fig. 1

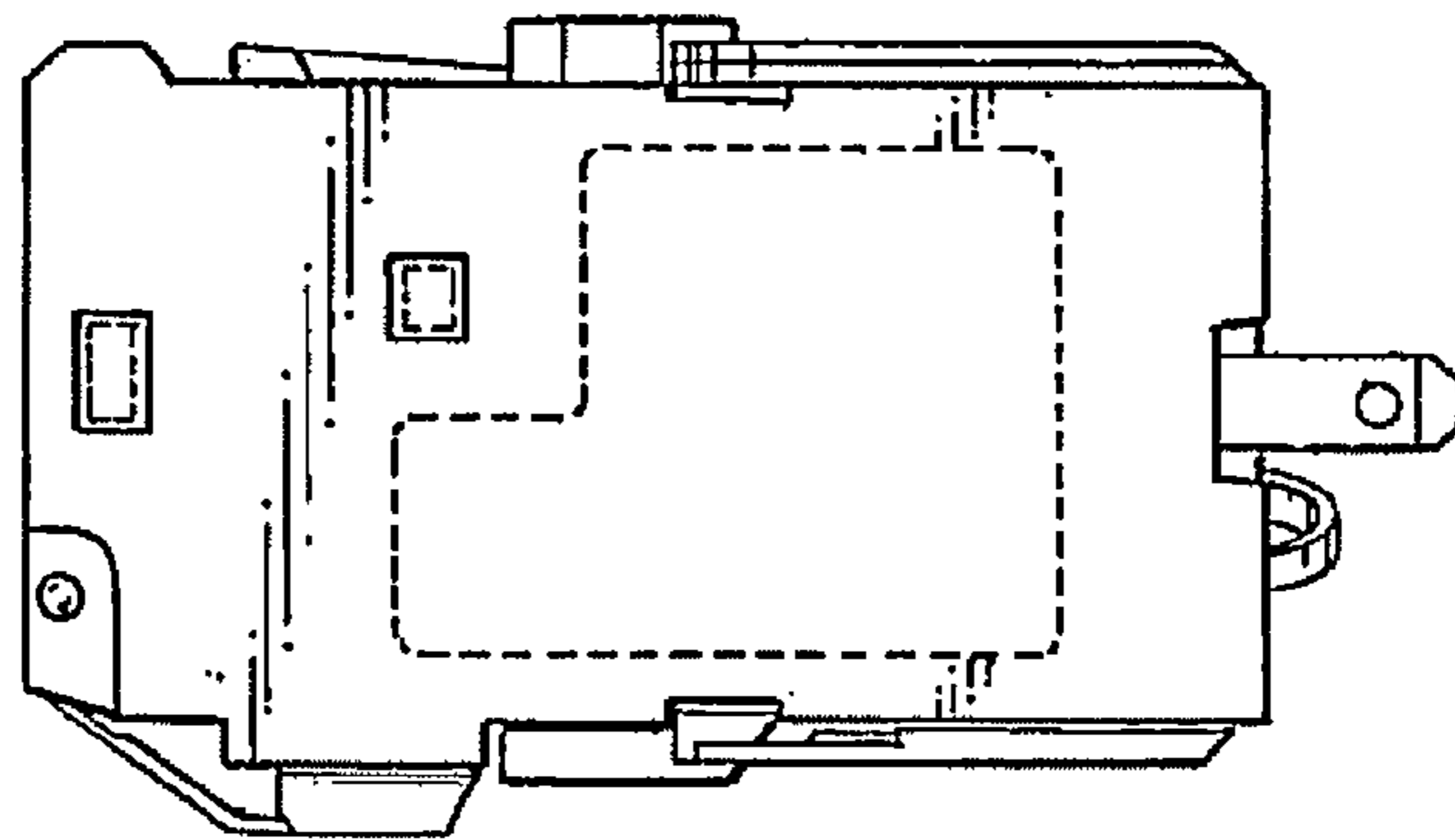


Fig. 2

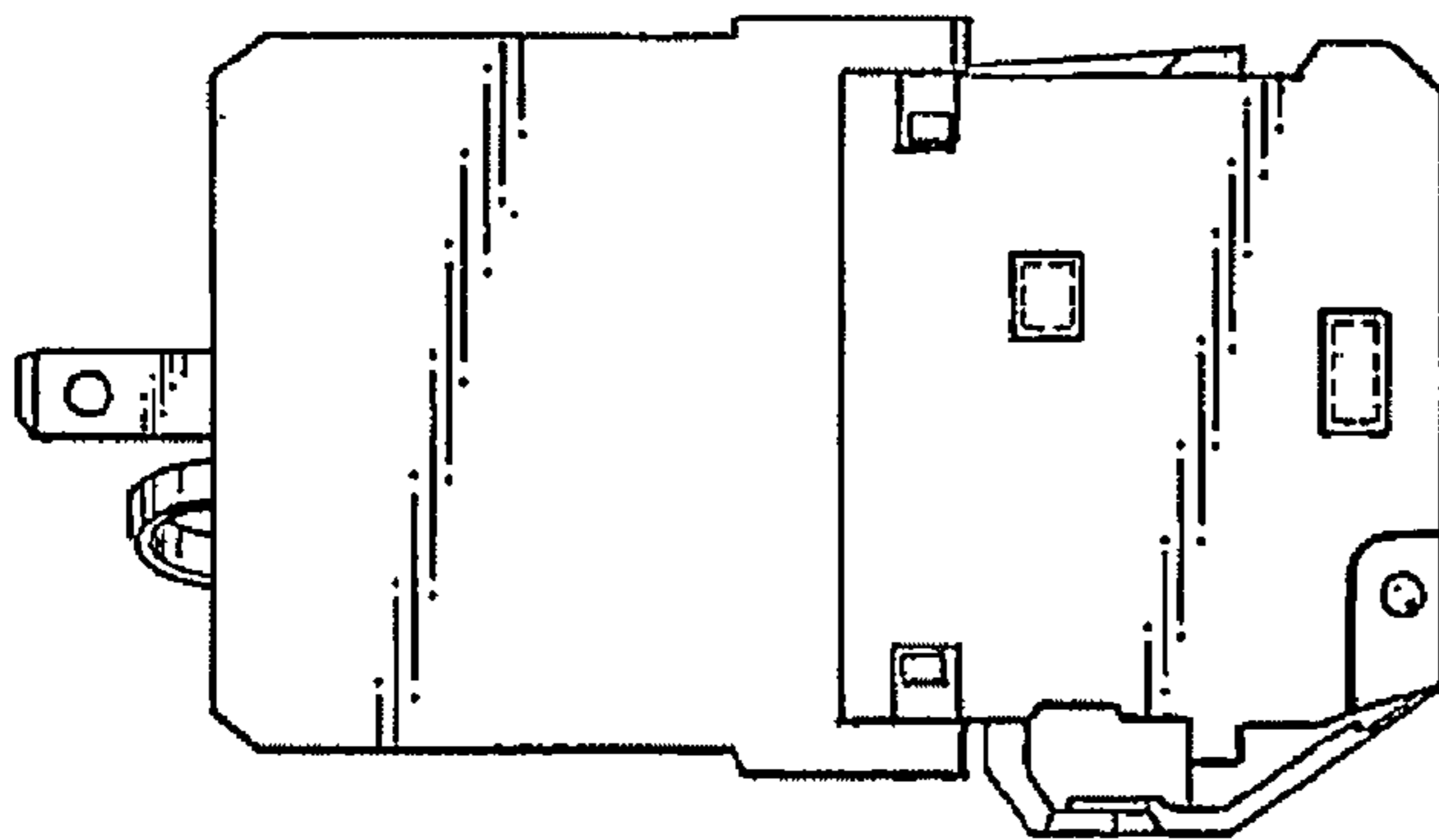


Fig. 3

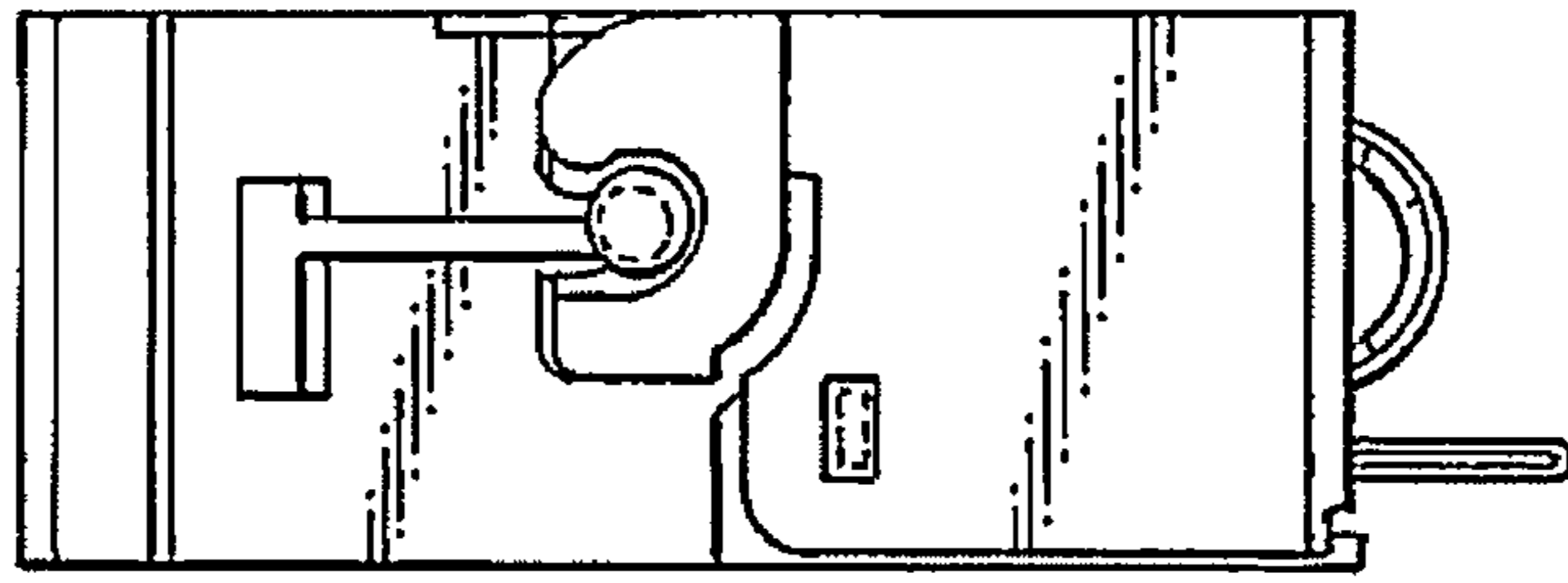


Fig. 4

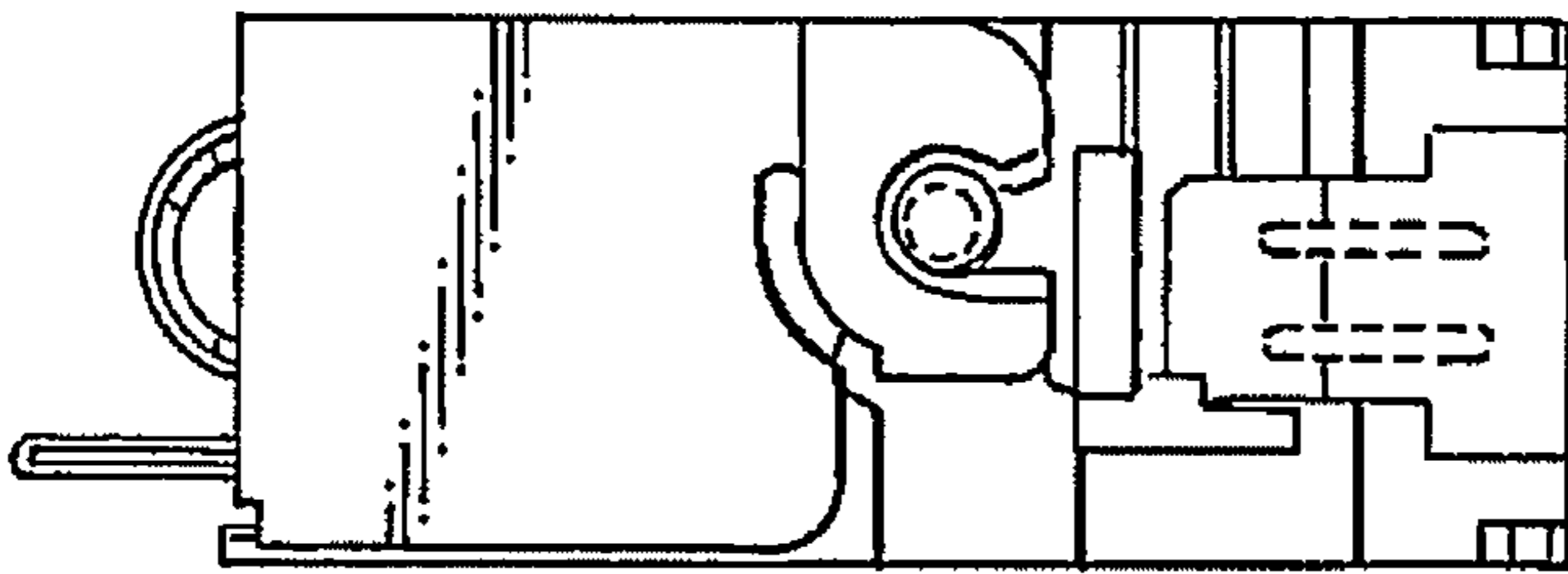


Fig. 5

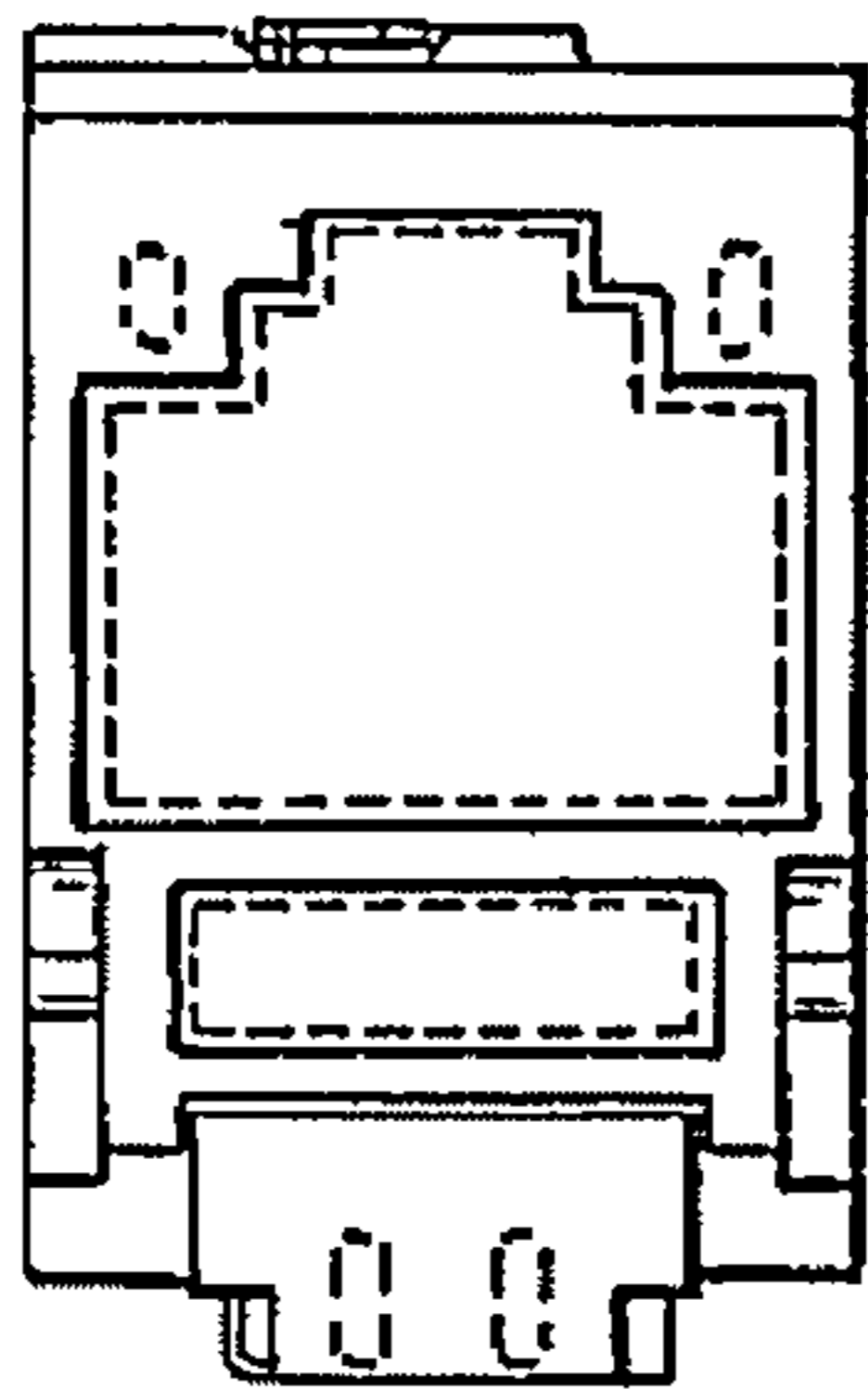


Fig. 6

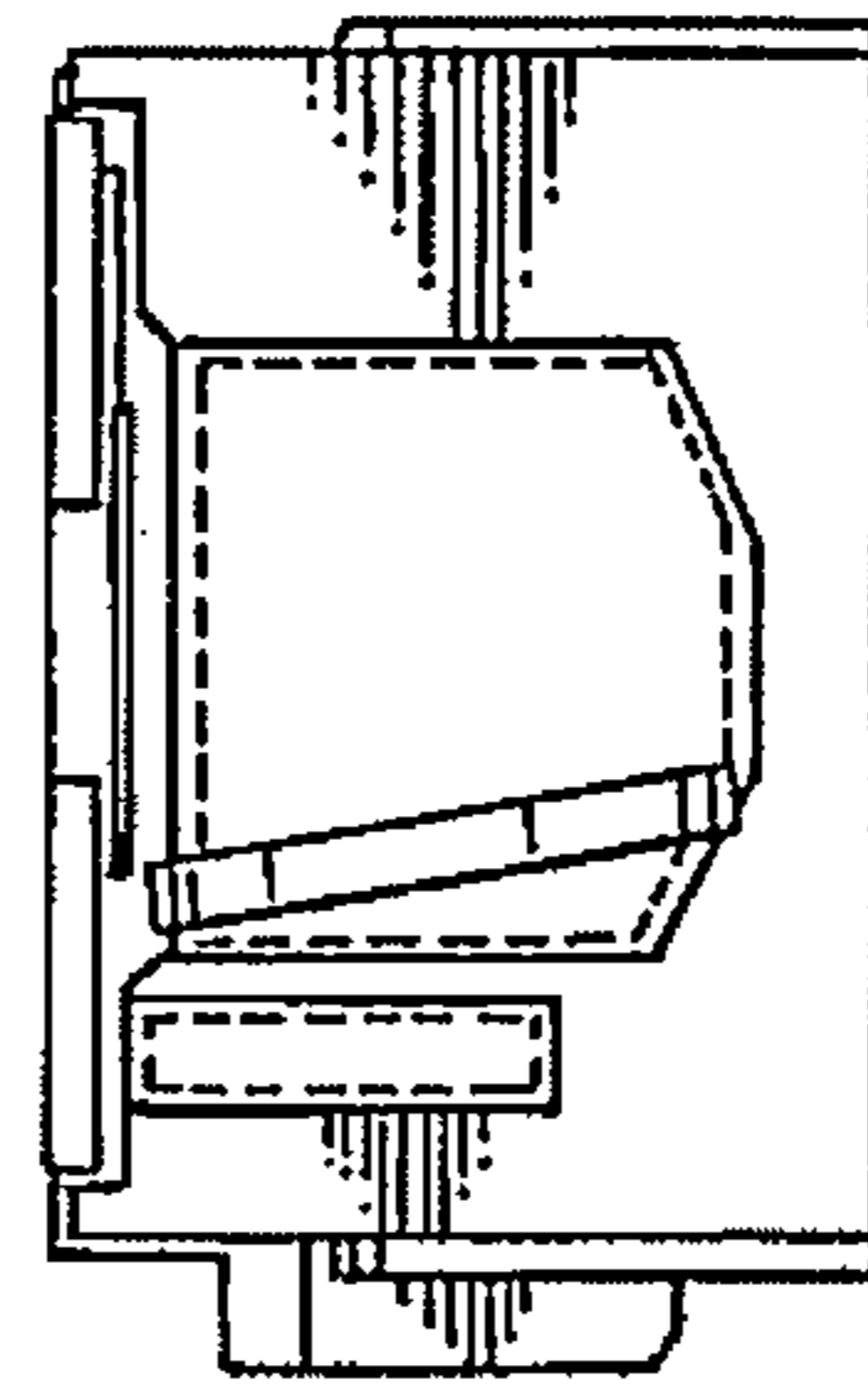


Fig. 7