



US00D699677S

(12) **United States Design Patent**
Guimerà Manrique et al.

(10) **Patent No.:** **US D699,677 S**

(45) **Date of Patent:** **** Feb. 18, 2014**

(54) **WIND POWER MACHINE**

(56) **References Cited**

(75) Inventors: **Oriol Guimerà Manrique**, Barcelona (ES); **Joan Cinca Travesset**, Barcelona (ES)

(73) Assignee: **Alstom Wind, S.L.U.**, Barcelona (ES)

(**) Term: **14 Years**

(21) Appl. No.: **29/401,212**

(22) Filed: **Sep. 8, 2011**

(30) **Foreign Application Priority Data**

Mar. 9, 2011 (EM) 001832833

(51) **LOC (10) Cl.** **13-01**

(52) **U.S. Cl.**
USPC **D13/115**

(58) **Field of Classification Search**
USPC D13/115, 101, 199; D15/1, 199;
290/43, 44; 415/4.1, 4.3, 4.5, 56.3,
415/122.1; 416/9, 12, 23, 24, 32, 37, 38,
416/44, 115, 117, 132 B, 132 R, 142, 169,
416/196 A, 197 A, 223 R, 243

See application file for complete search history.

U.S. PATENT DOCUMENTS

3,269,121	A *	8/1966	Bening	60/398
D252,572	S *	8/1979	Hanson	D15/1
D271,303	S *	11/1983	Ovelmen	D15/1
4,498,017	A *	2/1985	Parkins	290/44
5,354,175	A *	10/1994	Coleman et al.	416/9
D511,323	S *	11/2005	Kato et al.	D13/115
D517,986	S *	3/2006	Wobben	D13/115
D584,686	S *	1/2009	Gudewer	D13/115
7,708,530	B2 *	5/2010	Wobben	416/243

* cited by examiner

Primary Examiner — Derrick Holland

(74) *Attorney, Agent, or Firm* — Squire Sanders (US) LLP

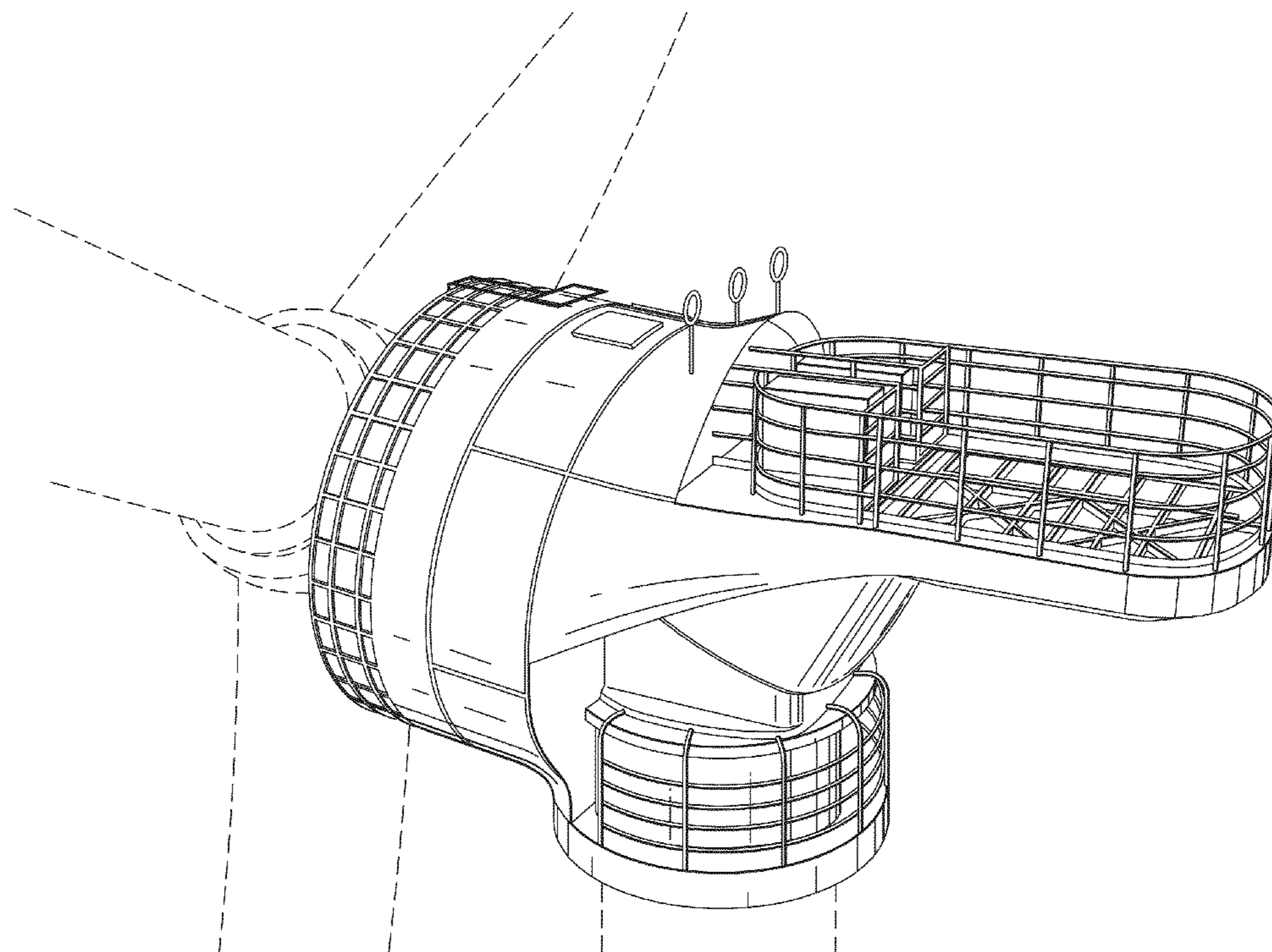
(57) **CLAIM**

The ornamental design for a wind power machine, as shown and described.

DESCRIPTION

FIG. 1 is a top, left, and rear perspective view of a wind power machine showing our new design;
FIG. 2 is a left side elevation view thereof;
FIG. 3 is a front elevation view thereof;
FIG. 4 is a rear elevation view thereof;
FIG. 5 is a right side elevation view thereof;
FIG. 6 is a top plan view thereof; and,
FIG. 7 is a bottom plan view thereof.
The broken lines shown represent unclaimed subject matter and form no part of the claimed design.

1 Claim, 7 Drawing Sheets



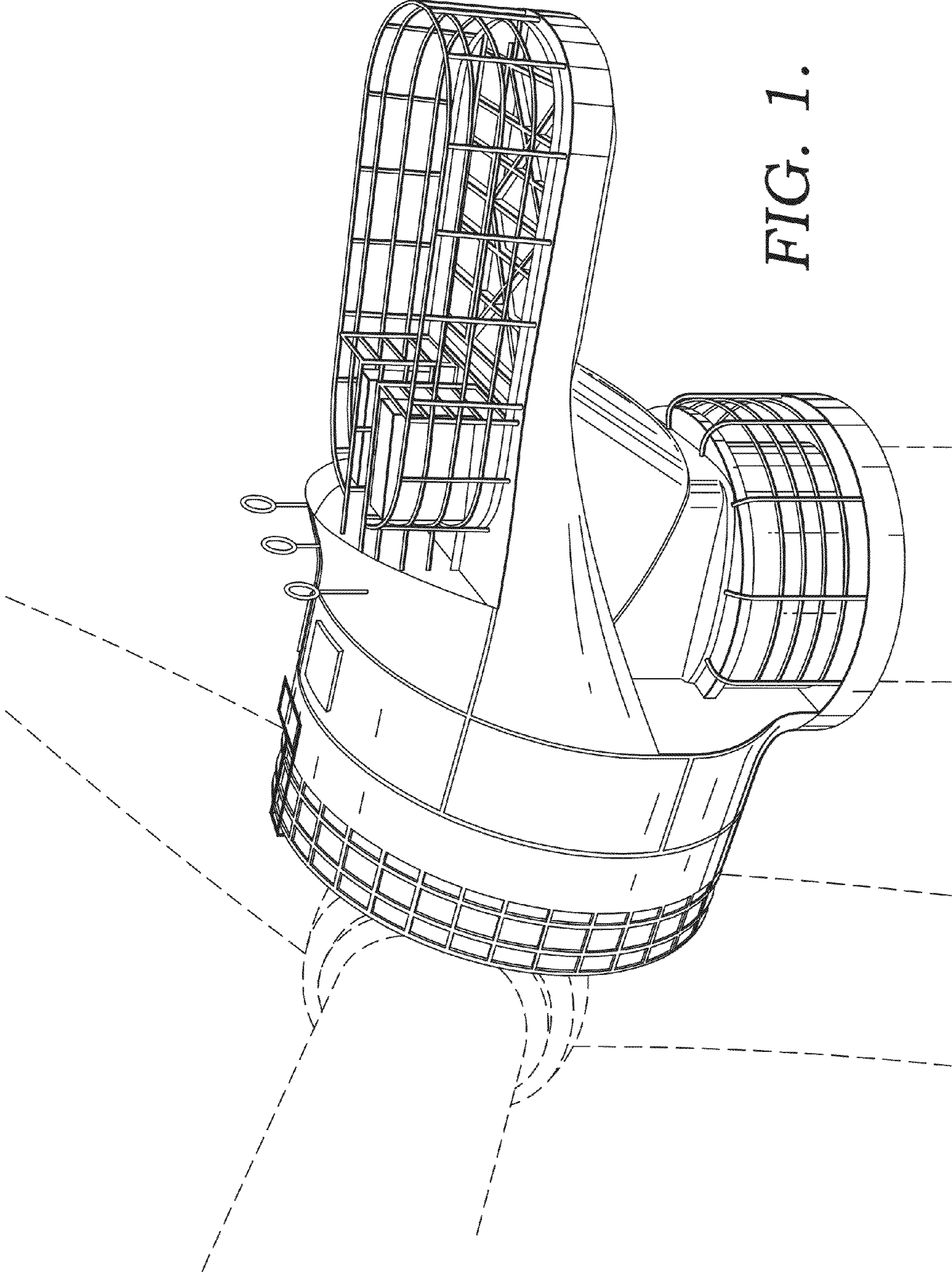
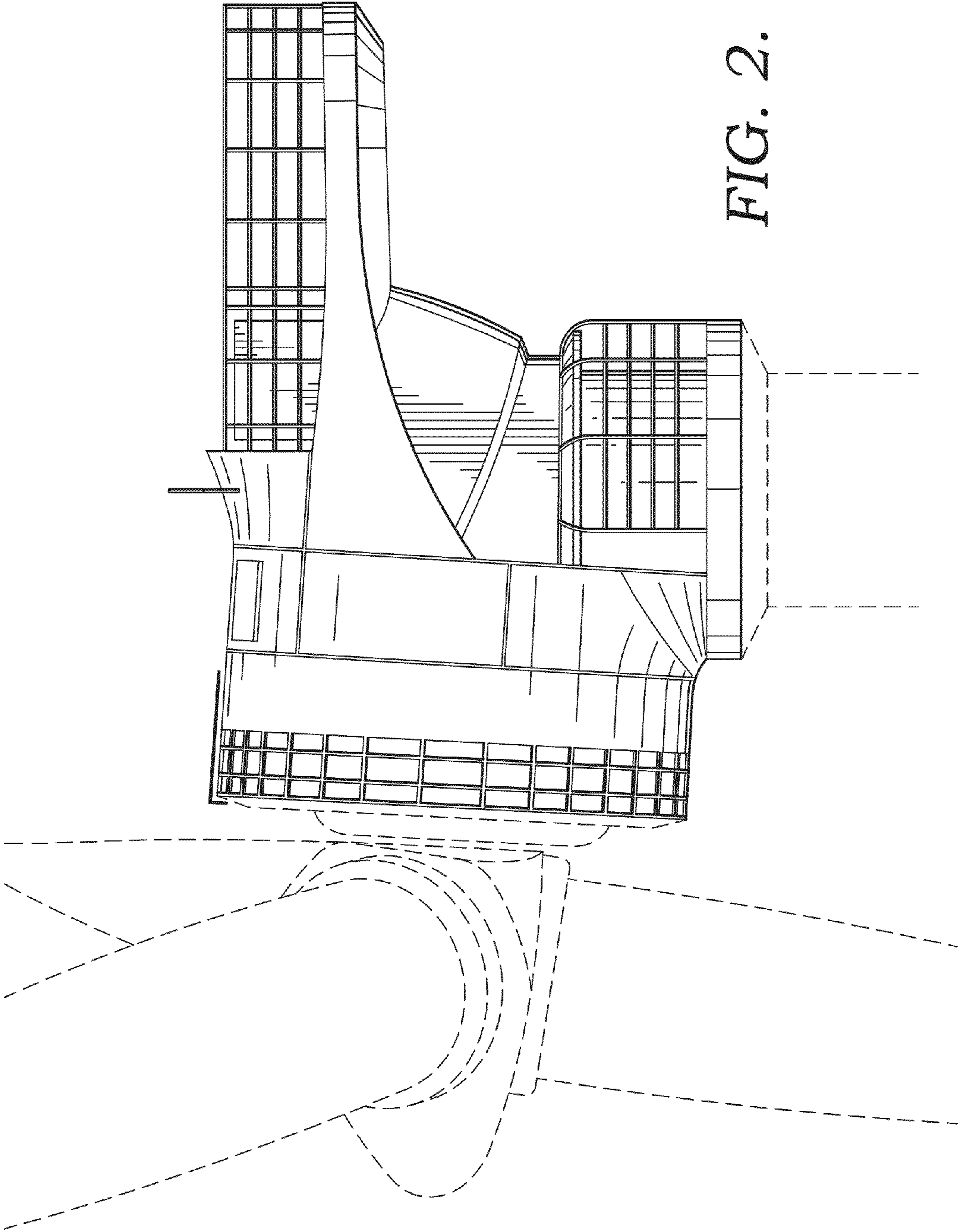


FIG. 1.



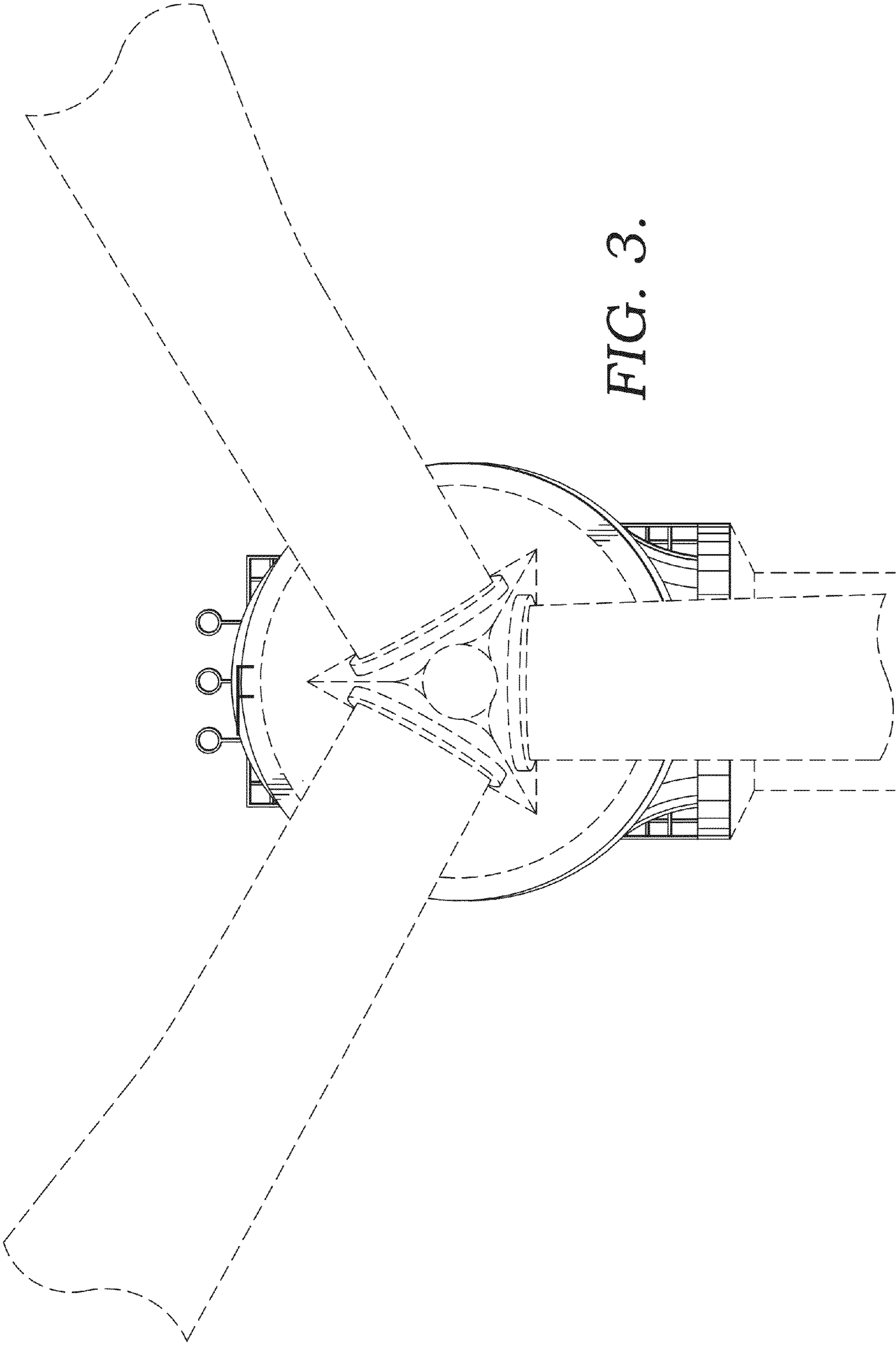


FIG. 3.

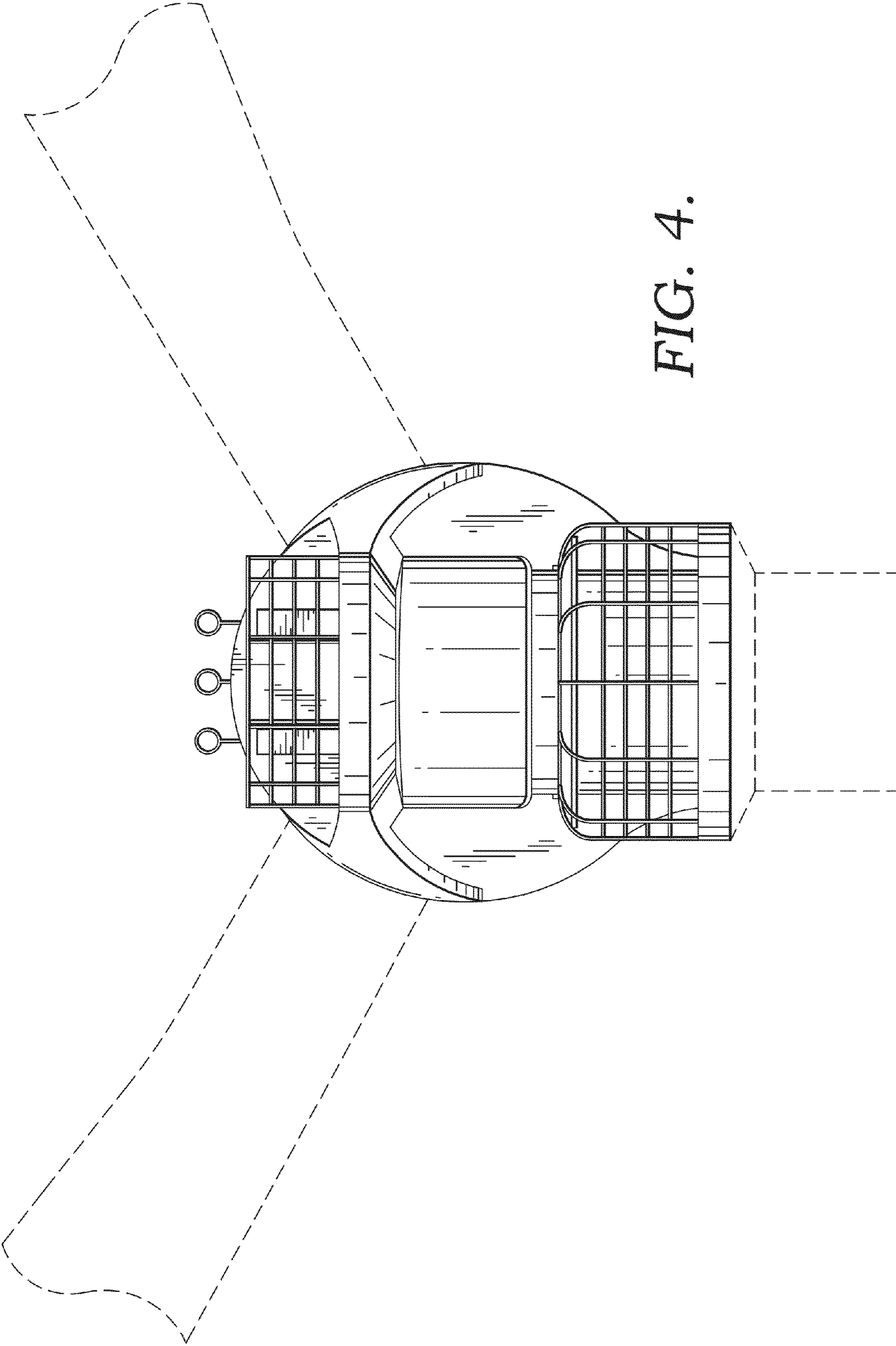
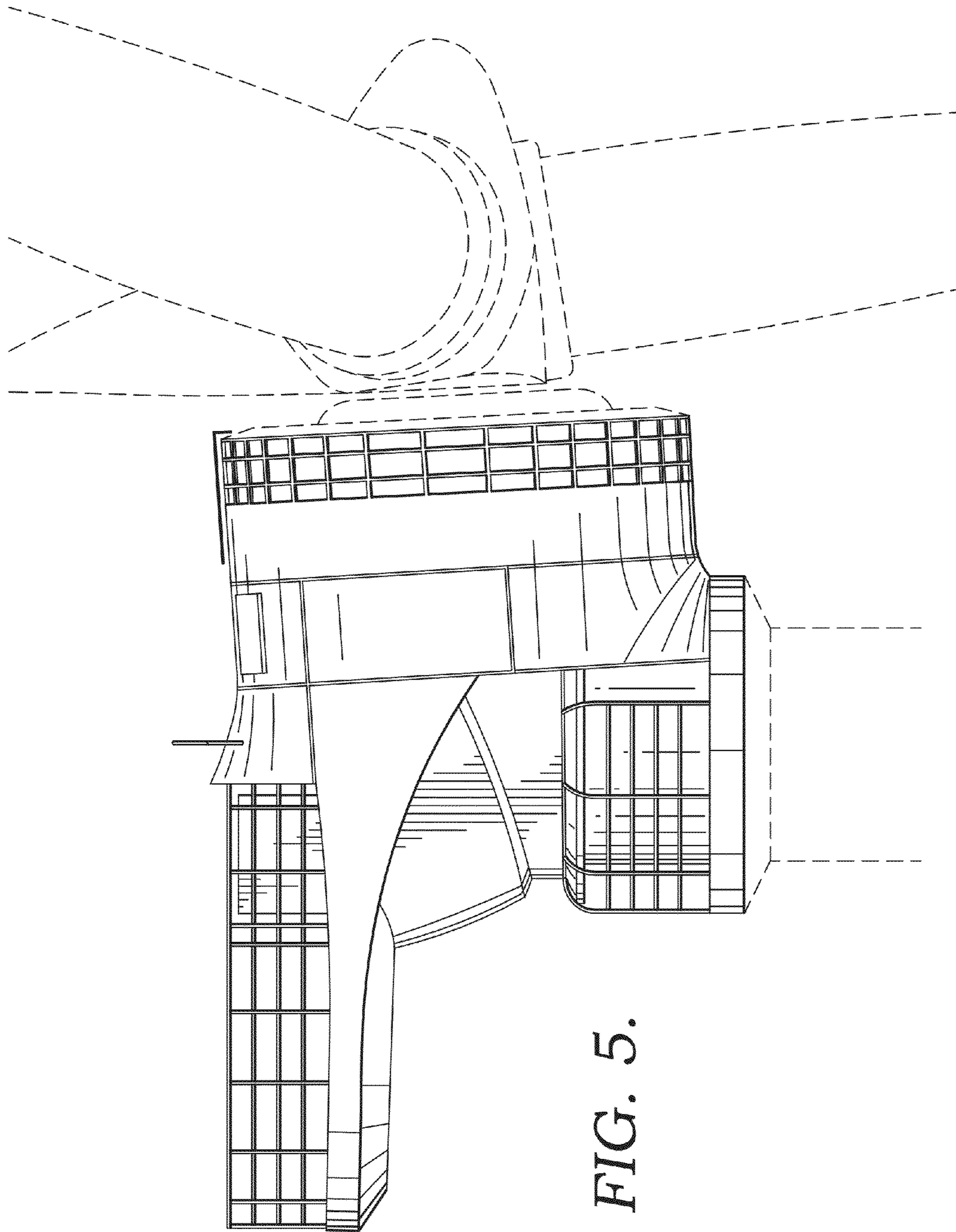


FIG. 4.



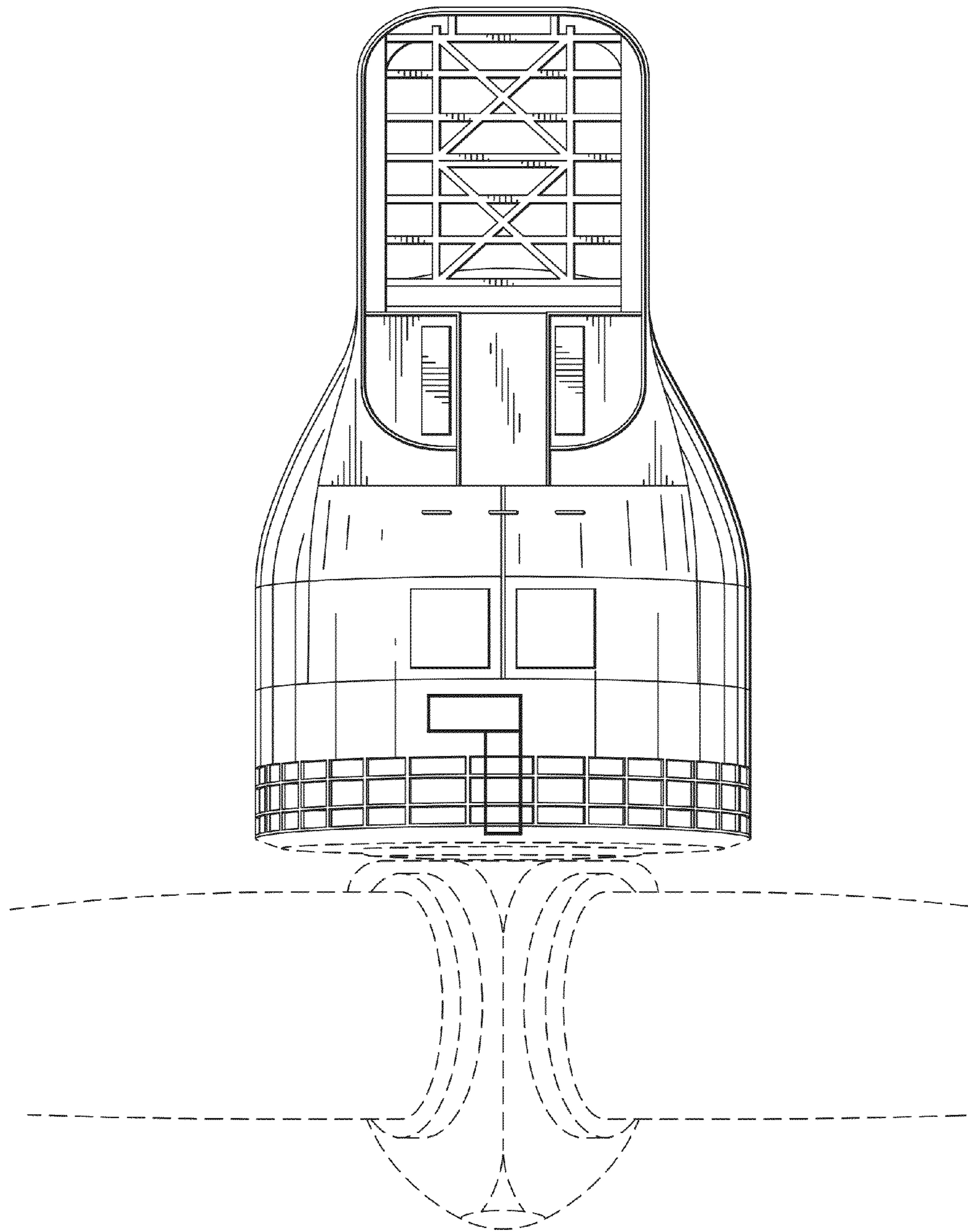


FIG. 6.

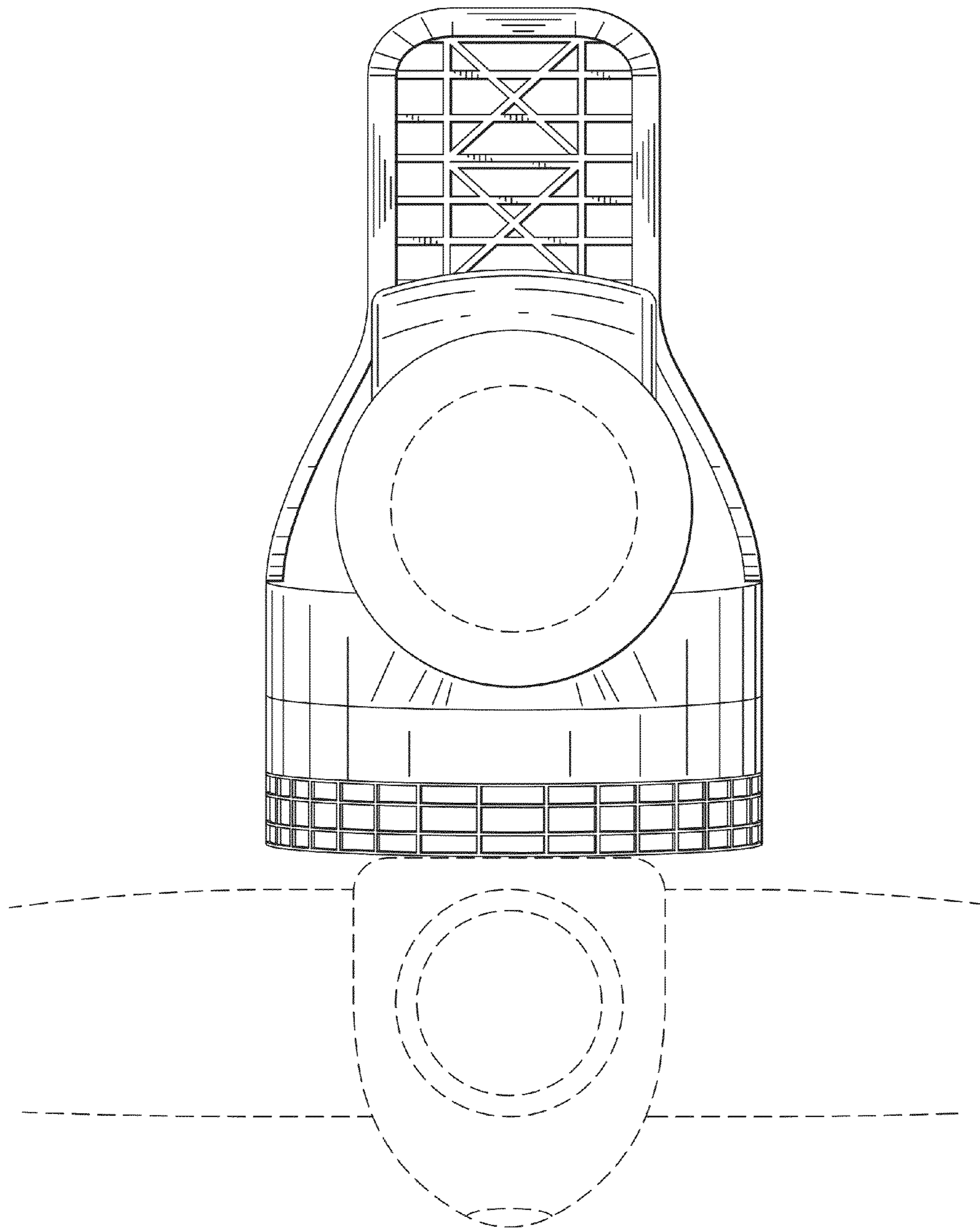


FIG. 7.