



US00D699675S

(12) **United States Design Patent**  
**Jacobs et al.**

(10) **Patent No.:** **US D699,675 S**

(45) **Date of Patent:** **\*\* Feb. 18, 2014**

(54) **AMPLIFIER MODULE**

(71) Applicant: **Zenovia Electronics Inc.**, St. Albert (CA)

(72) Inventors: **Logan Daniel Jacobs**, St. Albert (CA);  
**Darrick John Wilson**, Edmonton (CA)

(73) Assignee: **Zenovia Electronics Inc.**, St. Albert (CA)

(\*\*) Term: **14 Years**

(21) Appl. No.: **29/441,061**

(22) Filed: **Dec. 31, 2012**

**Related U.S. Application Data**

(63) Continuation of application No. 13/594,485, filed on Aug. 24, 2012.

(51) **LOC (10) Cl.** ..... **13-02**

(52) **U.S. Cl.**  
USPC ..... **D13/110**

(58) **Field of Classification Search**

USPC ..... D13/110, 108, 123, 133, 137.1, 199;  
D14/140.1, 240, 242, 353, 433;  
174/53, 54, 57, 59, 61; 307/150, 151;  
320/111, 114; 363/132, 146; 439/105,  
439/131, 166, 170-173, 218, 518, 692,  
439/956; 370/315, 317, 319, 338

See application file for complete search history.

(56) **References Cited**

U.S. PATENT DOCUMENTS

D337,304 S *	7/1993	Lubbe et al. ....	D13/110
D357,671 S *	4/1995	Terasawa et al. ....	D13/182
D363,056 S *	10/1995	Vinciarelli et al. ....	D13/110
D476,977 S *	7/2003	Gao et al. ....	D14/240
D494,131 S *	8/2004	Aoki et al. ....	D13/110
D497,350 S *	10/2004	Ichitsubo et al. ....	D13/184
D630,580 S *	1/2011	Pape et al. ....	D13/110
D661,249 S *	6/2012	Smith et al. ....	D13/110

\* cited by examiner

*Primary Examiner* — Derrick Holland

(74) *Attorney, Agent, or Firm* — Miller Thomson LLP

(57) **CLAIM**

The ornamental design for an amplifier module, as shown and described.

**DESCRIPTION**

FIG. 1 illustrates a front perspective view of an amplifier module.

FIG. 2 illustrates a rear perspective view thereof.

FIG. 3 illustrates a front view thereof.

FIG. 4 illustrates a rear view thereof.

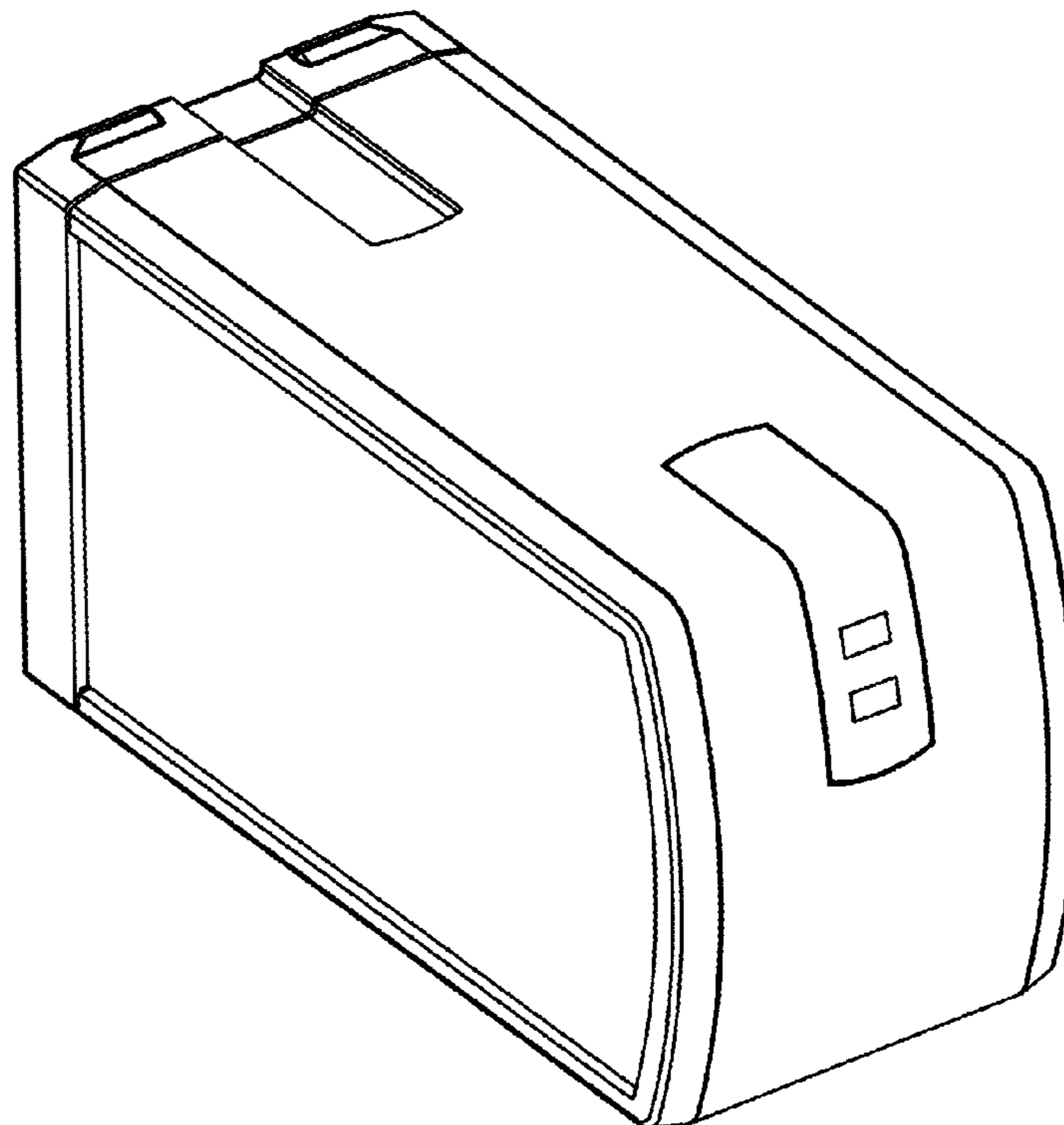
FIG. 5 illustrates a top view thereof.

FIG. 6 illustrates a bottom view thereof.

FIG. 7 illustrates a right side view thereof; and,

FIG. 8 illustrates a left side view thereof.

**1 Claim, 5 Drawing Sheets**



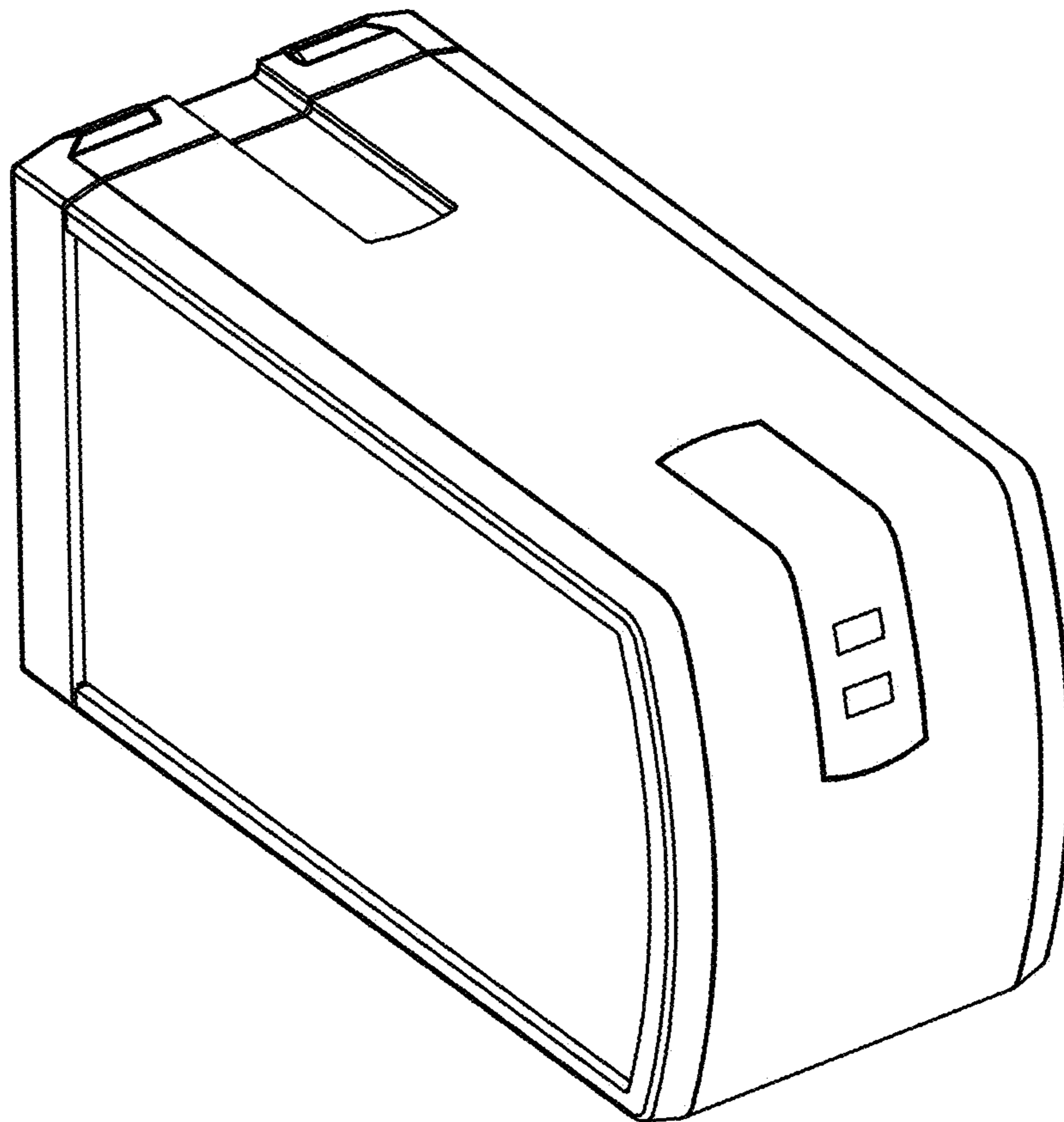


FIG. 1

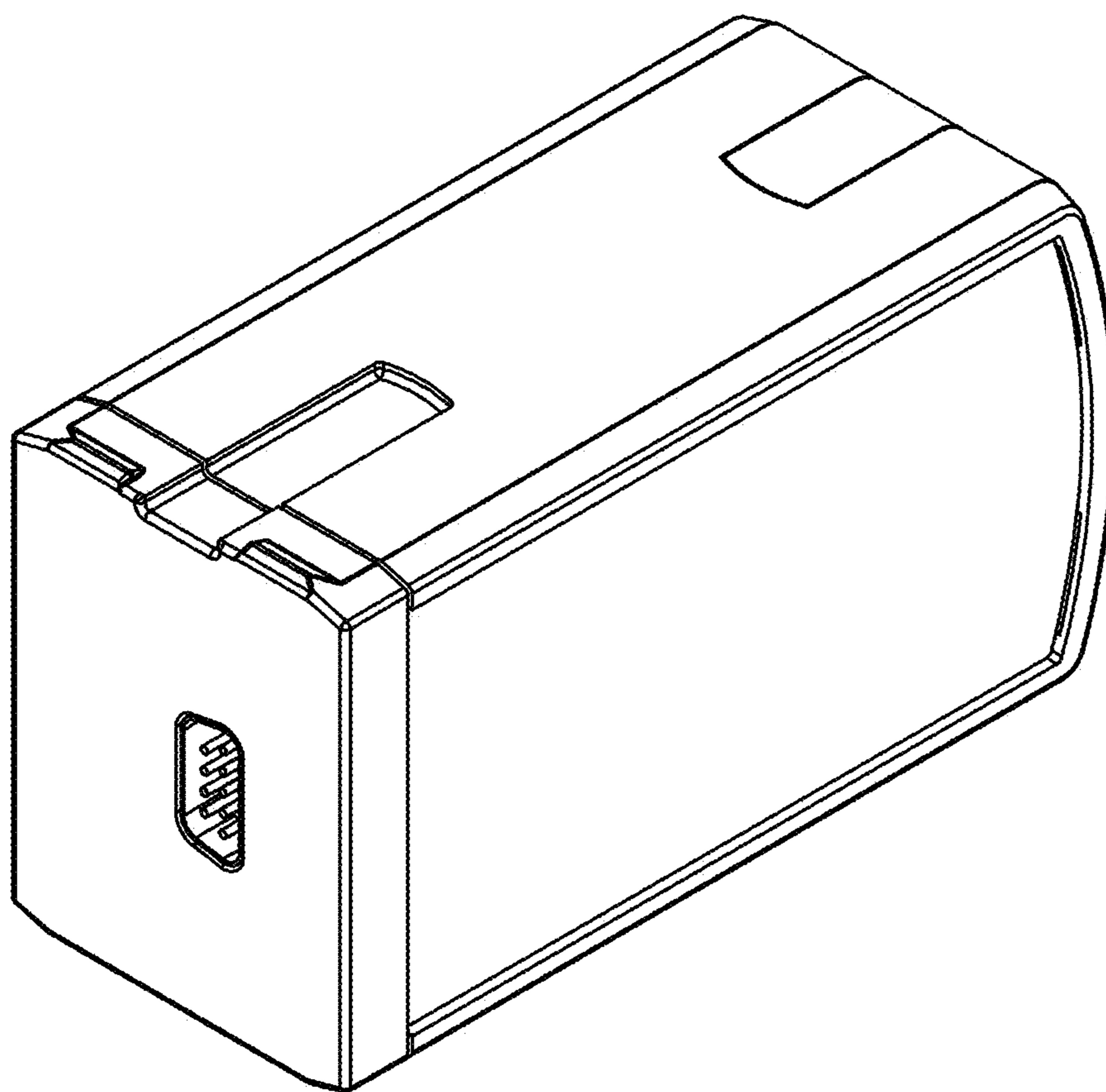


FIG. 2

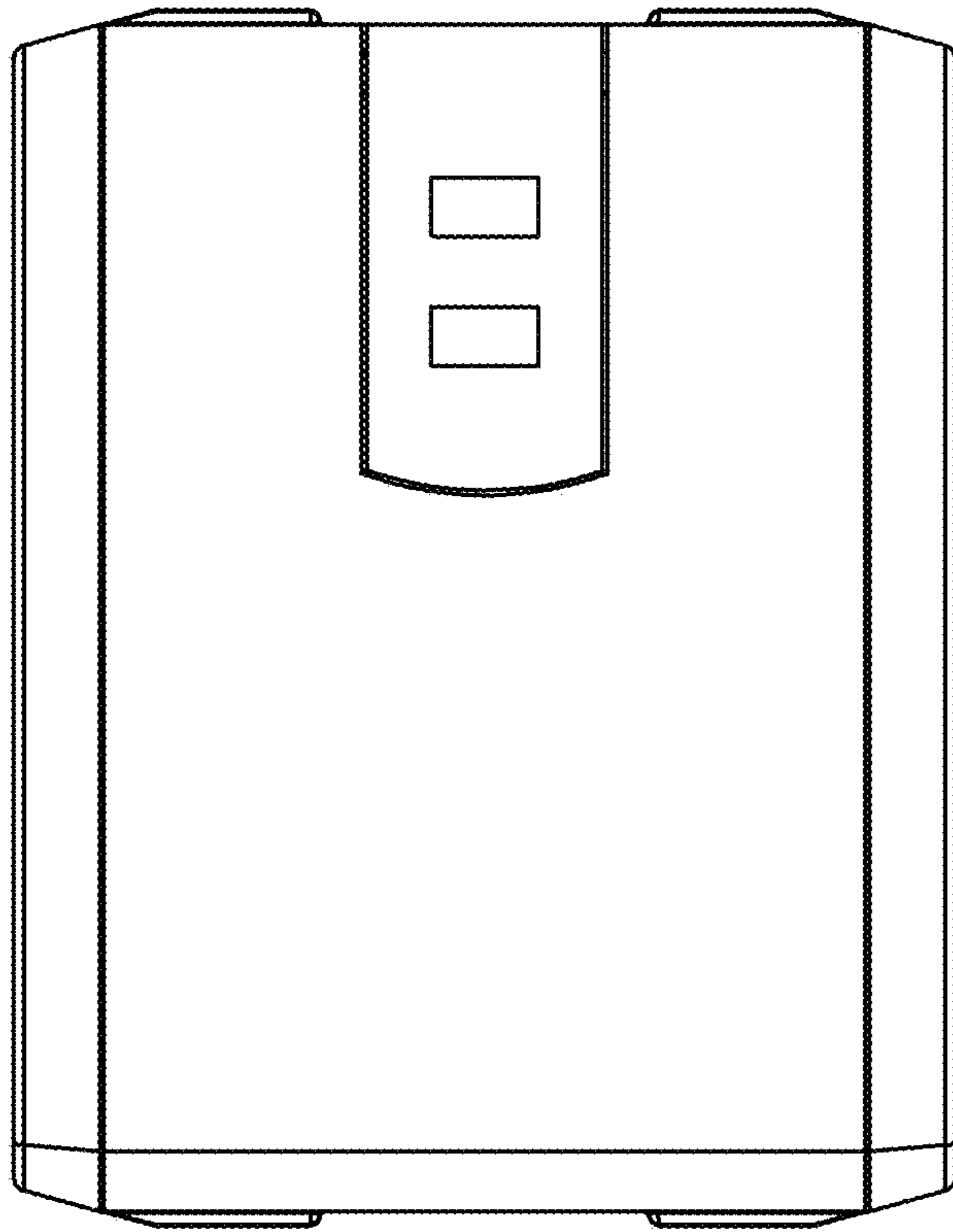


FIG. 3

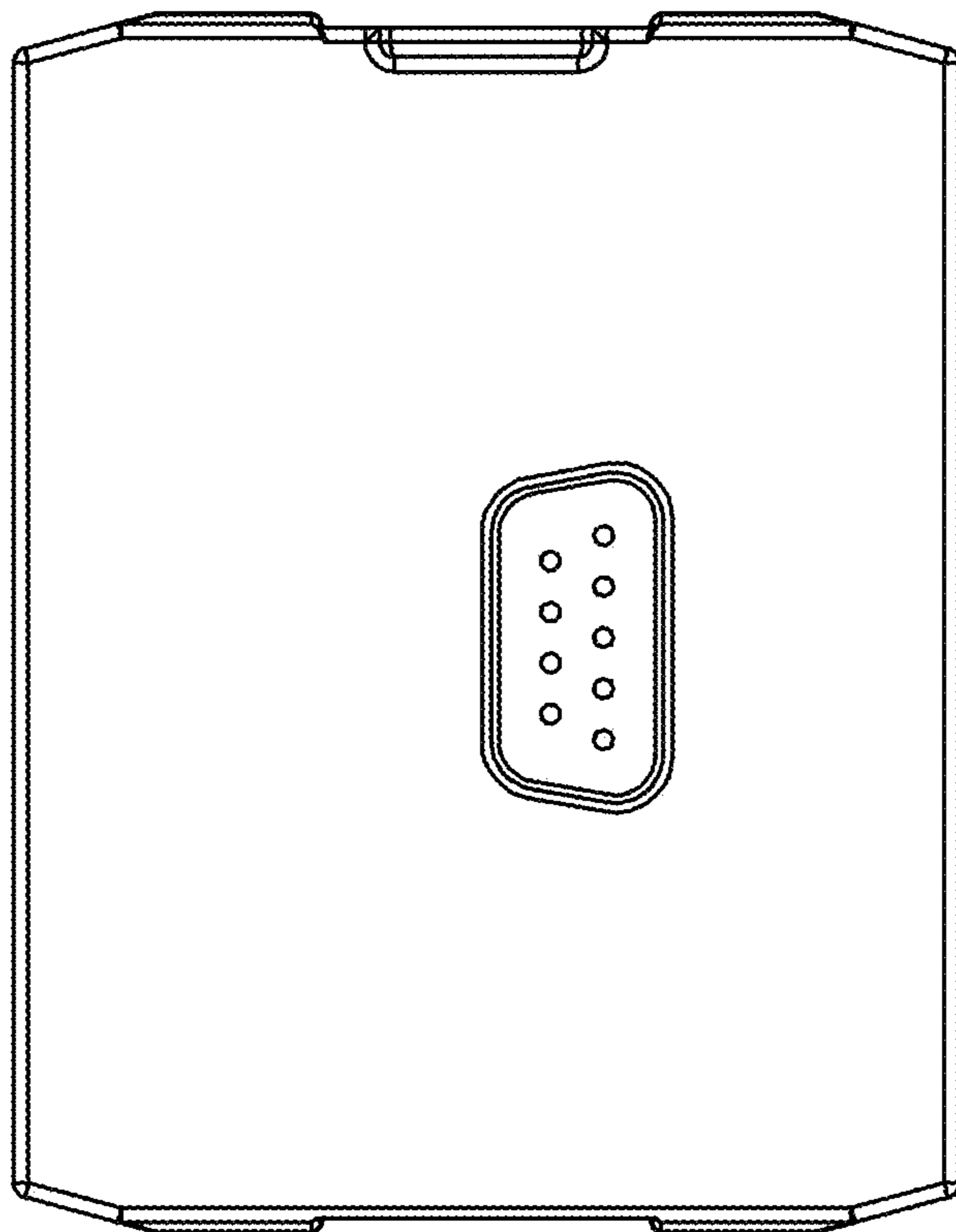


FIG. 4

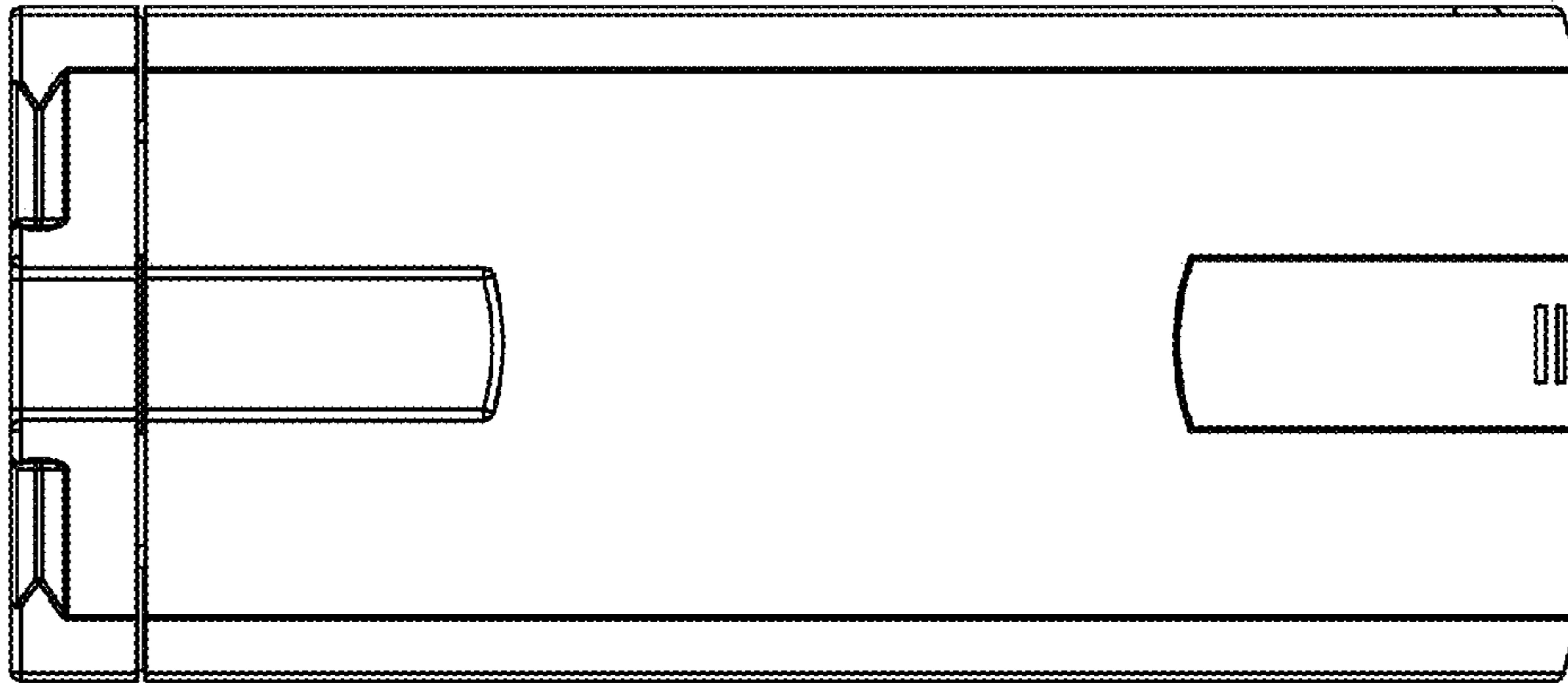


FIG. 5

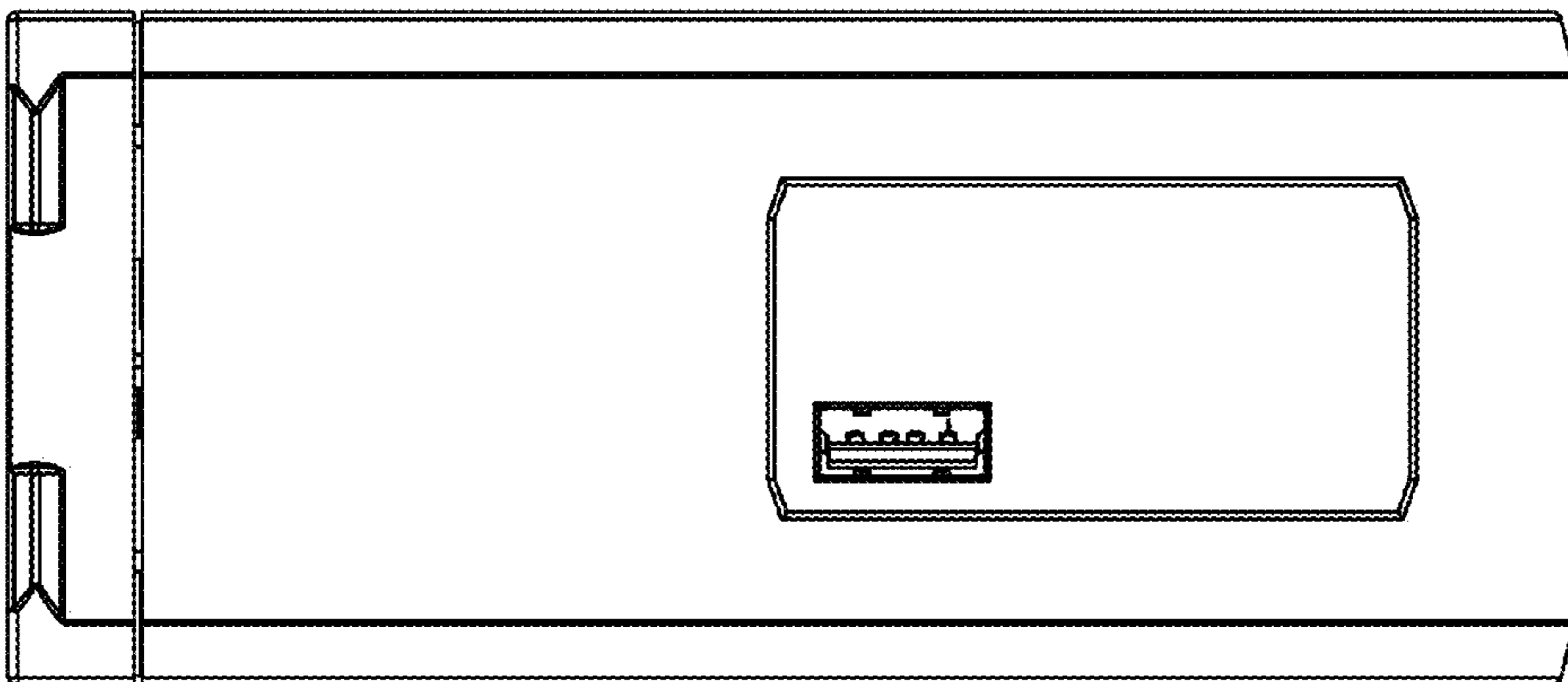


FIG. 6

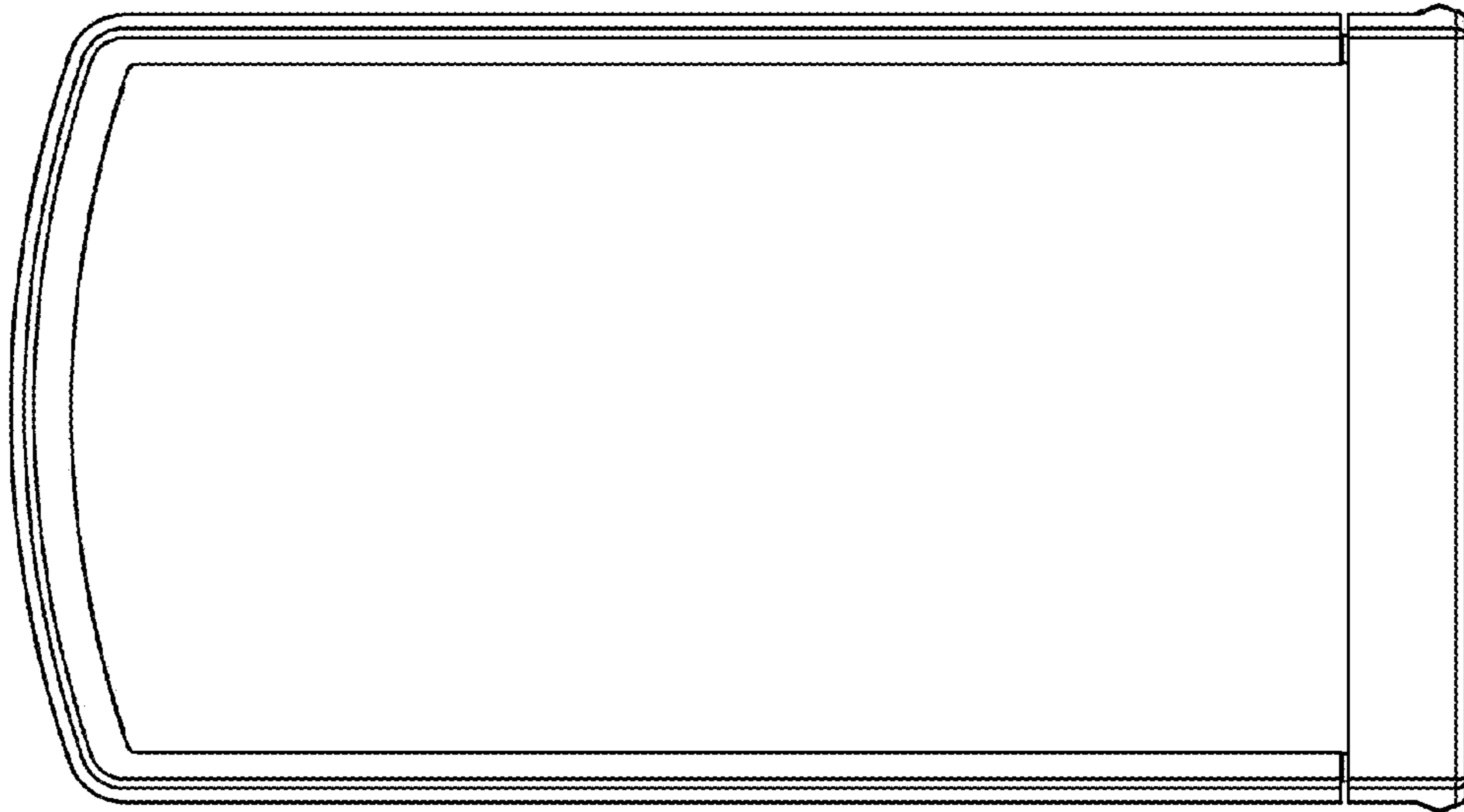


FIG. 7

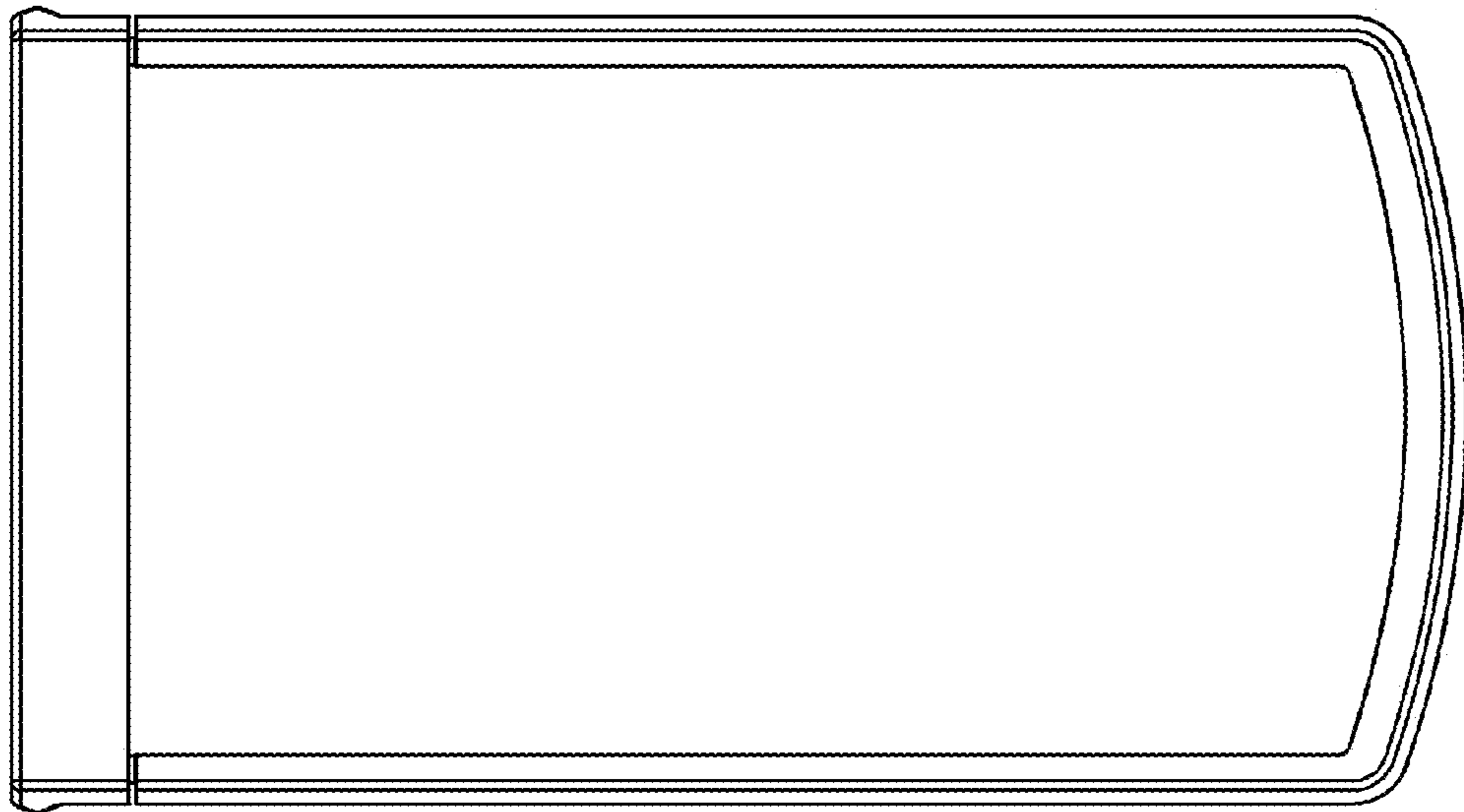


FIG. 8