



US00D699674S

(12) **United States Design Patent**  
**Man**

(10) **Patent No.:** **US D699,674 S**

(45) **Date of Patent:** **\*\* Feb. 18, 2014**

(54) **USB POWER SUPPLY**

(71) Applicant: **Shun Shing Standard Corporation Development Limited**, Kwai Chung (HK)

(72) Inventor: **Lam Hok Man**, Kwai Chung (HK)

(73) Assignee: **Shun Shing Standard Corporation Development Limited**, Kwai Chung, New Territories (HK)

(\*\*) Term: **14 Years**

(21) Appl. No.: **29/464,763**

(22) Filed: **Aug. 21, 2013**

(51) **LOC (10) Cl.** ..... **13-02**

(52) **U.S. Cl.**  
USPC ..... **D13/108**

(58) **Field of Classification Search**  
USPC ..... D13/107-110, 118-119, 138.1-138.2, D13/184, 199; D14/217, 251, 253, 432, D14/434; 320/107-115  
See application file for complete search history.

(56) **References Cited**

**U.S. PATENT DOCUMENTS**

D607,458 S \* 1/2010 Hui et al. .... D14/434  
D623,136 S \* 9/2010 Andre et al. .... D13/138.1  
D627,728 S \* 11/2010 Smith et al. .... D13/138.1

D627,729 S \* 11/2010 Smith et al. .... D13/138.1  
D642,524 S \* 8/2011 Fitch et al. .... D13/110  
D653,208 S \* 1/2012 Au ..... D13/108  
D653,209 S \* 1/2012 Lee ..... D13/110  
D655,243 S \* 3/2012 Au ..... D13/108  
D655,244 S \* 3/2012 Au ..... D13/108  
D656,895 S \* 4/2012 Fitch ..... D13/108  
D677,221 S \* 3/2013 McSweyn ..... D13/108  
D693,764 S \* 11/2013 Hok Man ..... D13/108

\* cited by examiner

*Primary Examiner* — Rosemary K Tarcza

(74) *Attorney, Agent, or Firm* — Mark M. Friedman

(57) **CLAIM**

I hereby claim the design for the USB power supply, as shown and described.

**DESCRIPTION**

FIG. 1 is a front view of a USB power supply showing my design;

FIG. 2 is a back view thereof;

FIG. 3 is a left view thereof;

FIG. 4 is a right view thereof;

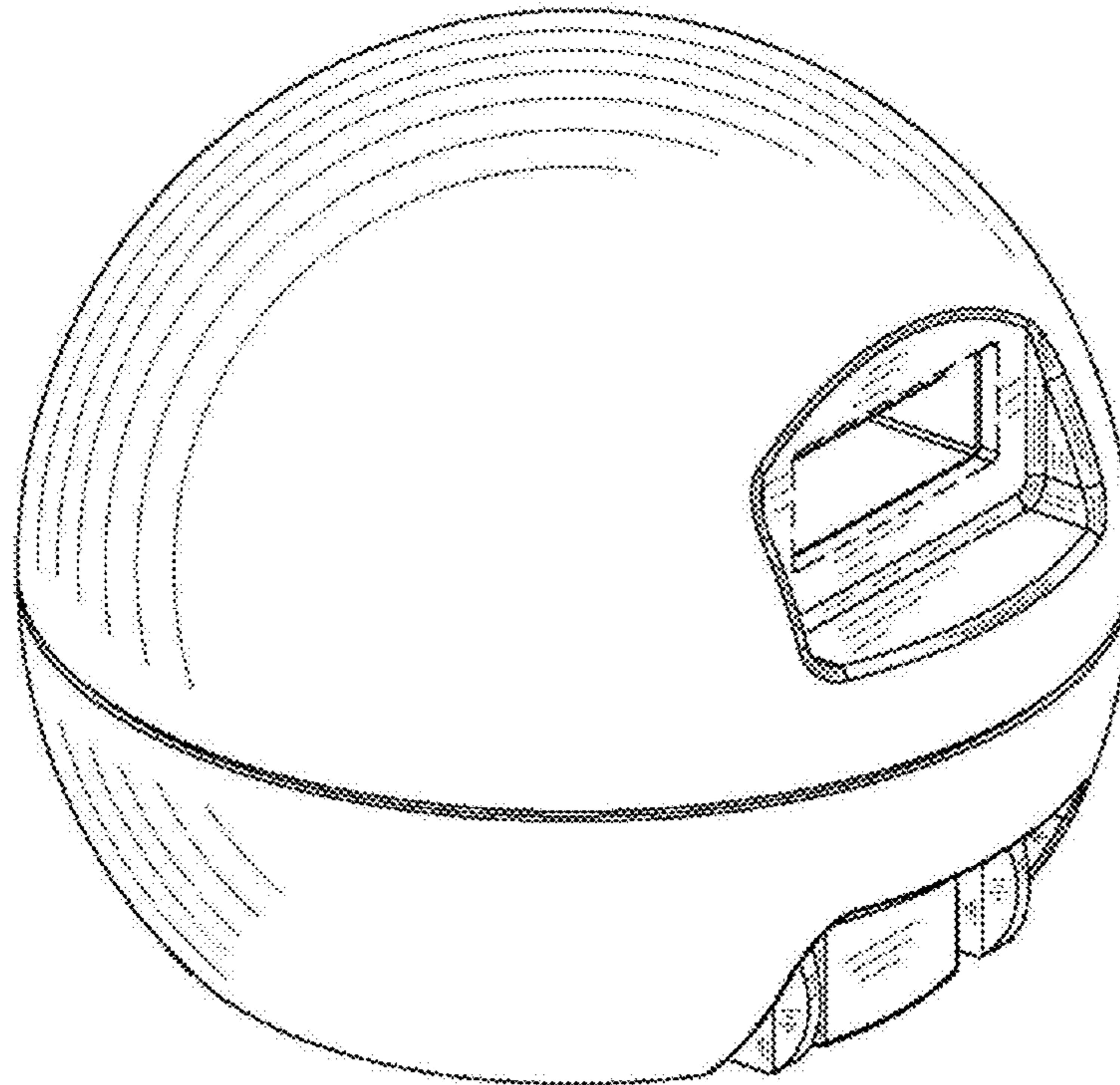
FIG. 5 is a top view thereof;

FIG. 6 is a bottom view thereof; and,

FIG. 7 is a perspective view thereof.

The broken lines shown in the drawings are included for the purpose of illustrating environmental structure and form no part of the claimed design.

**1 Claim, 5 Drawing Sheets**



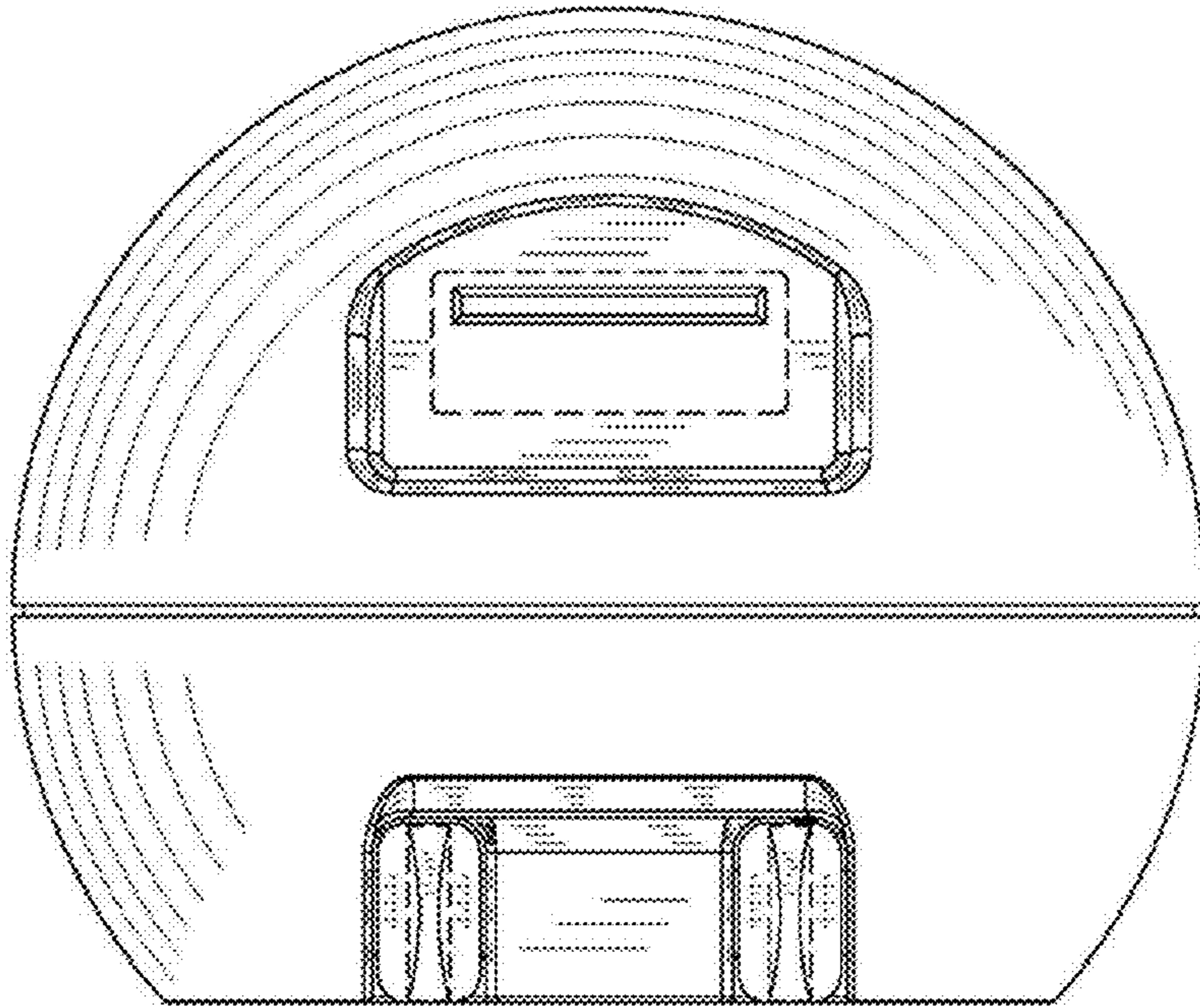


FIG. 1

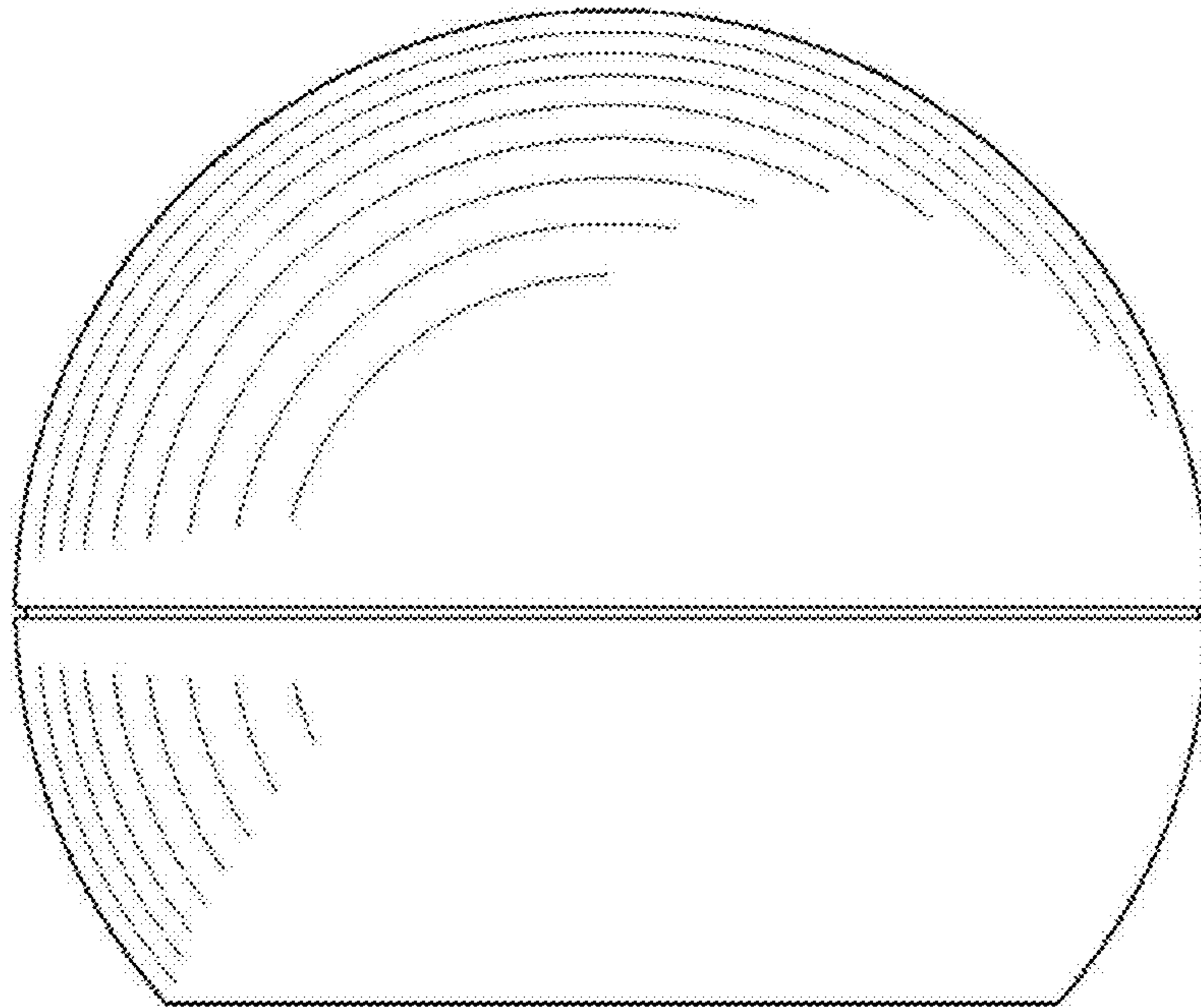


FIG. 2

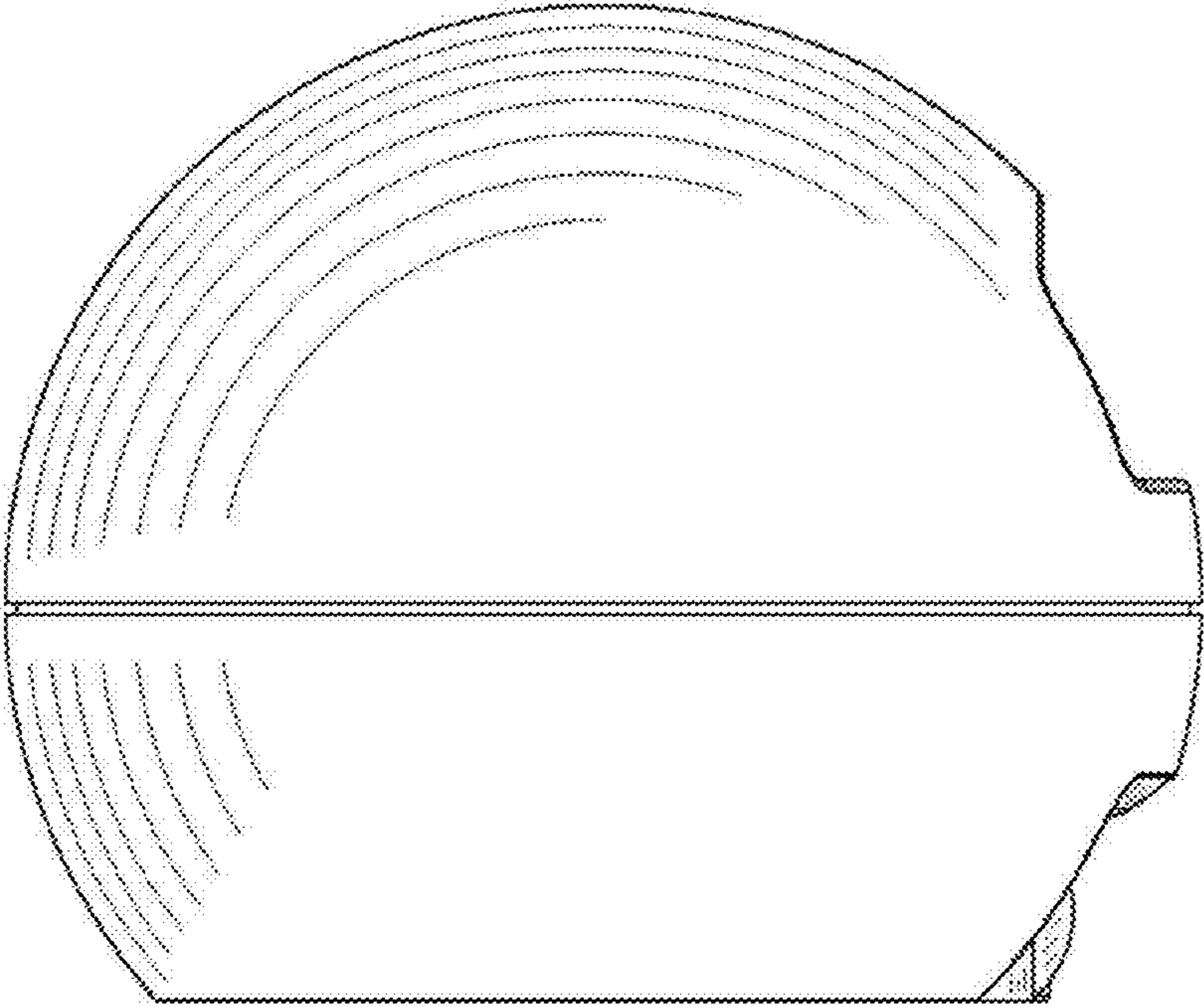


FIG. 3

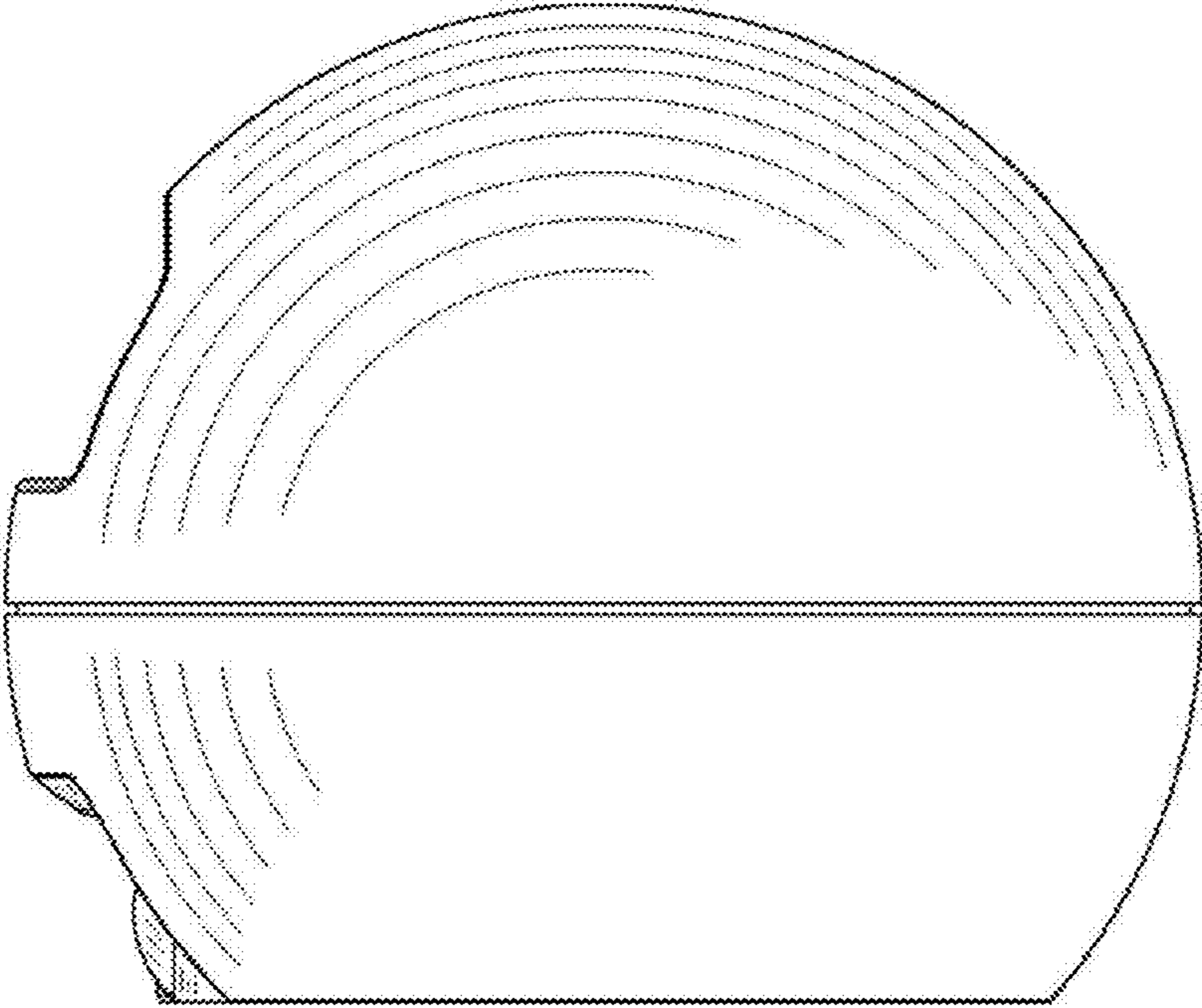


FIG. 4



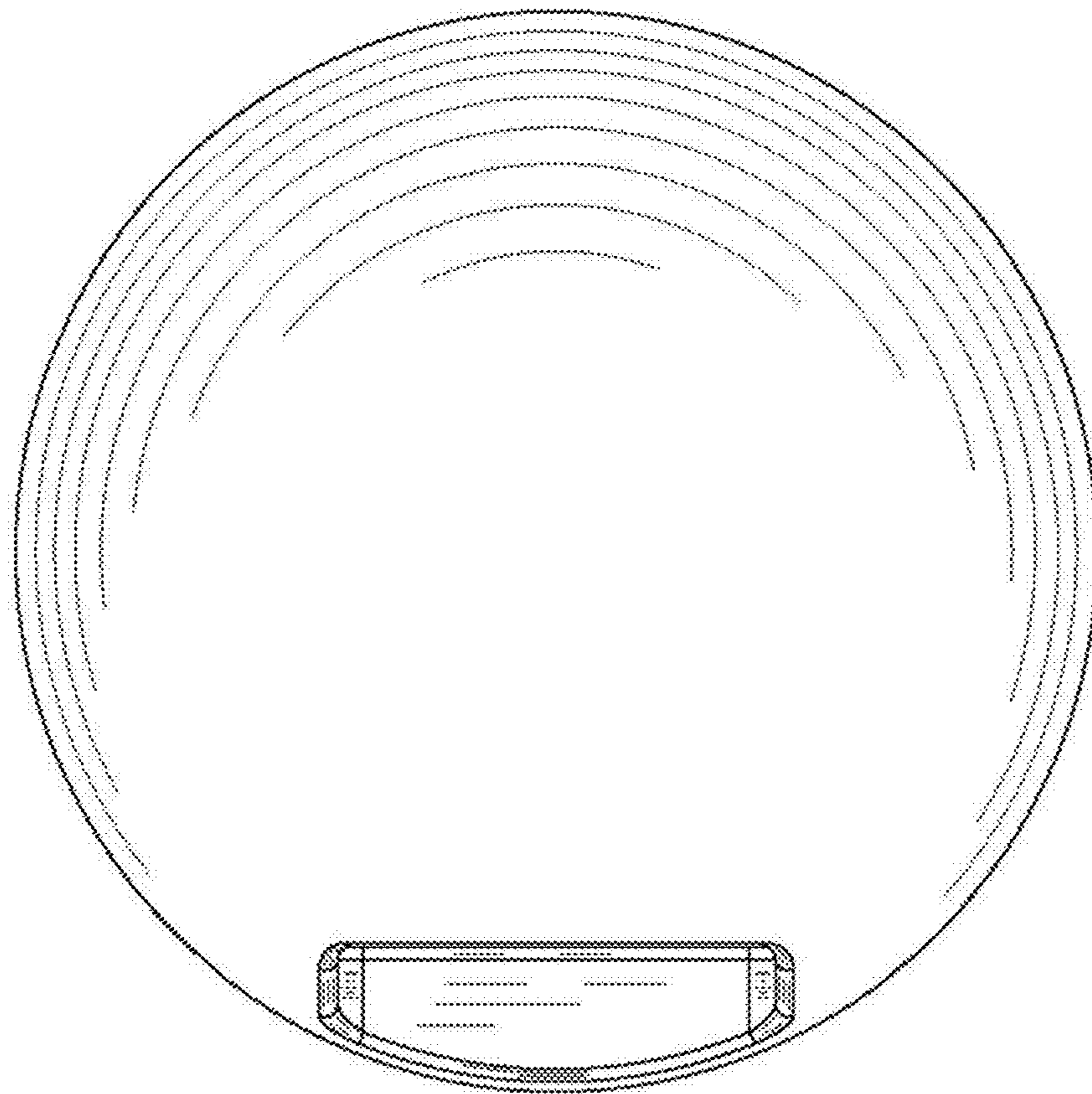


FIG. 5

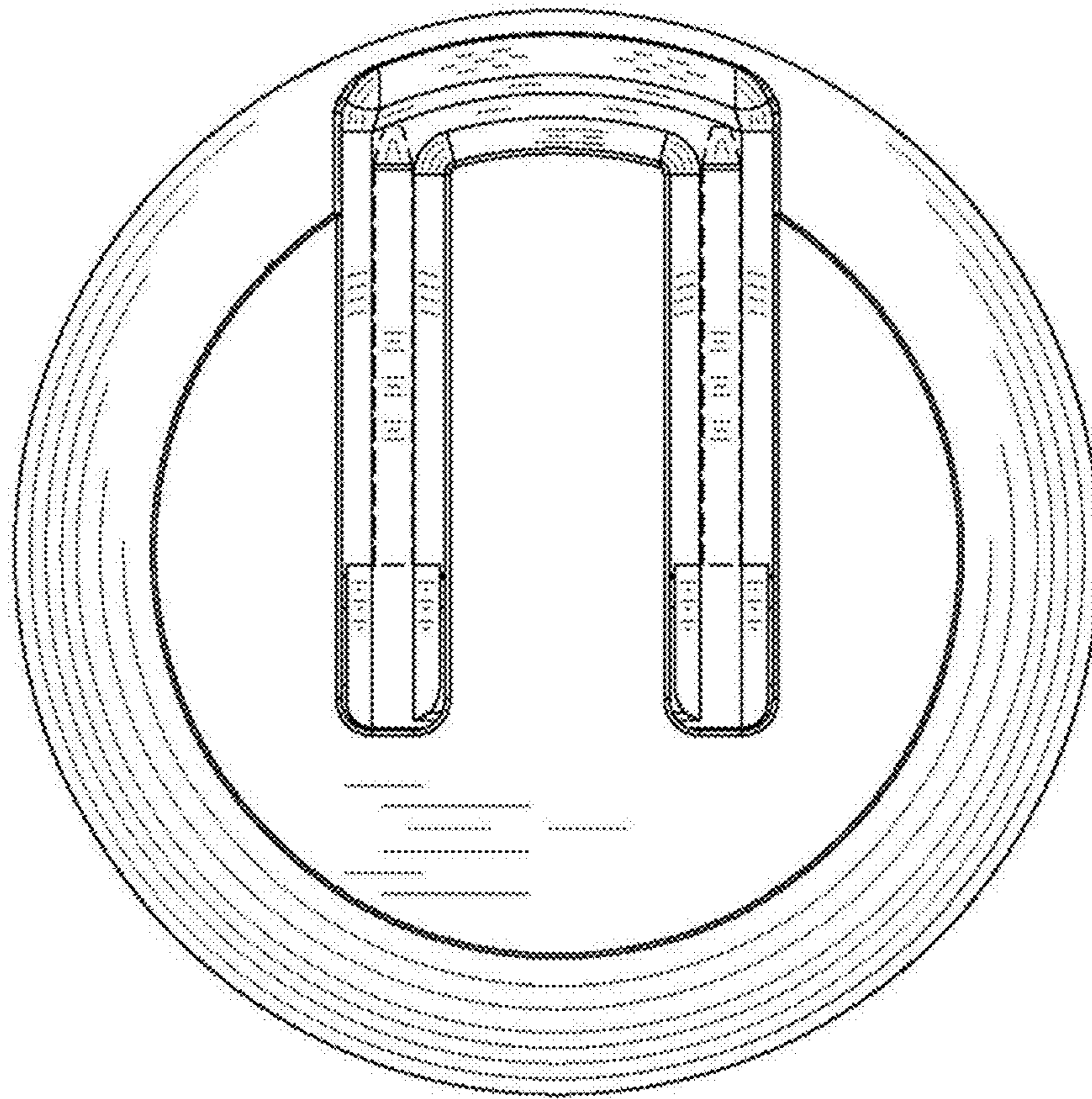


FIG. 6

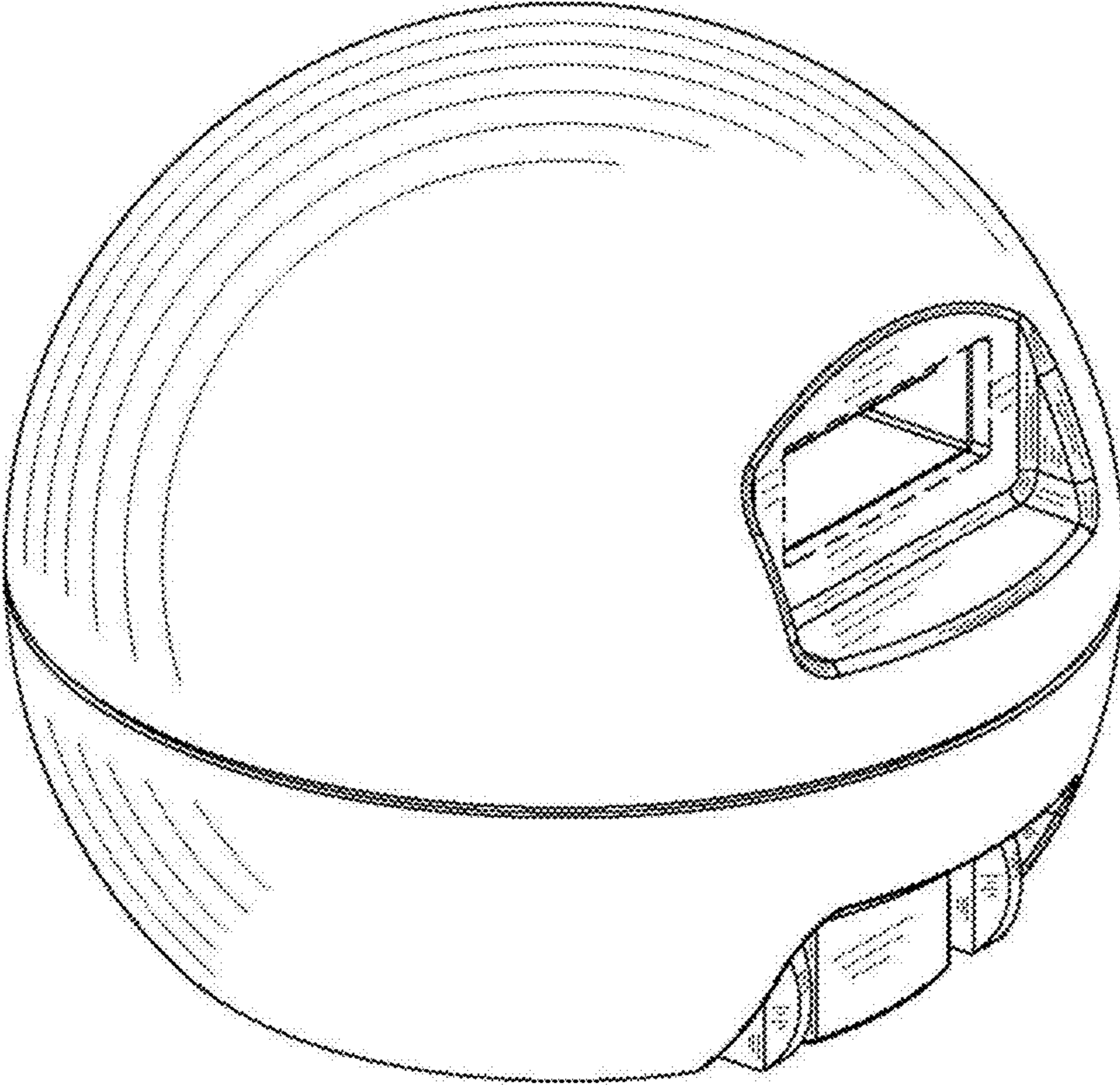


FIG. 7