

US00D699673S

(12) **United States Design Patent**
Rabalais et al.

(10) **Patent No.:** **US D699,673 S**
(45) **Date of Patent:** **** Feb. 18, 2014**

(54) **BATTERY CHARGER**

(71) Applicant: **The Gillette Company**, Boston, MA (US)

(72) Inventors: **Brian Adam Rabalais**, New Milford, CT (US); **Aaron William Arbesman**, Newtown, CT (US); **Eric Justin Price**, Wilton, CT (US); **Maria Dora Lalli**, Portland, OR (US); **Chunshik Kim**, Portland, OR (US); **Henry Young Chin**, Portland, OR (US); **Sara Berit Margarita Berggren**, Portland, OR (US); **Chen Jian**, ShenZhen (CN); **Zhang Yun**, ShenZhen (CN)

(73) Assignee: **The Gillette Company**, Boston, MA (US)

(**) Term: **14 Years**

(21) Appl. No.: **29/437,077**

(22) Filed: **Nov. 13, 2012**

Related U.S. Application Data

(63) Continuation of application No. 29/432,576, filed on Sep. 17, 2012, now Pat. No. Des. 687,771.

(51) **LOC (10) Cl.** **13-02**

(52) **U.S. Cl.**
USPC **D13/107**

(58) **Field of Classification Search**
USPC D13/107-110, 118-119, 184, 199;
D14/217, 251, 253, 432, 434;
320/107-115

See application file for complete search history.

(56) **References Cited**

U.S. PATENT DOCUMENTS

D331,220 S * 11/1992 Tsuchiya D13/107
D339,563 S * 9/1993 Usami D13/107

D348,427 S * 7/1994 Ohmaki et al. D13/107
D442,544 S * 5/2001 Ku D13/107
D501,824 S * 2/2005 Ku D13/107
6,876,172 B2 * 4/2005 Lam et al. 320/110
D513,731 S * 1/2006 Kang et al. D13/107
D562,231 S * 2/2008 Osiecki et al. D13/107
D565,506 S * 4/2008 Sacco et al. D13/107
D572,655 S * 7/2008 Osiecki et al. D13/107
D575,729 S * 8/2008 Nomi et al. D13/107
D605,112 S * 12/2009 Chang D13/107
D605,587 S * 12/2009 Nomi et al. D13/107
D623,129 S * 9/2010 Kawakami et al. D13/107
D650,328 S * 12/2011 Fitch et al. D13/107
D659,089 S * 5/2012 Dong D13/107
D660,227 S * 5/2012 Rodbro D13/107
D687,771 S * 8/2013 Rabalais et al. D13/107
D689,818 S * 9/2013 Sasada D13/107
D695,214 S * 12/2013 Roberts et al. D13/107

* cited by examiner

Primary Examiner — Rosemary K Tarcza

(74) *Attorney, Agent, or Firm* — Leo J. White; Kevin C. Johnson; Steven W. Miller

(57) **CLAIM**

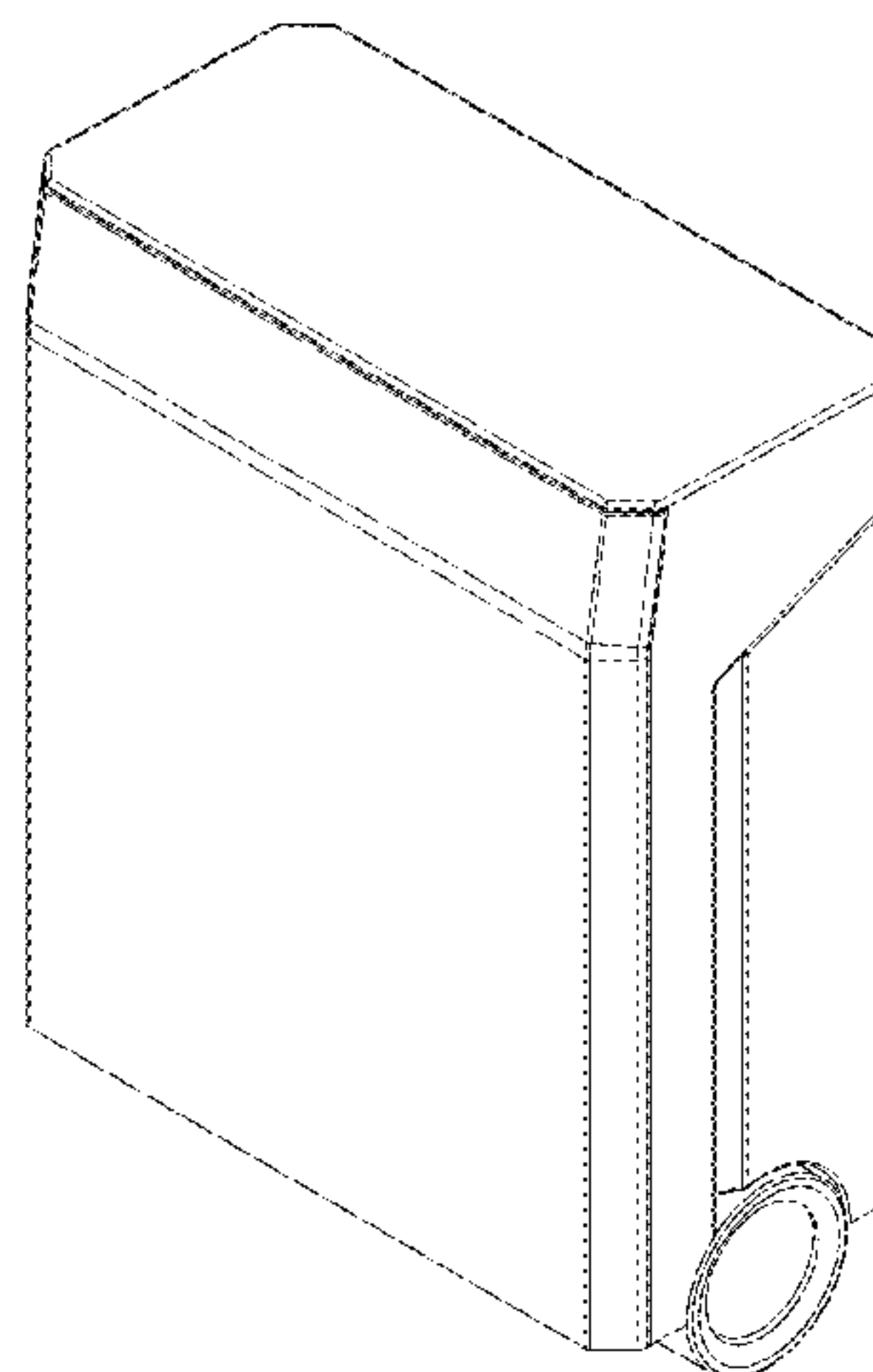
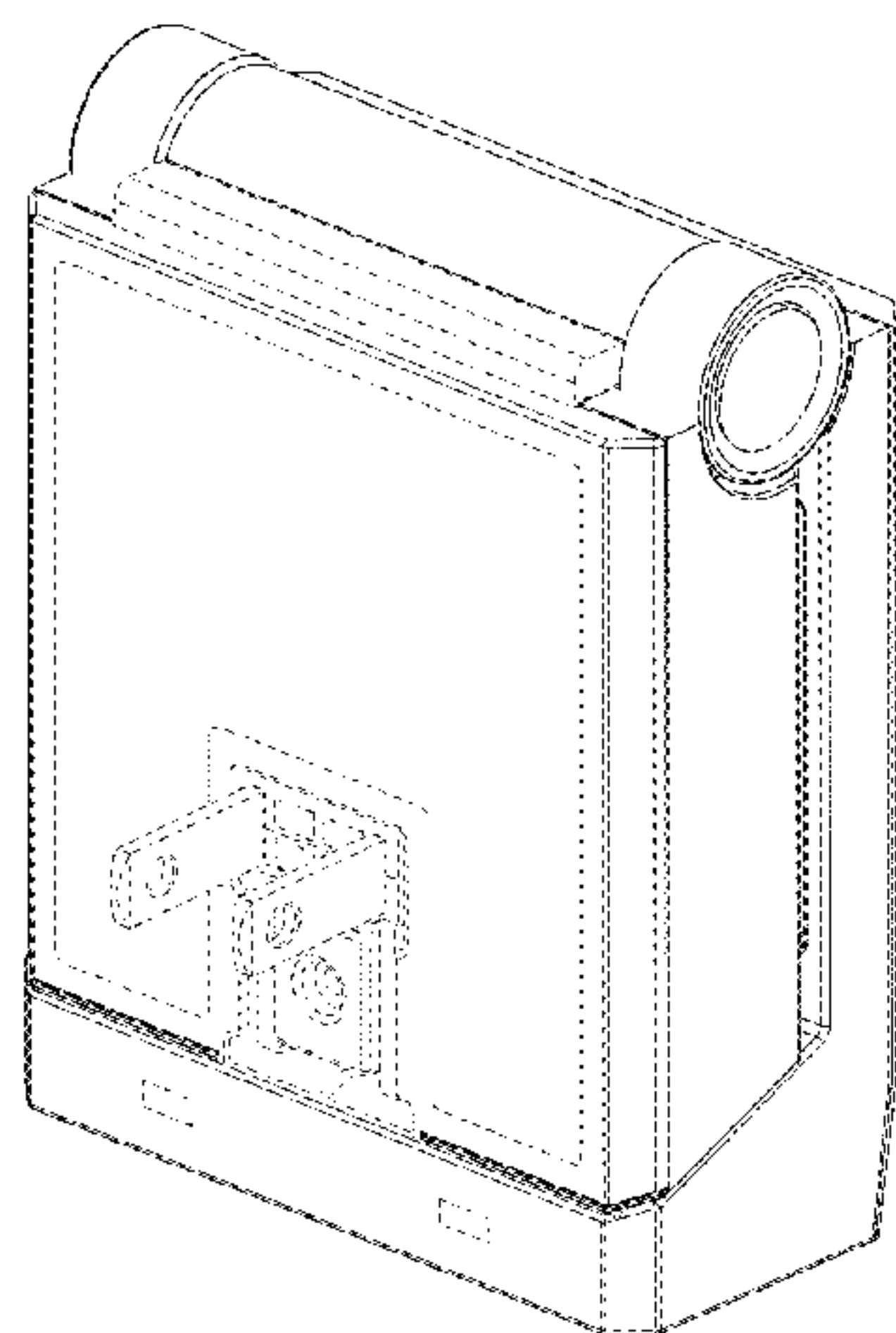
The ornamental design for a battery charger, as shown and described above.

DESCRIPTION

FIG. 1 is a perspective view of a design for a battery charger of the present invention;
FIG. 2 is another perspective view thereof;
FIG. 3 is a back view thereof;
FIG. 4 is a front view thereof;
FIG. 5 is a bottom view thereof;
FIG. 6 is a top thereof;
FIG. 7 is a right side view thereof; and,
FIG. 8 is a left side view thereof.

The broken lines shown in the drawings are included for the purpose of illustrating environmental structure and form no part of the claimed design.

1 Claim, 3 Drawing Sheets



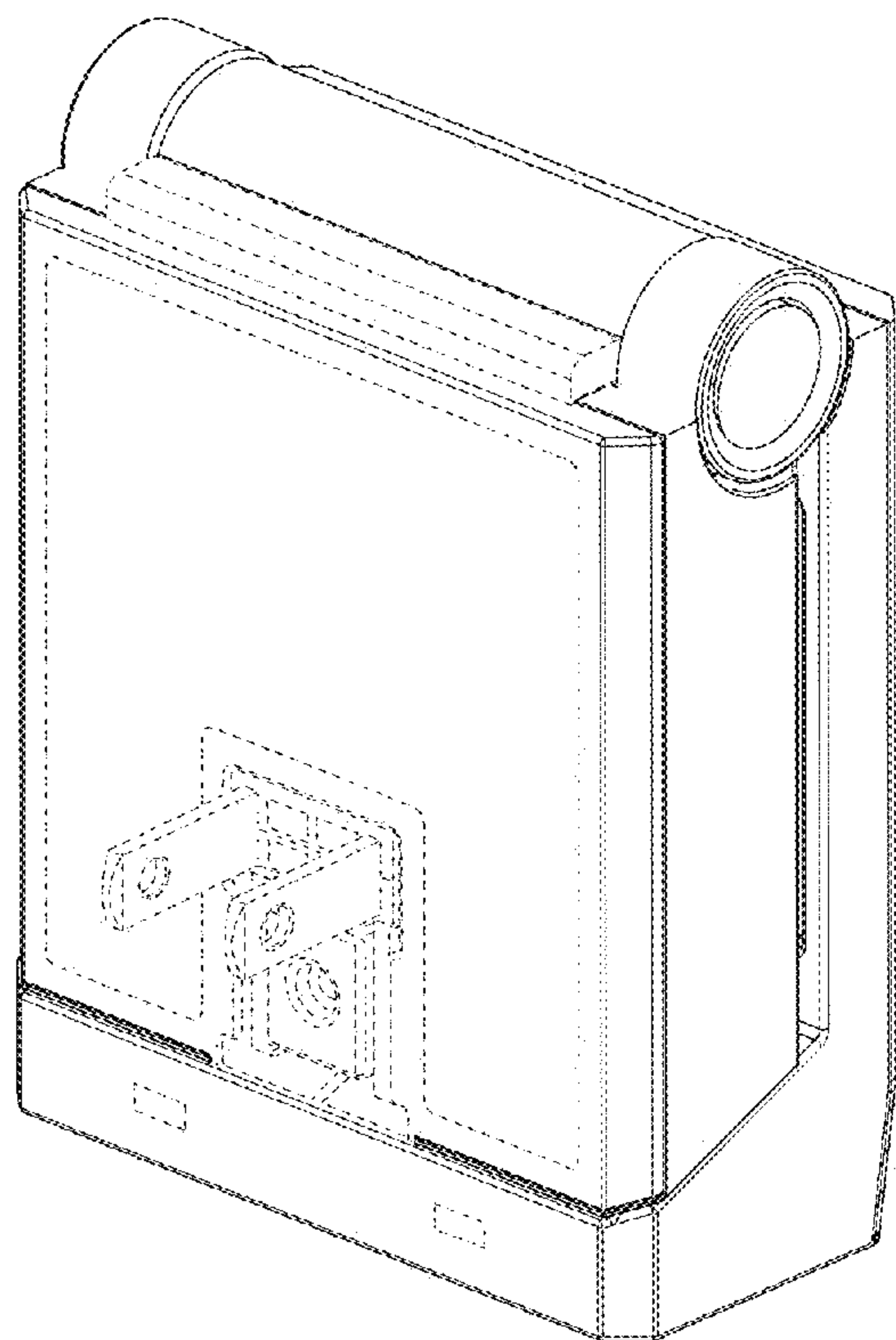


Fig. 1

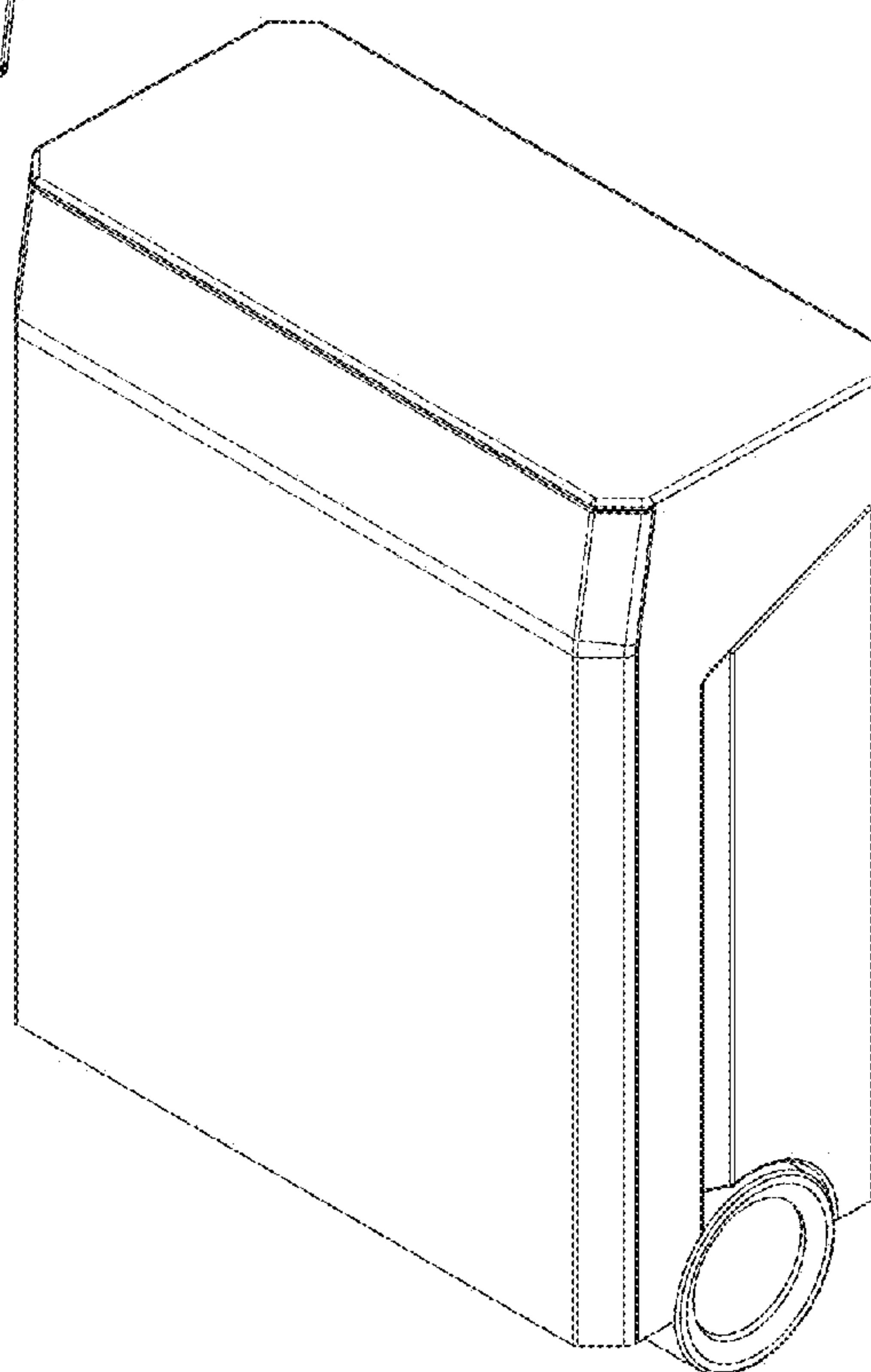


Fig. 2

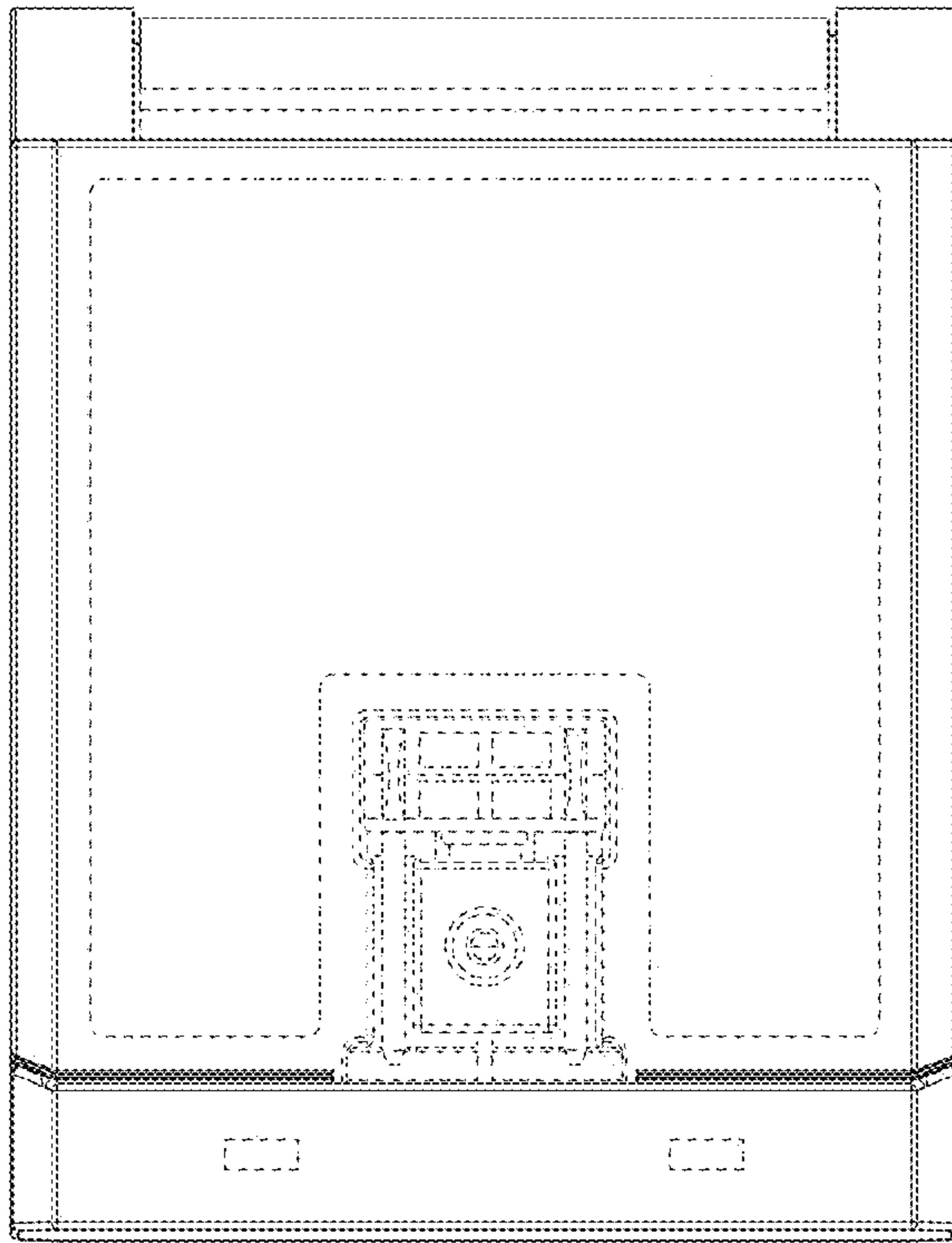


Fig. 3

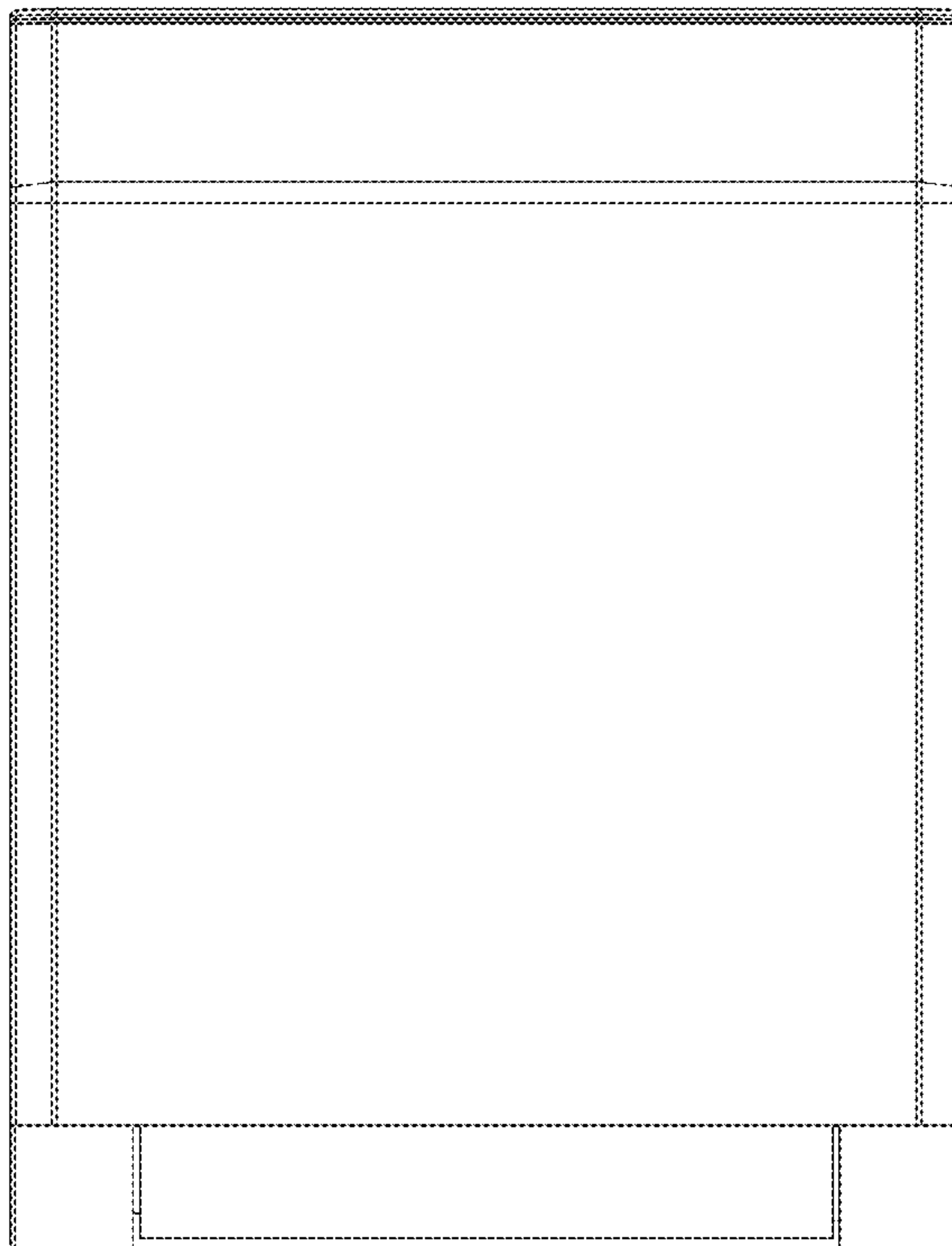


Fig. 4

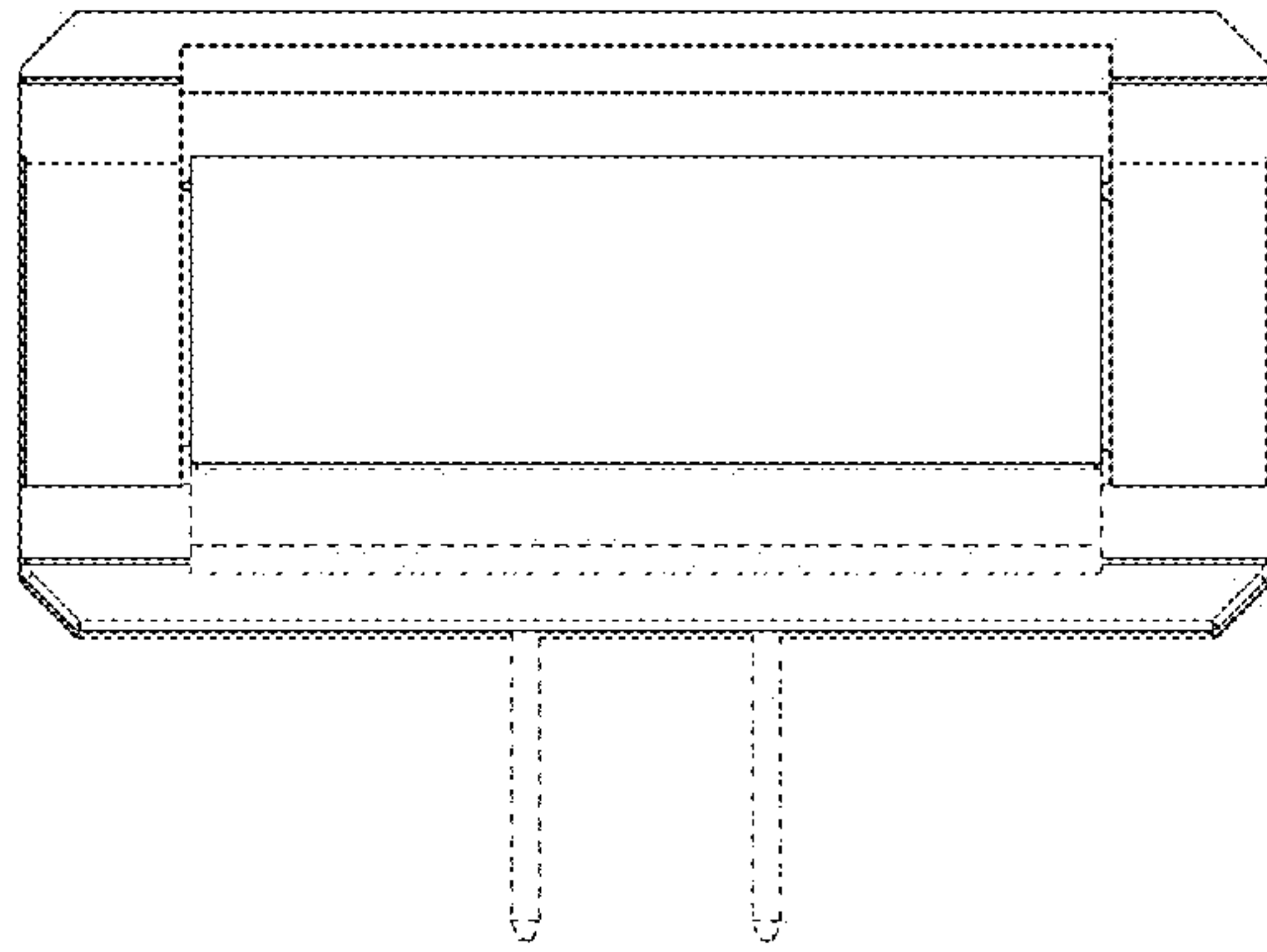


Fig. 5

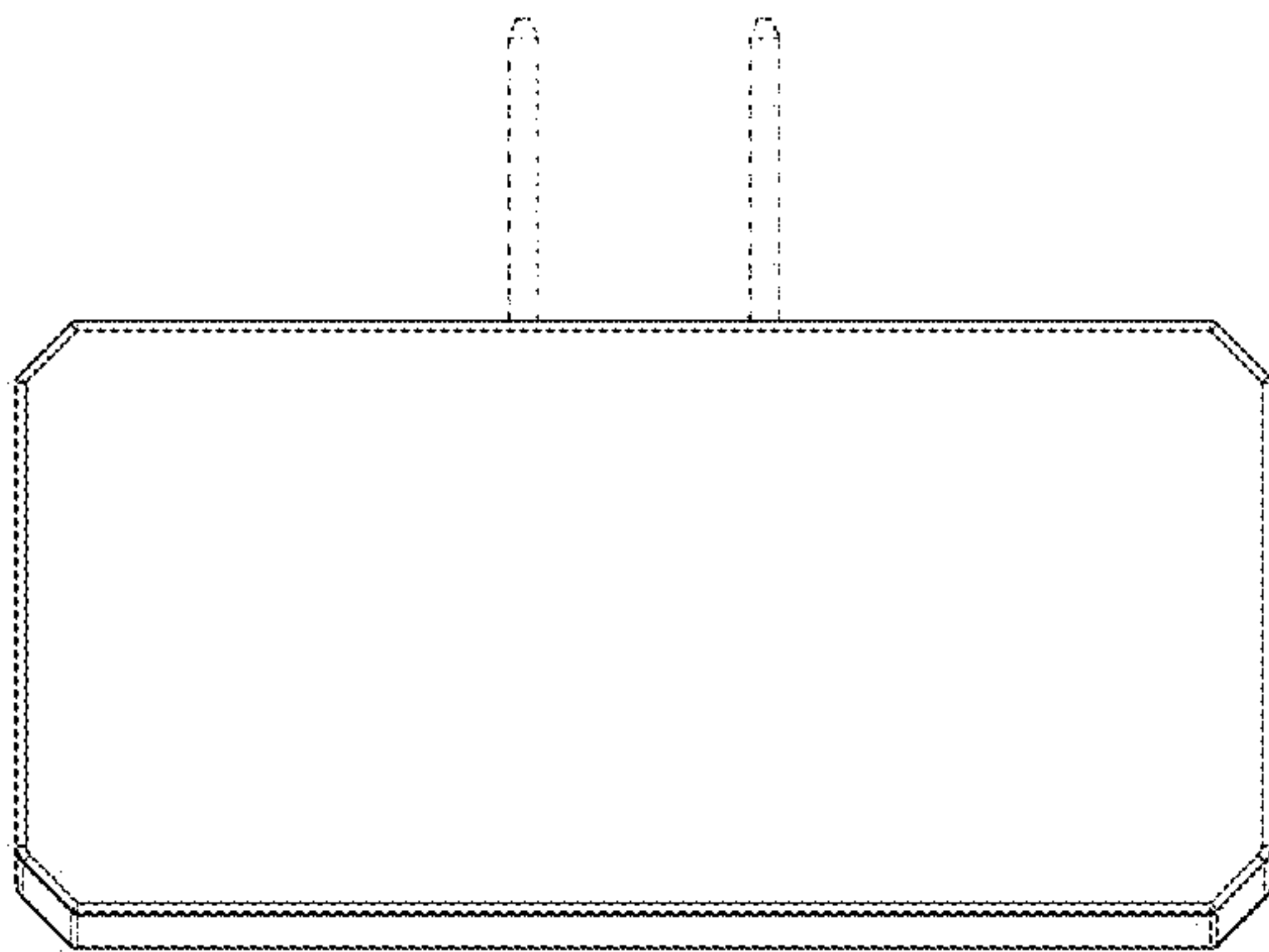


Fig. 6

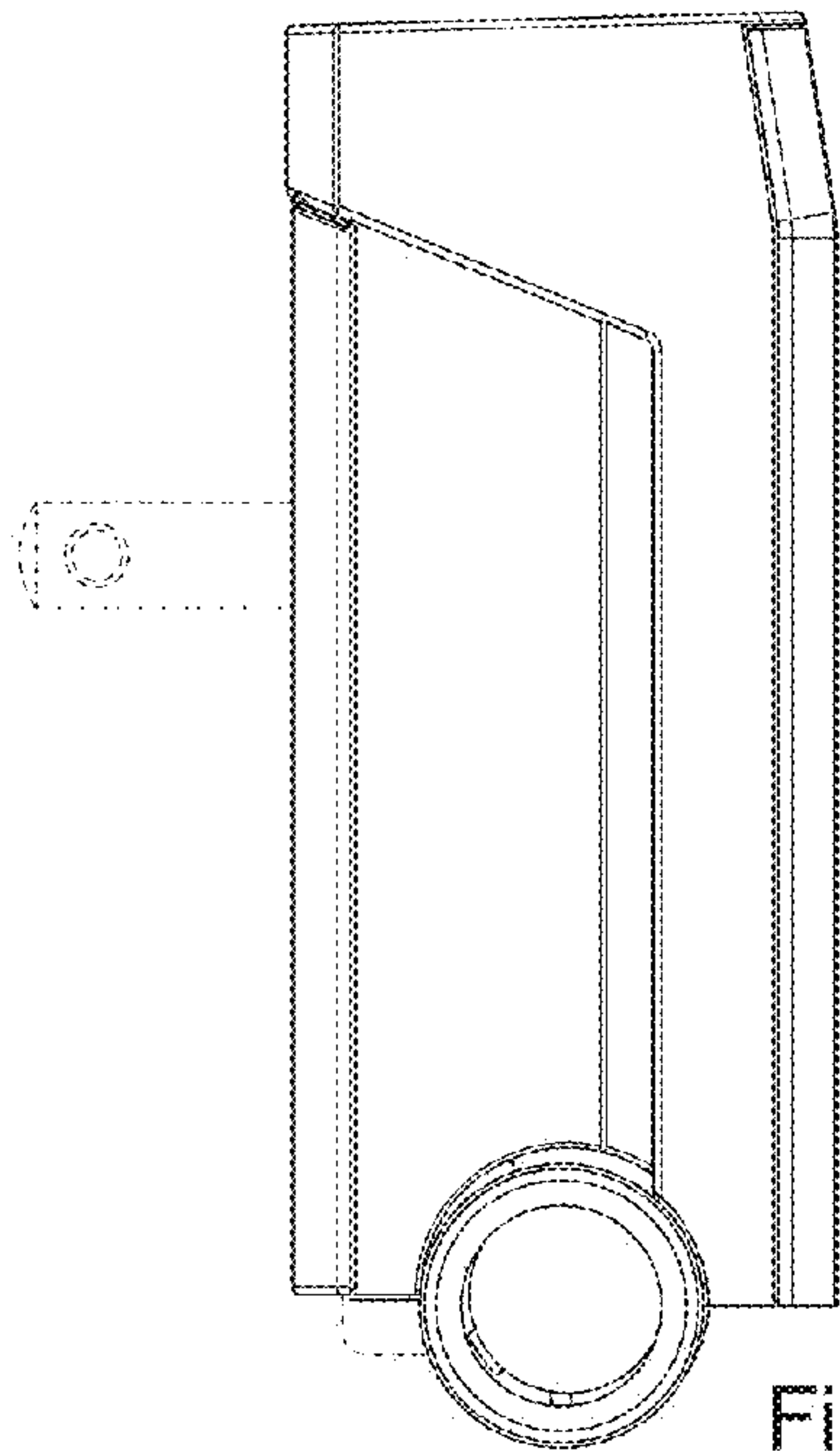


Fig. 7

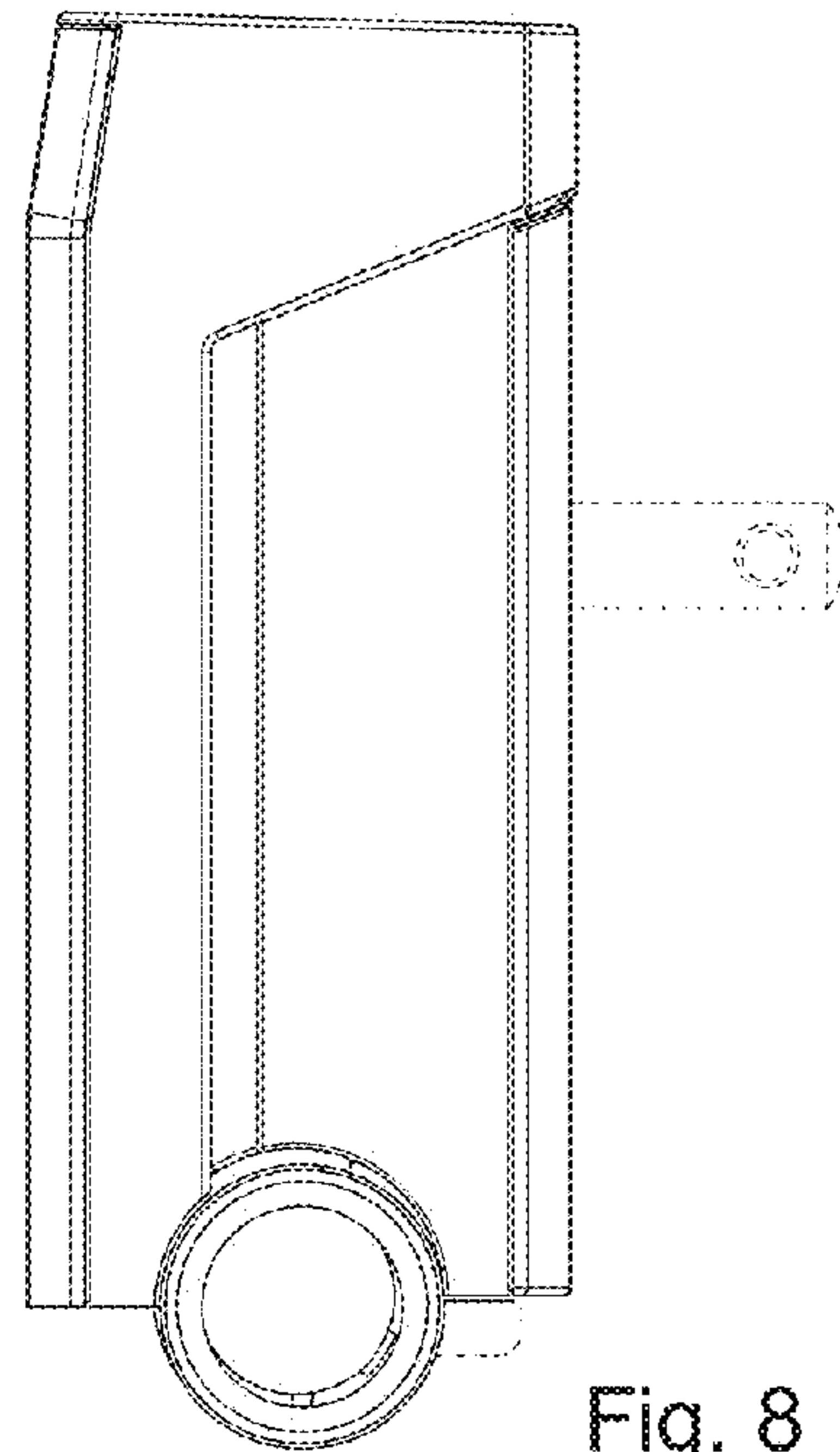


Fig. 8